

Submittal Data: CROWN18HP230V1A 18,000 BTU/H Wall Mounted Heat- Pump System

Job Name _____ Location _____ Date _____

Purchaser _____ Engineer _____

Submitted To _____ For Reference Approval Construction

Unit Designation _____ Schedule No. _____

GENERAL FEATURES

- Variable Speed (Inverter) Two-Stage Compressor
- Low Ambient Heating (down to -22° F)
- Wi Fi Controls
- 7 Indoor Fan Speeds
- 4 Way Airflow Operation
- Wireless Remote with LCD Display
- I-FEEL Function
- 5 year Limited Parts Warranty
- 7 year Limited Compressor Warranty



System Ratings Indoor Unit Data

Cooling

Rated Capacity 18,000 BTU/H

Capacity Range 4,436 -21,496 BTU/H

Power Input (Max) 2,400 W

Dehumidification 3.80 pt/hr

SEER 21.0

EER 12.5

Fan Motor Type Cross-flow

Output Power 20 W

FLA 0.2 A

Airflow (Low/High) 324/530 CFM

Air Throw (Max) 29.5 ft

Sound Pressure Level

Cooling (Low/High) 26/48 db(A)

Heating (Low/High) 26/48 db(A)

Dehumidification 3.80 pt/hr

Heating at 47° F

Rated Capacity 19,000 BTU/H

Capacity Range 3,753 -24,566 BTU/H

Power Input (Max) 2,500 W

HSPF 10.5

COP 3.1

Outdoor Unit Data

Heating at 17° F

Rated Capacity 12,700 BTU/H

Capacity (Max) 19,390 BTU/H

Power Input (Max) 1,973 W

COP 2.1

Compressor Type DC Inverter Driven 2-Stage Rotary

FLA 14.5A

Fan Motor Output Power 90 W

FLA 0.65 A

Sound Pressure 59 db(A)

Operating Range

Cooling	(Max)	129°F (54 C)
	(Min)	0°F (-18 C)
Heating	(Max)	75°F (24 C)
	(Min)	-22°F (-30 C)

Refrigerant Piping Data

Gas Pipe Size (OD) 5/8-in

Liquid Pipe Size (OD) 1/4-in

Connection Method Flared

Factory Charge R410a/70.6 oz

Additional Charge 0.54 oz /ft

Pre-Charge Length 25-ft

Max Refrigerant Pipe Length 82-ft

Min Refrigerant Pipe Length 10-ft

Min Refrigerant Pipe Height Difference 33-ft

Power Supply

Normal Operational Voltage 208/230 V, 1 Phase, 60 Hz

Voltage Range 187 - 253 V

Main Power Wire Size 10-2 AWG

Interconnecting Cable Wire Size 14-4 AWG

MCA 19 A

MOCP/Breaker Size 30 A



COOLING PERFORMANCE (BtuH)*

Outdoor Ambient Temperature (DB)	Indoor Entering Air Temperatures							
	65°F DB		68°F DB		73°F DB		79°F DB	
	55°F WB		57°F WB		61°F WB		64°F WB	
	TC	SHC	TC	SHC	TC	SHC	TC	SHC
5°F	9,980	7,820	10,900	8,550	11,540	9,050	12,370	9,720
14°F	10,480	8,220	11,480	9,010	12,130	9,510	12,950	10,160
23°F	11,710	9,180	12,580	9,870	13,460	10,560	14,330	11,240
32°F	12,330	9,680	13,250	10,400	14,180	11,120	15,090	11,830
41°F	12,950	10,170	13,920	10,920	14,890	11,680	15,800	12,430
50°F	13,580	10,660	14,590	11,450	15,610	12,240	16,500	13,030
59°F	14,200	11,130	15,260	11,970	16,320	12,800	17,380	13,630
68°F	16,200	12,710	17,280	13,550	18,360	14,400	19,080	14,960
77°F	15,990	12,540	17,080	13,390	18,160	14,250	18,900	14,820
86°F	15,160	11,890	16,240	12,730	17,320	13,580	18,180	14,260
95°F	14,300	11,210	15,370	12,050	16,440	12,890	17,510	13,740
104°F	13,550	10,620	14,620	11,470	15,690	12,310	16,760	13,150
113°F	12,800	10,040	13,870	10,880	14,940	11,720	16,010	12,560
122°F	12,420	9,740	13,500	10,590	14,400	11,290	15,480	12,140

HEATING PERFORMANCE (BtuH)*

Outdoor Ambient Temperature (DB)	Indoor Entering Air Temperatures							
	65°F DB		68°F DB		73°F DB		79°F DB	
	55°F WB		57°F WB		61°F WB		64°F WB	
	TC	SHC	TC	SHC	TC	SHC	TC	SHC
-22°F	15,990	15,990	15,510	15,510	15,350	15,350	15,200	15,200
-4°F	17,790	17,790	17,250	17,250	17,080	17,080	16,910	16,910
0°F	19,190	19,190	18,610	18,610	18,420	18,420	18,240	18,240
6°F	19,990	19,990	19,390	19,390	19,190	19,190	19,000	19,000
10°F	19,990	19,990	19,390	19,390	19,190	19,190	19,000	19,000
16°F	19,990	19,990	19,390	19,390	19,190	19,190	19,000	19,000
19°F	19,990	19,990	19,390	19,390	19,190	19,190	19,000	19,000
24°F	19,990	19,990	19,390	19,390	19,190	19,190	19,000	19,000
32°F	19,990	19,990	19,390	19,390	19,190	19,190	19,000	19,000
41°F	19,990	19,990	19,390	19,390	19,190	19,190	19,000	19,000
43°F	19,990	19,990	19,390	19,390	19,190	19,190	19,000	19,000
47°F	19,990	19,990	19,390	19,390	19,190	19,190	19,000	19,000
53°F	20,190	20,190	19,580	19,580	19,380	19,380	19,190	19,190
59°F	20,650	20,650	20,030	20,030	19,830	19,830	19,630	19,630
64°F	21,090	21,090	20,450	20,450	20,250	20,250	20,050	20,050
70°F	21,490	21,490	20,840	20,840	20,630	20,630	20,430	20,430
75°F	21,790	21,790	21,130	21,130	20,920	20,920	20,710	20,710
78°F	21,990	21,990	21,330	21,330	21,110	21,110	20,900	20,900

* Maximum system capacity

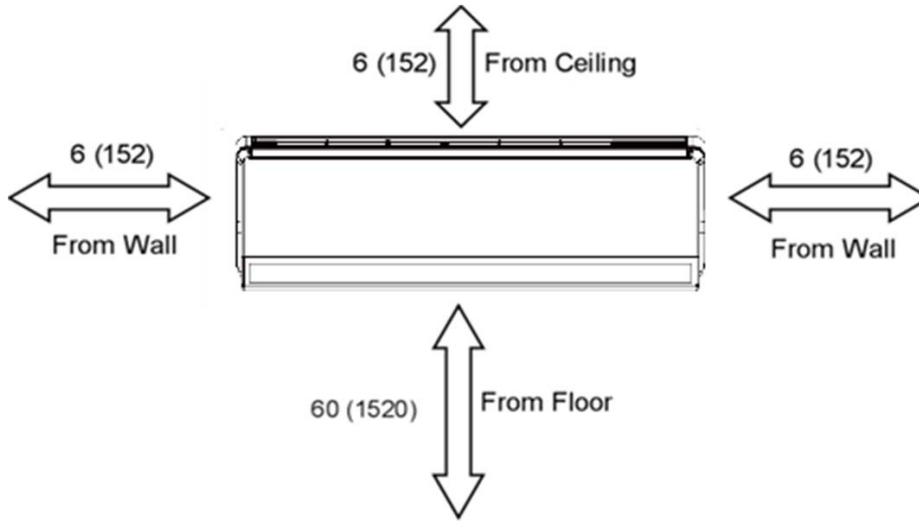
TC- Total Capacity (BtuH)
 SHC- Sensible Capacity (BtuH)



MINIMUM SPACING REQUIREMENTS

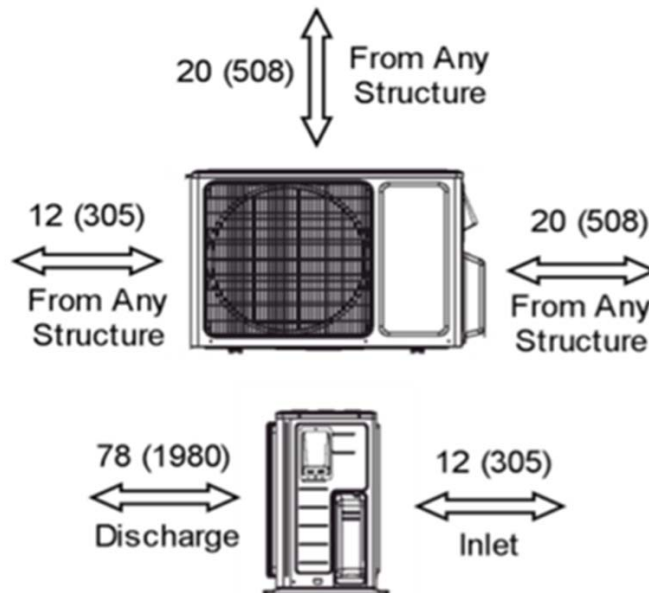
Units: inch (mm)

INDOOR



Units: inch (mm)

OUTDOOR



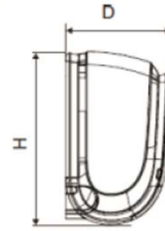
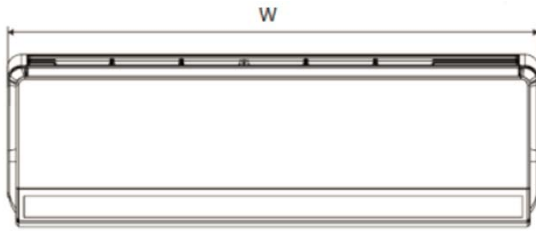
DIMENSIONAL SPECIFICATIONS

CROWN18HP230V1A

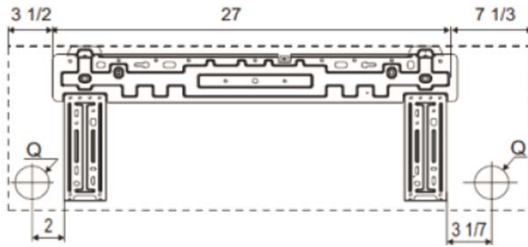
INDOOR UNIT DIMENSIONS

Units: inch

Model No: CROWN18HP230V1AH



Dimensions	
W	37.8
H	12.6
D	8.0



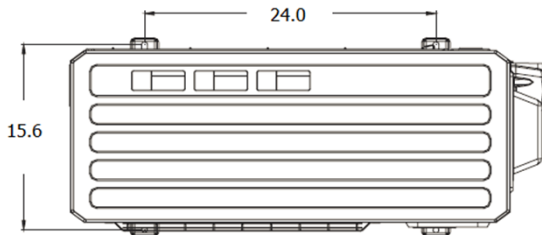
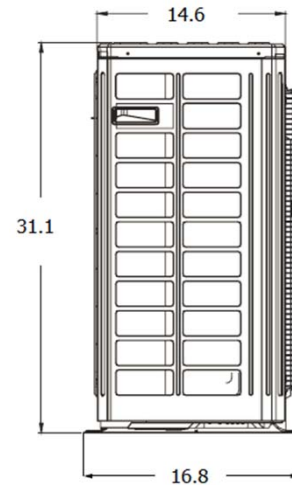
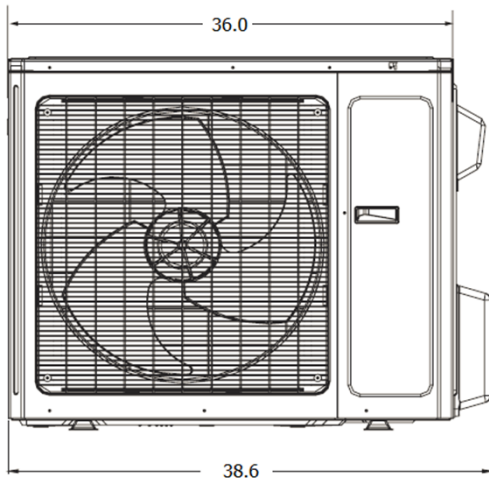
Weight (Net/Shipping) 31/37 LBS

Liquid Line Valve	1/4-in OD Flared
Gas Line Valve	5/8-in OD Flared
Drain Connector	5/8-in OD

OUTDOOR UNIT DIMENSIONS

Units: inch

Model No: CROWN18HP230V1AO



Liquid Line Valve	1/4-in OD Flared
Gas Line Valve	5/8-in OD Flared

Weight (Net/Shipping) 141/152 LBS

Notes:

1. Recommended Interconnecting Cable Type 14 AWG 4 Stranded Bare Copper Conductors THHN 600V Wire
2. Power wiring cable size must comply with applicable national and local codes.
3. Test conditions are based on AHRI 210/240.



Specifications are subject to change without notice. Manufacturer reserves the right to discontinue or modify specifications or designs without notice or without incurring obligations. All rights reserved.