

Submittal Data: 7,000 to 15,000 BTU/H 208/230V Cooling with Electric Heat Models

Job Name	Location	Date
Purchaser	Engineer	
Submitted To	For	<input type="checkbox"/> Reference <input type="checkbox"/> Approval <input type="checkbox"/> Construction
Unit Designation	Schedule No.	

GENERAL FEATURES

- Standard Size (42-in x 16-in)
- IR Remote Control
- Wall Thermostat Interface
- LCDI Power Cord
- Condensate Slinger Ring Disposal
- Fresh Air Ventilation up to 60 CFM
- Dry Mode
- 5 year Limited Warranty**



Performance Specifications

MODEL NUMBER	CAPACITY (Btuh)		HEATER KW	EER	DEHUMID-IFICATION (Pints/Hr)	SENSIBLE HEAT FACTOR	INDOOR FAN CFM (Hi Speed)	
	Cooling	Heating						
		Rev. Cycle						Electric
ETAC-07HC230V15A-A	7,600/7,700	N/A	5,200/6,800	1.6/2.0	12.2/12.0	1.7	84%	280/294
ETAC-07HC230V20A-A	7,600/7,700	N/A	8,300/10,200	2.4/3.0	12.2/12.0	1.7	84%	280/294
ETAC-09HC230V15A-A	8,800/9,000	N/A	5,200/6,800	1.6/2.0	11.4/11.3	2.1	81%	280/312
ETAC-09HC230V20A-A	8,800/9,000	N/A	8,300/10,200	2.4/3.0	11.4/11.3	2.1	81%	280/312
ETAC-12HC230V15A-A	11,800/12,000	N/A	5,200/6,800	1.6/2.0	10.5/10.7	2.7	67%	290/330
ETAC-12HC230V20A-A	11,800/12,000	N/A	8,300/10,200	2.4/3.0	10.5/10.7	2.7	67%	290/330
ETAC-12HC230V30A-A	11,800/12,000	N/A	13,900/17,000	4.1/5.0	10.5/10.7	2.7	67%	290/330
ETAC-15HC230V20A-A	14,600/15,000	N/A	8,300/10,200	2.4/3.0	9.7/9.8	3.5	65%	320/340
ETAC-15HC230V30A-A	14,600/15,000	N/A	13,900/17,000	4.1/5.0	9.7/9.8	3.5	65%	320/340

Electrical Specifications

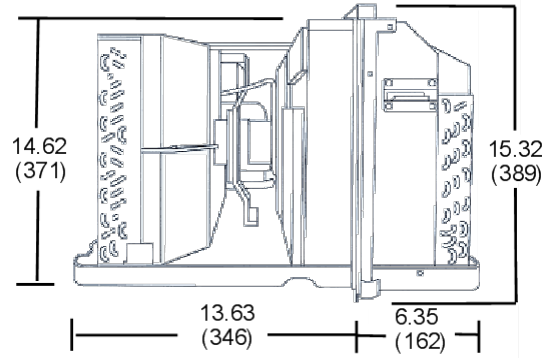
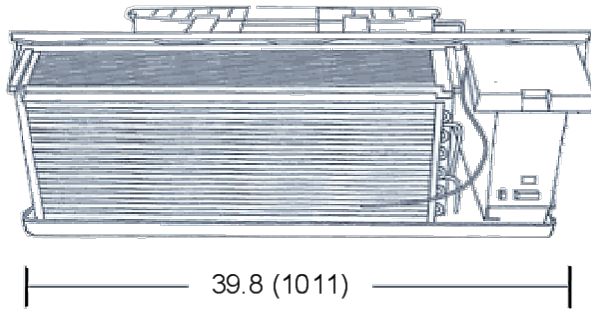
MODEL NUMBER	VOLTAGE RANGE	INPUT POWER (WATTS)		CURRENT (AMPS)		MAX FUSE SIZE (Amps)	MIN. CIRCUIT AMP	RECEPTACLE CONFIG
		Cooling	Heating	Cooling	Heating**			
ETAC-07HC230V15A-A	187-253	620/640	1,635/2,000	3.1/2.8	7.9/8.9	15	11.1	NEMA 6-15R
ETAC-07HC230V20A-A	187-253	620/640	2,452/3,000	3.1/2.8	12.2/13.2	20	16.5	NEMA 6-15R
ETAC-09HC230V15A-A	187-253	770/800	1,635/2,000	3.9/3.7	7.9/8.9	15	11.1	NEMA 6-15R
ETAC-09HC230V20A-A	187-253	770/800	2,452/3,000	3.9/3.7	12.2/13.2	20	16.5	NEMA 6-15R
ETAC-12HC230V15A-A	187-253	1,120/1,120	1,635/2,000	5.7/5.1	7.9/8.9	15	11.1	NEMA 6-15R
ETAC-12HC230V20A-A	187-253	1,120/1,120	2,452/3,000	5.7/5.1	12.2/13.2	20	16.5	NEMA 6-15R
ETAC-12HC230V30A-A	187-253	1,120/1,120	4,087/5,000	5.7/5.1	20.5/21.5	30	27.2	NEMA 6-15R
ETAC-15HC230V20A-A	187-253	1,510/1,530	2,452/3,000	7.5/6.7	12.2/13.2	20	16.5	NEMA 6-15R
ETAC-15HC230V30A-A	187-253	1,510/1,530	4,087/5,000	7.5/6.7	20.5/21.5	30	27.2	NEMA 6-15R

**Electric resistance heater power and fan motor power.



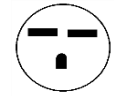
DIMENSIONAL SPECIFICATIONS

Units: inch (mm)

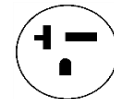


MODEL NUMBER	VOLTAGE	ELECTRIC HEATER	RECEPTACLE TYPE
ETAC-07HC230V15A-A	208/230V	2KW	A
ETAC-07HC230V20A-A	208/230V	3KW	B
ETAC-09HC230V15A-A	208/230V	2KW	A
ETAC-09HC230V20A-A	208/230V	3KW	B
ETAC-12HC230V15A-A	208/230V	2KW	A
ETAC-12HC230V20A-A	208/230V	3KW	B
ETAC-12HC230V30A-A	208/230V	5KW	C
ETAC-15HC230V20A-A	208/230V	3KW	B
ETAC-15HC230V30A-A	208/230V	5KW	C

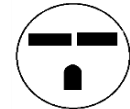
Receptacle Configurations



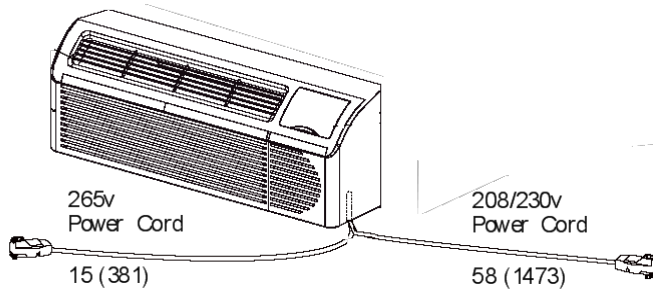
A



B



C



Units: inch (mm)

Accessories:

SLEEVE-INSUL-1PK	Wall Sleeve Polymer Insulated (42x16x14)
GRILLE-ALU-CLEAR	Aluminum Architectural Rear Grille Clear
GRILLE-PLA-BEIGE	Polymer Architectural Rear Grille Beige
GRILLE-ALU-STAMP	Stamped Aluminum Grille 42 x 16 Clear
DRAIN-KIT-1PK	Condensate Drain Kit 1 per pack
PTAC-SUBBASE-A	Universal Subbase
TT-N-631W	Digital wireless wall thermostat
LATERAL-DUCT	Heat & cool two rooms with one ETAC unit

See ETAC
Product Catalog
For Additional
Accessories

Notes:

- Rated in accordance with ARI Standard 380-93.



Specifications are subject to change without notice. Manufacturer reserves the right to discontinue or modify specifications or designs without notice or without incurring obligations. All rights reserved.