

Submittal Data: MULTI24HP230V1AO 24,000 BTU/H Wall Mounted Heat- Pump System

Job Name _____ **Location** _____ **Date** _____

Purchaser _____ **Engineer** _____

Submitted To _____ **For** Reference Approval Construction

Unit Designation _____ **Schedule No.** _____

- GENERAL FEATURES**
- Up to 3 Indoor Units Comfort (3-Port)
 - G10 DC Inverter Technology
 - Quiet Operation - Both Indoor & Outdoor
 - Wireless Remote Controller
 - Optional Wired Remote Controller
 - Acrylic Resin / Anti-Corrosion Coil Coating
 - Intelligent Defrost
 - Auto Restart on Power Outages
 - Limited 7 yr Compressor & 5 yr Parts Warranty



AHRI Certified Ref No: 7084908

System Ratings

Cooling	
Rated Capacity	26,000 BTU/H
Capacity Range	7,500-33,000 BTU/H
Power Input (Max)	3,050 W
SEER	16
EER	8.2

Heating at 47° F	
Rated Capacity	29,000 BTU/H
Capacity Range	7,500-35,000 BTU/H
Input Power (Max)	2,800 W
HSPF	8.2
COP	3.0

Heating at 17° F	
Rated Capacity	17,000 BTU/H
Capacity (Max)	23,715 BTU/H

Operating Range			
Cooling	(Max)	118 ^{°F}	(48 C)
	(Min)	23 ^{°F}	(-5 C)
Heating	(Max)	80 ^{°F}	(27 C)
	(Min)	5 ^{°F}	(-15 C)

Power Supply	
Normal Operational Voltage	208/230 V, 1 Phase, 60 Hz
Voltage Range	187 - 253 V
Main Power Wire Size	10-2 AWG
Interconnecting Cable Wire Size	14-4 AWG
MCA	20.0 A
MOCP/Breaker Size	30 A

Outdoor Unit Data

Compressor	Type	DC Inverter Driven Rotary
	RLA	14.7A
Fan Motor	Output Power	60 W
	FLA	0.6 A
	Air Flow (Max)	1,530 CFM

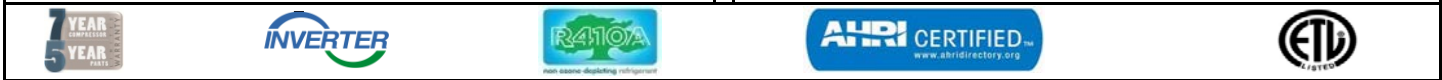
Sound Pressure	
Cooling	56 dB(A)
Heating	56 dB(A)

Dimensions & Weights	
Unit Dimensions (LxHxD)	37.2 x 27.6 x 15.6 -in
Weight (Net/Shipping)	134/146 LBS

Min. Number of Indoor Units	2
Max. Number of Indoor Units	3

Refrigerant Piping Data

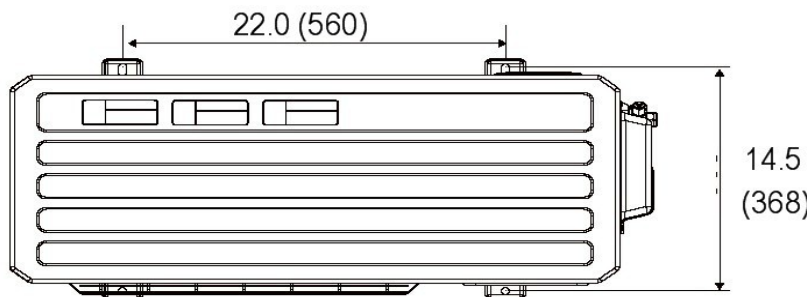
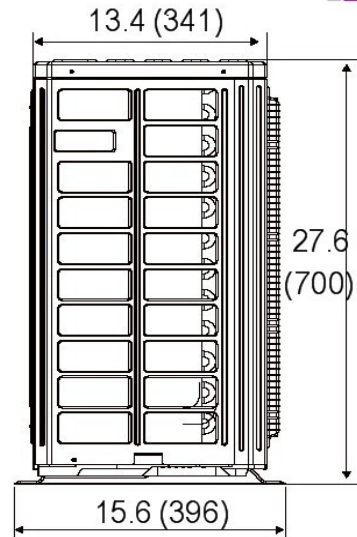
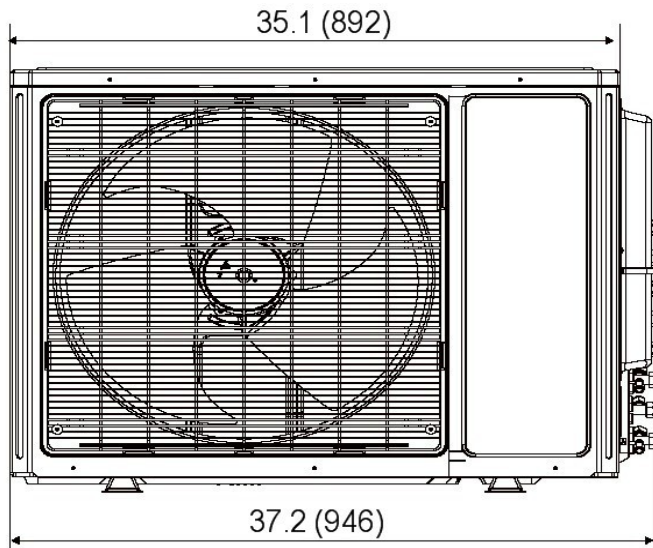
Connection Method	Flared
Refrigerant Type	R410A
Factory Charge for Total Line Length	98-ft
Additional Charge Per Line Length	0.2-oz/ft
Total Refrigerant Pipe Length	230-ft
Max Refrigerant Piping Length to any Indoor Unit	66-ft
Min Refrigerant Piping Length to any Indoor Unit	10-ft
Max Elevation between Indoor Units	33-ft
Max Lift from Outdoor to Indoor Unit	66-ft
Max Drop from Outdoor to Indoor Unit	66-ft



Units: inch (mm)

24,000 BTUH MODEL

Model # MULTI24HP230V1AO 24,000 BTUH 230V



Suction/Gas Line Port Size

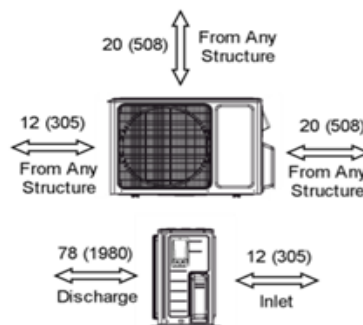
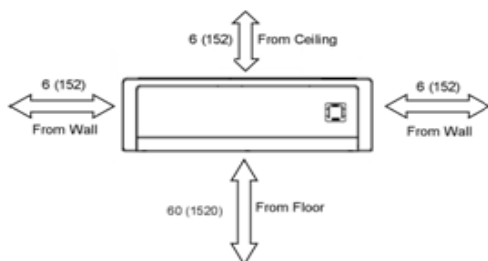
Port #1	3/8-in OD Flared
Port #2	3/8-in OD Flared
Port #3	3/8-in OD Flared

Liquid Line Port Size

Port #1	1/4-in OD Flared
Port #2	1/4-in OD Flared
Port #3	1/4-in OD Flared

MINIMUM SPACING REQUIREMENTS

Units: inch (mm)



Notes:

1. Recommended Interconnecting Cable Type Stranded Bare Copper Conductors THHN 600V Unshielded Wire
2. Power wiring cable size must comply with applicable national and local codes.
3. Test conditions are based on AHRI 210/240.

Specifications are subject to change without notice. Manufacturer reserves the right to discontinue or modify specifications or designs without notice or without incurring obligations. All rights reserved.



COOLING CAPACITY (BTUH)

Indoor Units Combinations	Rated System Capacity (BtuH)	Capacity Rating (Min.~Max.) BtuH	Indoor Unit A (BtuH)	Indoor Unit B (BtuH)	Indoor Unit C (BtuH)	Indoor Unit D (BtuH)
9K+9K	18,000	6,824~26,600	9,000	9,000		
9K+12K	21,000	7,165~27,300	9,000	12,000		
12K+12K	24,000	7,200~30,000	12,000	12,000		
9K+18K	25,000	7,300~32,000	8,400	16,600		
12K+18K	25,000	7,400~32,500	10,000	15,000		
18K+18K	25,500	7,500~32,500	12,750	12,750		
9K+9K+9K	26,000	7,500~34,000	8,667	8,667	8,667	
9K+9K+12K	26,000	7,500~34,000	8,000	8,000	10,000	
9K+12K+12K	26,000	7,500~34,000	6,000	10,000	10,000	
9K+9K+18K	26,000	7,500~34,000	7,000	7,000	12,000	
12K+12K+12K	26,000	7,500~34,000	8,667	8,667	8,667	

HEATING CAPACITY (BTUH)

Indoor Units Combinations	Rated System Capacity (BtuH)	Capacity Rating (Min.~Max.) BtuH	Indoor Unit A (BtuH)	Indoor Unit B (BtuH)	Indoor Unit C (BtuH)	Indoor Unit D (BtuH)
9K+9K	19,000	7,100~33,000	9,500	9,500		
9K+12K	22,500	7,100~33,500	9,500	13,000		
12K+12K	26,000	7,200~34,000	13,000	13,000		
9K+18K	27,000	7,300~34,000	9,000	18,000		
12K+18K	28,000	7,400~34,000	11,200	16,800		
18K+18K	28,500	7,400~34,400	14,250	14,250		
9K+9K+9K	29,000	7,500~35,000	9,667	9,667	9,667	
9K+9K+12K	29,000	7,600~35,000	9,000	9,000	11,000	
9K+12K+12K	29,000	7,600~35,000	6,000	11,500	11,500	
9K+9K+18K	29,000	7,600~35,000	6,000	6,000	17,000	
12K+12K+12K	29,000	7,600~35,000	9,667	9,667	9,667	

Capacity data is based on the following conditions :

Cooling Nominal Test Conditions

Indoor: 80°F DB/67°F WB
 Outdoor: 95°F DB/75°F WB

Heating Nominal Test Conditions

Indoor: 70°F DB/60°F WB
 Outdoor: 47°F DB/43°F W



www.greecomfort.com

Specifications are subject to change without notice. Manufacturer reserves the right to discontinue or modify specifications or designs without notice or without incurring obligations. All rights reserved.

COOLING PERFORMANCE

Outdoor Ambient Temperature (DB)	Indoor Entering Air Temperatures (DB) 50% RH					
	62 F		67 F		72 F	
	TC	SHC	TC	SHC	TC	SHC
25 F	31,988	23,751	34,575	25,032	36,959	26,610
35 F	31,260	23,723	33,291	24,302	34,907	25,238
45 F	29,716	22,821	31,777	23,579	34,047	24,684
55 F	28,608	22,142	30,506	22,879	32,703	23,873
65 F	27,633	21,471	30,405	23,077	32,240	23,567
75 F	26,546	20,759	28,600	21,994	30,760	22,701
85 F	25,480	20,231	27,300	21,075	29,640	22,141
95 F	24,180	19,320	26,000	20,774	28,444	21,361
105 F	22,880	18,579	24,643	19,665	26,780	20,567
115 F	21,578	17,780	22,878	18,531	24,438	19,135

HEATING PERFORMANCE

Outdoor Ambient Temperature (DB) (80% RH)	Indoor Entering Air Temperatures (DB)					
	65 F		70 F		75 F	
	TC	SHC	TC	SHC	TC	SHC
5 F	23,823	23,823	22,484	22,484	21,933	21,933
15 F	25,465	25,465	23,232	23,232	23,092	23,092
25 F	27,019	27,019	25,645	25,645	24,186	24,186
35 F	28,528	28,528	26,405	26,405	25,297	25,297
45 F	30,018	30,018	29,000	29,000	27,243	27,243
55 F	30,058	30,058	29,189	29,189	27,912	27,912
65 F	29,916	29,916	29,479	29,479	28,571	28,571

TC- Total Capacity (BtuH)

SHC- Sensible Capacity (BtuH)



Specifications are subject to change without notice. Manufacturer reserves the right to discontinue or modify specifications or designs without notice or without incurring obligations. All rights reserved.