

Ductfree Mini-Split Systems
9,000 - 36,000 Btuh



neo

Replacement Parts Catalog

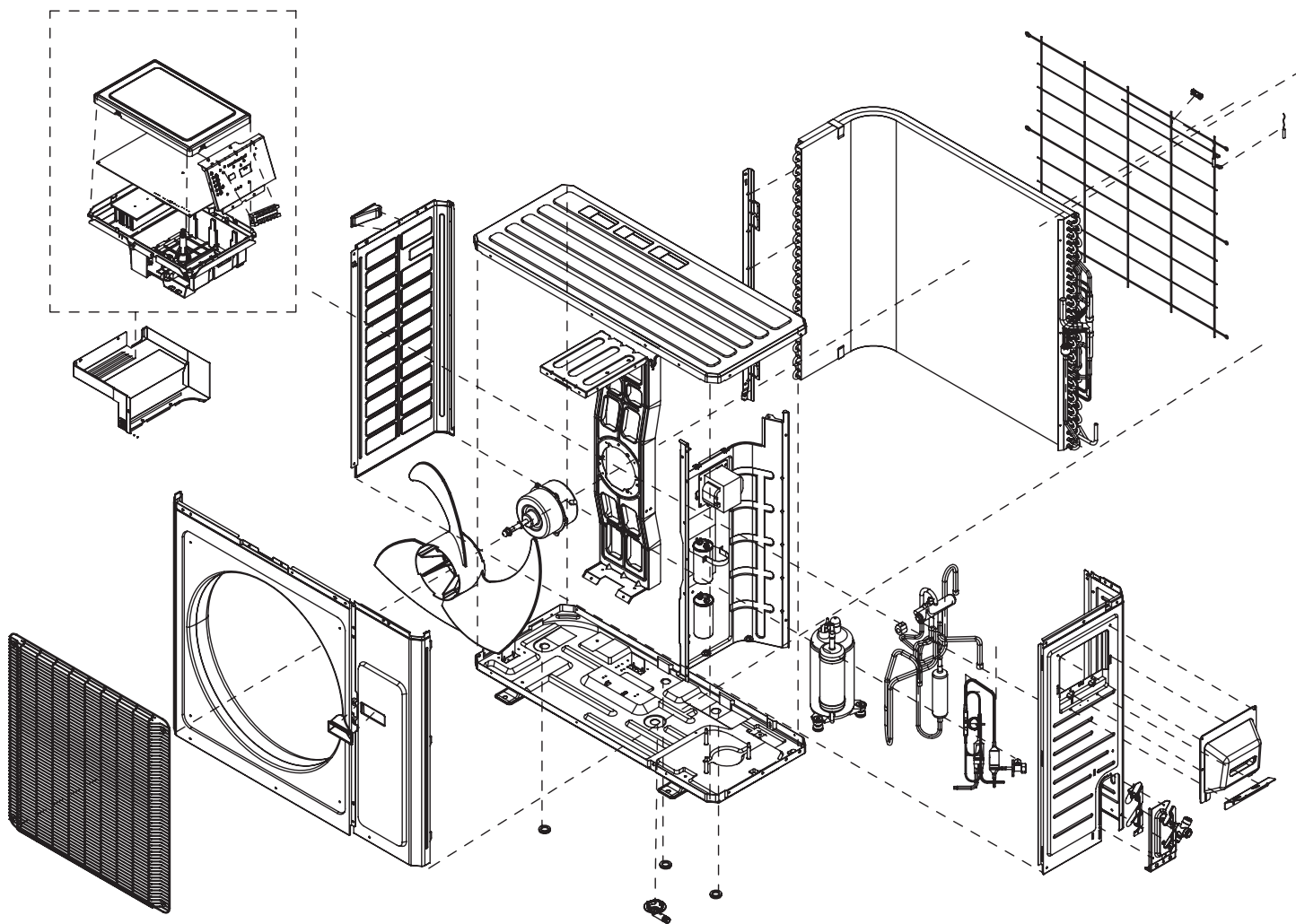
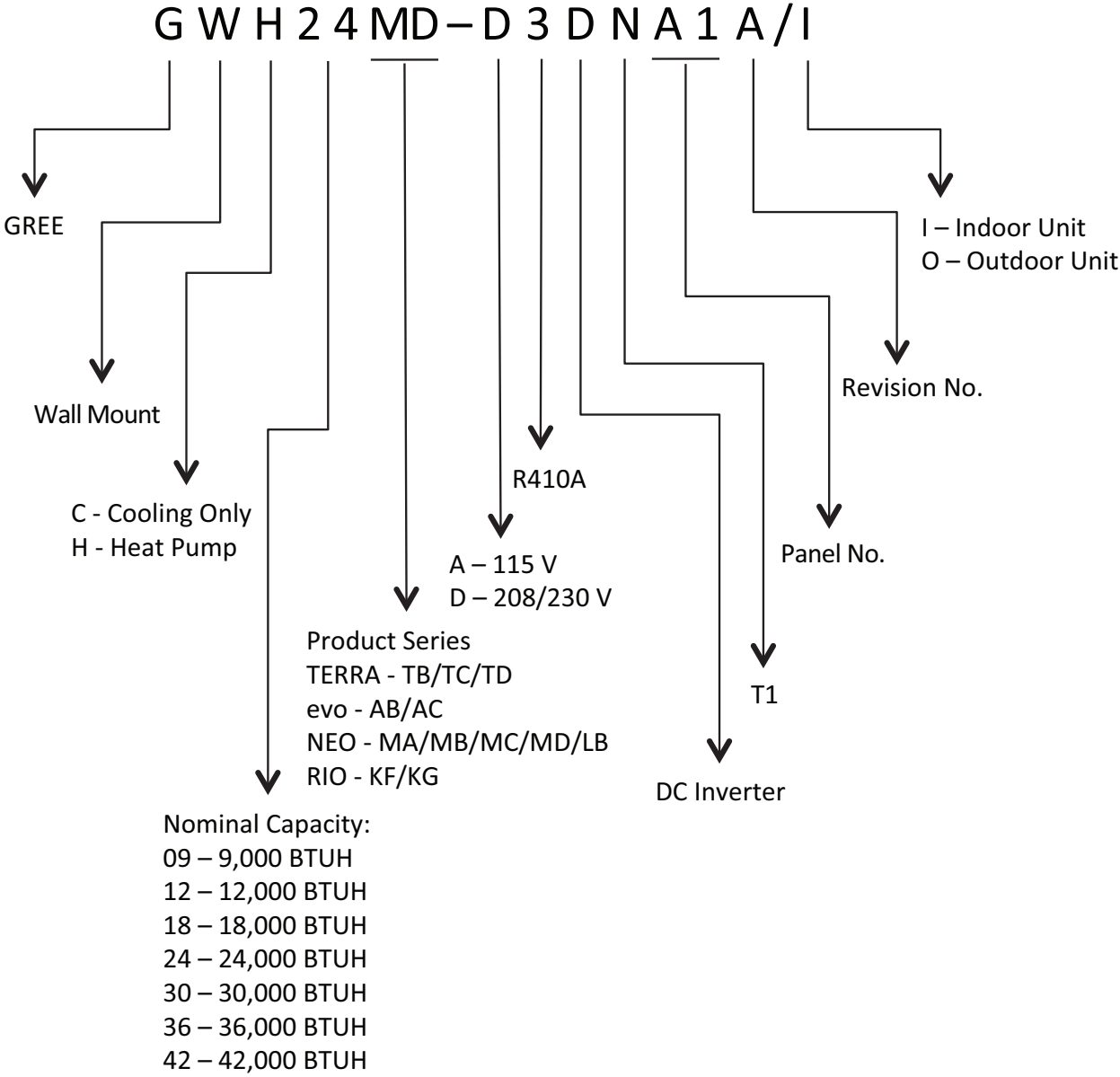


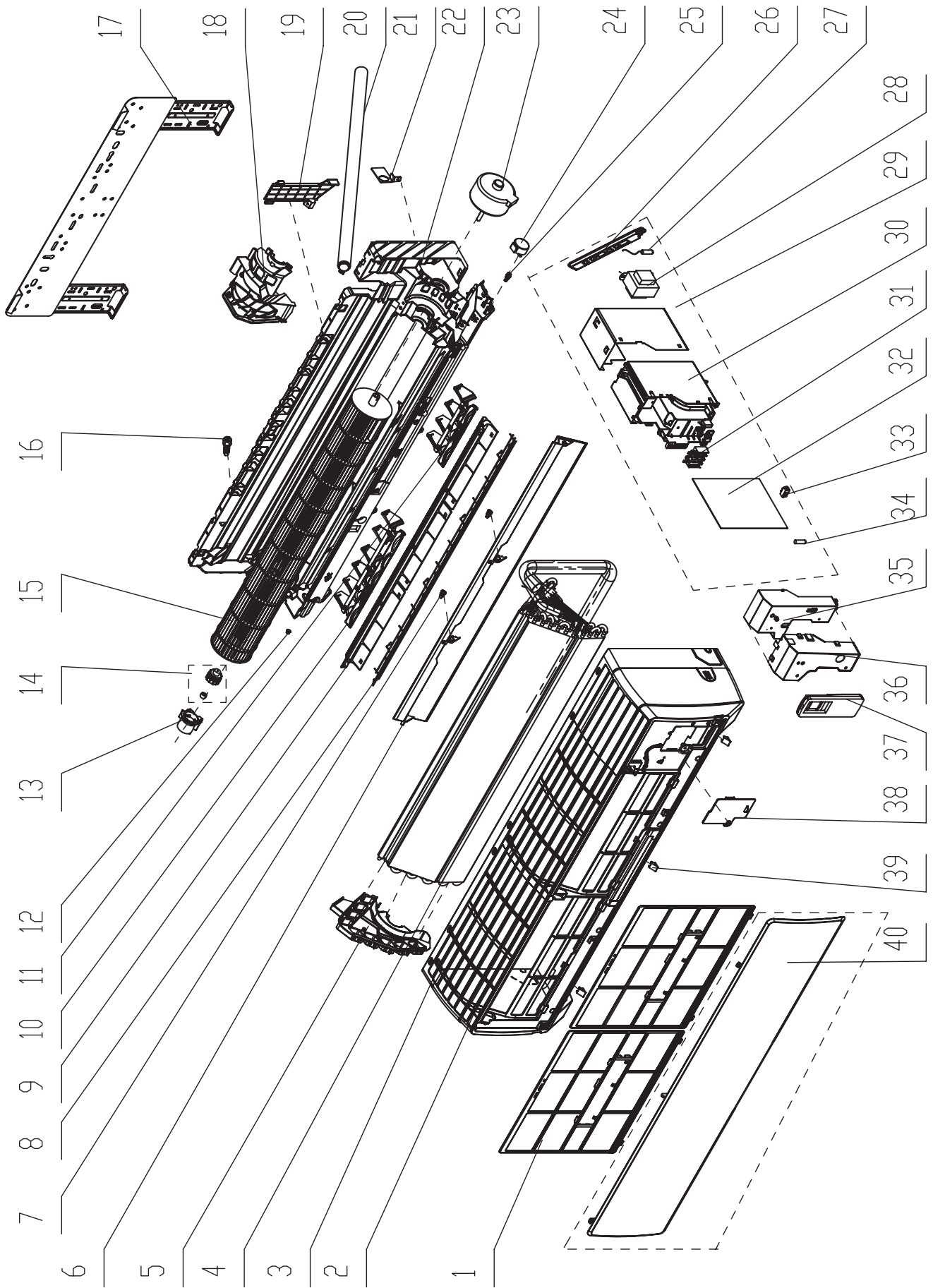
Table of Contents

| Model Number | Description | Page |
|---------------------|--|-------------|
| GWH09MA-A3DNA3A-I | Heat Pump 9,000 Btuh 115v Indoor Unit | 2-3 |
| GWH09MA-A3DNA3A-O | Heat Pump 9,000 Btuh 115v Outdoor Unit | 4-5 |
| GWH09MB-D3DNA3D-I | Heat Pump 9,000 Btuh 208/230v Indoor Unit | 6-7 |
| GWH09MB-D3DNA3D-O | Heat Pump 9,000 Btuh 208/230v Outdoor Unit | 8-9 |
| GWH12MB-A3DNA3A-I | Heat Pump 12,000 Btuh 115v Indoor Unit | 10-11 |
| GWH12MB-A3DNA3A-O | Heat Pump 12,000 Btuh 115v Outdoor Unit | 12-13 |
| GWH12MB-D3DNA3D-I | Heat Pump 12,000 Btuh 208/230v Indoor Unit | 14-15 |
| GWH12MB-D3DNA3D-O | Heat Pump 12,000 Btuh 208/230v Outdoor Unit | 16-17 |
| GWH18MC-D3DNA3D-I | Heat Pump 18,000 Btuh 208/230v Indoor Unit | 18-19 |
| GWH18MC-D3DNA3D-O | Heat Pump 18,000 Btuh 208/230v Outdoor Unit | 20-21 |
| GWH24MD-D3DNA3D-I | Heat Pump 24,000 Btuh 208/230v Indoor Unit | 22-23 |
| GWH24MD-D3DNA3D-O | Heat Pump 24,000 Btuh 208/230v Outdoor Unit | 24-25 |
| GWH30LB-D3DNA3E-I | Heat Pump 30,000 Btuh 208/230v Indoor Unit | 26-27 |
| GWH30LB-D3DNA3E-O | Heat Pump 30,000 Btuh 208/230v Outdoor Unit | 28-29 |
| GWH36LB-D3DNA3E-I | Heat Pump 36,000 Btuh 208/230v Indoor Unit | 30-31 |
| GWH36LB-D3DNA3E-O | Heat Pump 36,000 Btuh 208/230v Outdoor Unit | 32-33 |
| GWC09MB-D3DNA3D-I | Cooling Only 9,000 Btuh 208/230v Indoor Unit | 34-35 |
| GWC09MB-D3DNA3D-O | Cooling Only 9,000 Btuh 208/230v Outdoor Unit | 36-37 |
| GWC12MB-D3DNA3D-I | Cooling Only 12,000 Btuh 208/230v Indoor Unit | 38-39 |
| GWC12MB-D3DNA3D-O | Cooling Only 12,000 Btuh 208/230v Outdoor Unit | 40-41 |
| GWC18MC-D3DNA3D-I | Cooling Only 18,000 Btuh 208/230v Indoor Unit | 42-43 |
| GWC18MC-D3DNA3D-O | Cooling Only 18,000 Btuh 208/230v Outdoor Unit | 44-45 |
| GWC24MD-D3DNA3D-I | Cooling Only 24,000 Btuh 208/230v Indoor Unit | 46-47 |
| GWC24MD-D3DNA3D-O | Cooling Only 24,000 Btuh 208/230v Outdoor Unit | 48-49 |
| GWC36LB-D3DNA3A-I | Cooling Only 36,000 Btuh 208/230v Indoor Unit | 50-51 |
| GWC36LB-D3DNA3A-O | Cooling Only 36,000 Btuh 208/230v Outdoor Unit | 52-53 |

Product Catalog Number-Nomenclature



GWH09MA-A3DNA3A/I 9,000 Btuh 115v Indoor Unit

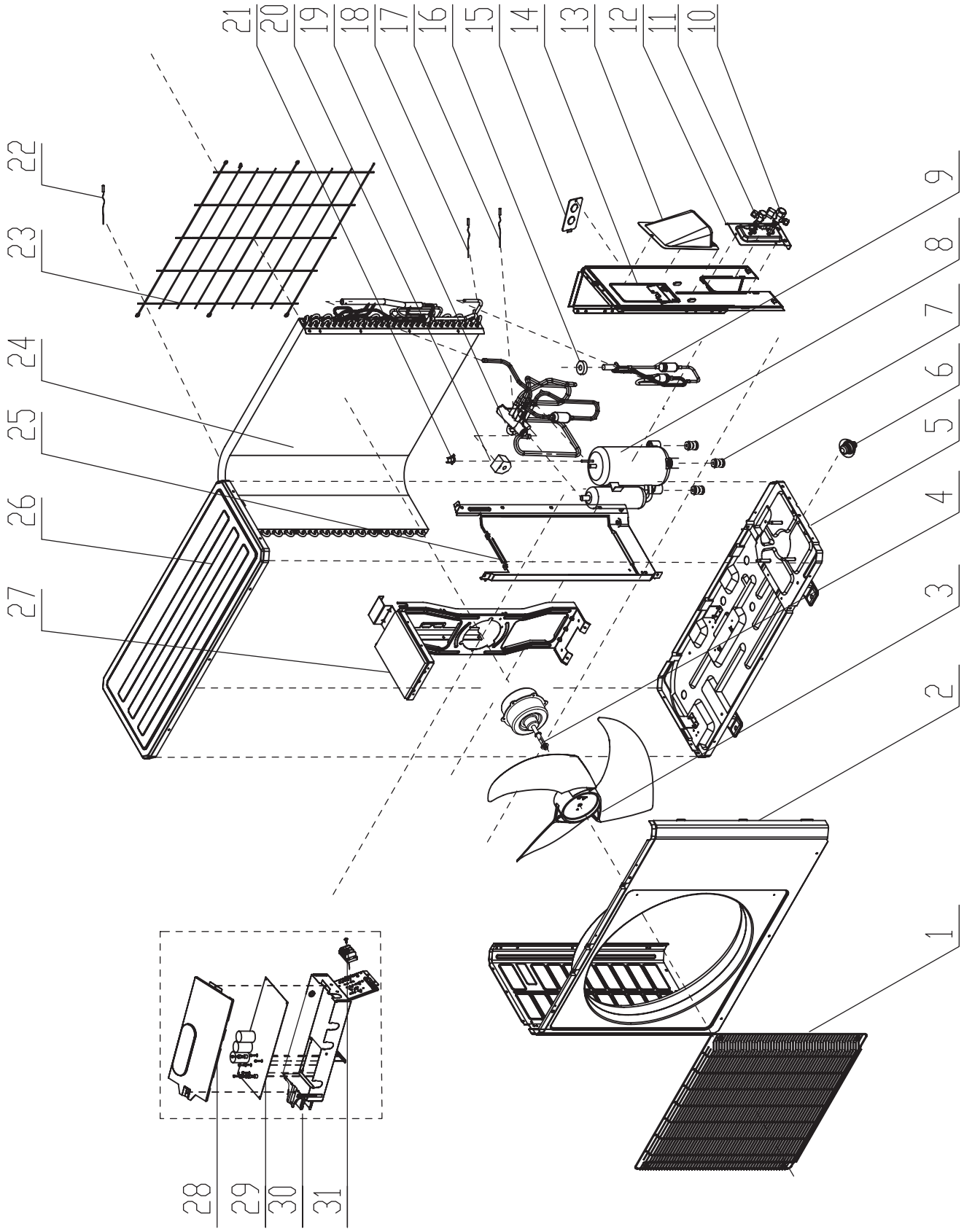


GWH09MA-A3DNA3A/I
9,000 Btuh 115v Indoor Unit
 Product Code: CB171N0100

| NO. | Part Code | Part Description | Qty |
|-----|------------|---------------------------|-----|
| 1 | 1112220401 | Filter Sub-Assy | 2 |
| 2 | 2001213914 | Front Case Sub-Assy | 1 |
| 3 | 2001212303 | Front Case | 1 |
| 4 | 01002574 | Evaporator Coil Assy | 1 |
| 5 | 24212091 | Evaporator Coil Support | 1 |
| 6 | 10512157 | Guide Louver | 1 |
| 7 | 10542036 | Axial Bushing | 1 |
| 8 | 01472013 | Rear Grille | 1 |
| 9 | 26112163C | Helicoid Tongue | 1 |
| 10 | 10512165 | Air Louver 2 | 1 |
| 11 | 10512164 | Air Louver 1 | 1 |
| 12 | 10512037 | Left Axial Bushing | 1 |
| 13 | 26152022 | Bearing Ring | 1 |
| 14 | 76512051 | Bearing O-Gasket Sub-Assy | 1 |
| 15 | 10352017 | Cross Flow Fan | 1 |
| 16 | 76712012 | Drainage Tray Plug | 1 |
| 17 | 01252021 | Wall Mounting Frame | 1 |
| 18 | 26112161 | Motor Press Plate | 1 |
| 19 | 26112164 | Connecting Pipe Clamp | 1 |
| 20 | 0523001401 | Drainage Hose | 1 |
| 21 | 02122019 | Cable Cross Plate | 1 |

| NO. | Part Code | Part Description | Qty |
|-----------|------------|---|-----|
| 22 | 2220210309 | Rear Case Assy | 1 |
| 23 | 1501208902 | Fan Motor | 1 |
| 24 | 1521210801 | Stepper Motor | 1 |
| 25 | 10582070 | Crank | 1 |
| 26 | 30565007 | Display Board | 1 |
| 27 | 390000451 | Ambient Temperature Sensor | 1 |
| 28 | 43110256 | Transformer | 1 |
| 29 | 2020212850 | Electric Control Box Assy | 1 |
| 30 | 20112082 | Electric Control Box | 1 |
| 31 | 42011233 | Terminal Board | 1 |
| 32 | 30138587 | Main Control Board | 1 |
| 33 | 4202300101 | Configeration Jumper Connector | 1 |
| 34 | 390000591 | Indoor Coil Temperature Sensor | 1 |
| 35 | 20122103 | Electric Control Box Cover1 | 1 |
| 36 | 01592073 | Shield Cover of Electric Control Box Sub-Assy | 1 |
| 37 | 305100482 | Remote Control | 1 |
| Not Shown | 27210071 | Remote Control Holder/Cradle | 1 |
| 38 | 20122075 | Electric Control Box Cover2 | 1 |
| 39 | 24252016 | Screw Cover | 1 |
| 40 | 20012122S | Front Panel | 1 |
| Not Shown | 20012548 | Front Panel Sub-Assy | 1 |

GWH09MA-A3DNA1A/O 9,000 Btuh 115v Outdoor Unit

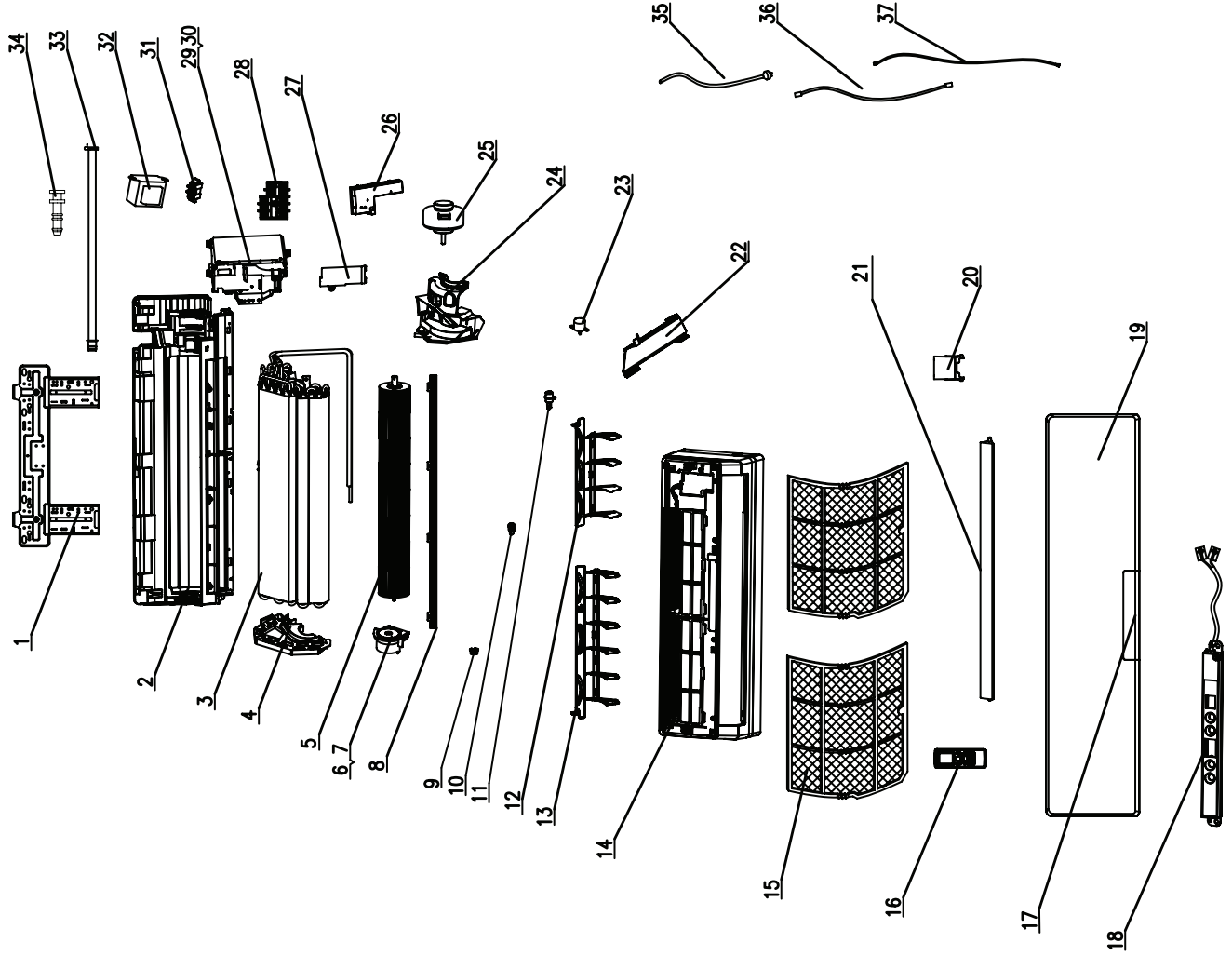


GWH09MA-A3DNA1A/O
9,000 Btuh 115v Outdoor Unit
 Product Code: CB190W0040_K38348

| NO. | Part Code | Part Description | Qty |
|-----|-------------|-----------------------------------|-----|
| 1 | 01473012 | Front Grille | 1 |
| 2 | 0143304601P | Cabinet | 1 |
| 3 | 10333502 | Axial Flow Fan | 1 |
| 4 | 15013069 | Fan Motor | 1 |
| 5 | 01203614P | Chassis Sub-assy | 1 |
| 6 | 06123401 | Drainage Connector | 1 |
| 7 | 76815203 | Compressor Grommets | 3 |
| 8 | 00205212 | Compressor and Fittings | 1 |
| 9 | 07133165 | Electric Expansion Valve Sub-Assy | 1 |
| 10 | 07100003 | Liquid Line Valve 1/4-in | 1 |
| 11 | 07100005 | Gas Line Valve 3/8-in | 1 |
| 12 | 01713041 | Valve Support | 1 |
| 13 | 02123015 | Cable Cross Plate Assy | 1 |
| 14 | 013030713 | Right Side Plate Assy | 1 |
| 15 | 01413069 | Wire cover | 1 |
| 16 | 4300876701 | Magnet Coil | 1 |

| NO. | Part Code | Part Description | Qty |
|-----------|------------|-------------------------------------|-----|
| 17 | 39000016G | Discharge Temperature Sensor | 1 |
| 18 | 390001921 | Tube Temperature Sensor | 1 |
| 19 | 03023794 | 4-Way Reversing Valve Component | 1 |
| 20 | 4300040021 | Magnet Coil | 1 |
| 21 | 00180002 | Compressor Overload Protector | 1 |
| 22 | 3900020801 | Ambient Temperature Sensor | 1 |
| 23 | 01473014 | Rear Grille | 1 |
| 24 | 01113405 | Condenser Coil Assy | 1 |
| 25 | 01233198 | Clapboard Sub-Assy | 1 |
| 26 | 01253443 | Top Cover Plate | 1 |
| 27 | 0170300701 | Motor Support Spot Welding Sub-Assy | 1 |
| 28 | 0260309601 | Electric Control Box Cover Sub-Assy | 1 |
| 29 | 30138211 | Main Control Board | 1 |
| 30 | 0140398651 | Electric Control Box Assy | 1 |
| 31 | 42010255 | Terminal Board | 1 |
| Not Shown | 39000016G | Discharge Temperature Sensor | 1 |

GWH09MB-D3DNA3D/I 9,000 Btuh 208/230v Indoor Unit

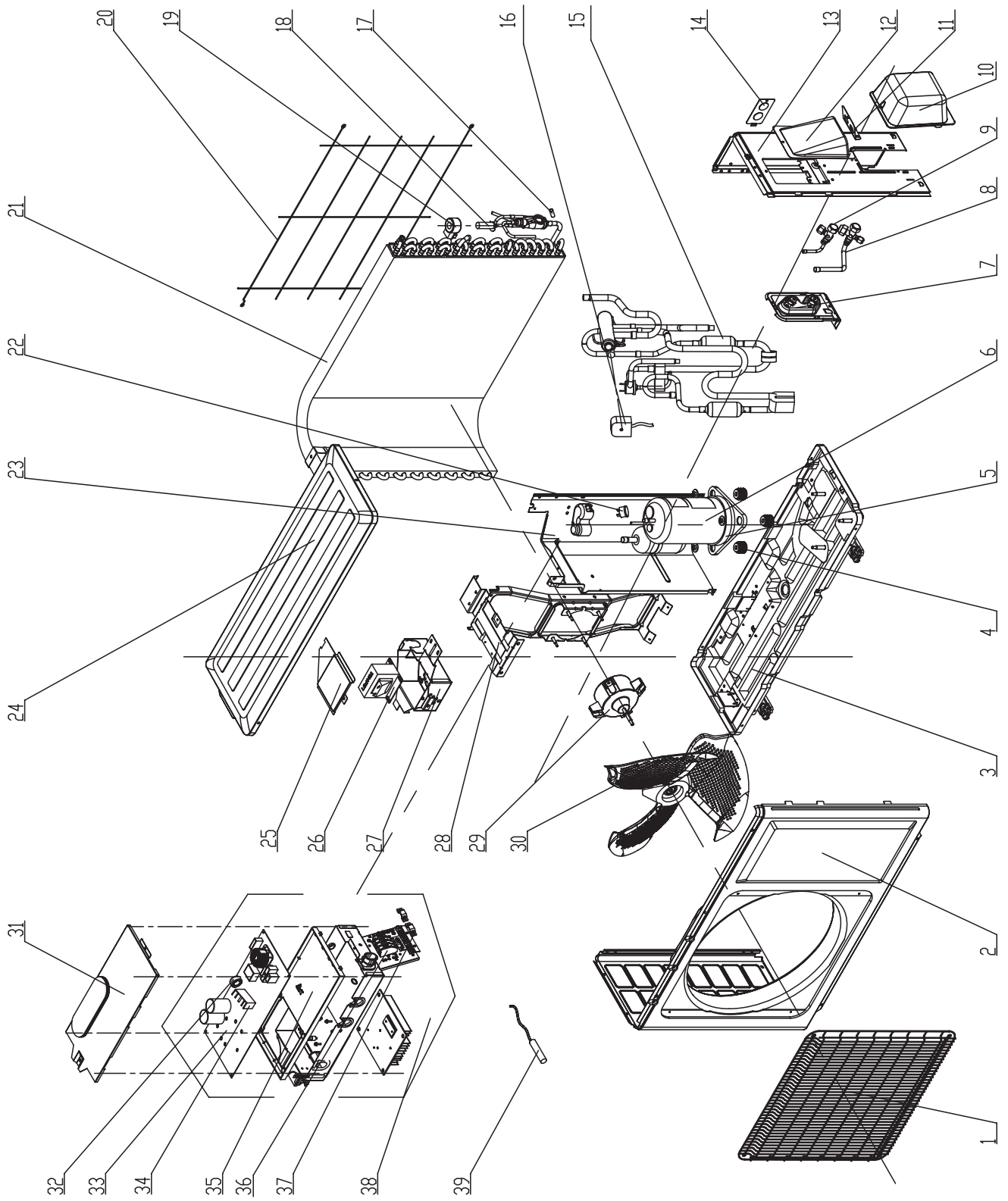


GWH09MB-D3DNA3D/I
9,000 Btuh 208/230v Indoor Unit
 Product Code: CB171N04500

| NO. | Part Code | Part Description | Qty |
|-----------|------------|------------------------------|-----|
| 1 | 01252021 | Wall Mounting Frame | 1 |
| 2 | 2220210309 | Rear Case Assy | 1 |
| 3 | 0100232101 | Evaporator Coil Assy | 1 |
| 4 | 24212091 | Evaporator Coil Support | 1 |
| 5 | 10352017 | Cross Flow Fan | 1 |
| 6 | 26152022 | Bearing Ring | 1 |
| 7 | 76512051 | Bearing O-Gasket Sub-Assy | 1 |
| 8 | 26112163C | Helicoid Tongue | 1 |
| 9 | 10512037 | Left Axial Bushing | 1 |
| 10 | 10582070 | Crank | 1 |
| 11 | 10542036 | Axial Bushing | 1 |
| 12 | 10512164 | Air Louver 1 | 1 |
| 13 | 10512165 | Air Louver 2 | 1 |
| 14 | 2001213931 | Front Case Sub-Assy | 1 |
| 15 | 1112220403 | Filter Sub-Assy | 2 |
| 16 | 305100482 | Remote Control | 1 |
| Not Shown | 27210071 | Remote Control Holder/Cradle | 1 |
| 17 | 22432230 | Receiver Window | 1 |
| 18 | 30565007 | Display Board | 1 |
| 19 | 20012548 | Front Panel Sub-Assy | 1 |

| NO. | Part Code | Part Description | Qty |
|-----------|------------|--------------------------------|-----|
| 20 | 24252016 | Screw Cover | 1 |
| 21 | 10512157 | Guide Louver | 1 |
| 22 | 26112164 | Connecting Pipe Clamp | 1 |
| 23 | 1521212901 | Stepper Motor | 1 |
| 24 | 26112161 | Motor Press Plate | 1 |
| 25 | 15012089 | Fan Motor | 1 |
| 26 | 20122103 | Electric Control Box Cover1 | 1 |
| 27 | 2012207504 | Electric Control Box Cover2 | 1 |
| 28 | 42011233 | Terminal Board | 1 |
| 29 | 20302268 | Electric Control Box Assy | 1 |
| 30 | 30138655 | Main Control Board | 1 |
| 31 | 4202300107 | Configeration Jumper Connector | 1 |
| 32 | 33010002 | Capacitor CBB61 | 1 |
| 33 | 0523001401 | Drainage Hose | 1 |
| 34 | 76712012 | Drainage Tray Plug | 1 |
| 35 | 76512210 | Fan Bearing | 1 |
| 36 | NA | Connecting Cable | 0 |
| 37 | NA | Connecting Cable | 0 |
| Not Shown | 390000591 | Indoor Coil Temperature Sensor | 1 |
| Not Shown | 390000453 | Ambient Temperature Sensor | 1 |

GWH09MB-D3DNA3D/O 9,000 Btuh 208/230v Outdoor Unit



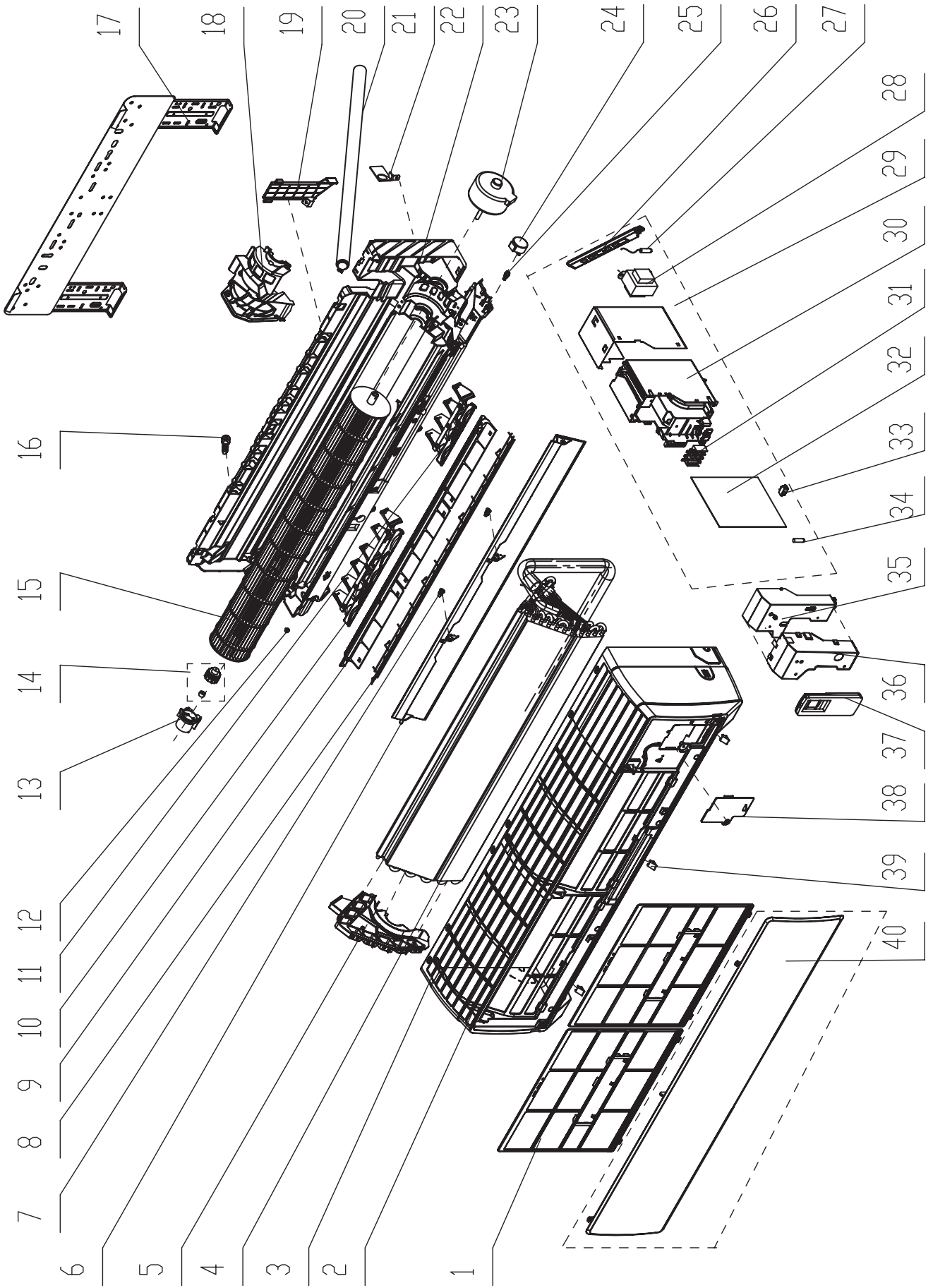
GWH09MB-D3DNA3D/O
9,000 Btuh 208/230v Outdoor Unit
 Product Code: CB171W04500

| NO. | Part Code | Part Description | Qty |
|-----|-------------|-----------------------------------|-----|
| 1 | 01473012 | Front Grille | 1 |
| 2 | 0143304601P | Cabinet | 1 |
| 3 | 02803077P | Chassis Sub-Assy | 1 |
| 4 | 76710290 | Compressor Grommets | 3 |
| 5 | 76513004 | Electrical Heater(Compressor) | 1 |
| 6 | 00103851 | Compressor and Fittings | 1 |
| 7 | 01713041 | Valve Support | 1 |
| 8 | 07100005 | Gas Line Valve 3/8-in | 1 |
| 9 | 07100003 | Liquid Line Valve 1/4-in | 1 |
| 10 | 2012300101 | Valve Cover | 1 |
| 11 | 02123013P | Cable Cross Plate 1 | 1 |
| 12 | 02123014P | Cable Cross Plate 2 | 1 |
| 13 | 0130306903 | Right Side Plate | 1 |
| 14 | 01413069 | Wire cover | 1 |
| 15 | 03123957 | 4-Way Valve Assy | 1 |
| 16 | 4300040047 | Magnet Coil | 1 |
| 17 | 05212423 | Mounting Tube for Sensor | 1 |
| 18 | 07133633 | Electric Expansion Valve Sub-Assy | 1 |
| 19 | 4300876701 | Magnet Coil | 1 |
| 20 | 01473057 | Rear Grille | 1 |

| NO. | Part Code | Part Description | Qty |
|-----|------------|---|-----|
| 21 | 01163565 | Condenser Coil Assy | 1 |
| 22 | 00183043 | Compressor Overload Protector(External) | 1 |
| 23 | 01233198 | Clapboard Sub-Assy | 1 |
| 24 | 01253443 | Top Cover Plate | 1 |
| 25 | 01413029 | Reactor Control Box Cover | 1 |
| 26 | 43130185 | Reactor | 1 |
| 27 | 01403616 | Reactor Assy | 1 |
| 28 | 01703007 | Motor Support Spot Welding Sub-Assy | 1 |
| 29 | 15013159 | Fan Motor | 1 |
| 30 | 10333012 | Axial Flow Fan | 1 |
| 31 | 0260309601 | Electric Control Box Cover Sub-Assy | 1 |
| 32 | 49010104 | Magnetic Ring | 1 |
| 33 | 30148245 | Main Control Board | 1 |
| 34 | 49010252 | Radiator | 1 |
| 35 | 20113005 | Electric Control Box 1 | 1 |
| 36 | 42010313 | Terminal Board | 1 |
| 37 | 71010003 | Wire Clamp | 2 |
| 38 | 02613192 | Electric Control Box Assy | 1 |
| 39 | 39000310 | Temperature Sensors Assembly** | 1 |

***Temperature Sensor Assembly contains Discharge, Coil, & Ambient Temperature sensors.

GWH12MB-A3DNA3A/I
12,000 Btuh 115v Indoor Unit

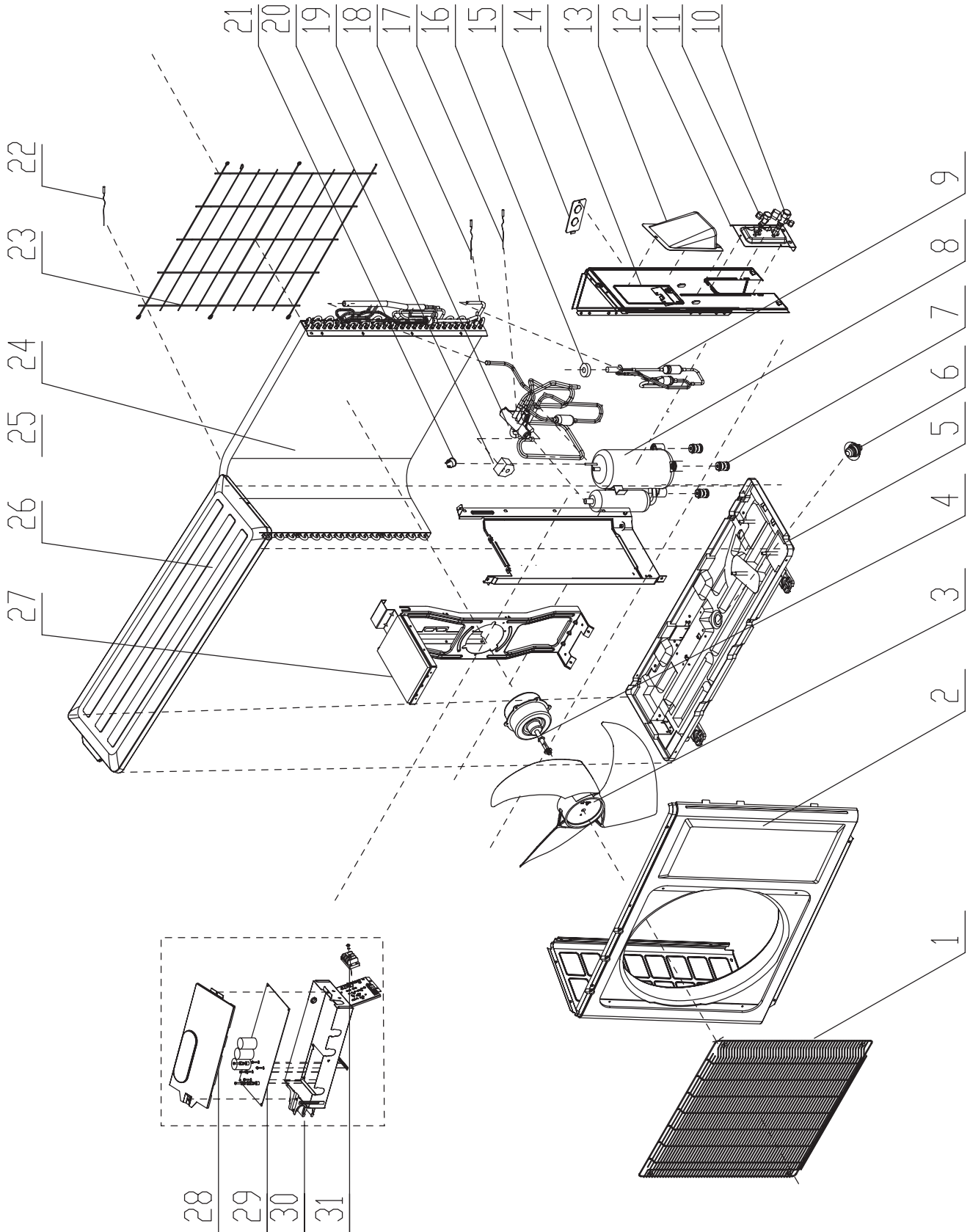


GWH12MB-A3DNA3A/I
12,000 Btuh 115v Indoor Unit
 Product Code: CB171N0120

| NO. | Part Code | Part Description | Qty |
|-----|------------|---------------------------|-----|
| 1 | 1112220401 | Filter Sub-Assy | 2 |
| 2 | 2001213914 | Front Case Sub-Assy | 1 |
| 3 | 2001212303 | Front Case | 1 |
| 4 | 01002574 | Evaporator Coil Assy | 1 |
| 5 | 24212091 | Evaporator Coil Support | 1 |
| 6 | 10512157 | Guide Louver | 1 |
| 7 | 10542036 | Axial Bushing | 1 |
| 8 | 01472013 | Rear Grille | 1 |
| 9 | 26112163C | Helicoid tongue | 1 |
| 10 | 10512165 | Air Louver 2 | 1 |
| 11 | 10512164 | Air Louver 1 | 1 |
| 12 | 10512037 | Left Axial Bushing | 1 |
| 13 | 26152022 | Bearing Ring | 1 |
| 14 | 76512051 | Bearing O-Gasket Sub-Assy | 1 |
| 15 | 10352017 | Cross Flow Fan | 1 |
| 16 | 76712012 | Drainage Tray Plug | 1 |
| 17 | 01252021 | Wall Mounting Frame | 1 |
| 18 | 26112161 | Motor Press Plate | 1 |
| 19 | 26112164 | Connecting Pipe Clamp | 1 |
| 20 | 0523001401 | Drainage Hose | 1 |
| 21 | 02122019 | Cable Cross Plate | 1 |
| 22 | 2220210309 | Rear Case Assy | 1 |

| NO. | Part Code | Part Description | Qty |
|-----------|------------|---|-----|
| 23 | 1501208902 | Fan Motor | 1 |
| 24 | 1521210801 | Stepper Motor | 1 |
| 25 | 10582070 | Crank | 1 |
| 26 | 30565007 | Display Board | 1 |
| 27 | 390000451 | Ambient Temperature Sensor | 1 |
| 28 | 43110256 | Transformer | 1 |
| 29 | 2020212852 | Electric Control Box Assy | 1 |
| 30 | 20112082 | Electric Control Box | 1 |
| 31 | 42011233 | Terminal Board | 1 |
| 32 | 30138587 | Main Control Board | 1 |
| 33 | 4202300102 | Configuration Jumper Connector | 1 |
| 34 | 390000591 | Indoor Coil Temperature Sensor | 1 |
| 35 | 20122103 | Electric Control Box Cover1 | 1 |
| 36 | 01592073 | Shield cover of Electric Control Box Sub-Assy | 1 |
| 37 | 305100482 | Remote Control | 1 |
| Not Shown | 27210071 | Remote Control Holder/Cradle | 1 |
| 38 | 20122075 | Electric Control Box Cover2 | 1 |
| 39 | 24252016 | Screw Cover | 1 |
| 40 | 20012122S | Front Panel | 1 |
| Not Shown | 20012548 | Front Panel Sub-Assy | 1 |

GWH12MB-A3DNA1A/O 12,000 Btuh 115v Outdoor Unit

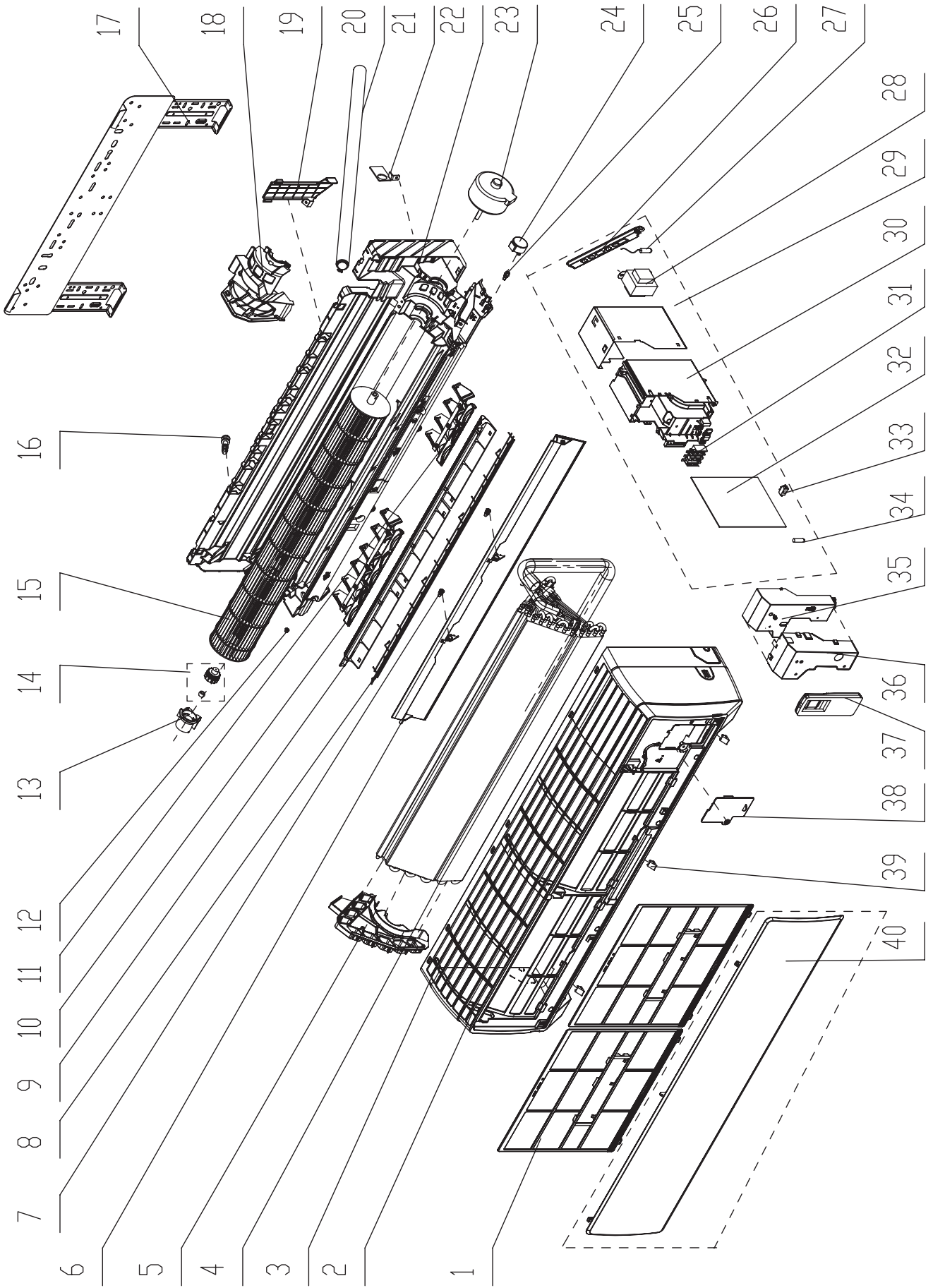


GWH12MB-A3DNA1A/O
12,000 Btuh 115v Outdoor Unit
 Product Code: CB190W0060

| NO. | Part Code | Part Description | Qty |
|-----|-------------|-----------------------------------|-----|
| 1 | 01473012 | Front Grille | 1 |
| 2 | 0143304601P | Cabinet | 1 |
| 3 | 10333502 | Axial Flow Fan | 1 |
| 4 | 15013069 | Fan Motor | 1 |
| 5 | 01203939P | Chassis Sub-Assy | 1 |
| 6 | 06123401 | Drainage Connector | 1 |
| 7 | 76710236 | Compressor Grommets | 3 |
| 8 | 00205212 | Compressor and Fittings | 1 |
| 9 | 07133554 | Electric Expansion Valve Sub-Assy | 1 |
| 10 | 07100003 | Gas Line Valve 3/8-in | 1 |
| 11 | 07100005 | Liquid Line Valve 1/4-in | 1 |
| 12 | 01713041 | Valve Support | 1 |
| 13 | 02123013P | Cable Cross Plate 1 | 1 |
| 14 | 013030713 | Right Side Plate Assy | 1 |
| 15 | 01413069 | Wire cover | 1 |
| 16 | 4300876701 | Magnet Coil | 1 |

| NO. | Part Code | Part Description | Qty |
|-----|-------------|-------------------------------------|-----|
| 17 | 39000016G | Discharge Temperature Sensor | 1 |
| 18 | 39000020801 | Ambient Temperature Sensor | 1 |
| 19 | 03123315 | 4-way Valve Assy | 1 |
| 20 | 4300040021 | Magnet Coil | 1 |
| 21 | 00180002 | Compressor Overload Protector | 1 |
| 22 | 07220019 | Tube Temperature Sensor | 1 |
| 23 | 01473014 | Rear Grille | 1 |
| 24 | 01113298 | Condenser Coil Assy | 1 |
| 25 | 01233198 | Clapboard Sub-Assy | 1 |
| 26 | 01253443 | Top Cover Plate | 1 |
| 27 | 01703007 | Motor Support Spot Welding Sub-Assy | 1 |
| 28 | 0260309601 | Electric Box Cover sub-assy | 1 |
| 29 | 30138211 | Main Control Board | 1 |
| 30 | 0140398651 | Electric Control Box Assy | 1 |
| 31 | 42010255 | Terminal Board | 1 |

GWH12MB-D3DNA3D/I
12,000 Btuh 208/230v Indoor Unit

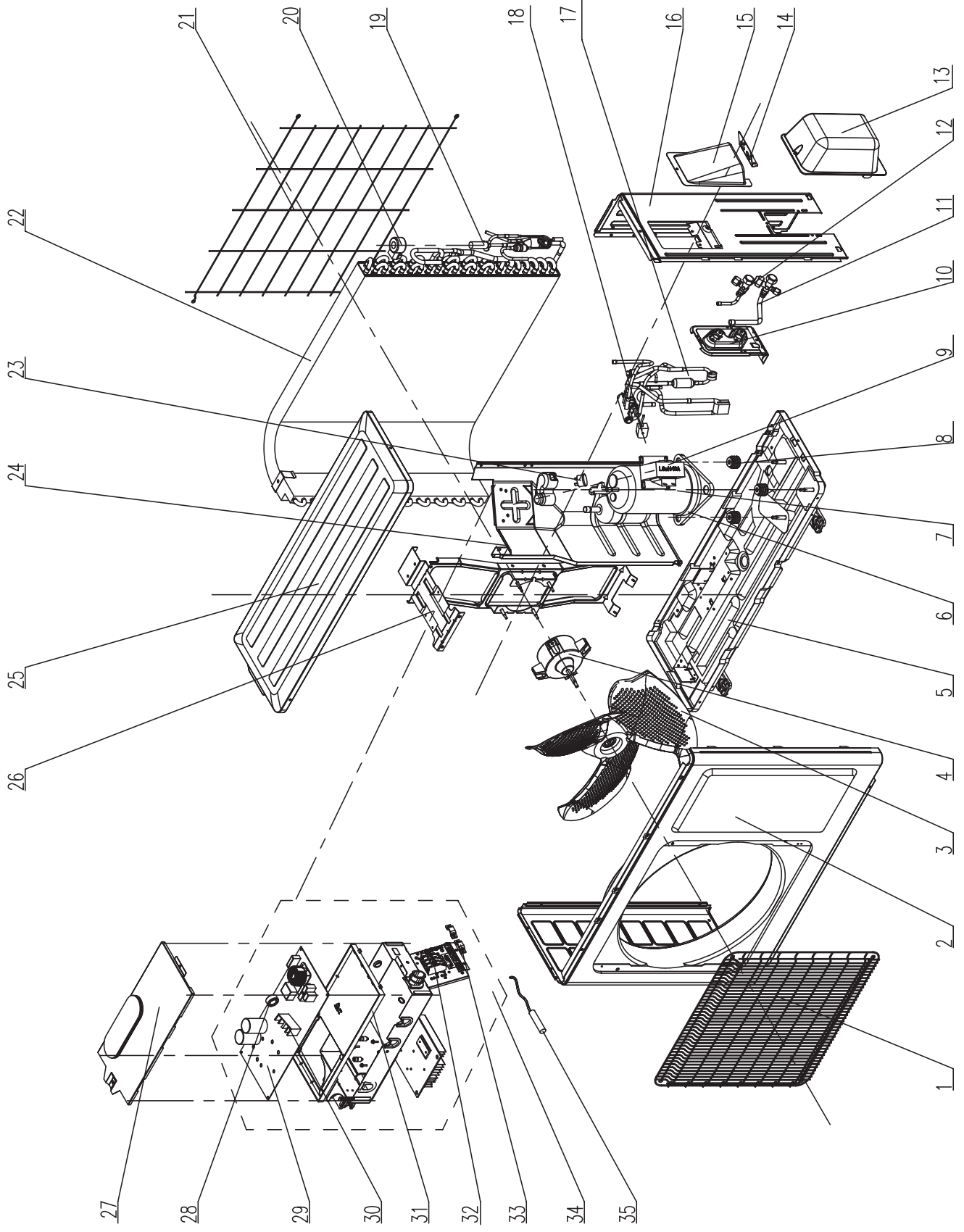


GWH12MB-D3DNA3D/I
12,000 Btuh 208/230v Indoor Unit
 Product Code: CB171N04600

| NO. | Part Code | Part Description | Qty |
|-----------|------------|-------------------------------|-----|
| 1 | 1112220403 | Filter Sub-Assy | 2 |
| 2 | 2001213931 | Front Case Sub-Assy | 1 |
| 3 | 2001212303 | Front Case | 1 |
| 4 | 0100232101 | Evaporator Coil Assy | 1 |
| 5 | 24212091 | Evaporator Coil Support | 1 |
| 6 | 10512157 | Guide Louver | 1 |
| 7 | 10542036 | Axial Bushing | 1 |
| 8 | 01472013 | Rear Grille | 1 |
| 9 | 26112163C | Helicoid Tongue | 1 |
| 10 | 10512165 | Air Louver 2 | 1 |
| 11 | 10512164 | Air Louver 1 | 1 |
| 12 | 10512037 | Left Axial Bushing | 1 |
| 13 | 26152022 | Ring of Bearing | 1 |
| 14 | 76512051 | Bearing O-Gasket Sub-Assy | 1 |
| 15 | 10352017 | Cross Flow Fan | 1 |
| Not Shown | 76512203 | Bearing O-Gasket of Cross Fan | 1 |
| 16 | 76712012 | Drainage Tray Plug | 1 |
| 17 | 01252021 | Wall Mounting Frame | 1 |
| 18 | 26112161 | Motor Press Plate | 1 |
| 19 | 26112164 | Connecting Pipe Clamp | 1 |
| 20 | 0523001401 | Drainage Hose | 1 |
| 21 | 02122019 | Cable Cross Plate | 1 |
| Not Shown | 2220245405 | Rear Case | 1 |

| NO. | Part Code | Part Description | Qty |
|-----------|------------|---|-----|
| 22 | 2220210309 | Rear Case Assy | 1 |
| 23 | 15012089 | Fan Motor | 1 |
| 24 | 1521212901 | Stepper Motor | 1 |
| 25 | 10582070 | Crank | 1 |
| 26 | 30565007 | Display Board | 1 |
| 27 | 390000453 | Ambient Temperature Sensor | 1 |
| 28 | NA | Transformer | 1 |
| 29 | 2030226801 | Electric Control Box Assy | 1 |
| 30 | 2011216702 | Electric Control Box | 1 |
| 31 | 42011233 | Terminal Board | 1 |
| 32 | 30138655 | Main Control Board | 1 |
| Not Shown | 33010002 | Capacitor CBB61 | 1 |
| 33 | 4202300108 | Configuration Jumper Connector | 1 |
| 34 | 390000591 | Indoor Coil Temperature Sensor | 1 |
| 35 | 20122103 | Electric Control Box Cover1 | 1 |
| 36 | 01592073 | Shield Cover of Electric Control Box Sub-Assy | 1 |
| 37 | 305100482 | Remote Control | 1 |
| Not Shown | 27210071 | Remote Control Holder/Cradle | 1 |
| 38 | 2012207504 | Electric Control Box Cover2 | 1 |
| 39 | 24252016 | Screw Cover | 1 |
| 40 | 20012122S | Front Panel | 1 |
| Not Shown | 22432230 | Receiver Window | 1 |
| 41 | 20012548 | Front Panel Sub-Assy | 1 |

GWH12MB-D3DNA3D/O 12,000 Btuh 208/230v Outdoor Unit



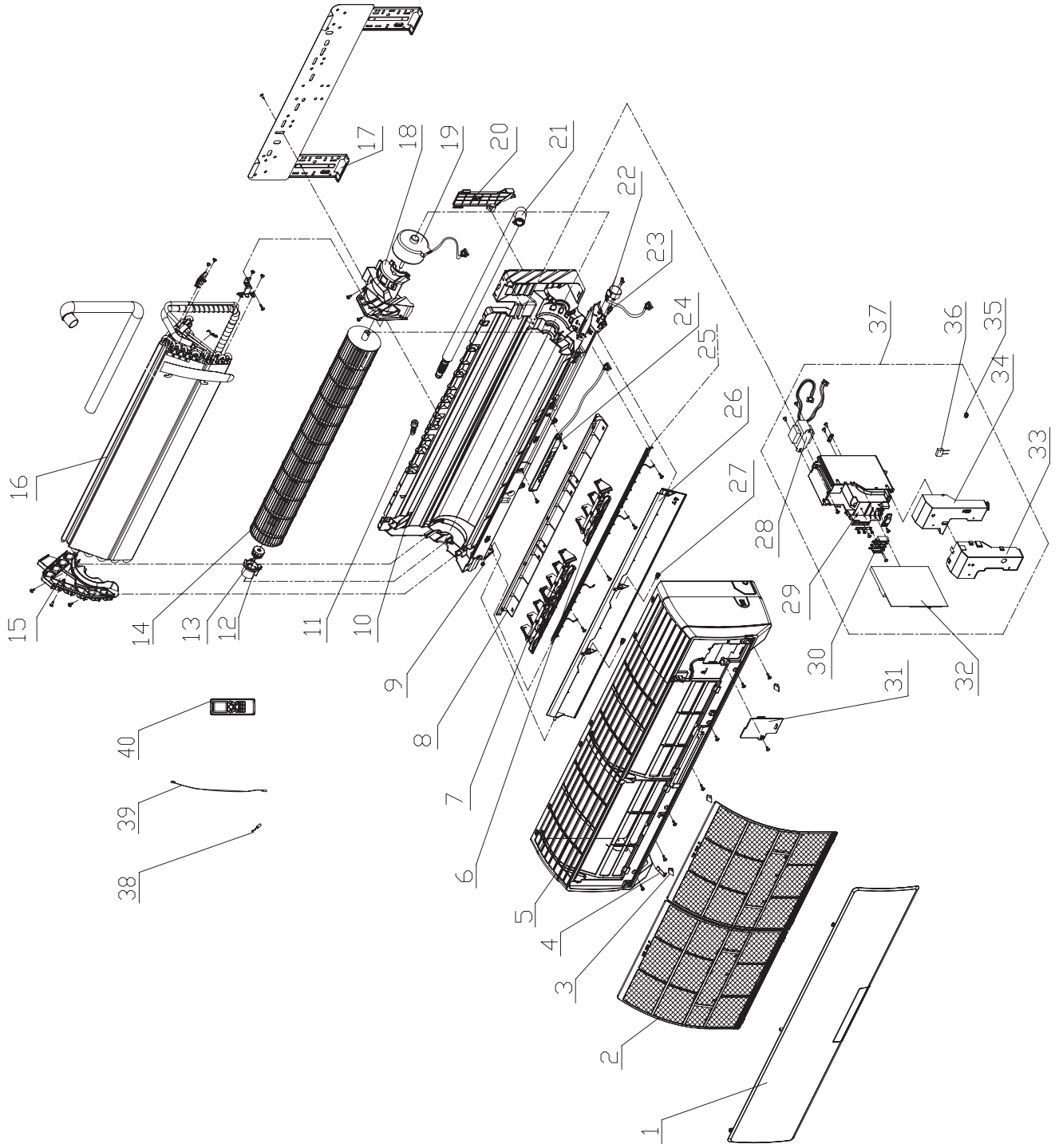
GWH12MB-D3DNA3D/O
12,000 Btuh 208/230v Outdoor Unit
 Product Code: CB171W04600

| NO. | Part Code | Part Description | Qty |
|-----|-------------|--------------------------------|-----|
| 1 | 01473012 | Front Grille | 1 |
| 2 | 0153501201 | Front Panel | 1 |
| 3 | 10333012 | Axial Flow Fan | 1 |
| 4 | 15013159 | Fan Motor | 1 |
| 5 | 02803076P | Chassis Sub-Assy | 1 |
| 6 | 76513004 | Electrical Heater (Compressor) | 1 |
| 7 | 00103851 | Compressor and Fittings | 1 |
| 8 | 76710290 | Compressor Grommet | 3 |
| 9 | 43130185 | Reactor | 1 |
| 10 | 01713041 | Valve Support | 1 |
| 11 | 07100005 | Gas Line Valve 3/8-in | 1 |
| 12 | 07100003 | Liquid Line Valve 1/4-in | 1 |
| 13 | 22243010 | Valve Cover | 1 |
| 14 | 02123013P | Cable Cross Plate 1 | 1 |
| 15 | 02123014P | Cable Cross Plate 2 | 1 |
| 16 | 0130509901P | Right Side Plate | 1 |
| 17 | 03123909 | 4-Way Valve Assy | 1 |
| 18 | 4300040047 | Magnet Coil | 1 |

| NO. | Part Code | Part Description | Qty |
|-----|------------|---|-----|
| 19 | 07133676 | Electric Expansion Valve Sub-Assy | 1 |
| 20 | 4300876701 | Magnet Coil | 1 |
| 21 | 01475014 | Rear Grill2 | 1 |
| 22 | 01163459 | Condenser Assy | 1 |
| 23 | 00183066 | Compressor Overload Protector(External) | 1 |
| 24 | 01233090 | Clapboard Sub-Assy | 1 |
| 25 | 01253443 | Top Cover Plate | 1 |
| 26 | 0170301002 | Motor Suport Spot Welding Sub-Assy | 1 |
| 27 | 0260309601 | Electric Control Box Cover Sub-Assy | 1 |
| 28 | 49010104 | Magnetic Ring | 1 |
| 29 | 30148248 | Main Control Board | 1 |
| 30 | 49010252 | Radiator | 1 |
| 31 | 20113005 | Electric Control Box 1 | 1 |
| 32 | 42010313 | Terminal Board | 1 |
| 33 | 71010003 | Wire Clamp | 2 |
| 34 | 02613191 | Electric Control Box Assy | 1 |
| 35 | 39000310 | Temperature Sensors Assembly** | 1 |

**Temperature Sensor Assembly contains Discharge, Coil, & Ambient Temperature sensors.

GWH18MC-D3DNA3D/I **18,000 Btuh 208/230v Indoor Unit**

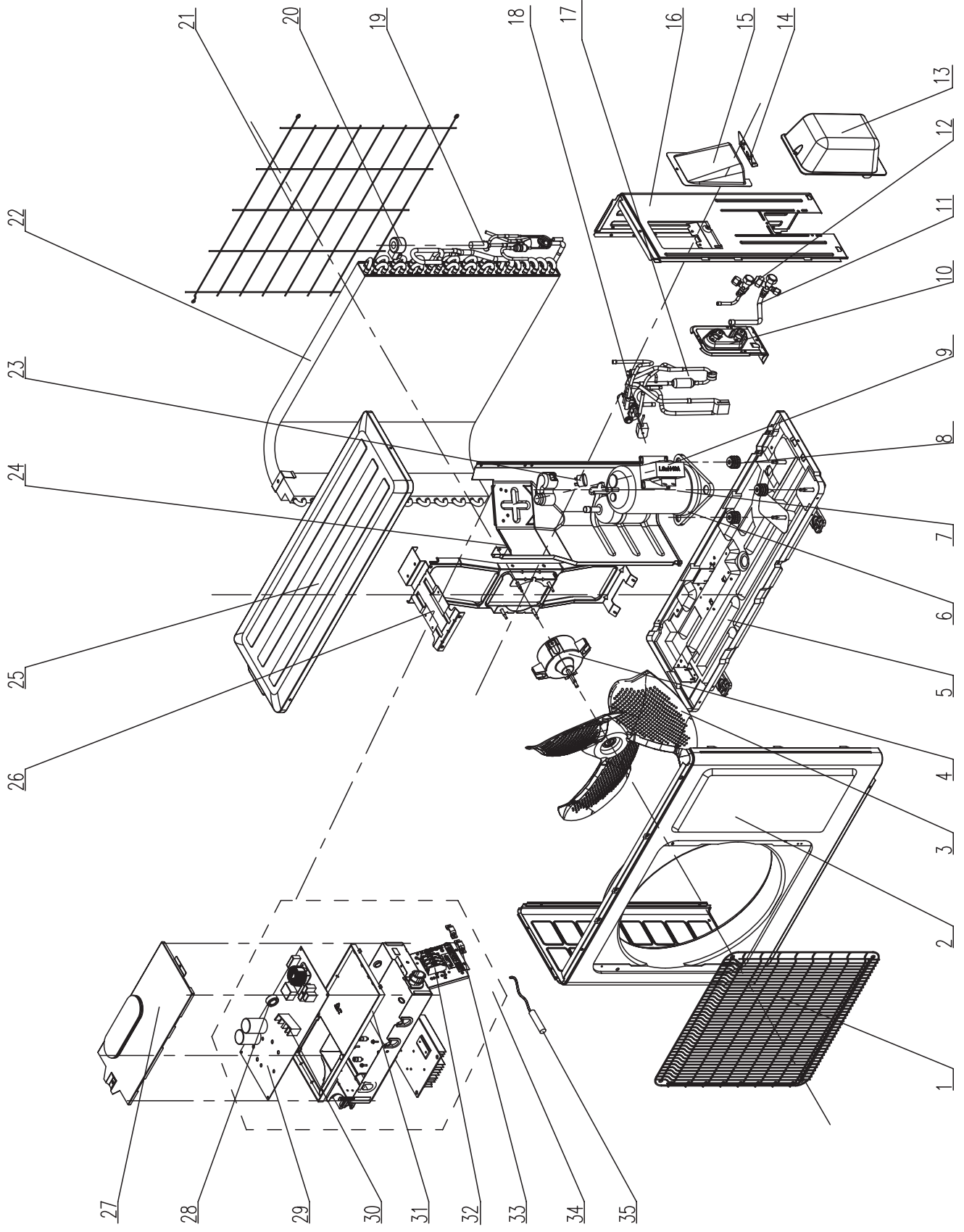


GWH18MC-D3DNA3D/I
18,000 Btuh 208/230v Indoor Unit
 Product Code: CB171N04700

| NO. | Part Code | Part Description | Qty |
|-----|------------|---------------------------|-----|
| 1 | 20012260 | Front Panel Assy | 1 |
| 2 | 1112208901 | Filter Sub-Assy | 2 |
| 3 | 24252016 | Screw Cover | 3 |
| 4 | 26112228 | Baffle Plate | 1 |
| 5 | 20022172 | Front Case Sub-Assy | 1 |
| 6 | 10512708 | Air Louver 1 | 1 |
| 7 | 10512709 | Air Louver 2 | 1 |
| 8 | 26112238 | Helicoid Tongue | 1 |
| 9 | 10512037 | Left Axial Bushing | 1 |
| 10 | 22202128 | Rear Case Assy | 1 |
| 11 | 76712012 | Drainage Tray Plug | 1 |
| 12 | 26152022 | Bearing Ring | 1 |
| 13 | 76512051 | Bearing O-Gasket Sub-Assy | 1 |
| 14 | 10352019 | Cross Flow Fan | 1 |
| 15 | 24212133 | Evaporator Coil Support | 1 |
| 16 | 01002575 | Evaporator Coil Assy | 1 |
| 17 | 01252218 | Wall Mounting Frame | 1 |
| 18 | 26112494 | Motor Press Plate | 1 |
| 19 | 1501211601 | Fan Motor | 1 |
| 20 | 26112164 | Connecting Pipe Clamp | 1 |
| 21 | 05230014 | Drain Pipe | 1 |

| NO. | Part Code | Part Description | Qty |
|-----------|------------|--------------------------------------|-----|
| 22 | 15012086 | Stepper Motor | 1 |
| 23 | 10582070 | Crank | 1 |
| 24 | 30565038 | Display Board | 1 |
| 25 | 01472015 | Mesh enclosure (air outlet) | 1 |
| 26 | 10512115 | Guide Louver | 1 |
| 27 | 10542036 | Axial Bushing | 1 |
| 28 | NA | Transformer | 0 |
| 29 | 2011210801 | Electric Control Box | 1 |
| 30 | 42011233 | Terminal Board | 1 |
| 31 | 20112081 | Electric Control Box Cover2 | 1 |
| 32 | 30138649 | Main Control Board | 1 |
| 33 | 01592092 | Shield Cover of Electric Control Box | 1 |
| 34 | 20122154 | Electric Control Box Cover1 | 1 |
| 35 | 4202300109 | Configuration Jumper Connector | 1 |
| 36 | 33010043 | Capacitor CBB61 | 1 |
| 37 | 2020210511 | Electric Control Box Assy | 1 |
| 38 | 390000453 | Ambient Temperature Sensor | 1 |
| 39 | 390000591 | Indoor Coil Temperature Sensor | 1 |
| 40 | 305100482 | Remote Control | 1 |
| Not Shown | 27210071 | Remote Control Holder/Cradle | 1 |

GWH18MC-D3DNA3D/O 18,000 Btuh 208/230v Outdoor Unit



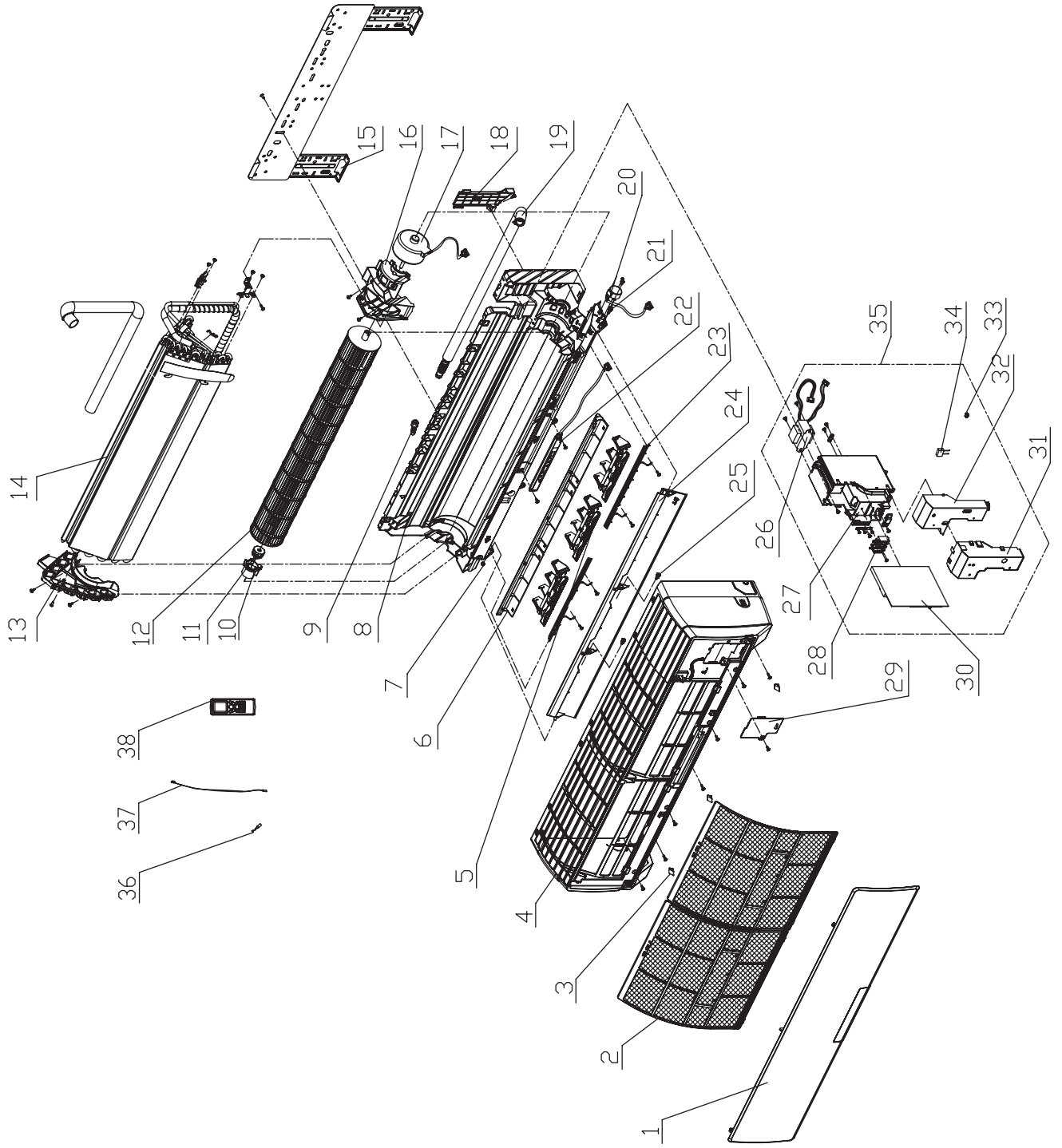
GWH18MC-D3DNA3D/O
18,000 Btuh 208/230v Outdoor Unit
 Product Code: CB171W04700

| NO. | Part Code | Part Description | Qty |
|-----|-------------|-----------------------------------|-----|
| 1 | 01473049 | Front Grille | 1 |
| 2 | 01433047P | Cabinet | 1 |
| 3 | 10335008 | Axial Flow Fan | 1 |
| 4 | 1501506402 | Fan Motor | 1 |
| 5 | 02803062P | Chassis Sub-Assy | 1 |
| 6 | NA | Electrical Heater (Compressor) | 0 |
| 7 | 00105241 | Compressor and Fittings | 1 |
| 8 | 76715021 | Compressor Grommets | 3 |
| 9 | NA | Reactor | 0 |
| 10 | 01715010P | Valve support Assy | 1 |
| 11 | 071302392 | Cut-off Valve 1/2-in | 1 |
| 12 | 07130239 | Cut-off Valve 1/4-in | 1 |
| 13 | 22245002 | Valve Cover | 1 |
| 14 | NA | Cable Cross Plate 1 | 0 |
| 15 | NA | Cable Cross Plate 2 | 0 |
| 16 | 0130509403P | Right Side Plate | 1 |
| 17 | 03123891 | 4-Way Valve Assy | 1 |
| 18 | 4300040033 | 4-Way Valve Fittings | 1 |
| 19 | 07133681 | Electric Expansion Valve Sub-Assy | 1 |

| NO. | Part Code | Part Description | Qty |
|-----------|------------|---|-----|
| 20 | NA | Magnet Coil | 0 |
| 21 | 01473043 | Rear Grille | 1 |
| 22 | 01163487 | Condenser Coil Assy | 1 |
| 23 | 00183084 | Compressor Overload Protector(External) | 1 |
| 24 | 01232902 | Clapboard Sub-Assy | 1 |
| 25 | 01255005P | Top Cover | 1 |
| 26 | 01705036 | Motor Support Sub-Assy | 1 |
| 27 | NA | Electric Control Box Cover Sub-Assy | 0 |
| 28 | NA | Magnetic Ring | 0 |
| 29 | 30148250 | Main Control Board | 1 |
| 30 | 49010252 | Radiator | 1 |
| 31 | 20113027 | Electric Control Box | 1 |
| 32 | 42010255 | Terminal Board | 1 |
| 33 | 71010003 | Wire Clamp | 1 |
| 34 | 02603937 | Electric Control Box Assy | 1 |
| 35 | 3900030901 | Temperature Sensors Assembly** | 1 |
| Not Shown | 39000072 | Low Ambient Tube Temperature Sensor | 1 |

**Temperature Sensor Assembly contains Discharge, Coil, & Ambient Temperature sensors.

GWH24MD-D3DNA3D/I **24,000 Btuh 208/230v Indoor Unit**

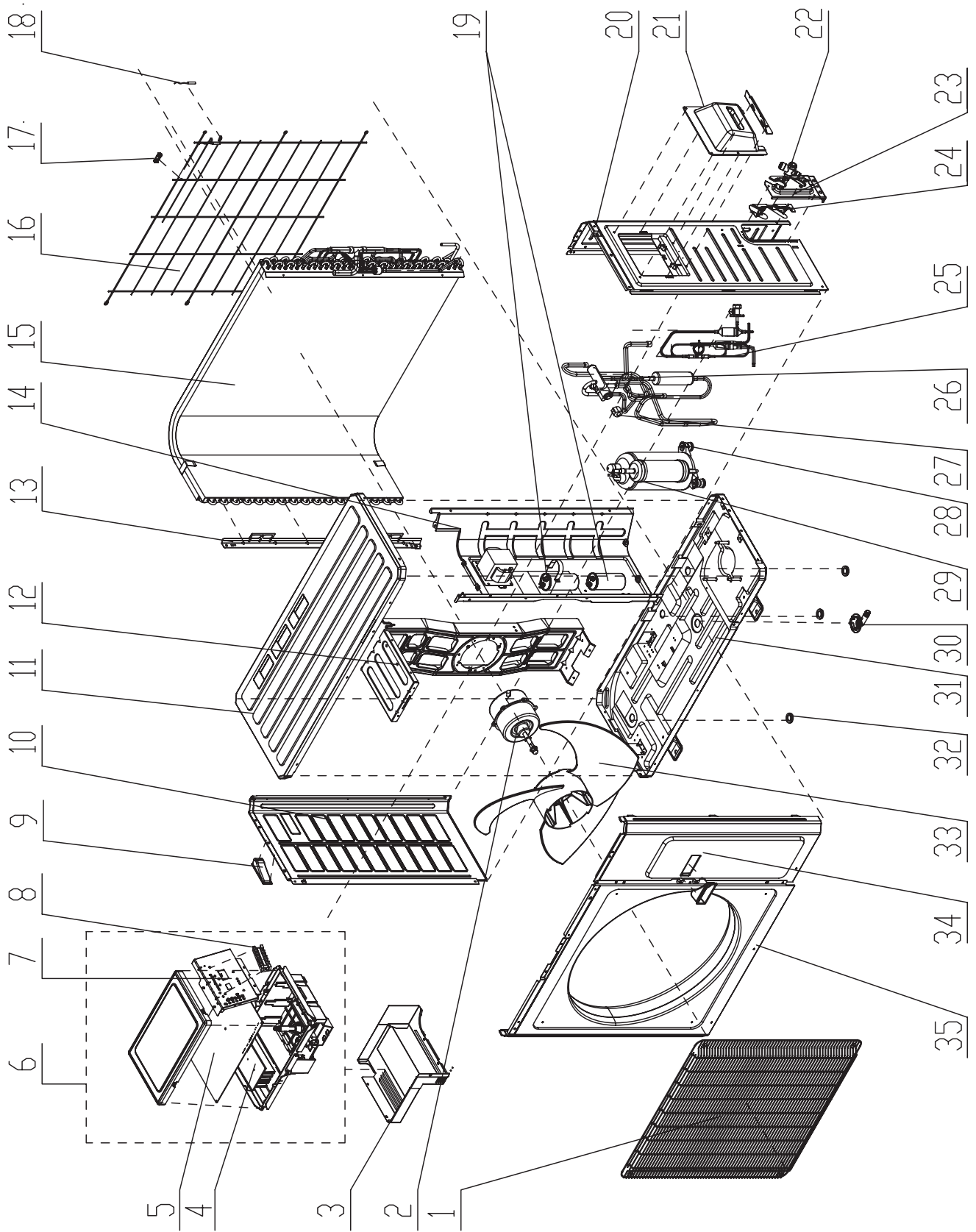


GWH24MD-D3DNA3D/I
24,000 Btuh 208/230v Indoor Unit
 Product Code: CB171N07000

| NO. | Part Code | Part Description | Qty |
|-----|------------|---------------------------|-----|
| 1 | 20012328 | Front Panel Assy | 1 |
| 2 | 11122091 | Filter Sub-Assy | 2 |
| 3 | 24252016 | Screw Cover | 3 |
| 4 | 2001232901 | Front Case Assy | 1 |
| 5 | 10512141 | Air Louver | 3 |
| 6 | 26112187 | Helicoid tongue | 1 |
| 7 | 10512037 | Left Axial Bushing | 1 |
| 8 | 2220211701 | Rear Case Assy | 1 |
| 9 | 76712012 | Drainage Tray Plug | 1 |
| 10 | 26152025 | Bearing Ring | 1 |
| 11 | 76512051 | Bearing O-Gasket Sub-Assy | 1 |
| 12 | 10352030 | Cross Flow Fan | 1 |
| 13 | 24212103 | Evaporator Coil Support | 1 |
| 14 | 0100257204 | Evaporator Coil Assy | 1 |
| 15 | 01252032 | Wall Mounting Frame | 1 |
| 16 | 26112316 | Motor Press Plate | 1 |
| 17 | 15012136 | Fan Motor | 1 |
| 18 | 26112188 | Connecting Pipe Clamp | 1 |
| 19 | 0523001401 | Drainage Hose | 1 |
| 20 | 1521300101 | Stepper Motor | 1 |

| NO. | Part Code | Part Description | Qty |
|-----------|------------|--------------------------------------|-----|
| 21 | 10582070 | Crank | 1 |
| 22 | 305665038 | Display Board | 1 |
| 23 | 01472016 | Rear Grille | 1 |
| 24 | 10512118 | Guide Louver | 1 |
| 25 | 10542036 | Axial Bushing | 2 |
| 26 | NA | Transformer | 0 |
| 27 | 2011210801 | Electric Control Box | 1 |
| 28 | 42011233 | Terminal Board | 1 |
| 29 | 20112081 | Electric Control Box Cover2 | 1 |
| 30 | 30148236 | Main Control Board | 1 |
| 31 | 01592092 | Shield Cover of Electric Control Box | 1 |
| 32 | 20122154 | Electric Control Box Cover1 | 1 |
| 33 | 4202300108 | Configeration Jumper Connector | 1 |
| 34 | NA | Capacitor CBB61 | 0 |
| 35 | 20302425 | Electric Control Box Assy | 1 |
| 36 | 390000451 | Ambient Temperature Sensor | 1 |
| 37 | 390000598 | Indoor Coil Temperature Sensor | 1 |
| 38 | 305100482 | Remote Control | 1 |
| Not Shown | 27210071 | Remote Control Holder/Cradle | 1 |

GWH24MD-D3DNA3D/O 24,000 Btuh 208/230v Outdoor Unit



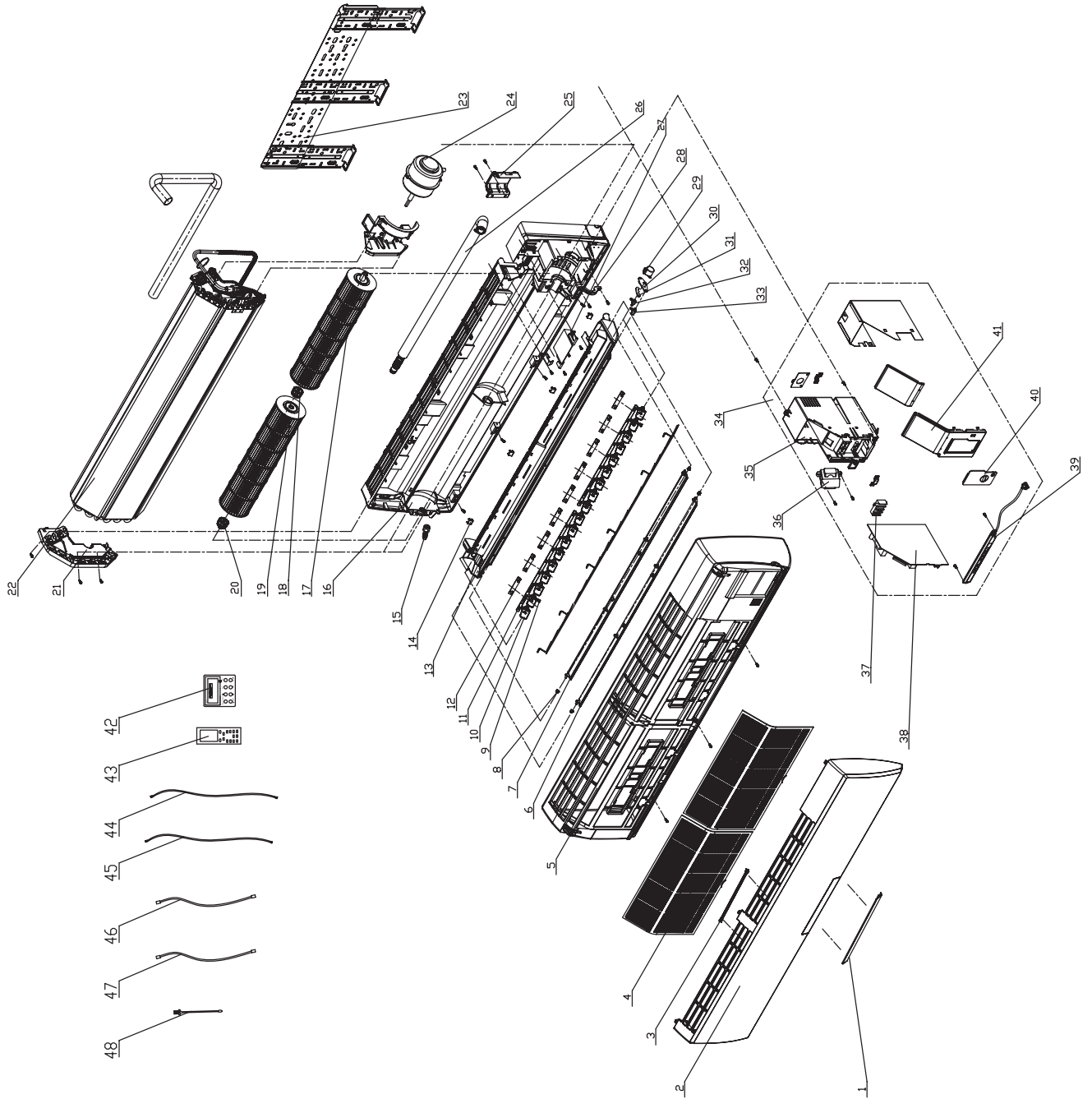
GWH24MD-D3DNA3D/O
24,000 Btuh 208/230v Outdoor Unit
 Product Code: CB171W07000

| NO. | Part Code | Part Description | Qty |
|-----|-------------|-------------------------------------|-----|
| 1 | 01473050 | Front Grille | 1 |
| 2 | 1501506205 | Fan Motor | 1 |
| 3 | NA | Electric Control Box (Fireproofing) | 0 |
| 4 | 49010252 | Radiator | 1 |
| 5 | 30148256 | Main Control Board | 1 |
| 6 | 02603939 | Electric Control Box Assy | 1 |
| 7 | 01713175A | Terminal Board Support Sub-Assy | 1 |
| 8 | 42010255 | Terminal Board | 1 |
| 9 | 26235401 | Left Handle | 2 |
| 10 | 01305043P | Left Side Plate | 1 |
| 11 | 01255006P | Top Cover | 1 |
| 12 | 01705025 | Motor Support Sub-Assy | 1 |
| 13 | 01175092 | Condenser Coil Support Plate | 1 |
| 14 | 01233164 | Clapboard Assy | 1 |
| 15 | 01163427 | Condenser Coil Assy | 1 |
| 16 | 01475013 | Rear Grille | 1 |
| 17 | 71010003 | Wire Clamp | 1 |
| 18 | 3900030901 | Temperature Sensors Assembly** | 1 |
| 19 | 33010011 | Capacitor CBB61 | 1 |
| 20 | 0130504402P | Right Side Plate | 1 |
| 21 | 02115005 | Big Handle | 1 |

| NO. | Part Code | Part Description | Qty |
|-----------|-------------|---|-----|
| 22 | 07133157 | Cut-off Valve 5/8-in | 1 |
| 23 | 0171501201 | Valve Support Sub-Assy | 1 |
| 24 | 01365435P | Baffle (Valve Support) | 1 |
| 25 | NA | Capillary Tube | 0 |
| 26 | 03123863 | 4-Way Valve Assy | 1 |
| 27 | 4300040045 | Magnet Coil (4-Way Valve) | 1 |
| 28 | 76715021 | Compressor Grommets | 3 |
| 29 | 00103873 | Compressor and Fittings | 1 |
| 30 | 06123401 | Drainage Connector | 1 |
| 31 | 02803080P | Chassis Sub-Assy | 1 |
| 32 | 06813401 | Drainage Hole Cap | 3 |
| 33 | 10335014 | Axial Flow Fan | 1 |
| 34 | 01303249P | Front Side Plate Sub-Assy | 1 |
| 35 | 0143500401P | Cabinet | 1 |
| Not Shown | 00183043 | Compressor Overload Protector(External) | 1 |
| Not Shown | 07130239 | Cut-off Valve 1/4-in | 1 |
| Not Shown | 4300876705 | Electric expand valve fitting | 1 |
| Not Shown | 02113109 | Handle Assy | 1 |
| Not Shown | 39000072 | Low Ambient Tube Temperature Sensor | 1 |

**Temperature Sensor Assembly contains Discharge, Coil, & Ambient Temperature sensors.

GWH30LB-D3DNA3E/I 31,000 Btuh 208/230v Indoor Unit

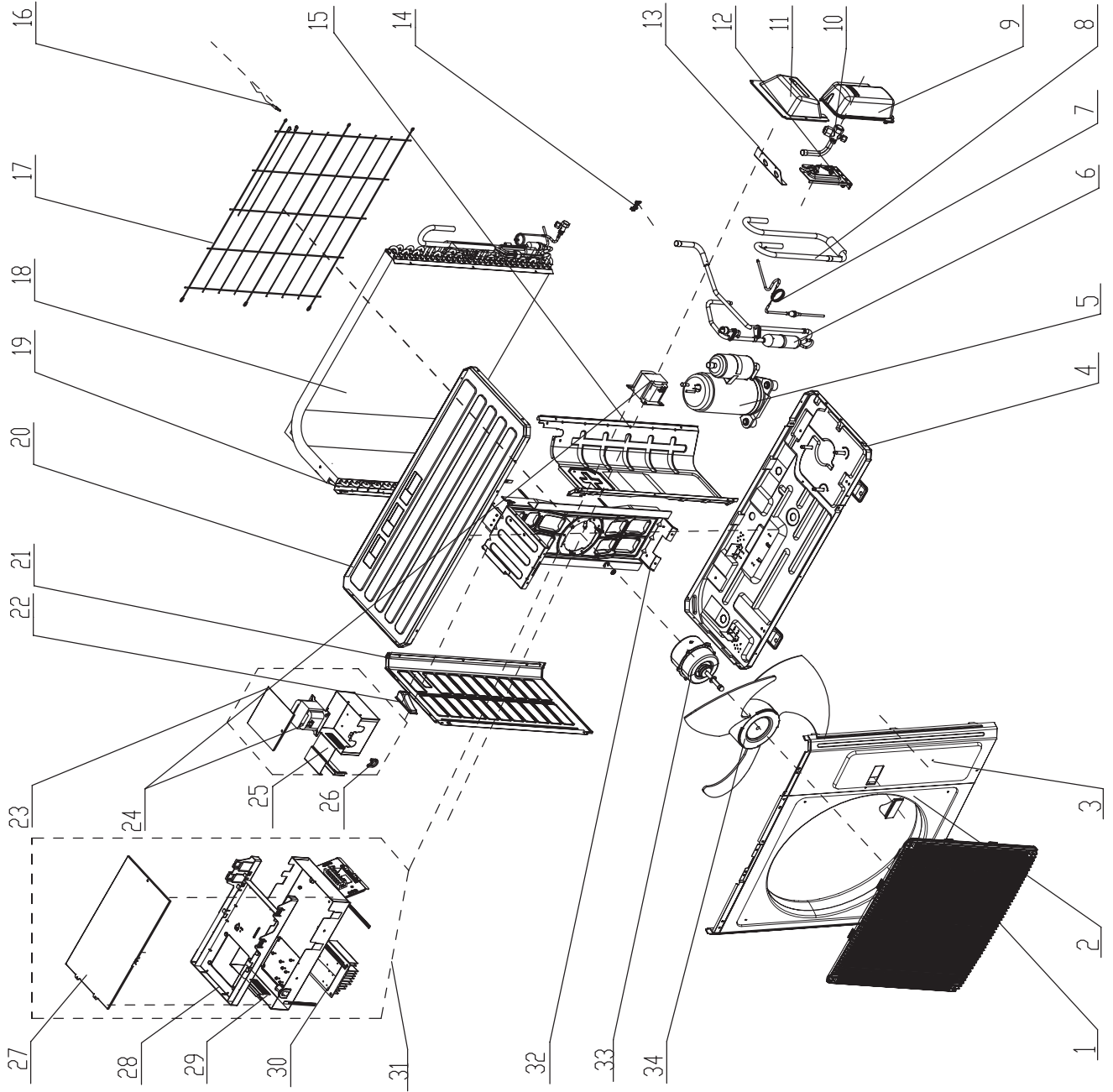


GWH30LB-D3DNA3E/I
30,000 Btuh 208/230v Indoor Unit
 Product Code: CB171W07000

| NO. | Part Code | Part Description | Qty |
|-----------|------------|------------------------------|-----|
| 1 | 22432164 | Receiver Window | 1 |
| 2 | 20012490S | Front Panel | 1 |
| 3 | 24212120 | Stand bar | 1 |
| 4 | 11122106 | Filter Sub-Assy | 2 |
| 5 | 20022159 | Front Case Sub-Assy | 1 |
| 6 | 10512166 | Upper Guide Louver | 1 |
| 7 | 10512167 | Lower guide louver | 1 |
| 8 | 10542704 | Axial Bushing | 6 |
| 9 | 10512169 | Air Louver 2 | 2 |
| 10 | 10512168 | Air Louver 1 | 16 |
| 11 | 10582086 | Connecting Rod | 2 |
| 12 | 26112158 | Louver Clamp | 9 |
| 13 | 20182138 | Drainage Tray | 1 |
| 14 | 242520053 | Screw Cover | 4 |
| 15 | 76712012 | Drainage Tray Plug | 1 |
| 16 | 22202166 | Rear Case Sub-Assy | 1 |
| 17 | 10352039 | Cross Flow Fan 1 | 1 |
| 18 | 26152028 | Bearing Holder Sub-Assy | 1 |
| 19 | 10352040 | Cross Flow Fan 2 | 1 |
| 20 | 76512051 | Bearing O-Gasket Sub-Assy | 1 |
| 21 | 24212041 | Left Evaporator Coil Support | 1 |
| 22 | 01002758 | Evaporator Coil Assy | 1 |
| Not Shown | 2112009 | Fixed Clip (Evaporator) | 1 |
| 23 | 01252398 | Wall Mounting Frame | 1 |
| 24 | 15012107 | Fan Motor | 1 |
| 25 | 26112071 | Pipe Clamp | 1 |
| 26 | 0523001404 | Drainage Pipe | 1 |

| NO. | Part Code | Part Description | Qty |
|-----------|-------------|--------------------------------|-----|
| 27 | 20122124 | Cover Plate | 1 |
| 28 | 26112354 | Motor Fixed Clip | 1 |
| 29 | 1521210701 | Stepper Motor | 1 |
| 30 | 26112070 | Press Plate(Crank) | 1 |
| 31 | 10582041 | Crank-Guide | 1 |
| 32 | 10562004 | Upper Crank | 1 |
| 33 | 10562005 | Lower Crank | 1 |
| Not Shown | 1472022 | Grille | 1 |
| Not Shown | 1472023 | Grille | 1 |
| 34 | 20302262 | Electric Control Box Assy | 1 |
| 35 | 201022501 | Electric Control Box | 1 |
| 36 | 43110258 | Transformer | 1 |
| 37 | 42011233 | Terminal Board | 1 |
| 38 | 30138945 | Main Control Board | 1 |
| Not Shown | 33010737 | Capacitor CBB61 | 1 |
| 39 | 30565087 | Display Board | 1 |
| 40 | 20102252 | Electric Control Box Cover | 1 |
| 41 | 2011204402S | Electric Control Box Cover | 1 |
| 42 | 30565087 | Display Board | 1 |
| 43 | 305100621 | Remote Control | 1 |
| Not Shown | 27210071 | Remote Control Holder/Cradle | 1 |
| 44 | NA | Connecting Cable | 0 |
| 45 | NA | Line Cable | 0 |
| 46 | 4003008721 | Signal Wire | 1 |
| 47 | 390000591 | Indoor Coil Temperature Sensor | 1 |
| 48 | 390000451 | Ambient Temperature Sensor | 1 |
| Not Shown | 4202300107 | Configeration Jumper Connector | 1 |

GWH30LB-D3DNA3E/O 30,000 Btuh 208/230v Outdoor Unit



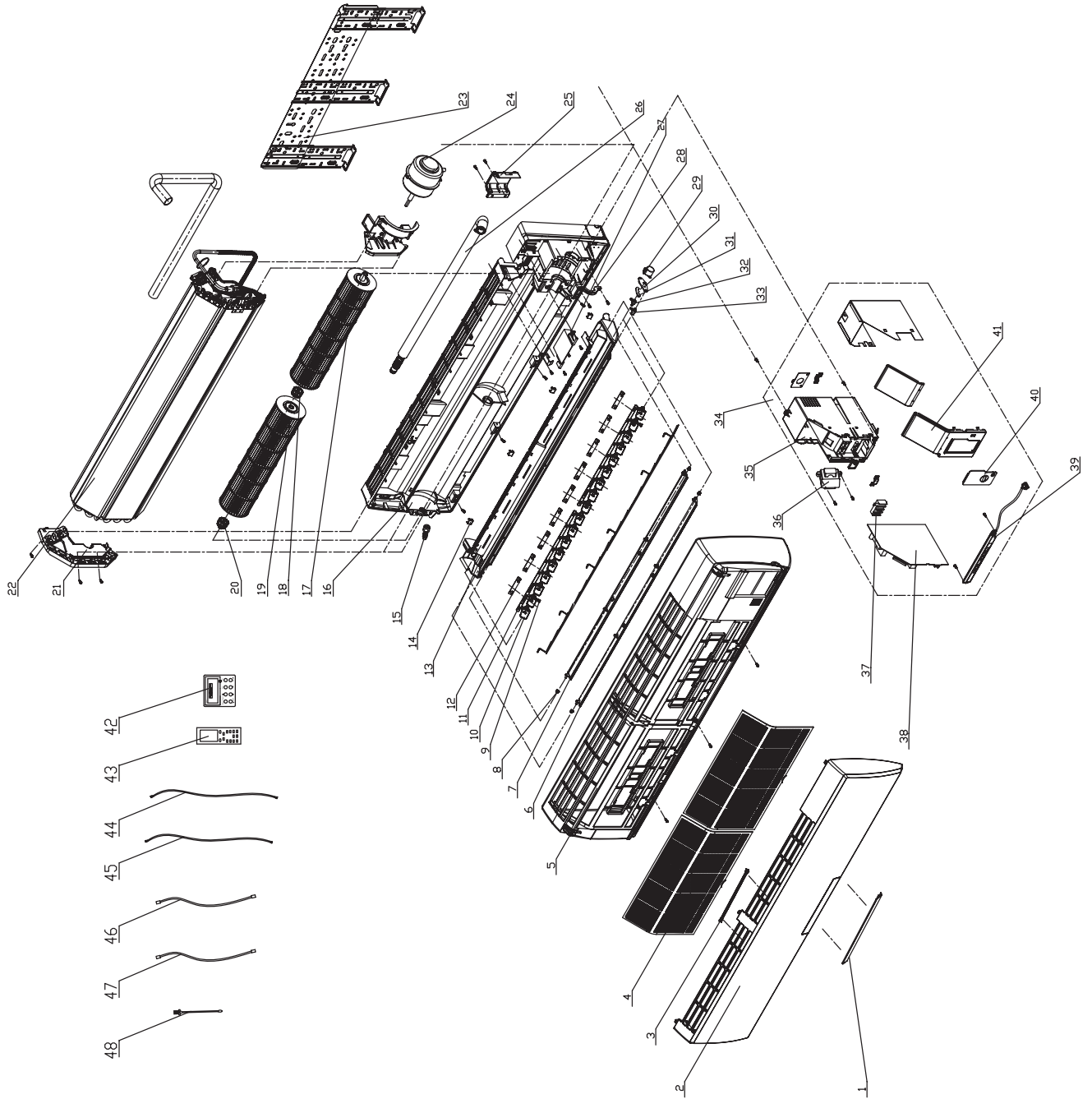
GWH30LB-D3DNA3E/O
30,000 Btuh 208/230v Outdoor Unit
 Product Code: CB171W07100

| NO. | Part Code | Part Description | Qty |
|-----------|-------------|---|-----|
| 1 | 01473050 | Front Grille | 1 |
| 2 | 0143500401P | Cabinet | 1 |
| 3 | 01305086P | Front Side Plate | 1 |
| 4 | 02803101P | Chassis Sub-Assy | 1 |
| 5 | 00105051 | Compressor and Fittings | 1 |
| Not Shown | 00180030 | Compressor Overload Protector(External) | 1 |
| Not Shown | 46020006 | Pressure Protect Switch | 1 |
| 6 | NA | Oil Separator | 0 |
| 7 | 81028009 | Capillary Sub-Assy | 1 |
| Not Shown | 4300008201 | 4-Way Valve | 1 |
| Not Shown | 03123895 | 4-Way Valve Assy | 1 |
| 8 | 03753247 | Suction/Inhalation Tube | 1 |
| Not Shown | 46020003 | Pressure Protect Switch | 1 |
| Not Shown | 07133688 | Electric Expansion Valve Sub-Assy | 1 |
| Not Shown | 4300876703 | Electric Expand Valve Fitting | 1 |
| Not Shown | 07138807 | Electric Expansion Valve | 1 |
| 9 | 22245003 | Valve Cover | 1 |
| 10 | 07133157 | Cut-off Valve 5/8-in | 1 |
| 11 | 02113109 | Handle Assy | 1 |
| 12 | 0171501201P | Valve Support Sub-Assy | 1 |
| 13 | 02115006P | Block | 1 |
| 14 | 26115004 | Wiring Clamp | 1 |
| 15 | 01233134 | Clapboard | 1 |
| 16 | 3900031001 | Temperature Sensors Assembly** | 1 |
| 17 | 01475013 | Rear Grille | 1 |

| NO. | Part Code | Part Description | Qty |
|-----------|------------|-------------------------------------|-----|
| 18 | 01163509 | Condenser Coil Assy | 1 |
| 19 | 01175092 | Condenser Coil Support Plate | 1 |
| 20 | 01255007 | Top Cover Sub-Assy | 1 |
| 21 | 01305043P | Left Side Plate | 1 |
| 22 | 26235401 | Left Handle | 1 |
| 23 | 01425279 | Electric Control Box Cover | 1 |
| 24 | 43130192 | Reactor | 2 |
| 25 | 02603620 | Electric Control Box Sub-Assy 1 | 1 |
| 26 | 76512008 | Cable-Cross Loop | 1 |
| Not Shown | 30148338 | Main Control Board | 1 |
| Not Shown | 76614102 | Pass Wire Ring Sub-Assy | 2 |
| Not Shown | 49010109 | Magnetic Ring | 1 |
| Not Shown | 4300040029 | Magnet Coil | 1 |
| Not Shown | 765100047 | Electrical Heater | 1 |
| Not Shown | 7651873209 | Electrical heater | 1 |
| 27 | 01425281 | Electric Control Box Cover | 1 |
| 28 | 20113021 | Electric Control Box 3 | 1 |
| 29 | 02603614 | Electric Control Box Cover Sub-Assy | 1 |
| 30 | 49010252 | Radiator | 1 |
| 31 | 02613050 | Electric Control Box Assy | 1 |
| 32 | 01802876 | Motor Support Sub-Assy | 1 |
| 33 | 15702802 | Fan Motor | 1 |
| 34 | 10335005 | Axial Flow Fan | 1 |
| Not Shown | 39000072 | Low Ambient Tube Temperature Sensor | 1 |

**Temperature Sensor Assembly contains Discharge, Coil, & Ambient Temperature sensors.

GWH36LB-D3DNA3E/I 36,000 Btuh 208/230v Indoor Unit

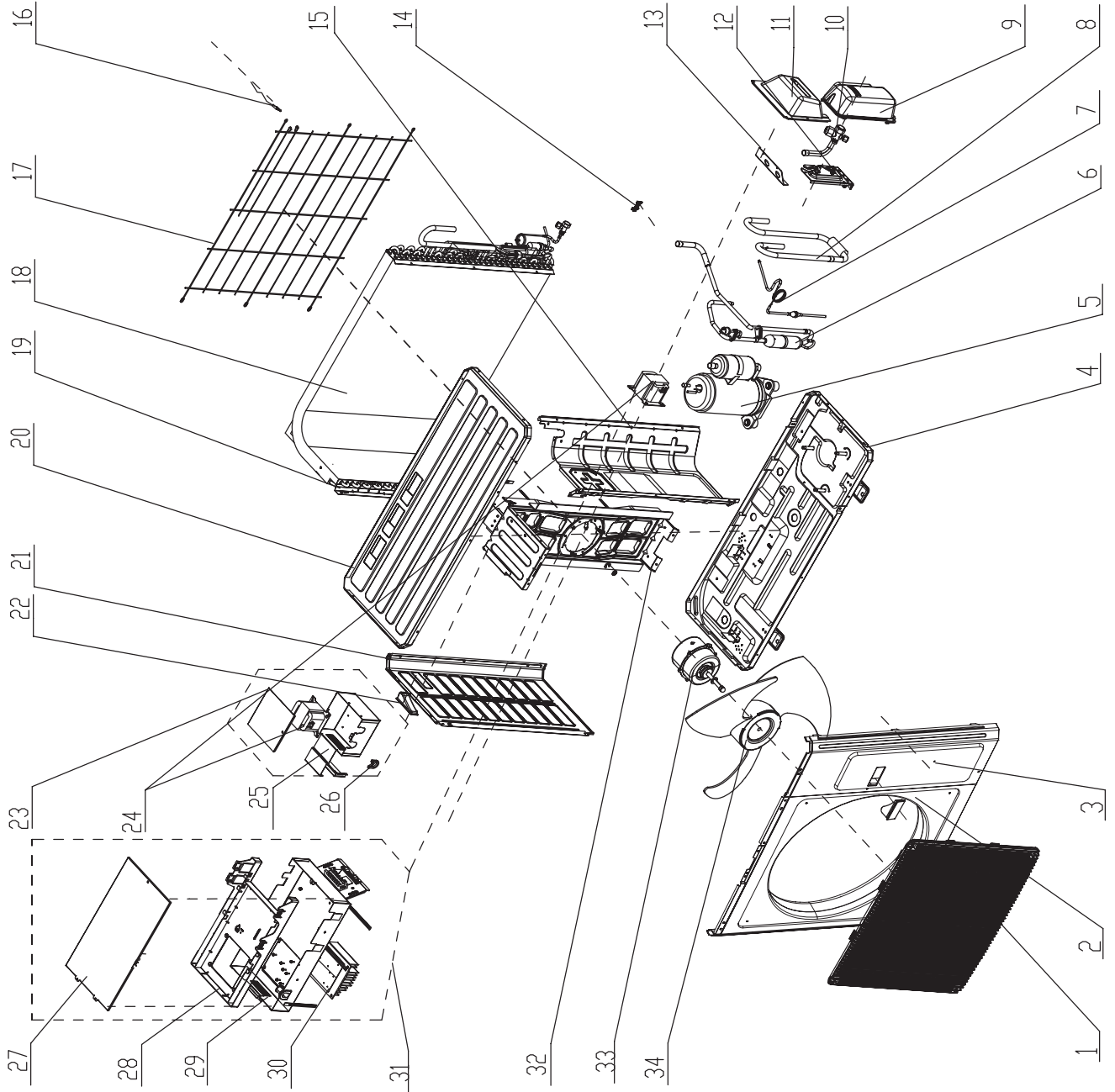


GWH36LB-D3DNA3E/I
36,000 Btuh 208/230v Indoor Unit
 Product Code: CB171N07200

| NO. | Part Code | Part Description | Qty |
|-----|------------|------------------------------|-----|
| 1 | 22432164 | Receiver Window | 1 |
| 2 | 20012490S | Front Panel | 1 |
| 3 | 24212120 | Stand Bar | 1 |
| 4 | 11122106 | Filter Sub-Assy | 2 |
| 5 | 20022159 | Front Case Sub-Assy | 1 |
| 6 | 10512166 | Upper Guide Louver | 1 |
| 7 | 10512167 | Lower guide louver | 1 |
| 8 | 10542704 | Axial Bushing | 6 |
| 9 | 10512169 | Air Louver 2 | 2 |
| 10 | 10512168 | Air Louver 1 | 16 |
| 11 | 10582086 | Connecting Rod | 2 |
| 12 | 26112158 | Louver Clamp | 9 |
| 13 | 20182138 | Drainage Tray | 1 |
| 14 | 242520053 | Screw Cover | 4 |
| 15 | 76712012 | Drainage Tray Plug | 1 |
| 16 | 22202166 | Rear Case Sub-Assy | 1 |
| 17 | 10352039 | Cross Flow Fan 1 | 1 |
| 18 | 26152028 | Bearing Holder Sub-Assy | 1 |
| 19 | 10352040 | Cross Flow Fan 2 | 1 |
| 20 | 76512051 | Bearing O-Gasket Sub-Assy | 1 |
| 21 | 24212041 | Left Evaporator Coil Support | 1 |
| 22 | 01002758 | Evaporator Coil Assy | 1 |
| 23 | 01252398 | Wall Mounting Frame | 1 |
| 24 | 150121073 | Fan Motor | 1 |
| 25 | 26112071 | Pipe Clamp | 1 |
| 26 | 0523001404 | Drainage Pipe | 1 |
| 27 | 20122124 | Cover Plate | 1 |
| 28 | 26112354 | Motor Fixed Clip | 1 |

| NO. | Part Code | Part Description | Qty |
|-----------|-------------|---------------------------------------|-----|
| 29 | 1521210701 | Stepper Motor | 1 |
| 30 | 26112070 | Press Plate(Crank) | 1 |
| 31 | 10582041 | Crank-Guide | 1 |
| 32 | 10562004 | Upper Crank | 1 |
| 33 | 10562005 | Lower Crank | 1 |
| Not Shown | 01472022 | Grille | 1 |
| Not Shown | 01472023 | Grille | 1 |
| 34 | 20202827 | Electric Control Box Assy | 1 |
| 35 | 201022501 | Electric Control Box | 1 |
| 36 | 43110258 | Transformer | 1 |
| Not Shown | 33010737 | Capacitor CBB61 | 1 |
| 37 | 42011233 | Terminal Board | 1 |
| 38 | 30138696 | Main Control Board | 1 |
| 39 | 30565087 | Display Board | 1 |
| 40 | 20102252 | Electric Control Box Cover | 1 |
| 41 | 2011204402S | Electric Control Box Cover | 1 |
| Not Shown | 01592034 | Shield Cover for Electric Control Box | 1 |
| Not Shown | 01592033 | Shield Cover for Electric Control Box | 1 |
| 42 | 30565087 | Display Board | 1 |
| 43 | 305100621 | Remote Control | 1 |
| Not Shown | 27210071 | Remote Control Holder/Cradle | 1 |
| 44 | NA | Connecting Cable | 0 |
| 45 | NA | Line Cable | 0 |
| 46 | 4003008721 | Signal Wire | 1 |
| 47 | 390000591 | Indoor Coil Temperature Sensor | 1 |
| 48 | 390000451 | Ambient Temperature Sensor | 1 |
| Not Shown | 4202300108 | Configuration Jumper Connector | 1 |

GWH36LB-D3DNA3E/O 36,000 Btuh 208/230v Outdoor Unit



GWH36LB-D3DNA3E/O
36,000 Btuh 208/230v Outdoor Unit
 Product Code: CB171W07200

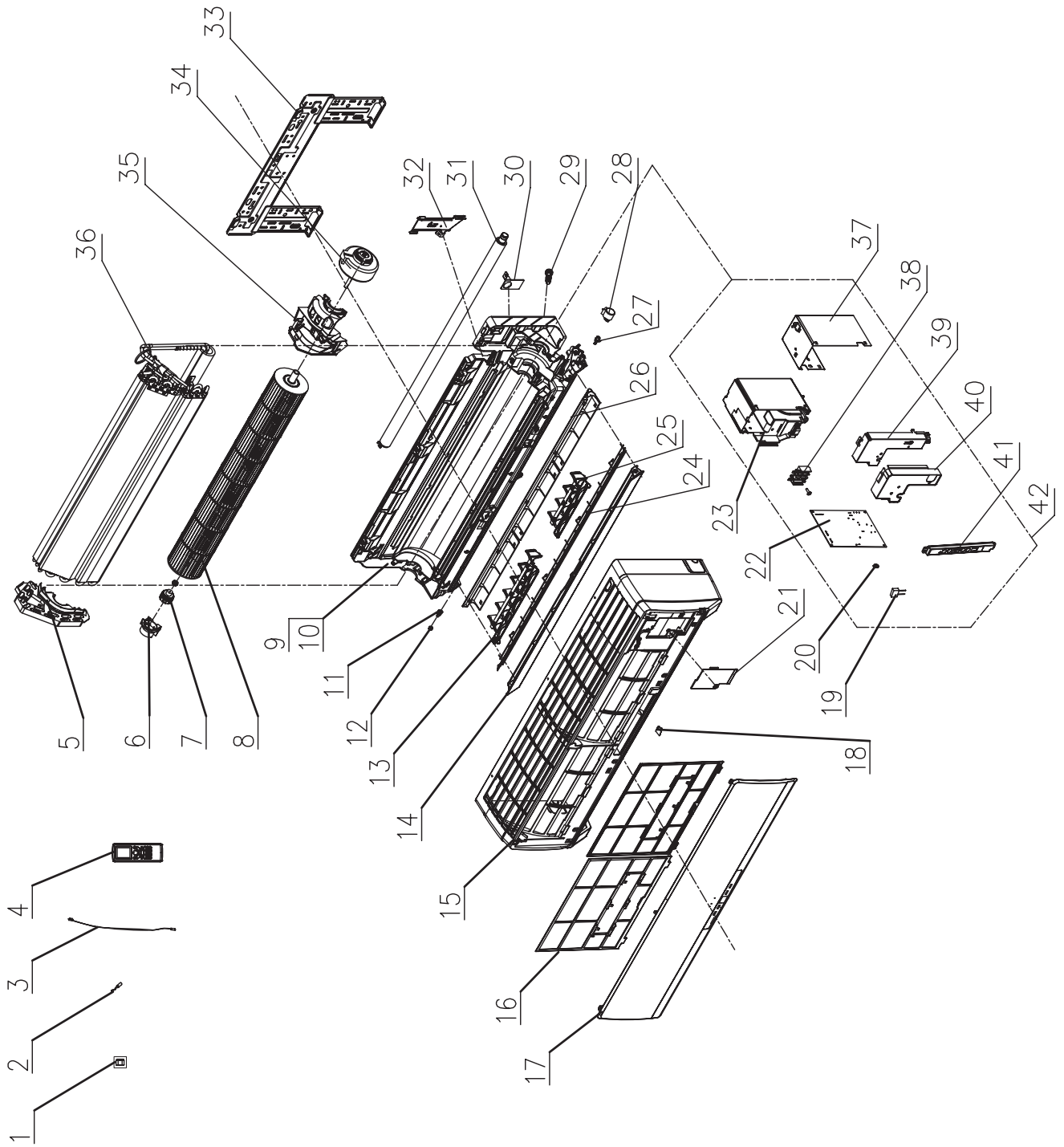
| NO. | Part Code | Part Description | Qty |
|-----------|-------------|----------------------------------|-----|
| 1 | 01473050 | Front Grille | 1 |
| 2 | 0143500401P | Cabinet | 1 |
| 3 | 01305086P | Front Side Plate | 1 |
| 4 | 02803026P | Chassis Sub-Assy | 1 |
| 5 | 00205275 | Compressor and Fittings | 1 |
| Not Shown | 46020006 | Pressure Protect Switch | 1 |
| Not Shown | 00285213 | Compressor Overload Protector | 1 |
| 6 | NA | Oil Separator | 0 |
| Not Shown | 07138807 | Electric Expansion Valve | 1 |
| Not Shown | 7651873209 | Electrical Heater | 1 |
| Not Shown | 4300876703 | Electric Expansion Valve Fitting | 1 |
| 7 | NA | Capillary Sub-Assy | 0 |
| 8 | 03833107 | Suction/Inhalation Tube | 1 |
| Not Shown | 46020003 | Pressure Protect Switch | 1 |
| 9 | 22245003 | Valve Cover | 1 |
| 10 | 07133157 | Cut-off Valve 5/8-in | 1 |
| 11 | 02113109 | Handle Assy | 1 |
| 12 | 0171501201P | Valve Support Sub-Assy | 1 |
| 13 | 02115006P | Block | 1 |
| 14 | 26115004 | Wiring Clamp | 1 |
| 15 | 01233134 | Clapboard | 1 |
| 16 | 3900031001 | Temperature Sensors Assembly** | 1 |
| 17 | 01475013 | Rear Grille | 1 |
| 18 | 01163491 | Condenser Coil Assy | 1 |
| 19 | 01175037 | Condenser Coil Support Plate | 1 |

| NO. | Part Code | Part Description | Qty |
|-----------|------------|-------------------------------------|-----|
| Not Shown | 07130239 | Cut-off Valve 1/4-in | 1 |
| Not Shown | 07135054 | Liquid Valve Sub-Assy | 1 |
| Not Shown | 03123890 | 4-Way Valve Assy | 1 |
| Not Shown | 4300040029 | Magnet Coil | 1 |
| 20 | 01255007 | Top Cover Sub-Assy | 1 |
| 21 | 01305043P | Left Side Plate | 1 |
| 22 | 26235401 | Left Handle | 1 |
| 23 | 01425279 | Electric Control Box Cover | 1 |
| 24 | 43130192 | Reactor | 2 |
| Not Shown | 76614102 | Pass Wire Ring Sub-Assy | 2 |
| 25 | 02603620 | Electric Control Box Sub-Assy 1 | 1 |
| 26 | 76512008 | Cable-Cross Loop | 1 |
| 27 | 01425281 | Electric Control Box Cover | 1 |
| 28 | 20113021 | Electric Control Box 3 | 1 |
| 29 | 02603614 | Electric Control Box Cover Sub-Assy | 1 |
| Not Shown | 30148360 | Main Control Board | 1 |
| Not Shown | 42010255 | Terminal Board | 1 |
| 30 | 49010252 | Radiator | 1 |
| 31 | 02613030 | Electric Control Box Assy | 1 |
| 32 | 01802876 | Motor Support Sub-Assy | 1 |
| 33 | 1570280205 | Fan Motor | 1 |
| 34 | 10335005 | Axial Flow Fan | 1 |
| Not Shown | 39000072 | Low Ambient Tube Temperature Sensor | 1 |

**Temperature Sensor Assembly contains Discharge, Coil, & Ambient Temperature sensors.

GWC09MB-D3DNA3D/I

Cooling Only 9,000 Btuh 208/230v Indoor Unit

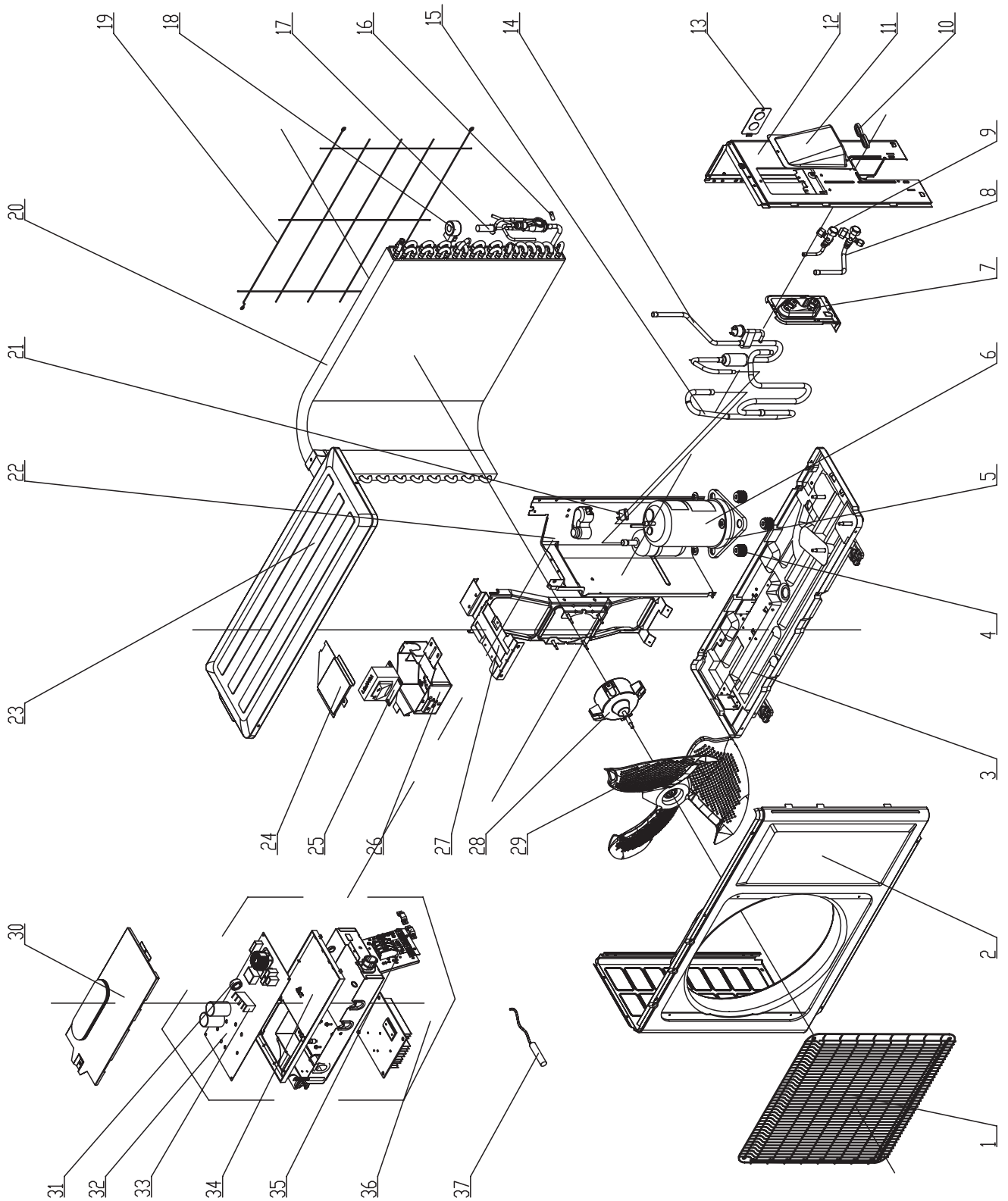


GWC09MB-D3DNA3D/I
Cooling Only 9,000 Btuh 208/230v Indoor Unit
 Product Code: CB171N06600_K78055

| NO. | Part Code | Part Description | Qty |
|-----------|------------|---------------------------------|-----|
| 1 | 6320020 | Pipe Connection Nut Accessory | 1 |
| 2 | 390000591 | Indoor Coil Temperature Sensor | 1 |
| 3 | 390000453 | Ambient Temperature Sensor | 1 |
| 4 | 305100482 | Remote Control | 1 |
| Not Shown | 27210071 | Remote Control Holder/Cradle | 1 |
| 5 | 24212091 | Evaporator Coil Support | 1 |
| 6 | 26152022 | Bearing Ring | 1 |
| 7 | 76512051 | Bearing O-Gasket Sub-Assy | 1 |
| 8 | 10352017 | Cross Flow Fan | 1 |
| 9 | 2220210309 | Rear Case Assy | 1 |
| 10 | 2220245405 | Rear Case | 1 |
| 11 | 10542036 | Axial Bushing | 1 |
| 12 | 10512037 | Left Axial Bushing | 1 |
| 13 | 10512164 | Air Louver 1 | 1 |
| 14 | 10512157 | Guide Louver | 1 |
| 15 | 2001213931 | Front Case Sub-Assy | 1 |
| 16 | 1112220403 | Filter Sub-Assy | 2 |
| 17 | 20012548 | Front Panel Sub-Assy | 1 |
| 18 | 24252016 | Screw Cover | 1 |
| 19 | 33010002 | Capacitor CBB61 | 1 |
| 20 | 4202300107 | Configuration Jumping Connector | 1 |
| 21 | 2012207504 | Electric Control Box Cover2 | 1 |

| NO. | Part Code | Part Description | Qty |
|-----|------------|--|-----|
| 22 | 30148208 | Main Control Board | 1 |
| 23 | 2011216702 | Electric Control Box | 1 |
| 24 | 01472013 | Rear Grille | 1 |
| 25 | 10512165 | Air Louver 2 | 1 |
| 26 | 26112163C | Helicoid Tongue | 1 |
| 27 | 10582070 | Crank | 1 |
| 28 | 1521212901 | Stepper Motor | 1 |
| 29 | 76712012 | Drainage Tray Plug | 1 |
| 30 | 02122019 | Cable Cross Plate | 1 |
| 31 | 0523001401 | Drainage Pipe | 1 |
| 32 | 26112164 | Pipe Clamp | 1 |
| 33 | 01252021 | Wall Mounting Frame | 1 |
| 34 | 15012089 | Fan Motor | 1 |
| 35 | 26112161 | Motor Press Plate | 1 |
| 36 | 0100232101 | Evaporator Coil Assy | 1 |
| 37 | 01592072 | Electric Control Box Lower Shield Sub-Assy | 1 |
| 38 | 42011233 | Terminal Board | 1 |
| 39 | 22242135 | Electric Control Box Cover1 | 1 |
| 40 | 01592073 | Electric Control Box Shield Cover Sub-Assy | 1 |
| 41 | 30565007 | Display Board | 1 |
| 42 | 20302408 | Electric Control Box Assy | 1 |

GWC09MB-D3DNA3D/O Cooling Only 9,000 Btuh 208/230v Outdoor Unit



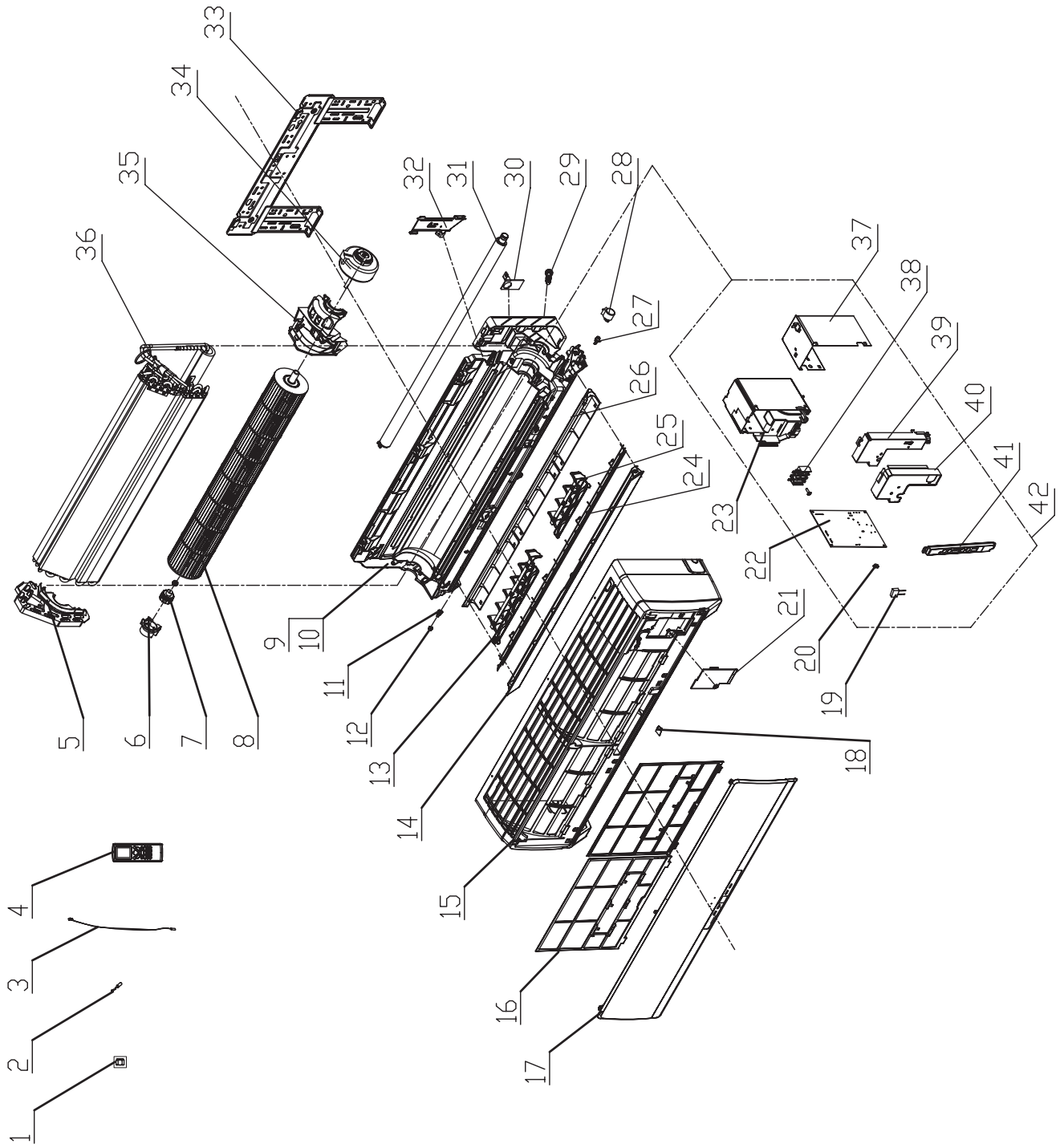
GWC09MB-D3DNA3D/O
Cooling Only 9,000 Btuh 208/230v Outdoor Unit
 Product Code: CB171W06600_K78055

| NO. | Part Code | Part Description | Qty |
|-----|-------------|-----------------------------------|-----|
| 1 | 01473012 | Front Grille | 1 |
| 2 | 0143305801P | Cabinet | 1 |
| 3 | 02803077P | Chassis Sub-Assy | 1 |
| 4 | 76710290 | Compressor Grommets | 3 |
| 5 | 76513004 | Electric Heater (Compressor) | 1 |
| 6 | 00103851 | Compressor and Fittings | 1 |
| 7 | 01713041 | Valve Support | 1 |
| 8 | 07100005 | Gas Line Valve 3/8-in | 1 |
| 9 | 07100003 | Liquid Line Valve 1/4-in | 1 |
| 10 | 76512008 | Cable-Cross Loop | 1 |
| 11 | 02123013P | Cable Cross Plate 1 | 1 |
| 12 | 0130306903 | Right Side Plate | 1 |
| 13 | 01413069 | Wire Cover | 1 |
| 14 | 03833009 | Discharge Tube Sub-assy | 1 |
| 15 | 03833006 | Suction Tube Sub-assy | 1 |
| 16 | 05212423 | Tube Sensor Bushing | 1 |
| 17 | 07133633 | Electric Expansion Valve Sub-Assy | 1 |
| 18 | 4300876701 | Magnet Coil | 1 |
| 19 | 01473057 | Rear Grille | 1 |

| NO. | Part Code | Part Description | Qty |
|-----|------------|---|-----|
| 20 | 01163412 | Condenser Coil Assy | 1 |
| 21 | 01233198 | Compressor Overload Protector(External) | 1 |
| 22 | 1233034 | Clapboard Sub-Assy | 1 |
| 23 | 01253443 | Top Cover Plate | 1 |
| 24 | 01413029 | Reactor Box Cover | 1 |
| 25 | 43130185 | Reactor | 1 |
| 26 | 01403616 | Reactor Assy | 1 |
| 27 | 01703007 | Motor Support Spot Welding Sub-Assy | 1 |
| 28 | 15013159 | Fan Motor | 1 |
| 29 | 10333012 | Axial Flow Fan | 1 |
| 30 | 0260309601 | Electric Control Box Cover Sub-Assy | 1 |
| 31 | 49010104 | Magnetic Ring | 1 |
| 32 | 30148244 | Main Control Board | 1 |
| 33 | 49010252 | Radiator | 1 |
| 34 | 20113005 | Electric Control Box 1 | 1 |
| 35 | 71010003 | Wire Clamp | 2 |
| 36 | 02603928 | Electric Control Box Assy | 1 |
| 37 | 39000310 | Temperature Sensors Assembly** | 1 |

**Temperature Sensor Assembly contains Discharge, Coil, & Ambient Temperature sensors.

GWC12MB-D3DNA3D/I
Cooling Only 12,000 Btuh 208/230v Indoor Unit

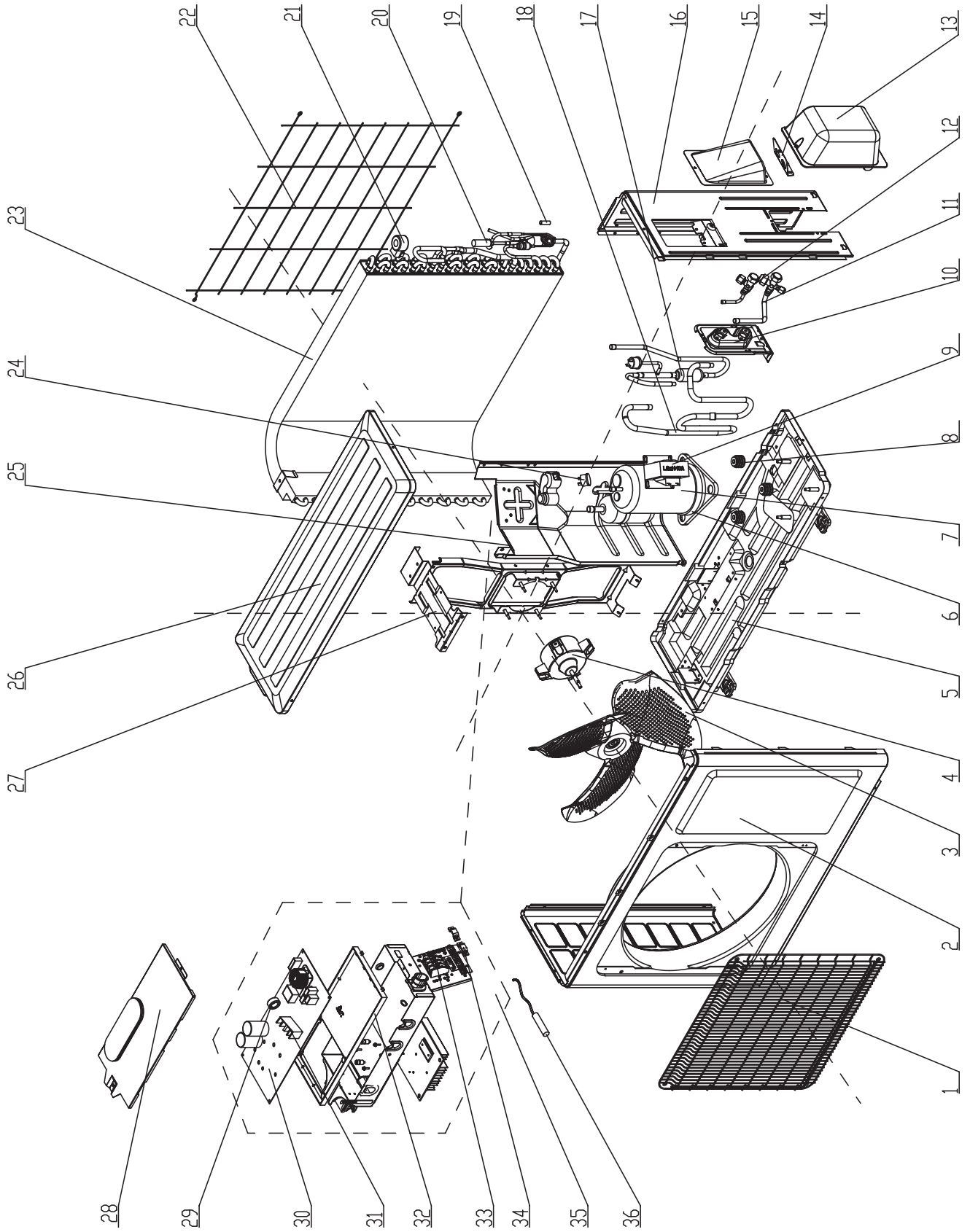


GWC12MB-D3DNA3D/I
Cooling Only 12,000 Btuh 208/230v Indoor Unit
 Product Code: CB171N06700_K78055

| NO. | Part Code | Part Description | Qty |
|-----------|------------|--------------------------------|-----|
| 1 | 06320020 | Pipe Connection Nut Accessory | 1 |
| 2 | 390000591 | Indoor Coil Temperature Sensor | 1 |
| 3 | 390000453 | Ambient Temperature Sensor | 1 |
| 4 | 305100482 | Remote Control | 1 |
| Not Shown | 27210071 | Remote Control Holder/Cradle | 1 |
| 5 | 24212091 | Evaporator Coil Support | 1 |
| 6 | 26152022 | Bearing Ring | 1 |
| 7 | 76512051 | Bearing O-Gasket Sub-Assy | 1 |
| 8 | 10352017 | Cross Flow Fan | 1 |
| 9 | 2220210309 | Rear Case Assy | 1 |
| 10 | 2220245405 | Rear Case | 1 |
| 11 | 10542036 | Axial Bushing | 1 |
| 12 | 10512037 | Left Axial Bushing | 1 |
| 13 | 10512164 | Air Louver 1 | 1 |
| 14 | 10512157 | Guide Louver | 1 |
| 15 | 2001213931 | Front Case Sub-Assy | 1 |
| 16 | 1112220403 | Filter Sub-Assy | 2 |
| 17 | 20012548 | Front Panel Sub-Assy | 1 |
| 18 | 24252016 | Screw Cover | 1 |
| 19 | 33010002 | Capacitor CBB61 | 1 |
| 20 | 4202300108 | Configeration Jumper Connector | 1 |
| 21 | 2012207504 | Electric Control Box Cover2 | 1 |
| 22 | 30148208 | Main Control Board | 1 |

| NO. | Part Code | Part Description | Qty |
|-----------|------------|--|-----|
| 23 | 2011216702 | Electric Control Box | 1 |
| 24 | 01472013 | Rear Grille | 1 |
| 25 | 10512165 | Air Louver 2 | 1 |
| 26 | 26112163C | Helicoid Tongue | 1 |
| 27 | 10582070 | Crank | 1 |
| 28 | 1521212901 | Stepper Motor | 1 |
| 29 | 76712012 | Drainage Tray Plug | 1 |
| 30 | 02122019 | Cable Cross Plate | 1 |
| 31 | 0523001401 | Drainage Pipe | 1 |
| 32 | 26112164 | Pipe Clamp | 1 |
| 33 | 01252021 | Wall Mounting Frame | 1 |
| 34 | 15012089 | Fan Motor | 1 |
| 35 | 26112161 | Motor Press Plate | 1 |
| 36 | 0100232101 | Evaporator Coil Assy | 1 |
| 37 | 01592072 | Electric Control Box Lower Shield Sub-Assy | 1 |
| 38 | 42011233 | Terminal Board | 1 |
| 39 | 22242135 | Electric Control Box Cover1 | 1 |
| 40 | 01592073 | Electric Control Box Shield Cover Sub-Assy | 1 |
| 41 | 30565007 | Display Board | 1 |
| 42 | 20302406 | Electric Control Box Assy | 1 |
| Not Shown | 111220081 | Filter | 2 |
| Not Shown | 22432230 | Receiver Window | 1 |

GWC12MB-D3DNA3D/O Cooling Only 12,000 Btuh 208/230v Outdoor Unit



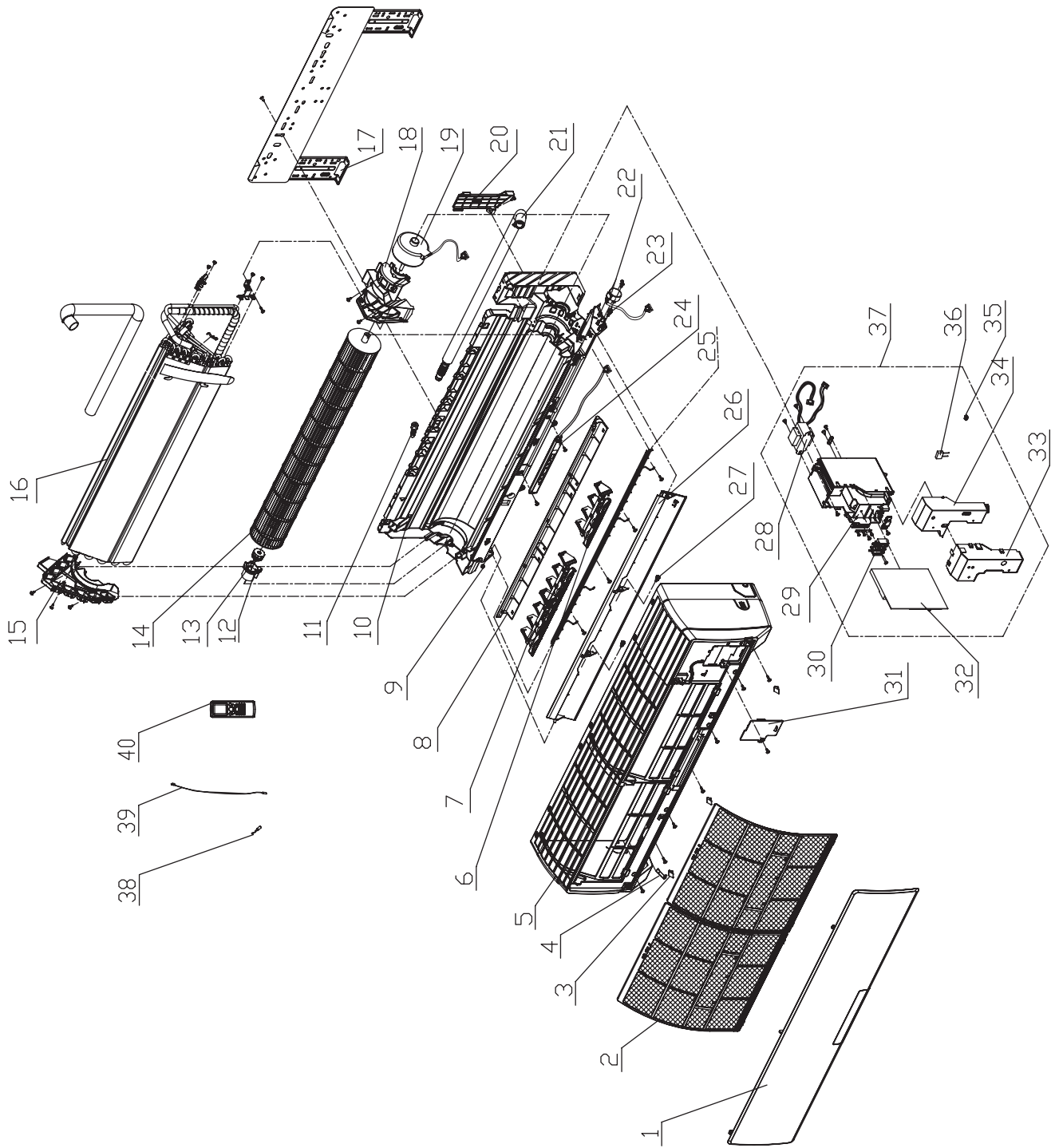
GWC12MB-D3DNA3D/O
Cooling Only 12,000 Btuh 208/230v Outdoor Unit
 Product Code: CB171W06700_K78055

| NO. | Part Code | Part Description | Qty |
|-----|-------------|-----------------------------|-----|
| 1 | 01473012 | Front Grille | 1 |
| 2 | 0153501201 | Front Panel | 1 |
| 3 | 10333012 | Axial Flow Fan | 1 |
| 4 | 15013159 | Fan Motor | 1 |
| 5 | 02803077P | Chassis Sub-Assy | 1 |
| 6 | 76513004 | Electric Heater(Compressor) | 1 |
| 7 | 00103851 | Compressor and Fittings | 1 |
| 8 | 76710290 | Compressor Grommets | 3 |
| 9 | 43130185 | Reactor | 1 |
| 10 | 01713041 | Gas Line Valve 3/8-in | 1 |
| 11 | 07100005 | Liquid Line Valve 1/4-in | 1 |
| 12 | 07100003 | Gas Line Valve | 1 |
| 13 | 22243010 | Valve Cover | 1 |
| 14 | 02123013P | Cable Cross Plate 1 | 1 |
| 15 | 02123014P | Cable Cross Plate 2 | 1 |
| 16 | 0130509901P | Right Side Plate | 1 |
| 17 | 03833008 | Discharge Tube Sub-assy | 1 |
| 18 | 03833006 | Suction Tube Sub-assy | 1 |
| 19 | 05212423 | Tube Sensor Bushing | 1 |

| NO. | Part Code | Part Description | Qty |
|-----|------------|---|-----|
| 20 | 07133676 | Electric Expansion Valve Sub-Assy | 1 |
| 21 | 4300876701 | Magnet Coil | 1 |
| 22 | 01475014 | Rear Grille | 1 |
| 23 | 01163411 | Condenser Coil Assy | 1 |
| 24 | 00183066 | Compressor Overload Protector(External) | 1 |
| 25 | 01233090 | Clapboard Sub-Assy | 1 |
| 26 | 01253443 | Top Cover Plate | 1 |
| 27 | 0170301002 | Motor Support Spot Welding Sub-Assy | 1 |
| 28 | 0260309601 | Electric Box Cover Sub-Assy | 1 |
| 29 | 49010104 | Magnetic Ring | 1 |
| 30 | 30148247 | Main Control Board | 1 |
| 31 | 49010252 | Radiator | 1 |
| 32 | 20113005 | Electric Box 1 | 1 |
| 33 | 42010313 | Terminal Board | 1 |
| 34 | 71010003 | Wire Clamp | 2 |
| 35 | 02603927 | Electric Box Assy | 1 |
| 36 | 39000310 | Temperature Sensors Assembly** | 1 |
| 37 | 39000310 | Temperature Sensors Assembly** | 1 |

**Temperature Sensor Assembly contains Discharge, Coil, & Ambient Temperature sensors.

GWC18MC-D3DNA3D/I Cooling Only 18,000 Btuh 208/230v Indoor Unit

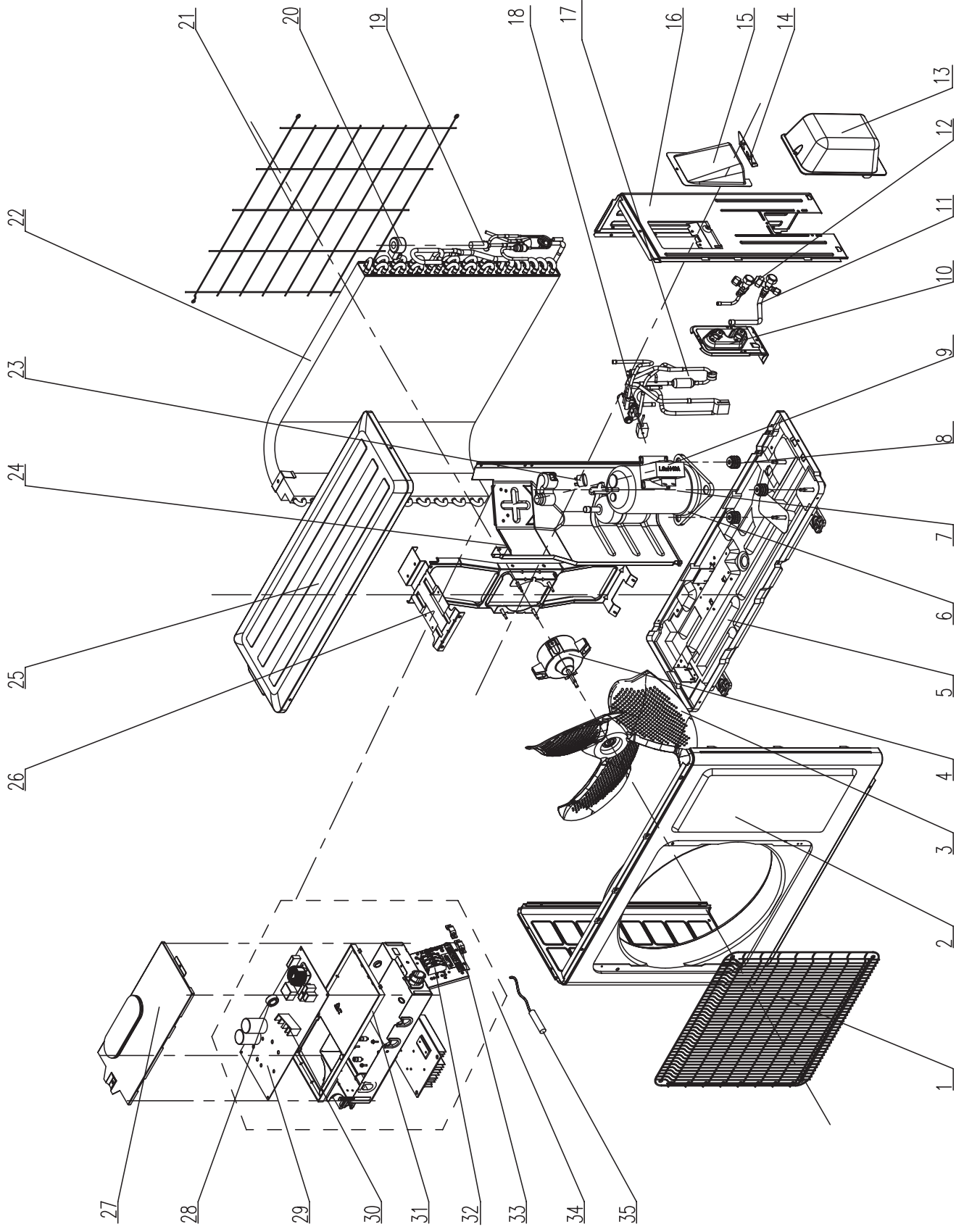


GWC18MC-D3DNA3D/I
Cooling Only 18,000 Btuh 208/230v Indoor Unit
 Product Code: CB171N06800_K78055

| NO. | Part Code | Part Description | Qty |
|-----|------------|---------------------------|-----|
| 1 | 20012260 | Front Panel Assy | 1 |
| 2 | 1112208901 | Filter Sub-Assy | 2 |
| 3 | 24252016 | Screw Cover | 3 |
| 4 | 26112228 | Baffle Plate | 1 |
| 5 | 20022172 | Front Case Sub-Assy | 1 |
| 6 | 10512708 | Air Louver 1 | 1 |
| 7 | 10512709 | Air Louver 2 | 1 |
| 8 | 26112238 | Helicoid Tongue | 1 |
| 9 | 10512037 | Left Axial Bushing | 1 |
| 10 | 22202128 | Rear Case Assy | 1 |
| 11 | 76712012 | Drainage Tray Plug | 1 |
| 12 | 26152022 | Bearing Ring | 1 |
| 13 | 76512051 | Bearing O-Gasket Sub-Assy | 1 |
| 14 | 10352019 | Cross Flow Fan | 1 |
| 15 | 24212133 | Evaporator Coil Support | 1 |
| 16 | 01002575 | Evaporator Coil Assy | 1 |
| 17 | 01252218 | Wall Mounting Frame | 1 |
| 18 | 26112494 | Motor Press Plate | 1 |
| 19 | 1501211601 | Fan Motor | 1 |
| 20 | 26112164 | Pipe Clamp | 1 |
| 21 | 05230014 | Drain Pipe | 1 |

| NO. | Part Code | Part Description | Qty |
|-----------|------------|-----------------------------------|-----|
| 22 | 15012086 | Stepper Motor | 1 |
| 23 | 10582070 | Crank | 1 |
| 24 | 30565038 | Display Board | 1 |
| 25 | 01472015 | Mesh enclosure (Air Outlet) | 1 |
| 26 | 10512115 | Guide Louver | 1 |
| 27 | 10542036 | Axial Bushing | 1 |
| 28 | NA | Transformer | 0 |
| 29 | 2011210801 | Electric Control Box | 1 |
| 30 | 42011233 | Terminal Board | 1 |
| 31 | 20112081 | Electric Control Box Cover2 | 1 |
| 32 | 30148341 | Main Control Board | 1 |
| 33 | 01592092 | Electric Control Box Shield Cover | 1 |
| 34 | 20122154 | Electric Control Box Cover1 | 1 |
| 35 | 4202300109 | Configuration Jumper Connector | 1 |
| 36 | 33010043 | Capacitor CBB61 | 1 |
| 37 | 20302427 | Electric Control Box Assy | 1 |
| 38 | 390000453 | Ambient Temperature Sensor | 1 |
| 39 | 390000591 | Indoor Coil Temperature Sensor | 1 |
| 40 | 305100482 | Remote Control | 1 |
| Not Shown | 27210071 | Remote Control Holder | 1 |
| Not Shown | 111220081 | Filter | 2 |

GWC18MC-D3DNA3D/O Cooling Only 18,000 Btuh 208/230v Outdoor Unit



GWC18MC-D3DNA3D/O
Cooling Only 18,000 Btuh 208/230v Outdoor Unit
 Product Code: CB171W06800_K78055

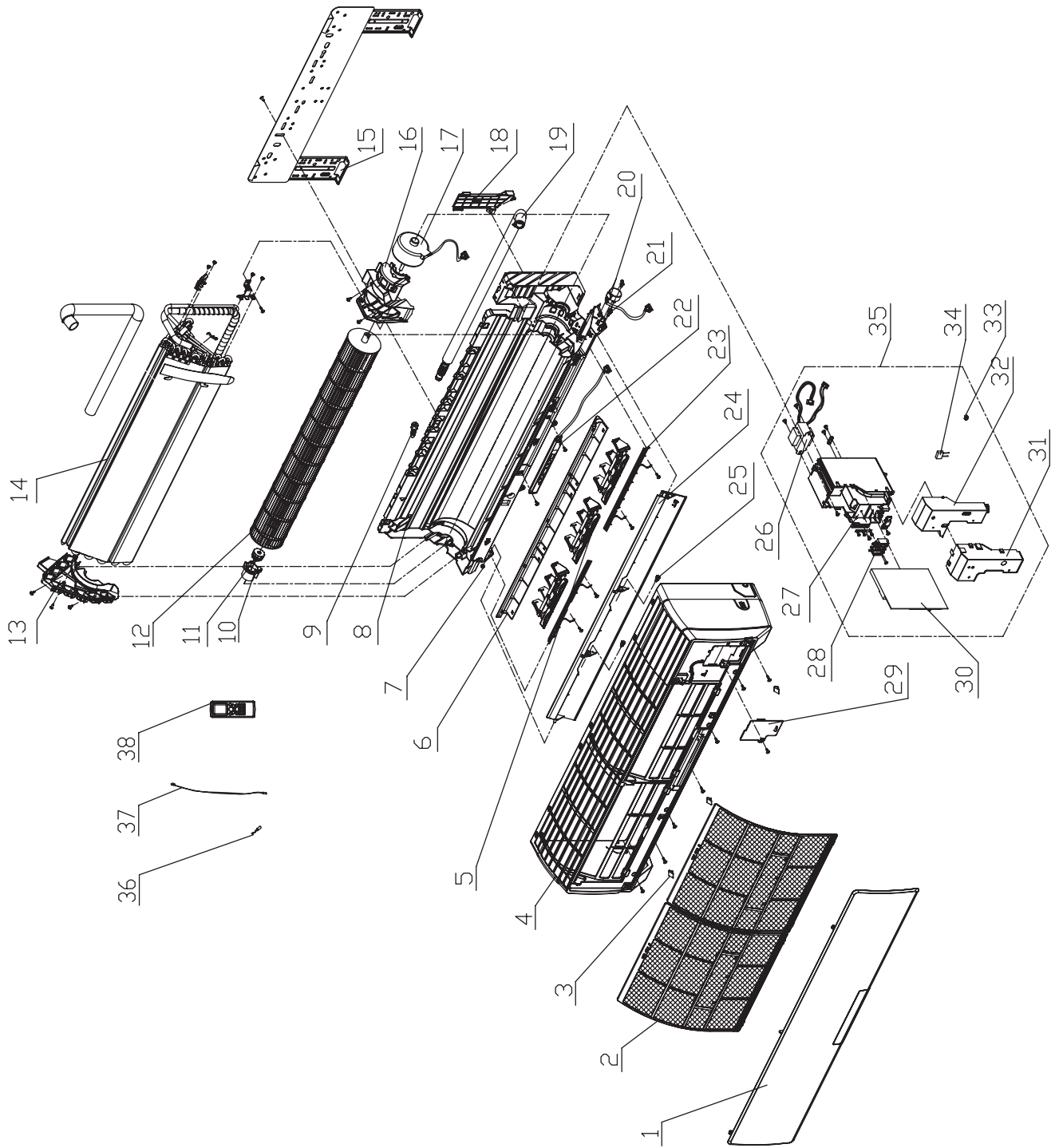
| NO. | Part Code | Part Description | Qty |
|-----|-------------|-------------------------------|-----|
| 1 | 01473049 | Front Grille | 1 |
| 2 | 01433047P | Cabinet | 1 |
| 3 | 10335008 | Axial Flow Fan | 1 |
| 4 | 1501506402 | Fan Motor | 1 |
| 5 | 02803062P | Chassis Sub-Assy | 1 |
| 6 | NA | Electrical Heater(Compressor) | 0 |
| 7 | 00105241 | Compressor and Fittings | 1 |
| 8 | 76715021 | Compressor Grommets | 3 |
| 9 | 43130025 | Reactor | 1 |
| 10 | 01715010P | Valve Support Assy | 1 |
| 11 | 07133210 | Cut-Off Valve Sub-Assy 1/2-in | 1 |
| 12 | 07133058 | Cut-Off Valve Sub-Assy 1/4-in | 1 |
| 13 | 22245002 | Valve Cover | 1 |
| 14 | NA | Cable Cross Plate 1 | 0 |
| 15 | NA | Cable Cross Plate 2 | 0 |
| 16 | 0130509403P | Right Side Plate | 1 |
| 17 | NA | 4-Way Valve Assy | 0 |
| 18 | NA | Magnet Coil | 0 |
| 19 | 07133772 | Electric Expansion Valve Assy | 1 |

| NO. | Part Code | Part Description | Qty |
|-----------|------------|---|-----|
| 20 | 4300876706 | Electric Expand Valve Fitting | 1 |
| 21 | 01473043 | Rear Grille | 1 |
| 22 | 01163512 | Condenser Coil Assy | 1 |
| 23 | 183084 | Compressor Overload Protector(External) | 1 |
| 24 | 01233153 | Clapboard Assy | 1 |
| 25 | 01255005P | Top Cover | 1 |
| 26 | 01705036 | Motor Support Sub-Assy | 1 |
| 27 | NA | Electric Control Box Cover Sub-Assy | 0 |
| 28 | NA | Magnetic Ring | 0 |
| 29 | 30148249 | Main Control Board | 1 |
| 30 | 49010252 | Radiator | 1 |
| 31 | 20113027 | Electric Control Box (Fireproofing) | 1 |
| 32 | 42010255 | Terminal Board | 1 |
| 33 | 71010003 | Wire Clamp | 1 |
| 34 | 02603938 | Electric Control Box Assy | 1 |
| 35 | 3900030901 | Temperature Sensors Assembly** | 1 |
| Not Shown | 39000072 | Low Ambient Tube Temperature Sensor | 1 |
| Not Shown | 5230022 | Drain Pipe | 1 |

**Temperature Sensor Assembly contains Discharge, Coil, & Ambient Temperature sensors.

GWC24MD-D3DNA3D/I

Cooling Only 24,000 Btuh 208/230v Indoor Unit

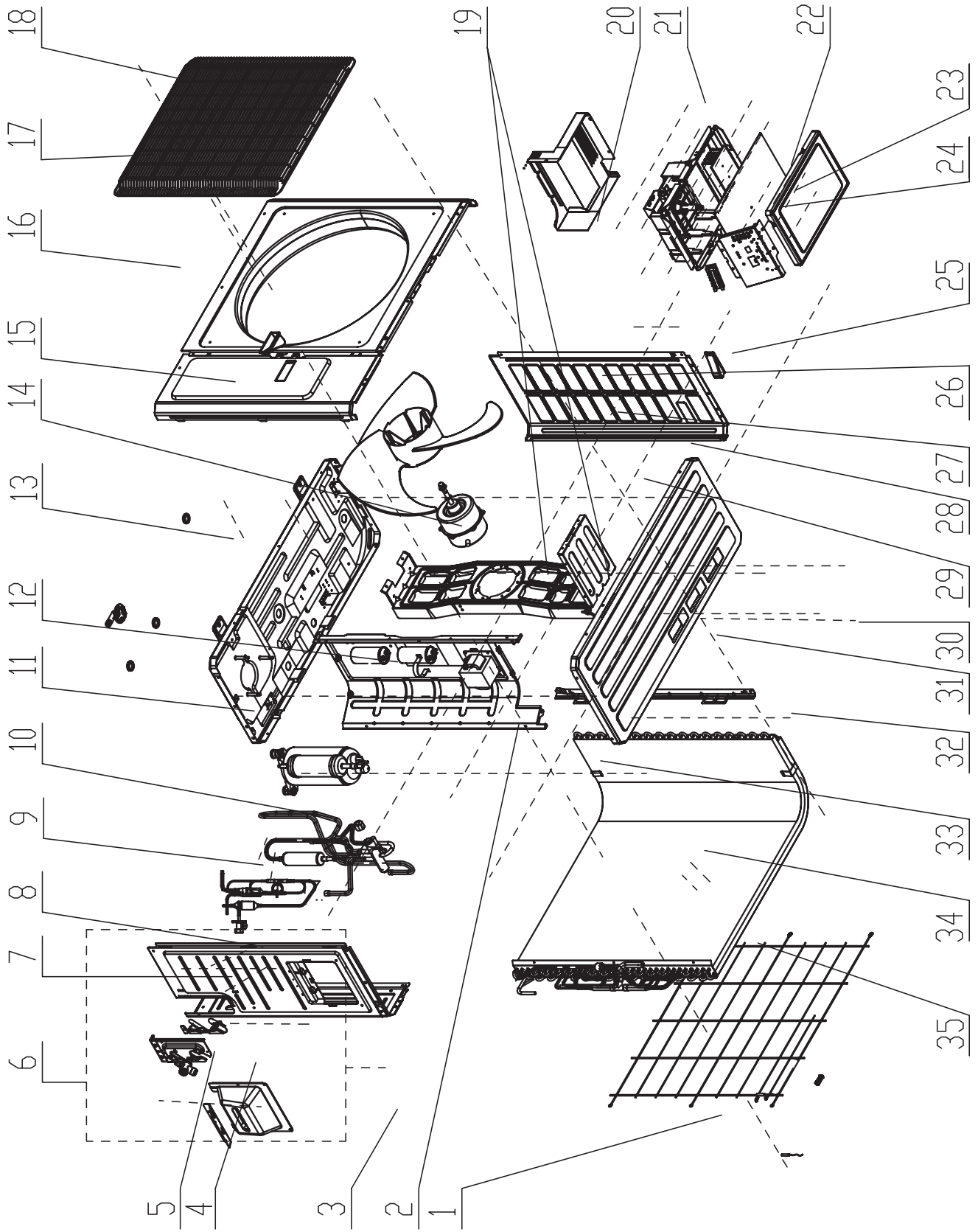


GWC24MD-D3DNA3D/I
Cooling Only 24,000 Btuh 208/230v Indoor Unit
 Product Code: CB171N06900_K78055

| NO. | Part Code | Part Description | Qty |
|-----|------------|---------------------------|-----|
| 1 | 20012328 | Front Panel Assy | 1 |
| 2 | 11122091 | Filter Sub-Assy | 2 |
| 3 | 24252016 | Screw Cover | 3 |
| 4 | 2001232901 | Front Case Assy | 1 |
| 5 | 10512141 | Air Louver | 3 |
| 6 | 26112187 | Helicoid Tongue | 1 |
| 7 | 10512037 | Left Axial Bushing | 1 |
| 8 | 2220211701 | Rear Case Assy | 1 |
| 9 | 76712012 | Drainage Tray Plug | 1 |
| 10 | 26152025 | Bearing Ring | 1 |
| 11 | 76512051 | Bearing O-Gasket Sub-Assy | 1 |
| 12 | 10352030 | Cross Flow Fan | 1 |
| 13 | 24212103 | Evaporator Coil Support | 1 |
| 14 | 0100257204 | Evaporator Coil Assy | 1 |
| 15 | 01252032 | Wall Mounting Frame | 1 |
| 16 | 26112316 | Motor Press Plate | 1 |
| 17 | 15012136 | Fan Motor | 1 |
| 18 | 26112188 | Pipe Clamp | 1 |
| 19 | 0523001401 | Drainage Pipe | 1 |
| 20 | 1521300101 | Stepper Motor | 1 |

| NO. | Part Code | Part Description | Qty |
|-----------|------------|-----------------------------------|-----|
| 21 | 10582070 | Crank | 1 |
| 22 | 30565038 | Display board | 1 |
| 23 | 01472016 | Rear Grille | 1 |
| 24 | 10512118 | Guide Louver | 1 |
| 25 | 10542036 | Axial Bushing | 2 |
| 26 | NA | Transformer | 0 |
| 27 | 2011210801 | Electric Control Box | 1 |
| 28 | 42011233 | Terminal Board | 1 |
| 29 | 20112081 | Electric Control Box Cover2 | 1 |
| 30 | 30148235 | Main Control Board | 1 |
| 31 | 01592092 | Electric Control Box Shield Cover | 1 |
| 32 | 20122154 | Electric Control Box Cover1 | 1 |
| 33 | 4202300108 | Configuration Jumper Connector | 1 |
| 34 | NA | Capacitor CBB61 | 0 |
| 35 | 20302426 | Electric Control Box Assy | 1 |
| 36 | 390000451 | Ambient Temperature Sensor | 1 |
| 37 | 390000598 | Indoor Coil Temperature Sensor | 1 |
| 38 | 305100482 | Remote Control | 1 |
| Not Shown | 27210071 | Remote Control Holder | 1 |
| Not Shown | 111220081 | Filter | 2 |

GWC24MD-D3DNA3D/O
Cooling Only 24,000 Btuh 208/230v Outdoor Unit



GWC24MD-D3DNA3D/O
Cooling Only 24,000 Btuh 208/230v Outdoor Unit
 Product Code: CB171W06900_K78055

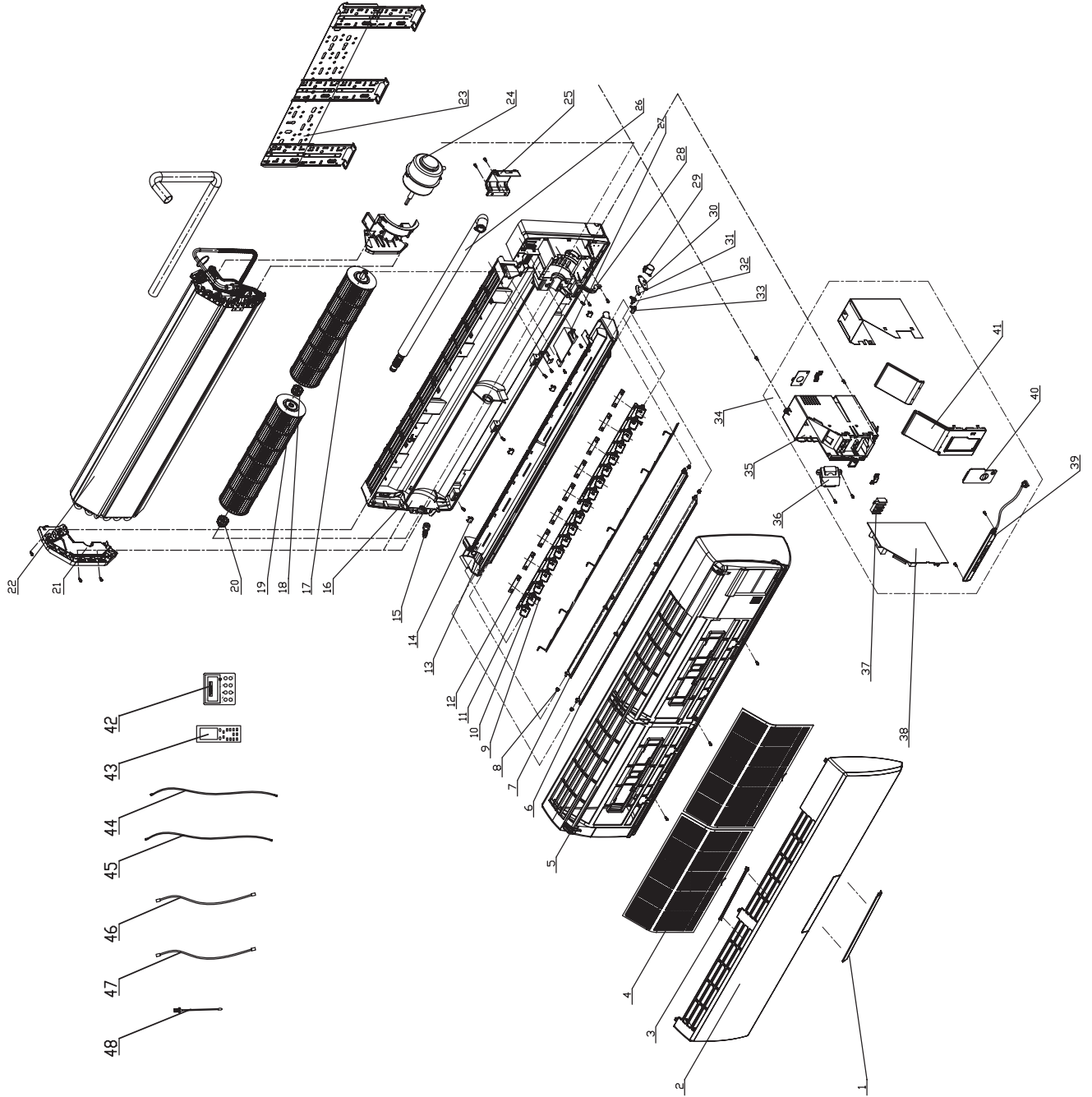
| NO. | Part Code | Part Description | Qty |
|-----|-------------|-------------------------------------|-----|
| 1 | 01473050 | Front Grille | 1 |
| 2 | 1501506205 | Fan Motor | 1 |
| 3 | NA | Electric Control Box (Fireproofing) | 1 |
| 4 | 4901302801 | Radiator | 1 |
| 5 | 30148126 | Main Control Board | 1 |
| 6 | 02603940 | Electric Control Box Assy | 1 |
| 7 | NA | Terminal Board Support Sub-Assy | 0 |
| 8 | 42010255 | Terminal Board | 1 |
| 9 | 26235401 | Left Handle | 2 |
| 10 | 01305043P | Left Side Plate | 1 |
| 11 | 01255006P | Top Cover | 1 |
| 12 | 01705025 | Motor Support Sub-Assy | 1 |
| 13 | 01175092 | Condenser Support plate | 1 |
| 14 | 01233154 | Clapboard Assy | 1 |
| 15 | 01163425 | Condenser Coil Assy | 1 |
| 16 | 01475013 | Rear Grille | 1 |
| 17 | 26115004 | Wiring clamp | 1 |
| 18 | 39000072 | Low Ambient Tube Temperature Sensor | 1 |
| 19 | 33010011 | Capacitor CBB61 | 1 |
| 20 | 0130504402P | Right Side Plate | 1 |
| 21 | 02113109 | Handle Assy | 1 |

| NO. | Part Code | Part Description | Qty |
|-----------|-------------|---|-----|
| 22 | 07133157 | Cut-off Valve 5/8-in | 1 |
| 23 | 0171501201P | Valve Support Sub-Assy | 1 |
| 24 | 01365435P | Baffle (Valve Support) | 1 |
| 25 | NA | Capillary Sub-Assy | 0 |
| 26 | NA | 4-Way Valve Assy | 0 |
| 27 | NA | Magnet Coil | 0 |
| 28 | 76715021 | Compressor Grommets | 3 |
| 29 | 00103873 | Compressor and Fittings | 1 |
| 30 | NA | Drainage Connector | 0 |
| 31 | 02803080P | Chassis Sub-Assy | 1 |
| 32 | NA | Drainage Plug | 0 |
| 33 | 10335014 | Axial Flow Fan | 1 |
| 34 | 01303249P | Front Side Plate Sub-Assy | 1 |
| 35 | 0143500401P | Cabinet | 1 |
| Not Shown | 3900030901 | Temperature Sensors Assembly** | 1 |
| Not Shown | 5230022 | Drain Pipe | 1 |
| Not Shown | 183043 | Compressor Overload Protector(External) | 1 |
| Not Shown | 7135072 | Cut-off Valve Sub-Assy 1/4-in | 1 |
| Not Shown | 5010051 | Corrugated Pipe | 2 |
| Not Shown | 4300876705 | Electric Expand Valve Fitting | 1 |

**Temperature Sensor Assembly contains Discharge, Coil, & Ambient Temperature sensors.

GWC36LB-D3DNA3A/I

Cooling Only 36,000 Btuh 208/230v Indoor Unit

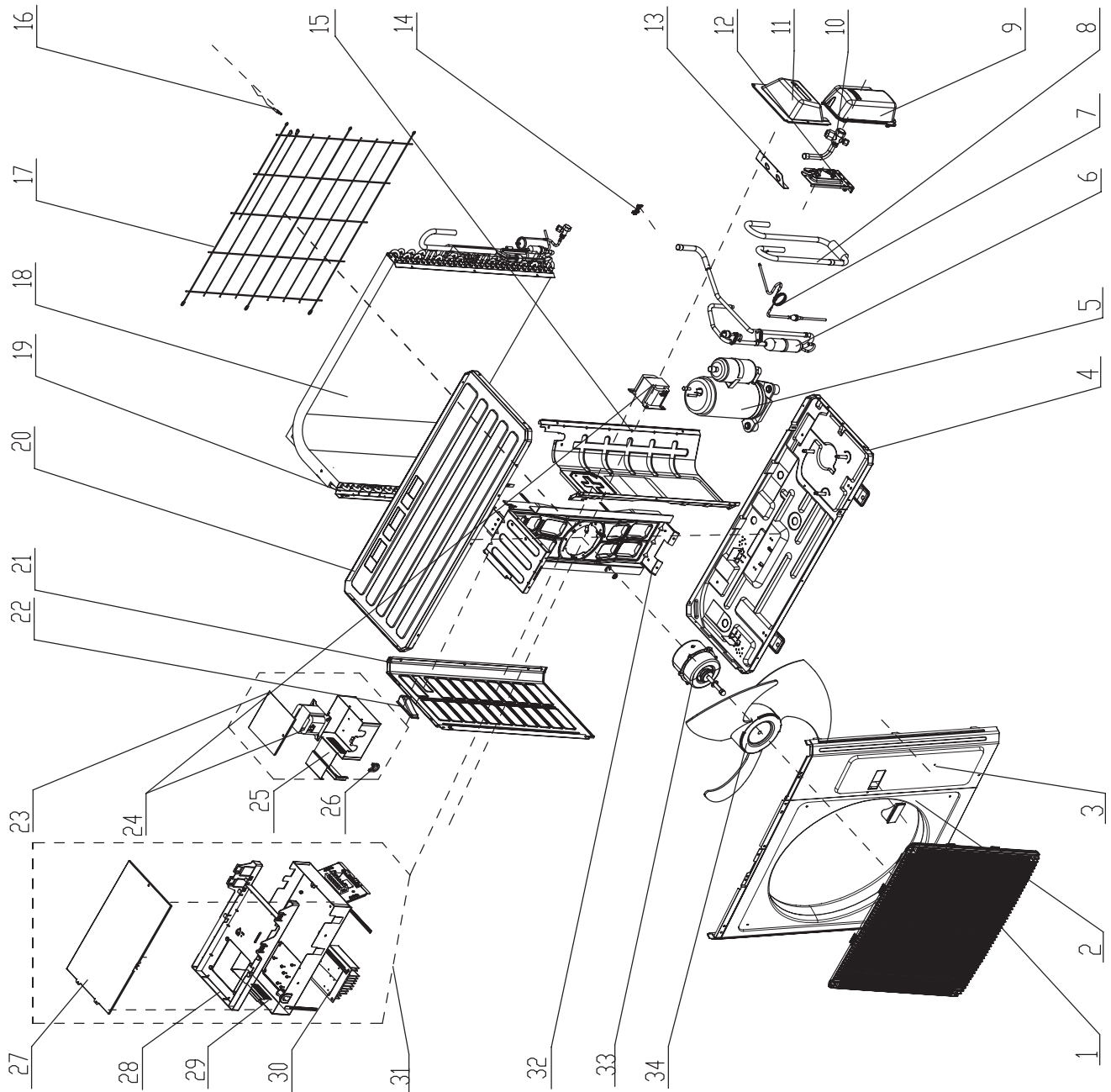


GWC36LB-D3DNA3A/I
Cooling Only 36,000 Btuh 208/230v Indoor Unit
 Product Code: CB169N00200_K78055

| NO. | Part Code | Part Description | Qty |
|-----|------------|------------------------------------|-----|
| 1 | 22432164 | Receiver Window | 1 |
| 2 | 20012490S | Front Panel | 1 |
| 3 | 24212120 | Stand bar | 1 |
| 4 | 11122106 | Filter Sub-Assy | 2 |
| 5 | 20022159 | Front Case Sub-Assy | 1 |
| 6 | 10512166 | Upper Guide Louver | 1 |
| 7 | 10512167 | Lower Guide Louver | 1 |
| 8 | 10542704 | Axial Bushing | 6 |
| 9 | 10512169 | Air Louver 2 | 2 |
| 10 | 10512168 | Air Louver 1 | 16 |
| 11 | 10582086 | Connecting Rod | 2 |
| 12 | 26112127 | Louver Clamp | 9 |
| 13 | 20182138 | Water Tray | 1 |
| 14 | 242520053 | Screw Cover | 4 |
| 15 | 76712012 | Drainage Tray Plug | 1 |
| 16 | 22202166 | Rear Case Sub-Assy | 1 |
| 17 | 10352039 | Cross Flow Fan Right Side | 1 |
| 18 | 26152028 | Bearing Holder Sub-Assy | 1 |
| 19 | 10352040 | Cross Flow Fan Left Side | 1 |
| 20 | 76512051 | Bearing O-Gasket Sub-Assy | 1 |
| 21 | 2421204201 | Evaporator Coil Support Right Side | 1 |
| 22 | 01002758 | Evaporator Coil Assy | 1 |
| 23 | 01252398 | Wall Mounting Frame | 1 |
| 24 | 15012107 | Fan Motor | 1 |
| 25 | 26112071 | Pipe Clamp | 1 |
| 26 | 0523001404 | Drainage Hose | 1 |

| NO. | Part Code | Part Description | Qty |
|-----------|-------------|------------------------------|-----|
| 27 | 20122124 | Cover Plate | 1 |
| 28 | 26112354 | Motor Fixed Clip | 1 |
| 29 | 1521210701 | Stepper Motor | 1 |
| 30 | 26112070 | Press Plate(Crank) | 1 |
| 31 | 10582041 | Crank-Guide | 1 |
| 32 | 10562004 | Upper Crank | 1 |
| 33 | 10562005 | Lower Crank | 1 |
| 34 | 20202919 | Electric Control Box Assy | 1 |
| 35 | 201022501 | Electric Control Box | 1 |
| 36 | 43110258 | Transformer 41X26.5N | 1 |
| 37 | 42011233 | Terminal Board | 1 |
| 38 | 30138945 | Main Control Board | 1 |
| 39 | NA | Receiver Window | 0 |
| 40 | 20102252 | Electric Control Box Cover | 1 |
| 41 | 2011204402S | Electric Control Box Cover | 1 |
| 42 | 30565087 | Display Board | 1 |
| 43 | 305100621 | Remote Control | 1 |
| Not Shown | 27210071 | Remote Control Holder/Cradle | 1 |
| 44 | NA | Receiver Window | 0 |
| 45 | NA | Receiver Window | 0 |
| 46 | NA | Receiver Window | 0 |
| 47 | 390000591G | Temperature Sensor | 1 |
| 48 | 390000451 | Ambient Temperature Sensor | 1 |
| Not Shown | 4202300108 | Jumper Cap | 1 |
| Not Shown | 33010737 | Capacitor CBB61 | 1 |

GWC36LB-D3DNA3A/O Cooling Only 36,000 Btuh 208/230v Outdoor Unit



GWC36LB-D3DNA3A/O
Cooling Only 36,000 Btuh 208/230v Outdoor Unit
 Product Code: :CB169W00200_K78055

| NO. | Part Code | Part Description | Qty |
|-----|-------------|--------------------------------|-----|
| 1 | 01473050 | Front Grille | 1 |
| 2 | 0143500401P | Cabinet | 1 |
| 3 | 01305086P | Front Side Plate | 1 |
| 4 | 01203880P | Chassis Sub-Assy | 1 |
| 5 | 00205275 | Compressor and Fittings | 1 |
| 6 | 07424118 | Oil Separator | 1 |
| 7 | 03063604 | Capillary Sub-Assy | 1 |
| 8 | 03733729 | Suction Tube Sub-Assy | 1 |
| 9 | 22245003 | Valve cover | 1 |
| 10 | 07133157 | Cut-off Valve 5/8-in | 1 |
| 11 | 02113109 | Handle Assy | 1 |
| 12 | 0171501201P | Valve Support Sub-Assy | 1 |
| 13 | 02115006P | Block | 1 |
| 14 | 26115004 | Wiring Clamp | 1 |
| 15 | 01233134 | Clapboard | 1 |
| 16 | 3900031001 | Temperature Sensors Assembly** | 1 |
| 17 | 01475013 | Rear Grille | 1 |
| 18 | 01163365 | Condenser Coil Assy | 1 |
| 19 | 01175037 | Condenser Support Plate | 1 |
| 20 | 01255007 | Top Cover Sub-Assy | 1 |
| 21 | 01305043P | Left Side Plate | 1 |

| NO. | Part Code | Part Description | Qty |
|-----------|-----------|-------------------------------------|-----|
| 22 | 26235401 | Left Handle | 1 |
| 23 | 01425279 | Electric Control Box Cover | 1 |
| 24 | 43130192 | Reactor | 2 |
| 25 | 02603620 | Electric Control Box Sub-Assy 1 | 1 |
| 26 | 76512008 | Cable-Cross Loop | 1 |
| 27 | 01425281 | Electric Control Box Cover | 1 |
| 28 | 20113021 | Electric Control Box 3 | 1 |
| 29 | 02603614 | Electric Control Box Cover Sub-Assy | 1 |
| 30 | 49010252 | Radiator | 1 |
| 31 | 02603612 | Electric Control Box Assy | 1 |
| 32 | 01802876 | Motor Support Sub-Assy | 1 |
| 33 | 15702802 | Fan Motor | 1 |
| 34 | 10335005 | Axial Flow Fan | 1 |
| Not Shown | 30138214 | Main Control Board | 1 |
| Not Shown | 70210051 | Corrugated Pipe | 1 |
| Not Shown | 42010255 | Terminal Board | 11 |
| Not Shown | 5230022 | Drain Pipe | 1 |
| Not Shown | 76710207 | Compressor Grommets | 3 |
| Not Shown | 46020006 | Pressure Protect Switch | 1 |
| Not Shown | 00285213 | Compressor Overload Protector | 1 |

**Temperature Sensor Assembly contains Discharge, Coil, & Ambient Temperature sensors.

