

neo

Replacement Parts Catalog

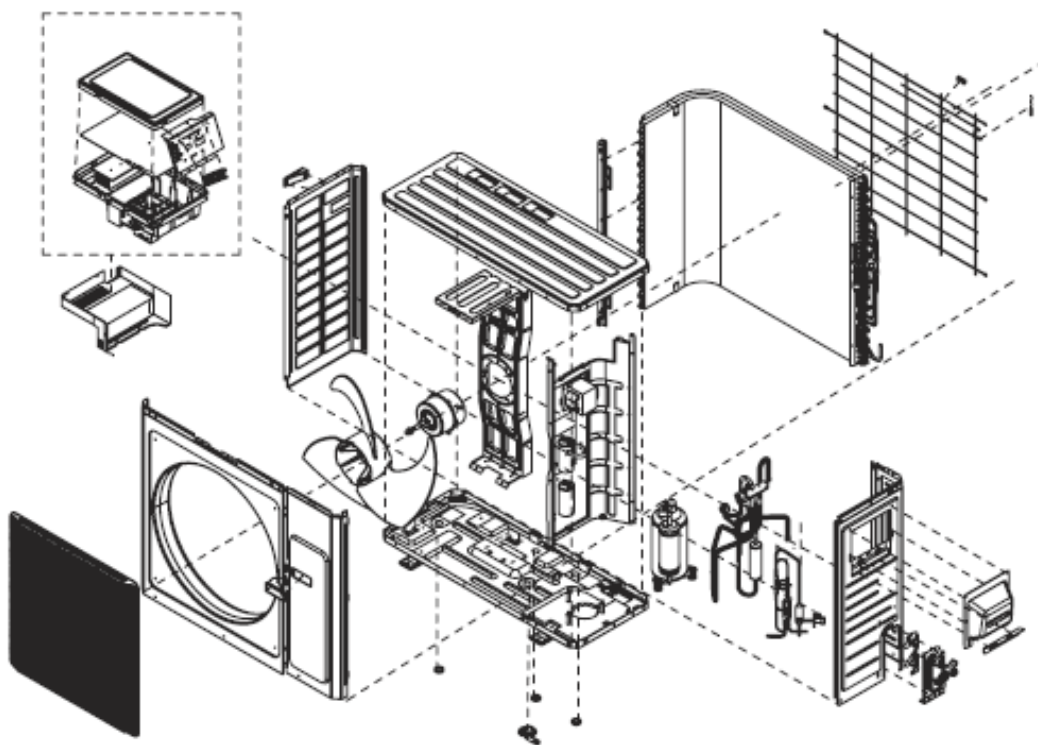
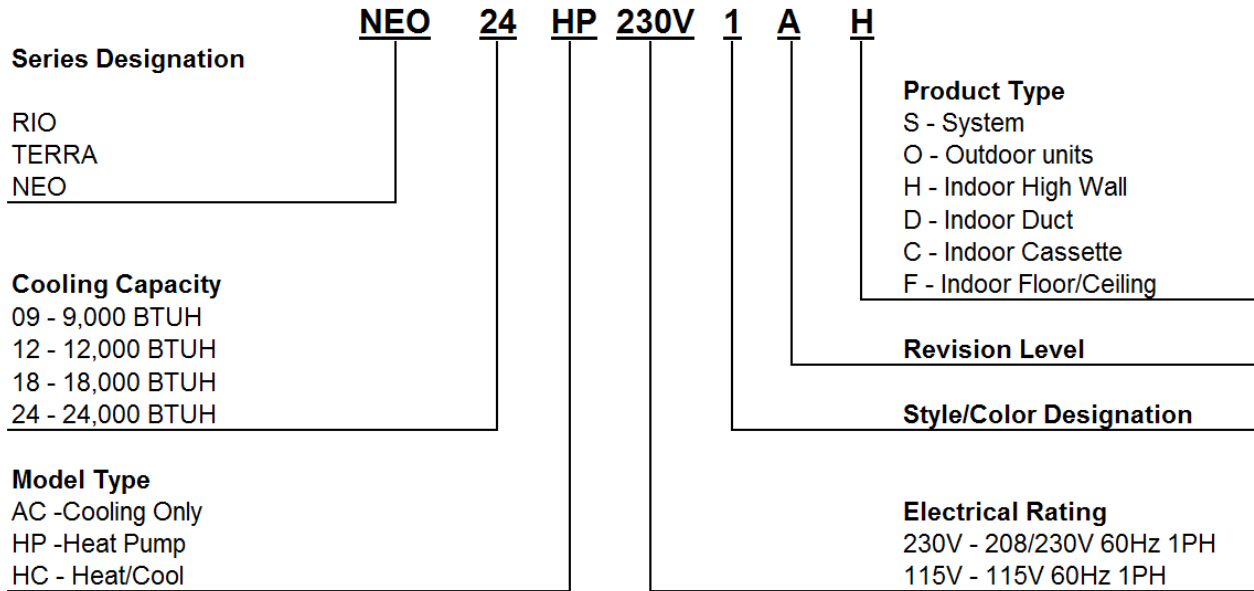


Table of Contents

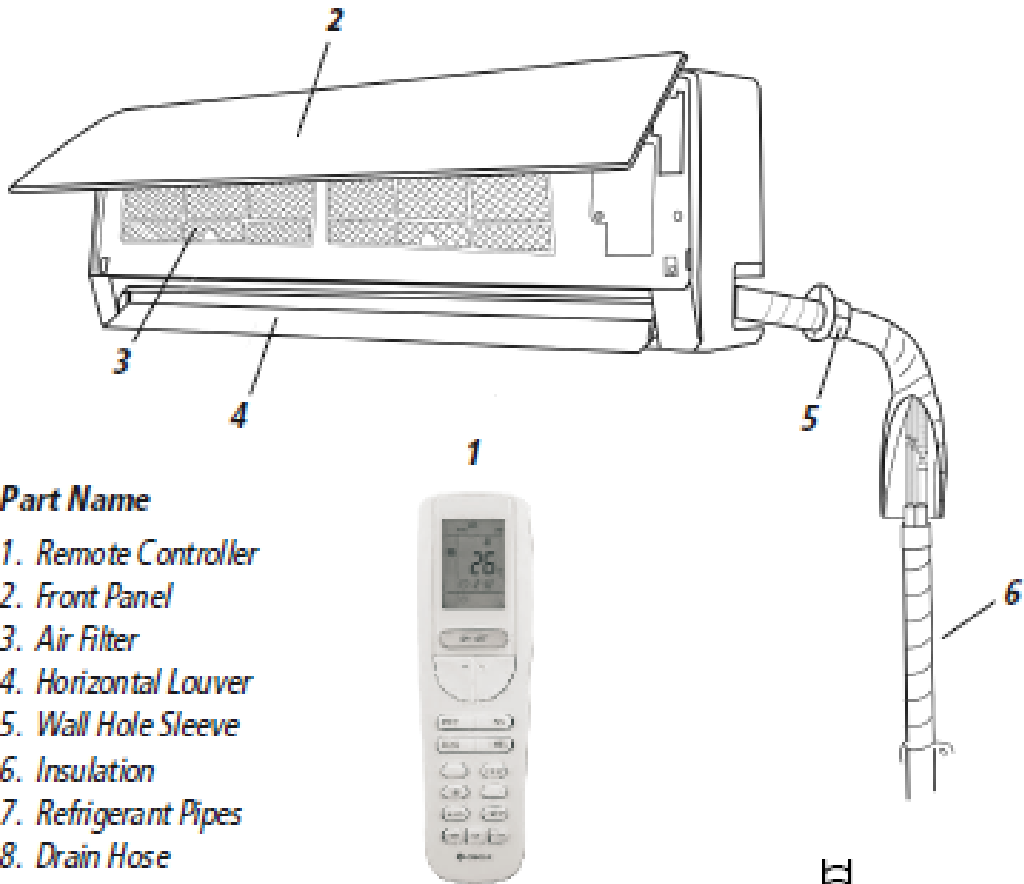
Model Number	Description	Page
Nomenclature	Part Number Nomenclature Chart	3-4
NEO09HP115V1AH	Heat Pump 9,000 BTUH 115v Indoor Unit	5-6
NEO09HP115V1AO	Heat Pump 9,000 BTUH 115v Outdoor Unit	7-8
NEO09HP230V1AH	Heat Pump 9,000 BTUH 208/230v Indoor Unit	9-10
NEO09HP230V1AO	Heat Pump 9,000 BTUH 208/230v Outdoor Unit	11-12
NEO12HP115V1AH	Heat Pump 12,000 BTUH 115v Indoor Unit	13-14
NEO12HP115V1AO	Heat Pump 12,000 BTUH 115v Outdoor Unit	15-16
NEO12HP230V1AH	Heat Pump 12,000 BTUH 208/230v Indoor Unit	17-18
NEO12HP230V1AO	Heat Pump 12,000 BTUH 208/230v Outdoor Unit	19-20
NEO18HP230V1AH	Heat Pump 18,000 BTUH 208/230v Indoor Unit	21-22
NEO18HP230V1AO	Heat Pump 18,000 BTUH 208/230v Outdoor Unit	23-24
NEO24HP230V1AH	Heat Pump 24,000 BTUH 208/230v Indoor Unit	25-26
NEO24HP230V1AO	Heat Pump 24,000 BTUH 208/230v Outdoor Unit	27-28
NEO30HP230V1AH	Heat Pump 30,000 BTUH 208/230v Indoor Unit	29-30
NEO30HP230V1AO	Heat Pump 30,000 BTUH 208/230v Outdoor Unit	31-32
NEO36HP230V1AH	Heat Pump 36,000 BTUH 208/230v Indoor Unit	33-34
NEO36HP230V1AO	Heat Pump 36,000 BTUH 208/230v Outdoor Unit	35-36

Product Catalog Number-Nomenclature

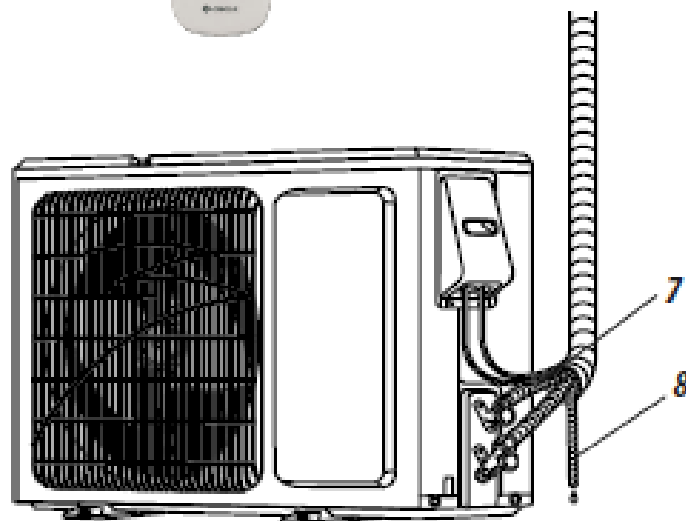
(2014 and later)



Indoor unit

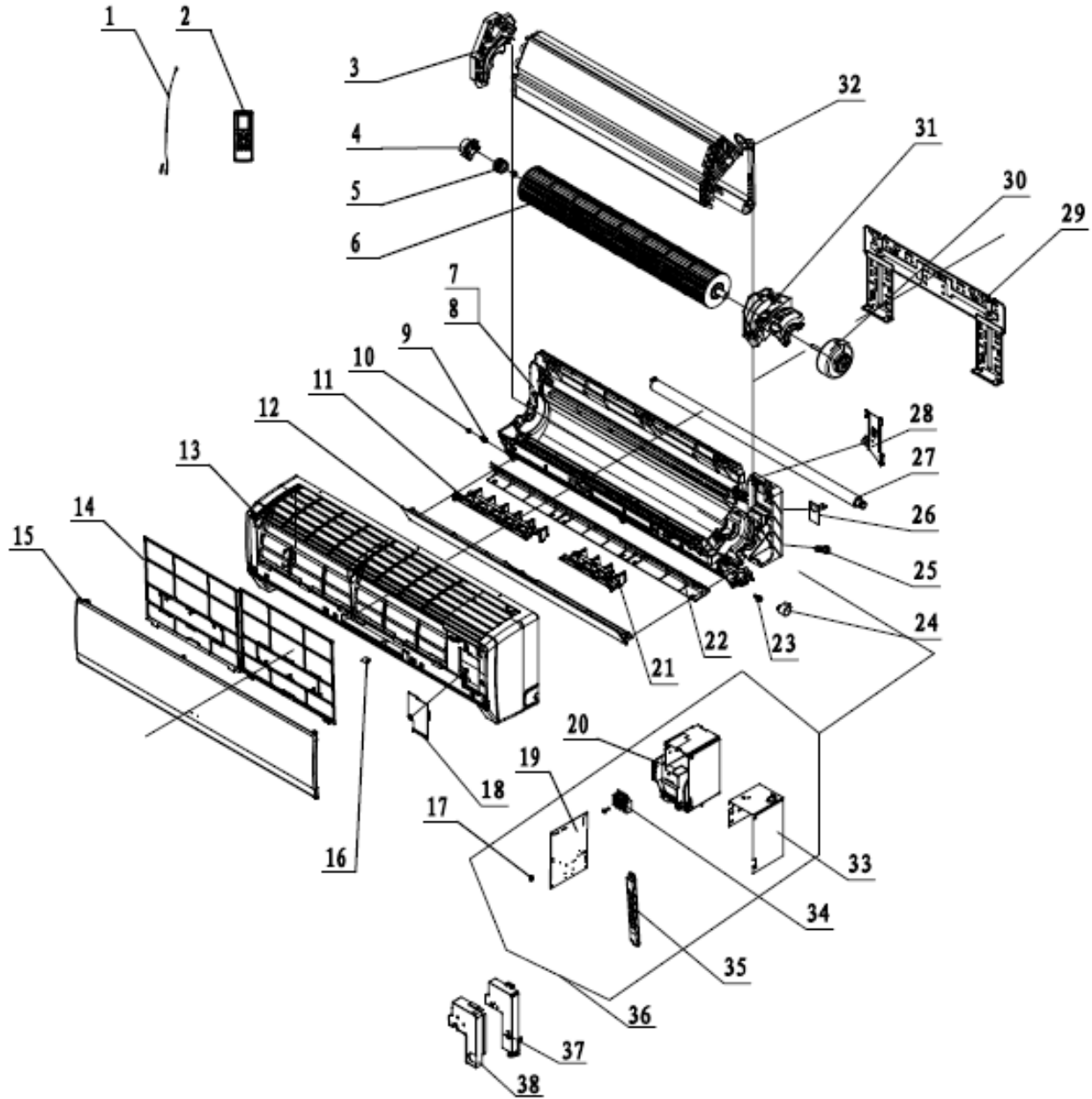


Outdoor unit



NEO09HP115V1AH

9,000 BTUH 115v Indoor Unit

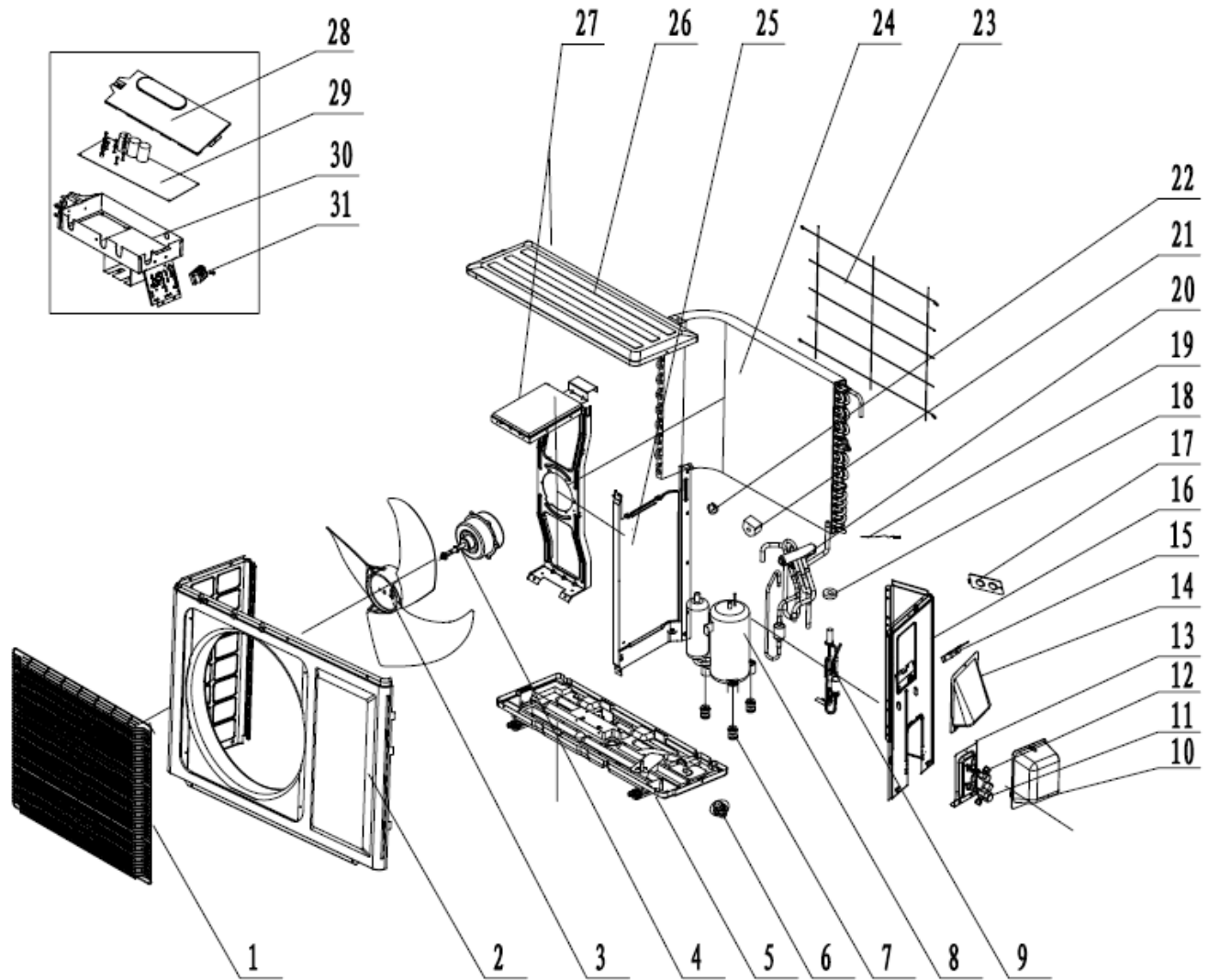


NEO09HP115V1AH
9,000 BTUH 115v Indoor Unit
Product Code: CB171N10200_L12069

NO.	Part Code	Part Description	Qty
1	3900031302	Indoor Coil Temperature Sensor	1
Not Shown	3900031302	Ambient Temperature Sensor	1
2	30510554_L12069	Remote Controller (YAA1FBF)	1
Not Shown	20120048	Remote Controller Holder/Cradle	1
3	24212091	Evaporator Support	1
4	26152022	Bearing Ring	1
5	7651205102	Bearing O-Gasket Sub-Assy	1
6	10352017	Cross Flow Fan	1
7	2220210309	Rear Case Assy	1
8	2220245405	Rear Case	1
9	10542036	Axial Bushing	1
10	10512037	Left Axial Bushing	1
11	10512164	Air Louver 1	1
12	10512157	Guide Louver	1
13	2001213908	Front Case Sub-Assy	1
14	11122204	Air Filter	2
15	20012548	Front Panel Sub-Assy	1
16	24252016	Screw Cover	1
17	4202021902	Configuration Jumper	1
18	2012207504	Electric Box Cover 2	1
19	30138000527	Main Control Board	1
20	2011216702	Electric Box	1
21	10512165	Air Louver 2	1
22	26112163C	Helicoid Tongue	1
23	10582070	Crank	1
24	1521212901	Stepper Motor	1
25	76712012	Rubber Plug (Water Tray)	1
26	02122019	Cable Cross Plate	1
27	0523001401	Drain Hose	1
28	26112164	Connecting Pipe Clamp	1
29	01252021	Wall Mounting Bracket	1
30	15012511	Fan Motor	1
31	26112161	Motor Press Plate	1
32	0100242201	Evaporator Coil Assy	1
33	01592072	Electric Box Lower Shield Sub-Assy	1
34	42011233	Terminal Board	1
35	30565007	Display Board	1
36	10000201108	Electric Box Assy	1
37	2224213502	Electric Box Cover 1	1
38	01592073	Electric Box Shield Cover Sub-Assy	1

NEO09HP115V1AO

9,000 BTUH 115v Outdoor Unit



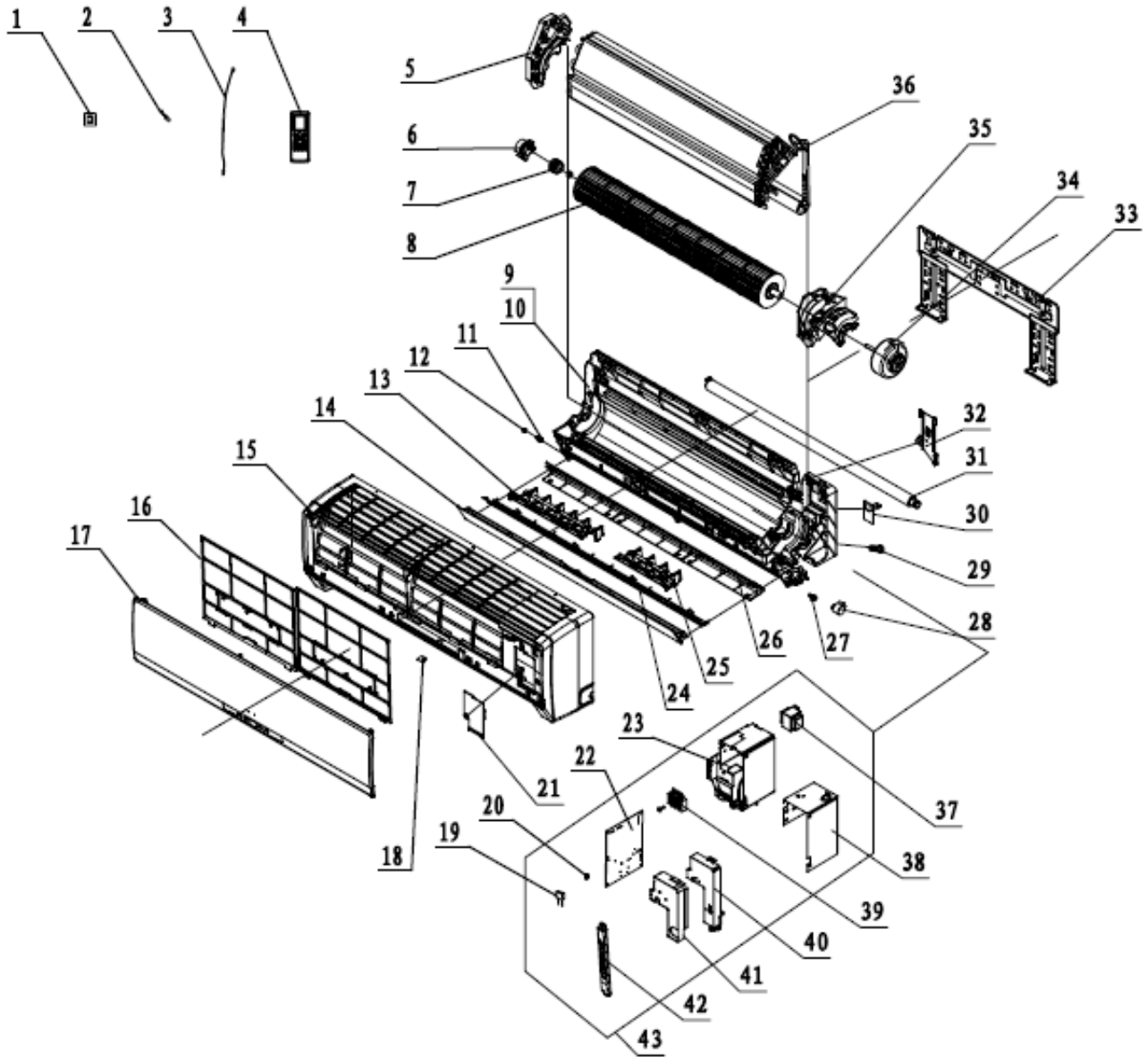
NEO09HP115V1AO
9,000 BTUH 115v Outdoor Unit
Product Code: CB171W10200_L12069

NO.	Part Code	Part Description	Qty
1	01473012	Front Grille	1
2	0153304901	Front Panel Assy	1
3	10333012	Axial Flow Fan	1
4	15013160	Fan Motor	1
5	01203881P	Chassis Sub-Assy	1
6	06123401	Drain Connector	1
7	76710302	Compressor Grommet	3
8	00103862	Compressor and Fittings	1
9	03002600042	Electric Expansion Valve Sub-Assy	1
Not Shown	07135226	Electric Expansion Valve	1
10	2012300101	Valve Cover	1
11	07100004	Gas/Suction Valve	1
12	07100005	Liquid Line Valve	1
13	01713041	Valve Support	1
14	02123014P	Cable Cross Plate 2	1
15	02123013P	Cable Cross Plate 1	1
16	013030713	Right Side Plate Assy	1
17	01413069	Cover of Pass Wire	1
18	4300876704	Electric Expand Valve Solenoid Coil	1
19	39000310	Temperature Sensor Assy **	1
20	03073003	4-Way Valve Assy	1
Not Shown	430004032	4-Way Valve	1
21	4300040021	4-Way Valve Solenoid Coil	1
22	00180030	Compressor Overload Protector(External)	1
Not Shown	00183032	Compressor Overload Protector(External)	1
Not Shown	00183031	Compressor Overload Protector(External)	1
23	01473057	Rear Grille	1
24	01100200192	Condenser Coil Assy	1
25	01233034	Clapboard Sub-Assy	1
26	01253443	Top Cover Plate	1
27	01703007	Motor Support Spot Welding Sub-Assy	1
28	0260309601	Electric Box Cover Sub-Assy	1
29	30138000534	Main Control Board	1
30	10000100197	Electric Box Assy	1
31	42010313	Terminal Board	1

** Temperature Sensor Assembly contains Discharge, Condenser Coil and Ambient sensors.

NEO09HP230V1AH

9,000 BTUH 208/230v Indoor Unit

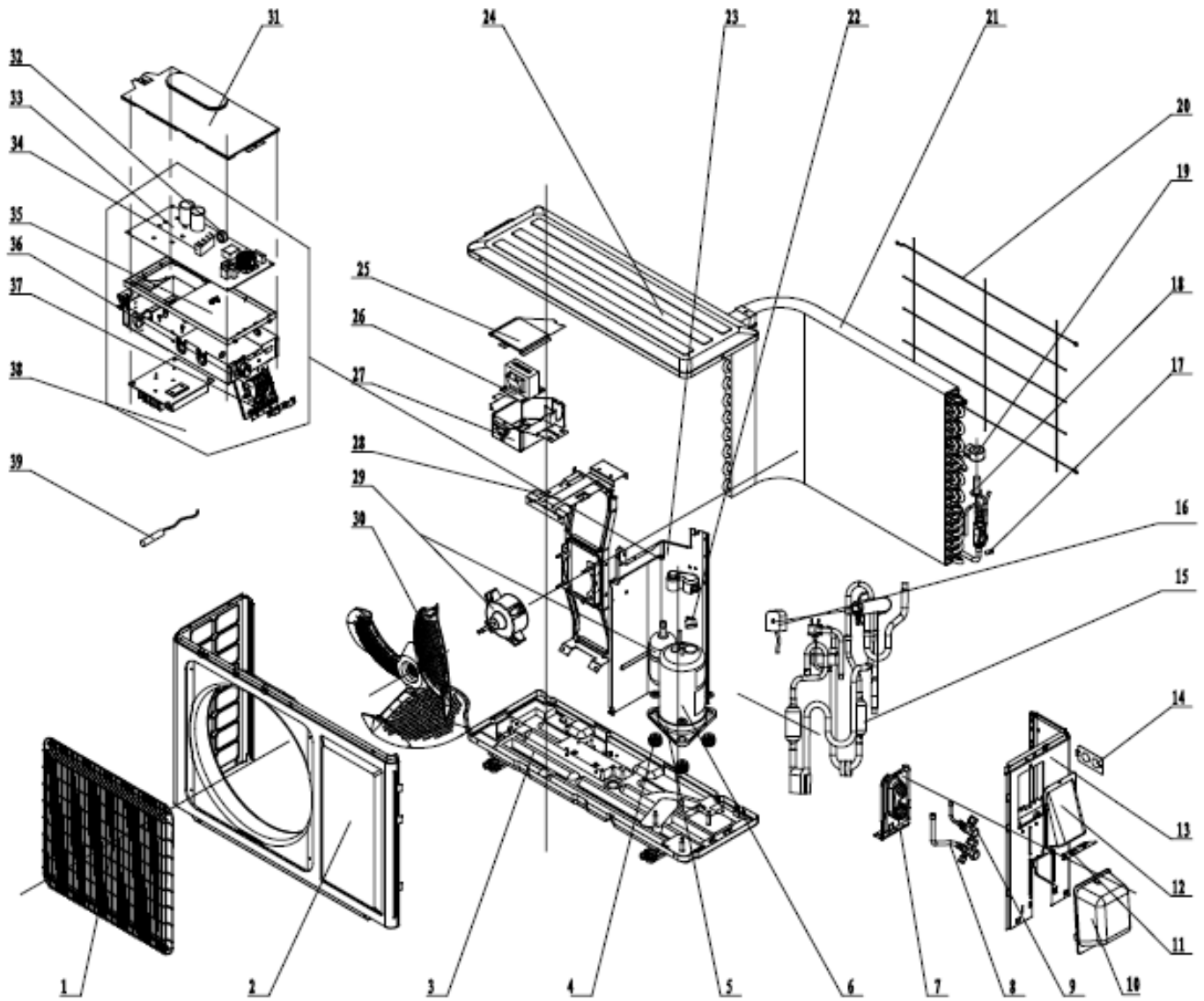


NEO09HP230V1AH
9,000 BTUH 208/230v Indoor Unit
Product Code: CB171N10200_L12069

NO.	Part Code	Part Description	Qty
1	NA	Pipe Connection	0
2	390000599	Indoor Coil Temperature Sensor	1
3	390000453	Ambient Temperature Sensor	1
4	30510554_L12069	Remote Controller (YAA1FBF)	1
Not Shown	20120048	Remote Controller Holder/Cradle	1
5	24212091	Evaporator Support	1
6	26152022	Bearing Ring	1
7	7651205102	Bearing O-Gasket Sub-Assy	1
8	10352017	Cross Flow Fan	1
9	2220210309	Rear Case Assy	1
10	2220245405	Rear Case	1
11	10542036	Axial Bushing	1
12	10512037	Left Axial Bushing	1
13	10512164	Air Louver 1	1
14	10512157	Guide Louver	1
15	2001213931	Front Case Sub-Assy	1
16	1112220403	Air Filter	2
17	20012548	Front Panel Sub-Assy	1
18	24252016	Screw Cover	1
19	33010002	Capacitor CBB61	1
20	4202300107	Configuration Jumper	1
21	2012207504	Electric Box Cover 2	1
22	30138000223	Main Control Board	1
23	2011216702	Electric Box	1
24	01472013	Rear Grille	1
25	10512165	Air Louver 2	1
26	26112163C	Helicoid Tongue	1
27	10582070	Crank	1
28	1521212901	Stepper Motor	1
29	76712012	Rubber Plug (Water Tray)	1
30	02122019	Cable Cross Plate	1
31	0523001401	Drain Hose	1
32	26112164	Connecting Pipe Clamp	1
33	01252021	Wall Mounting Bracket	1
34	1501208905	Fan Motor	1
35	26112161	Motor Press Plate	1
36	0100232101	Evaporator Coil Assy	1
37	NA	Transformer	0
38	01592072	Electric Box Lower Shield Sub-Assy	1
39	42011233	Terminal Board	1
40	2224213502	Electric Box Cover 1	1
41	01592073	Electric Box Shield Cover Sub-Assy	1
42	30565007	Display Board	1
43	20102000446	Electric Box Assy	1

NEO09HP230V1AO

9,000 BTUH 208/230v Outdoor Unit



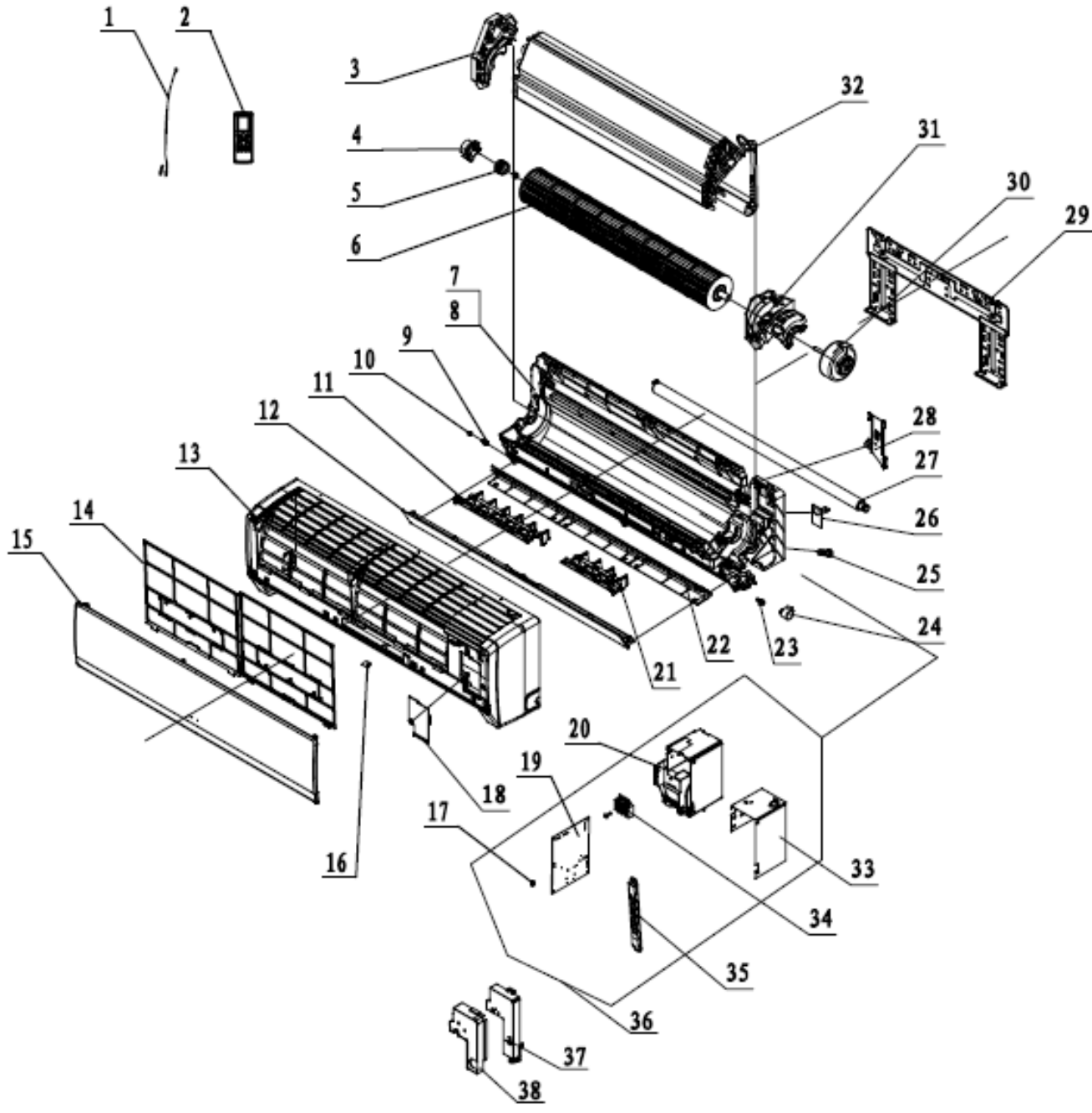
NEO09HP230V1AO
9,000 BTUH 208/230v Outdoor Unit
Product Code: CB171W04501_L12069

NO.	Part Code	Part Description	Qty
1	01473012	Front Grille	1
2	0143305801P	Cabinet	1
3	02803076P	Chassis Sub-Assy	1
4	76710290	Compressor Grommets	3
5	76513004	Crankcase Electrical Heater(Compressor)	1
6	00103851	Compressor and Fittings	1
Not Shown	03133693	Capillary Sub-Assy	1
7	01713041	Valve Support	1
8	07100005	Gas/Suction Valve	1
9	07100003	Liquid Line Valve	1
10	2012300101	Valve Cover	1
11	02123013P	Cable Cross Plate 1	1
12	02123014P	Cable Cross Plate 2	1
13	0130306903	Right Side Plate	1
14	01413069	Cover of Pass Wire	1
15	03123957	4-Way Valve Assy	1
Not Shown	430004032	4-Way Valve	1
16	4300040047	4-Way Valve Solenoid Coil	1
17	05212423	Temp Sensor Sleeve	1
18	07133769	Electric Expansion Valve Sub-Assy	1
Not Shown	07130369	Electric Expansion Valve	1
19	4300876716	Electric Expansion Valve Solenoid Coil	1
20	01473057	Rear Grille	1
21	01163565_L12069	Condenser Coil Assy	1
22	00183043	Compressor Overload Protector(External)	1
23	01233034	Clapboard Sub-Assy	1
24	01253443	Top Cover Plate	1
25	01413029	Reactor Box Cover	1
26	43130185	Reactor	1
27	01413092	Reactor Assy	1
28	01703007	Motor Support Spot Welding Sub-Assy	1
29	15013159	Fan Motor	1
30	10333012	Axial Flow Fan	1
31	0260309601	Electric Box Cover Sub-Assy	1
32	49010109	Magnetic Ring	1
33	30138000262	Main Control Board	1
34	49010252	Radiator/Heat Sink	1
35	20113005	Electric Box 1	1
36	42010313	Terminal Board	1
37	71010003	Wire Clamp	2
38	02603911	Electric Box Assy	1
39	39000310	Temperature Sensor Assy**	1

** Temperature Sensor Assembly contains Discharge,
Condenser Coil and Ambient sensors.

NEO12HP115V1AH

12,000 BTUH 115v Indoor Unit

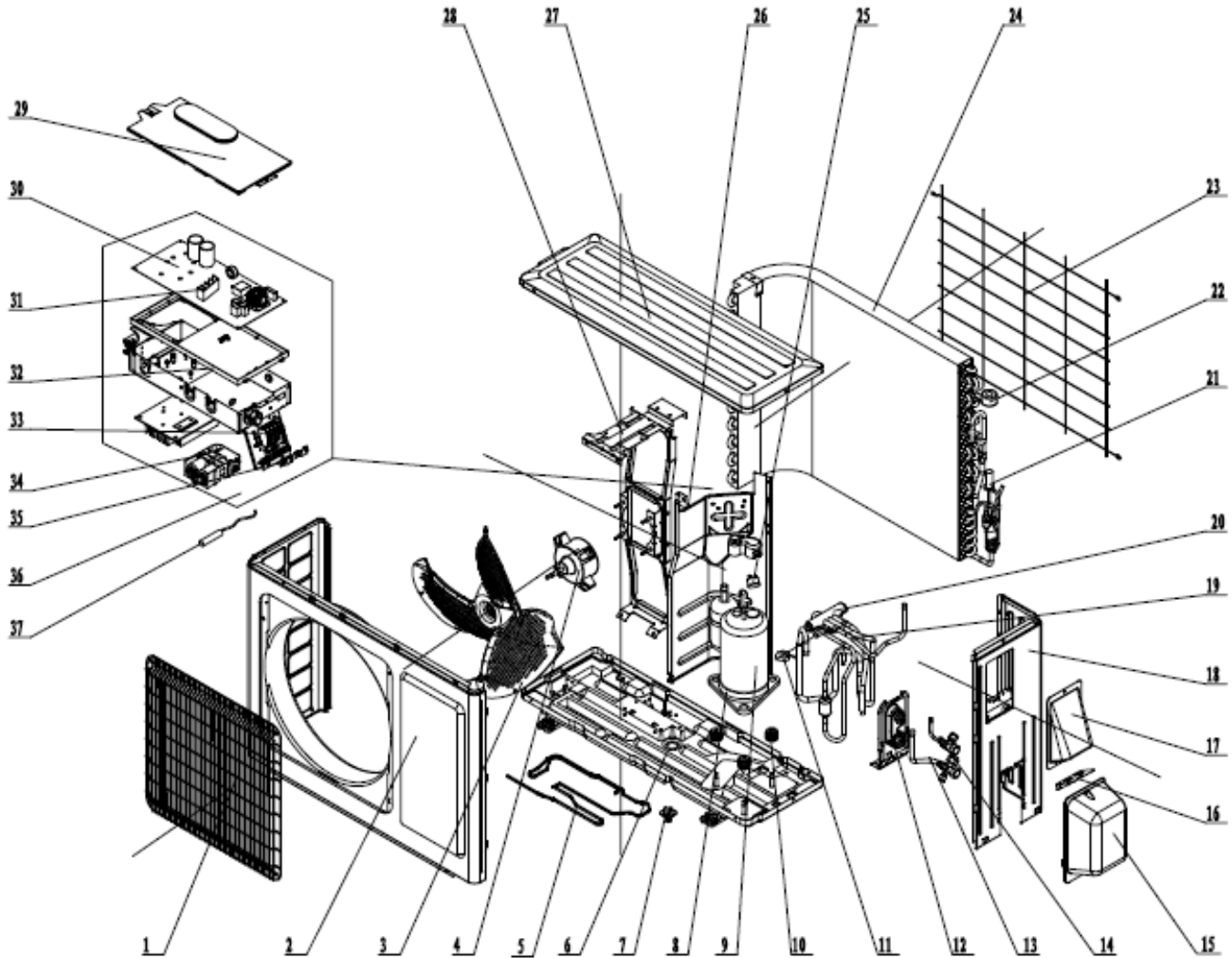


NEO12HP115V1AH
12,000 BTUH 115v Indoor Unit
Product Code: CB171N10100_L12069

NO.	Part Code	Part Description	Qty
1	3900031302	Indoor Coil Temperature Sensor	1
Not Shown	3900031302	Ambient Temperature Sensor	1
2	30510554_L12069	Remote Controller (YAA1FBF)	1
Not Shown	20120048	Remote Controller Holder/Cradle	1
3	24212091	Evaporator Support	1
4	26152022	Bearing Ring	1
5	7651205102	Bearing O-Gasket Sub-Assy	1
6	10352017	Cross Flow Fan	1
7	2220210309	Rear Case Assy	1
8	2220245405	Rear Case	1
9	10542036	Axial Bushing	1
10	10512037	Left Axial Bushing	1
11	10512164	Air Louver 1	1
12	10512157	Guide Louver	1
13	2001213908	Front Case Sub-Assy	1
14	11122204	Air Filter	2
15	20012548	Front Panel Sub-Assy	1
16	24252016	Screw Cover	1
17	4202021904	Configuration Jumper	1
18	2012207504	Electric Box Cover 2	1
19	30138000527	Main Control Board	1
20	2011216702	Electric Box	1
21	10512165	Air Louver 2	1
22	26112163C	Helicoid Tongue	1
23	10582070	Crank	1
24	1521212901	Stepper Motor	1
25	76712012	Rubber Plug (Water Tray)	1
26	02122019	Cable Cross Plate	1
27	0523001401	Drain Hose	1
28	26112164	Connecting Pipe Clamp	1
29	01252021	Wall Mounting Bracket	1
30	15012511	Fan Motor	1
31	26112161	Motor Press Plate	1
32	0100242201	Evaporator Coil Assy	1
33	01592072	Electric Box Lower Shield Sub-Assy	1
34	42011233	Terminal Board	1
35	30565007	Display Board	1
36	10000201109	Electric Box Assy	1
37	2224213502	Electric Box Cover 1	1
38	01592073	Electric Box Shield Cover Sub-Assy	1

NEO12HP115V1AO

12,000 BTUH 115v Outdoor Unit



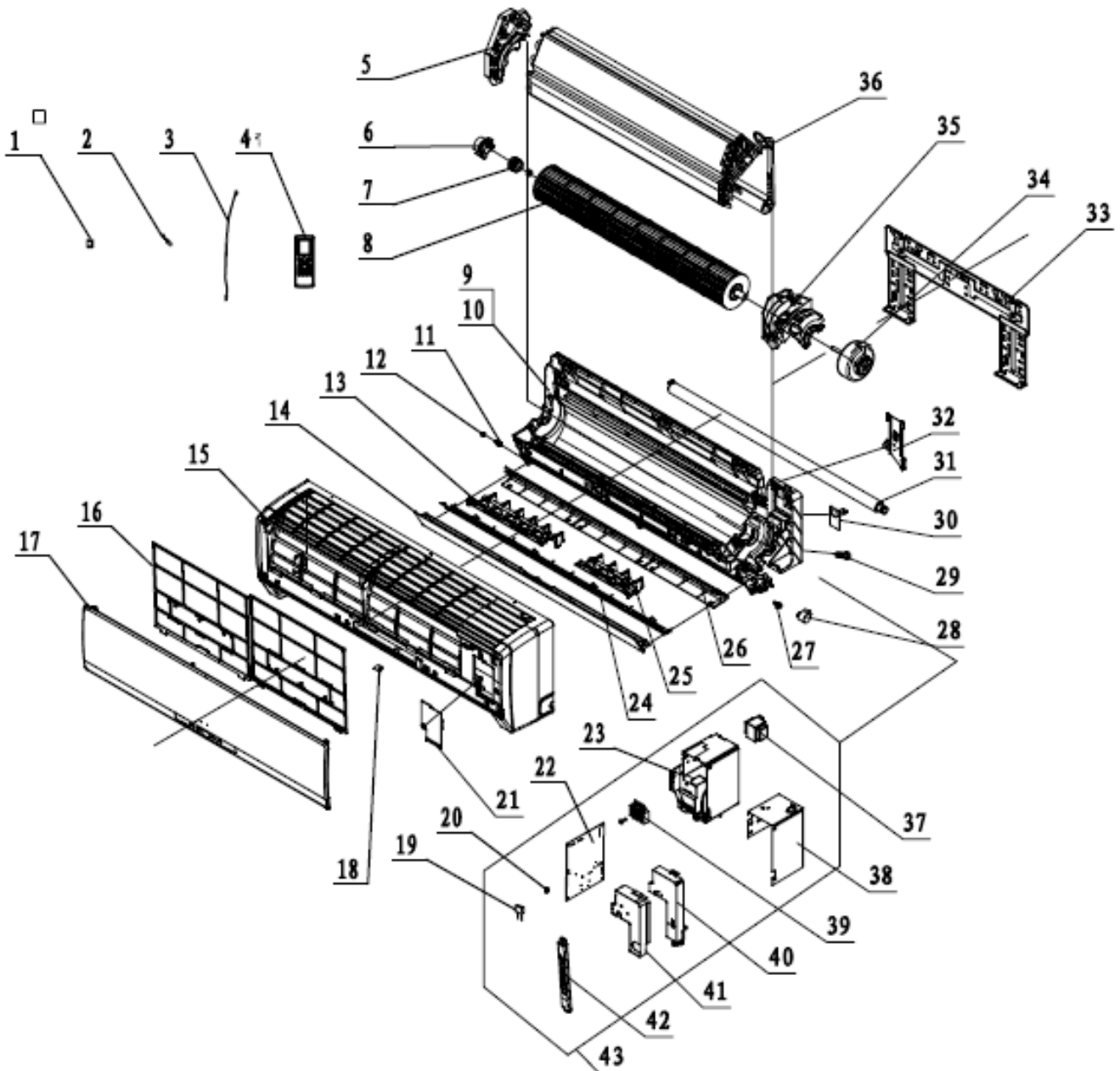
NEO12HP115V1AO
12,000 BTUH 115v Outdoor Unit
Product Code: CB171W10100_L12069

NO.	Part Code	Part Description	Qty
1	01473012	Front Grille	1
2	0153501604	Front Panel Assy	1
3	10333012	Axial Flow Fan	1
4	15013160	Fan Motor	1
5	76510010	Base Pan Electric Heater (Chassis)	1
6	01203881P	Chassis Sub-Assy	1
7	06123401	Drain Connector	1
8	76510009	Crankcase Electrical Heater(Compressor)	1
9	00103862	Compressor and Fittings	1
10	76710302	Compressor Grommets	3
11	4300040021	4-Way Valve Solenoid Coil	1
12	01713041	Valve Support	1
13	07100005	Gas/Suction Valve	1
14	07100003	Liquid Line Valve	1
15	22243010	Valve Cover	1
16	02123013P	Cable Cross Plate 1	1
17	02123014P	Cable Cross Plate 2	1
18	0130509901P	Right Side Plate	1
19	03073338	4-Way Valve Assy	1
20	430004032	4-Way Valve	1
21	03002600043	Electronic Expansion Valve Sub-Assy	1
Not Shown	07135228	Electronic Expansion Valve	1
22	4300876704	Electronic Expansion Valve Solenoid Coil	1
23	01475014	Rear Grille	1
24	01100200193	Condenser Coil Assy	1
25	00180030	Compressor Overload Protector(External)	1
Not Shown	00183032	Compressor Overload Protector(External)	1
Not Shown	00183031	Compressor Overload Protector(External)	1
26	01233090	Clapboard Sub-Assy	1
27	01253443	Top Cover Plate	1
28	0170301002	Motor Support Spot Welding Sub-Assy	1
29	0260309601	Electric Box Cover Sub-Assy	1
30	30138000535	Main Control Board	1
31	49010252	Radiator/Heat Sink	1
32	20113005	Electric Box 1	1
33	42010313	Terminal Board	1
34	01403767	Capacitor Box Sub-Assy	1
35	71010003	Wire Clamp	2
36	10000100198	Electric Box Assy	1
37	39000310	Temperature Sensor Assy**	1

** Temperature Sensor Assembly contains Discharge,
Condenser Coil and Ambient sensors.

NEO12HP230V1AH

12,000 BTUH 208/230v Indoor Unit

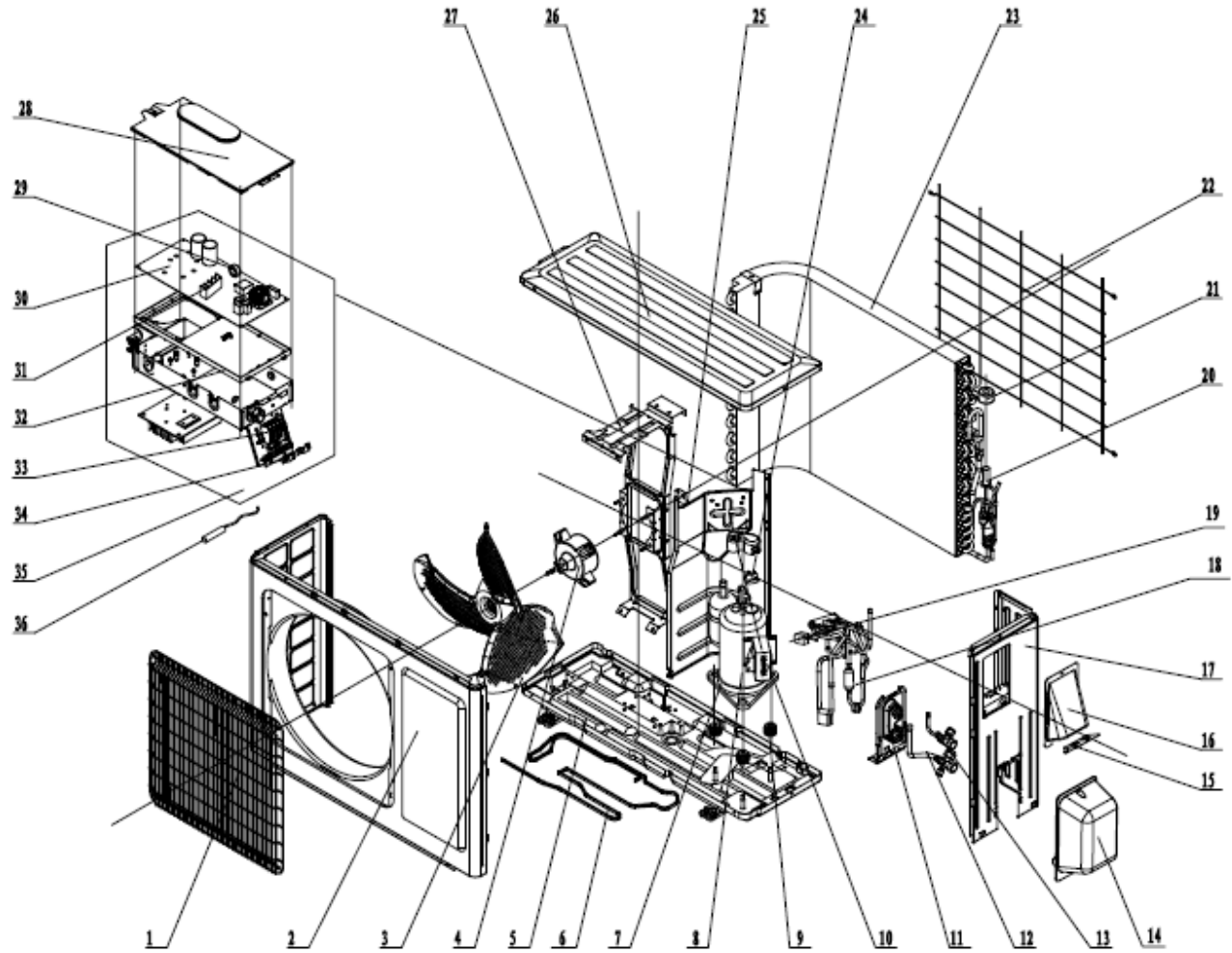


NEO12HP230V1AH
12,000 BTUH 208/230v Indoor Unit
Product Code: CB171N09300_L12069

NO.	Part Code	Part Description	Qty
1	NA	Pipe Connection	0
2	390000599	Indoor Coil Temperature Sensor	1
3	390000453	Ambient Temperature Sensor	1
4	30510554_L12069	Remote Controller (YAA1FBF)	1
Not Shown	20120048	Remote Controller Holder/Cradle	1
5	24212091	Evaporator Support	1
6	26152022	Bearing Ring	1
7	7651205102	Bearing O-Gasket Sub-Assy	1
8	10352017	Cross Flow Fan	1
9	2220210309	Rear Case Assy	1
10	2220245405	Rear Case	1
11	10542036	Axial Bushing	1
12	10512037	Left Axial Bushing	1
13	10512164	Air Louver 1	1
14	10512157	Guide Louver	1
15	2001213931	Front Case Sub-Assy	1
16	1112220403	Air Filter	2
17	20012548	Front Panel Sub-Assy	1
18	24252016	Screw Cover	1
19	33010002	Capacitor CBB61	1
20	4202300108	Configuration Jumper	1
21	2012207504	Electric Box Cover 2	1
22	30138000223	Main Control Board	1
23	2011216702	Electric Box	1
24	01472013	Rear Grille	1
25	10512165	Air Louver 2	1
26	26112163C	Helicoid Tongue	1
27	10582070	Crank	1
28	1521212901	Stepper Motor	1
29	76712012	Rubber Plug (Water Tray)	1
30	02122019	Cable Cross Plate	1
31	0523001401	Drain Hose	1
32	26112164	Connecting Pipe Clamp	1
33	01252021	Wall Mounting Bracket	1
34	1501208905	Fan Motor	1
35	26112161	Motor Press Plate	1
36	0100232101	Evaporator Coil Assy	1
38	01592072	Electric Box Lower Shield Sub-Assy	1
39	42011233	Terminal Board	1
40	2224213502	Electric Box Cover 1	1
41	01592073	Electric Box Shield Cover Sub-Assy	1
42	30565007	Display Board	1
43	20102000444	Electric Box Assy	1

NEO12HP230V1AO

12,000 BTUH 208/230v Outdoor Unit



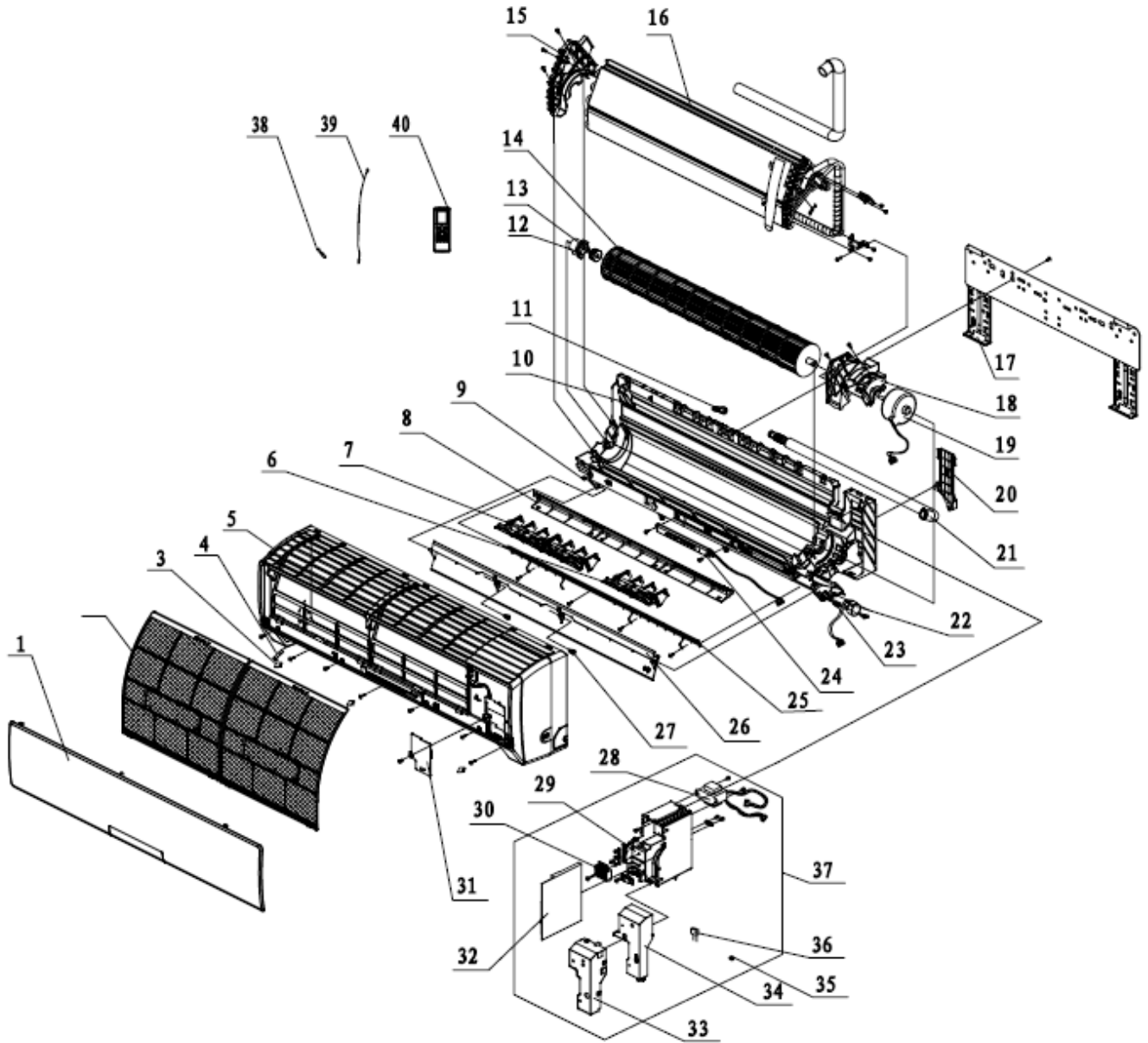
NEO12HP230V1AO
12,000 BTUH 208/230v Outdoor Unit
Product Code: CB171W04601_L12069

NO.	Part Code	Part Description	Qty
1	01473012	Front Grille	1
2	0153501604	Front Panel Assy	1
3	10333012	Axial Flow Fan	1
4	15013159	Fan Motor	1
5	02803076P	Chassis Sub-Assy	1
6	76510004	Base Pan Electric Heater (Chassis)	1
7	76513004	Crankcase Electric Heater(Compressor)	1
8	00103851	Compressor and Fittings	1
9	76710290	Compressor Grommet	3
10	43130185	Reactor	1
11	01713041	Valve Support	1
12	07100005	Gas/Suction Valve	1
13	07100003	Liquid Line Valve	1
14	22243010	Valve Cover	1
15	02123013P	Cable Cross Plate 1	1
16	02123014P	Cable Cross Plate 2	1
17	0130509901P	Right Side Plate	1
18	03123909	4-Way Valve Assy	1
Not Shown	430004032	4-Way Valve	1
19	4300040047	4-Way Valve Solenoid Coil	1
20	07133676	Electric Expansion Valve Sub-Assy	1
Not Shown	07130369	Electric Expansion Valve	1
21	4300876701	Electric Expansion Solenoid Coil	1
Not Shown	03143343	Capillary Sub-Assy	1
22	01475014	Rear Grille	1
23	01163459_L12069	Condenser Coil Assy	1
24	00183043	Compressor Overload Protector(External)	1
25	01233090	Clapboard Sub-Assy	1
26	01253443	Top Cover Plate	1
27	0170301002	Motor Support Spot Welding Sub-Assy	1
28	0260309601	Electric Box Cover Sub-Assy	1
29	49010109	Magnetic Ring	1
30	30138000265	Main Control Board	1
31	49010252	Radiator/Heat Sink	1
32	20113005	Electric Box 1	1
33	42010313	Terminal Board	1
34	71010003	Wire Clamp	2
35	02603910	Electric Box Assy	1
36	39000310	Temperature Sensor Assy**	1
Not Shown	43130185	Reactor	1
Not Shown	01413116	Reactor Assy	1

** Temperature Sensor Assembly contains Discharge, Condenser Coil and Ambient sensors.

NEO18HP230V1AH

18,000 BTUH 208/230v Indoor Unit

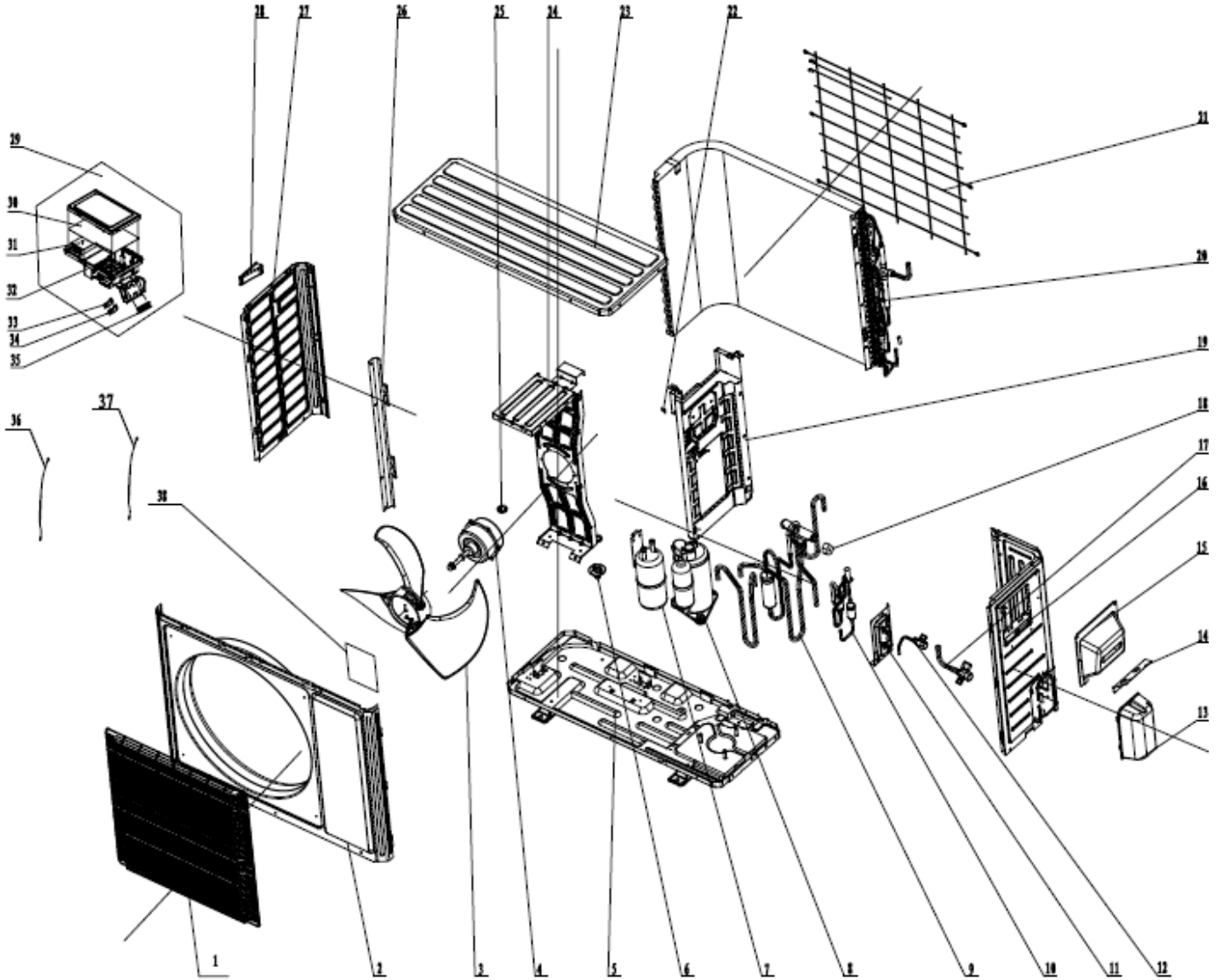


NEO18HP230V1AH
18,000 BTUH 208/230v Indoor Unit
Product Code: CB171N08900_L12069

NO.	Part Code	Part Description	Qty
1	20012260	Front Panel Assy	1
2	11122089	Air Filter	2
3	24252016	Screw Cover	3
4	26112228	Baffle Plate	1
5	20022172	Front Case Sub-Assy	1
6	10512708	Air Louver 1	1
7	10512709	Air Louver 2	1
8	26112238	Helicoid Tongue	1
9	10512037	Left Axial Bushing	1
10	22202128	Rear Case Assy	1
11	76712012	Rubber Plug (Water Tray)	1
12	26152022	Bearing Ring	1
13	7651205102	Bearing O-Gasket Sub-Assy	1
14	10352019	Cross Flow Fan	1
15	24212133	Evaporator Support	1
16	01002575	Evaporator Coil Assy	1
17	01252218	Wall Mounting Bracket	1
18	26112494	Motor Press Plate	1
19	1501214601	Fan Motor	1
20	26112164	Connecting Pipe Clamp	1
21	05230014	Drain Hose	1
22	15012086	Stepper Motor	1
23	10582070	Crank	1
24	30565038	Display Board	1
25	01472015	Mesh Enclosure	1
26	10512115	Guide Louver	1
27	10542036	Axial Bushing	1
28	NA	Transformer	0
29	2011210802	Electric Box	1
30	42011233	Terminal Board	1
31	2011208112	Electric Box Cover 2	1
32	30138000222	Main Control Board	1
33	01592092	Electric Box Shield Cover	1
34	2012215401	Electric Box Cover 1	1
35	4202300109	Configuration Jumper	1
36	33010043	Capacitor CBB61	1
37	20102000450	Electric Box Assy	1
38	390000451	Ambient Temperature Sensor	1
39	390000597	Indoor Coil Temperature Sensor	1
40	30510554_L12069	Remote Controller (YAA1FBF)	1
Not Shown	20120048	Remote Controller Holder/Cradle	1

NEO18HP230V1AO

18,000 BTUH 208/230v Outdoor Unit



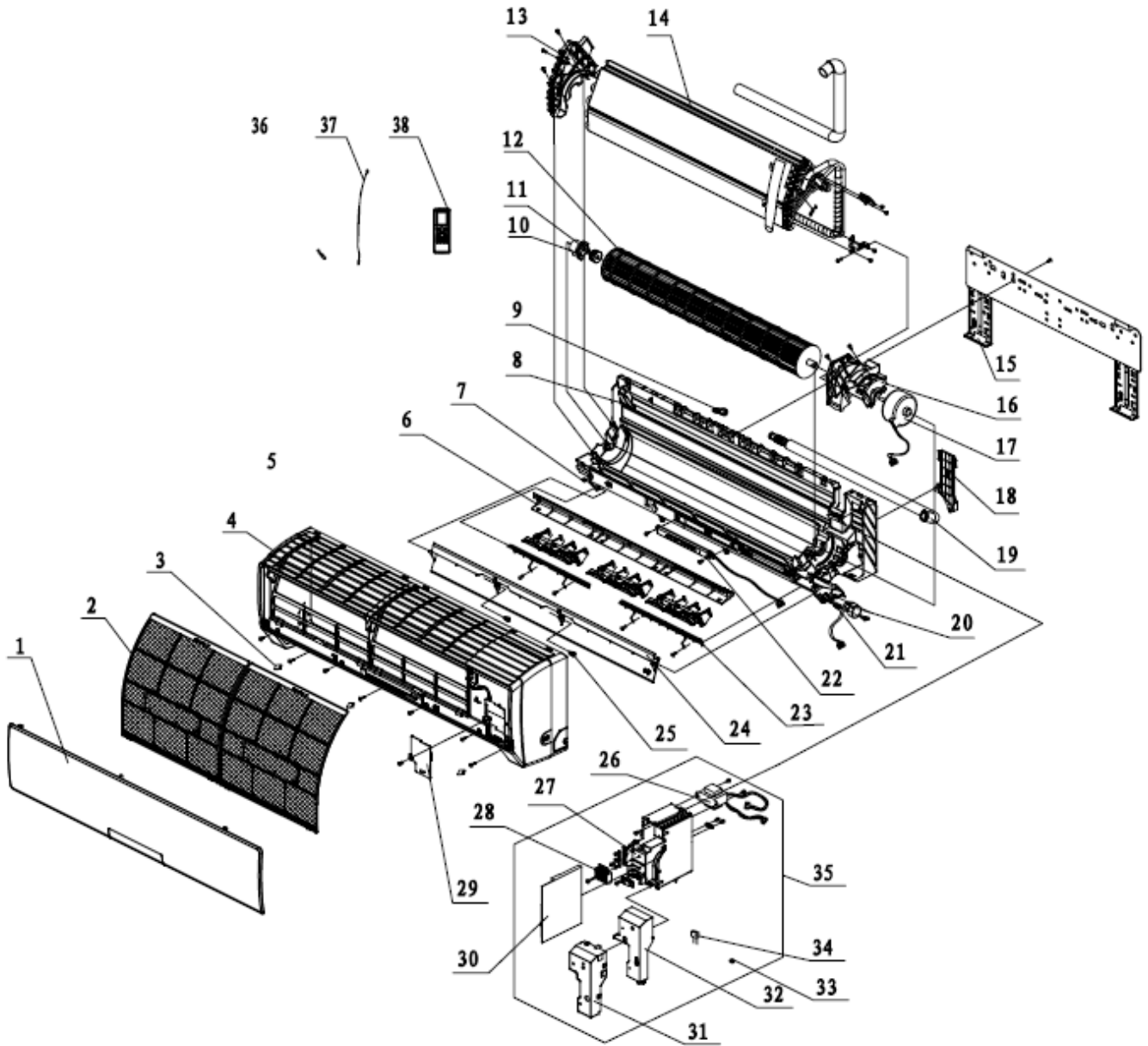
NEO18HP230V1AO
18,000 BTUH 208/230v Outdoor Unit
Product Code: CB171N08900_L12069

NO.	Part Code	Part Description	Qty
1	01473043	Rear Grille	1
2	01433069	Cabinet Assy	1
3	10335008	Axial Flow Fan	1
4	1501506402	Fan Motor	1
5	02803083P	Chassis Sub-Assy	1
6	06123401	Drain Connector	1
7	07225017	Gas-Liquid Separator Assy	1
8	00105241	Compressor and Fittings	1
Not Shown	00183084	Compressor Overload Protector(External)	1
9	03123891	4-Way Valve Assy	1
Not Shown	430004032	4-Way Valve	1
10	07133772	Electronic Expansion Valve Assy	1
Not Shown	07130369	Electronic Expansion Valve	1
Not Shown	4300876706	Electronic Expansion Valve Solenoid Coil	1
Not Shown	81020167	Capillary Sub-Assy	1
11	01715010P	Valve Support Assy	1
Not Shown	071302392	Gas/Suction Valve	1
12	07130239	Liquid Line Valve	1
13	22245002	Valve Cover	1
14	02115006P	Retaining Plate	1
15	02113109	Handle Assy	1
16	0130509403P	Right Side Plate	1
17	07133210	Cut off Valve Sub-Assy	1
18	4300040045	4-Way Valve Solenoid Coil	1
19	0123315301	Clapboard Assy	1
20	01163487_L12069	Condenser Coil Assy	1
21	01473049	Front Grille	1
22	26115004	Wiring Clamp	1
23	01255005P	Coping	1
24	01705036	Motor Support Sub-Assy	1
26	01795010	Supporting Board(Condenser)	1
27	01305093P	Left Side Plate	1
29	0260393702	Electric Box Assy	1
30	30148496	Main Control Board	1
31	49010252	Radiator/Heat Sink	1
32	20113027	Electric Box	1
33	71010003	Wire Clamp	1
34	71010003	Wire Clamp	1
35	42010255	Terminal Board	1
36	3900030901	Temperature Sensor Assembly**	1
37	39000072	Low Ambient Temperature Sensor	1
38	20113003	Insulated Board (Cover of Electric Box)	1
Not Shown	43130185	Reactor	1
Not Shown	01413092	Reactor Assy	1

** Temperature Sensor Assembly contains Discharge, Condenser Coil and Ambient sensors.

NEO24HP230V1AH

24,000 BTUH 208/230v Indoor Unit

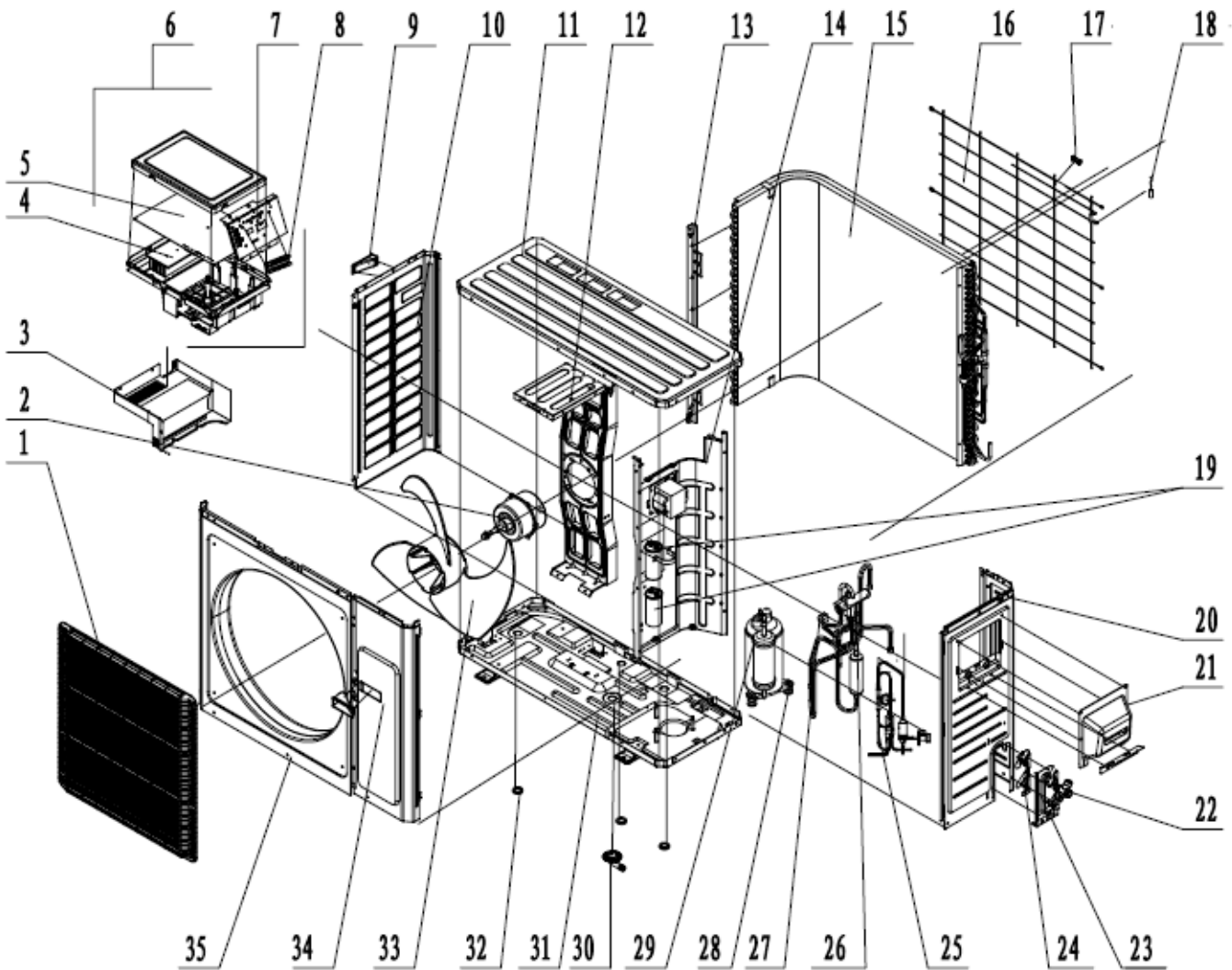


NEO24HP230V1AH
24,000 BTUH 208/230v Indoor Unit
Product Code: CB171N09800_L12069

NO.	Part Code	Part Description	Qty
1	20012328	Front Panel Assy	1
2	1112209101	Air Filter	2
3	24252016	Screw Cover	3
4	2001232901	Front Case Assy	1
5	10512141	Air Louver	3
6	26112187	Helicoid Tongue	1
7	10512037	Left Axial Bushing	1
8	00000100037	Rear Case Assy	1
9	76712012	Rubber Plug (Water Tray)	1
10	26152025	Bearing Ring	1
11	7651205102	Bearing O-Gasket Sub-Assy	1
12	10352045	Cross Flow Fan	1
13	24212139	Evaporator Support	1
14	01100100032	Evaporator Coil Assy	1
15	01252032	Wall Mounting Bracket	1
16	26112330	Motor Press Plate	1
17	15012136	Fan Motor	1
18	26112188	Connecting Pipe Clamp	1
19	0523001401	Drain Hose	1
20	1521300101	Stepper Motor	1
21	10582070	Crank	1
22	30565038	Display Board	1
23	01472016	Mesh Enclosure	1
24	10512118	Guide Louver	1
25	10542036	Axial Bushing	2
26	NA	Transformer	0
27	2011210802	Electric Box	1
28	42011233	Terminal Board	1
29	2011208112	Electric Box Cover2	1
30	30138000220	Main Control Board	1
31	01592092	Electric Box Shield Cover	1
32	2012215401	Electric Box Cover1	1
33	4202300108	Configuration Jumper	1
34	NA	Capacitor CBB61	0
35	20102000448	Electric Box Assy	1
36	390000451	Ambient Temperature Sensor	1
37	390000598	Indoor Coil Temperature Sensor	1
38	30510554_L12069	Remote Controller (YAA1FBF)	1
Not Shown	20120048	Remote Controller Holder/Cradle	1

NEO24HP230V1AO

24,000 BTUH 208/230v Outdoor Unit



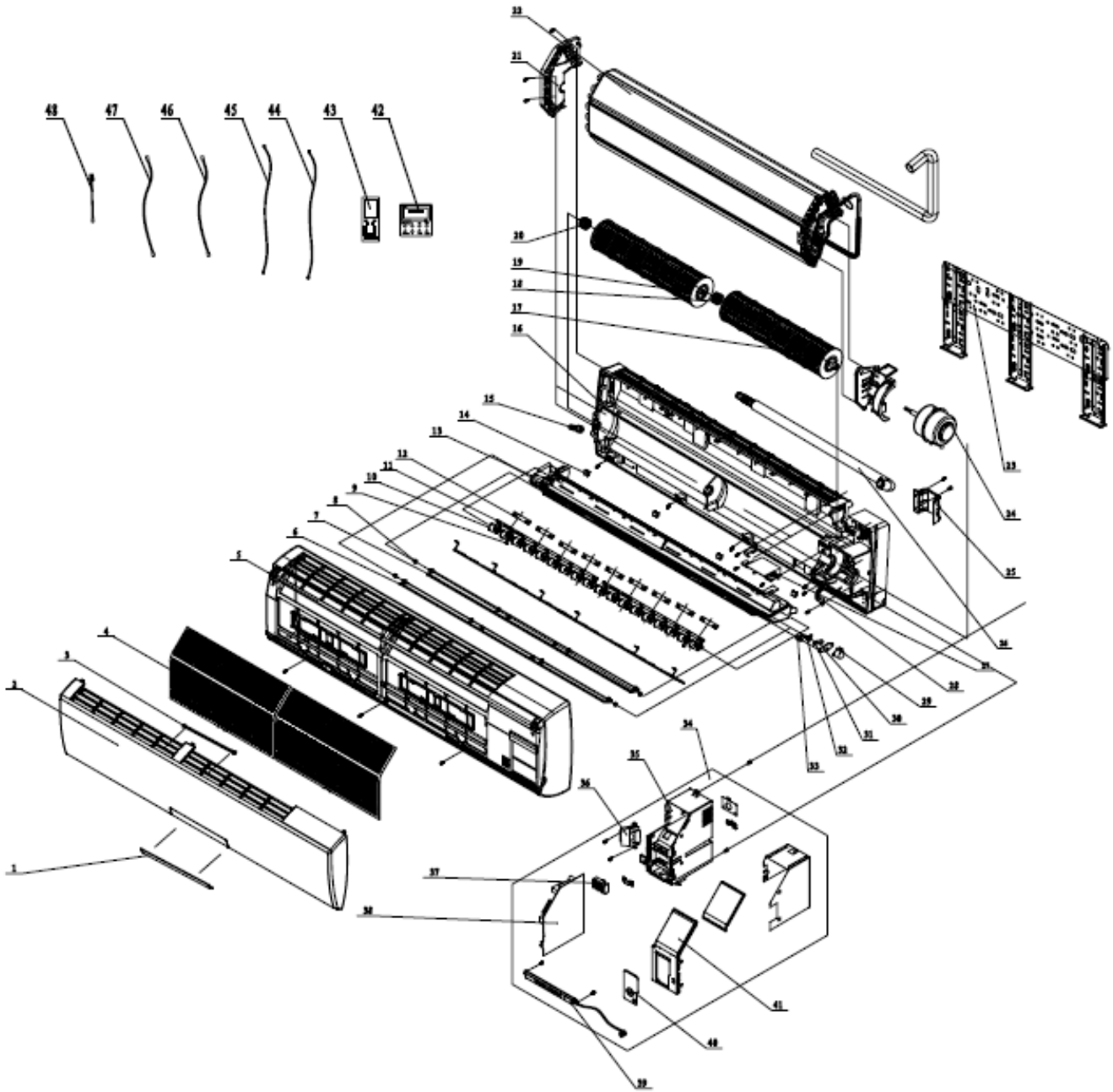
NEO24HP230V1AO
24,000 BTUH 208/230v Outdoor Unit
Product Code: CB171W07001_L12069

NO.	Part Code	Part Description	Qty
1	01473050	Front Grille	1
2	1501506205	Fan Motor	1
3	none	Electric Box (fireproofing)	0
4	4901302801	Radiator/Heat Sink	1
5	30148498	Main Control Board	1
6	02613295	Electric Box Assy	1
7	01713175A	Terminal Board Support sub-Assy	1
8	42010255	Terminal Board	1
9	26235401	Left Handle	1
10	01305043P	Left Side Plate	1
11	01255006P	Coping	1
12	01705025	Motor Support Sub-Assy	1
13	01175092	Condenser Support Plate	1
14	01233164	Clapboard Assy	1
15	01163427_L12069	Condenser Coil Assy	1
16	01475013	Rear Grille	1
17	26115004	Wiring Clamp	1
18	3900030901	Temperature Sensor Assembly**	1
19	NA	Capacitor CBB65	0
20	0130504402P	Right Side Plate	1
21	02115005	Big Handle	1
22	07133157	Gas/Suction Valve	1
Not Shown	07130239	Liquid Line Valve	1
23	0171501201P	Valve Support Sub-Assy	1
24	01365435P	Baffle(Valve Support)	1
25	none	Capillary Sub-Assy	0
26	03123863	4-Way Valve Assy	1
Not Shown	430004032	4-Way Valve	1
27	4300040045	4-Way Valve Solenoid Coil	1
28	76715021	Compressor Grommet	3
29	00103873	Compressor and Fittings	1
Not Shown	00183043	Compressor Overload Protector(External)	1
Not Shown	4300876705	Electronic Expansion Valve Solenoid Coil	1
Not Shown	07135071	Electronic Expansion Valve	1
30	06123401	Drain Connector	1
31	0280308001P	Chassis Sub-Assy	1
32	none	Drain Plug	0
33	10335014	Axial Flow Fan	1
34	01303249P	Front Side Plate Sub-Assy	1
35	0153501405	Front Panel Assy	1
Not Shown	39000072	Low Ambient Temperature Sensor	1
Not Shown	43130025	Reactor	1

** Temperature Sensor Assembly contains Discharge, Condenser Coil, and Ambient sensors.

NEO30HP230V1AH

30,000 BTUH 208/230v Indoor Unit

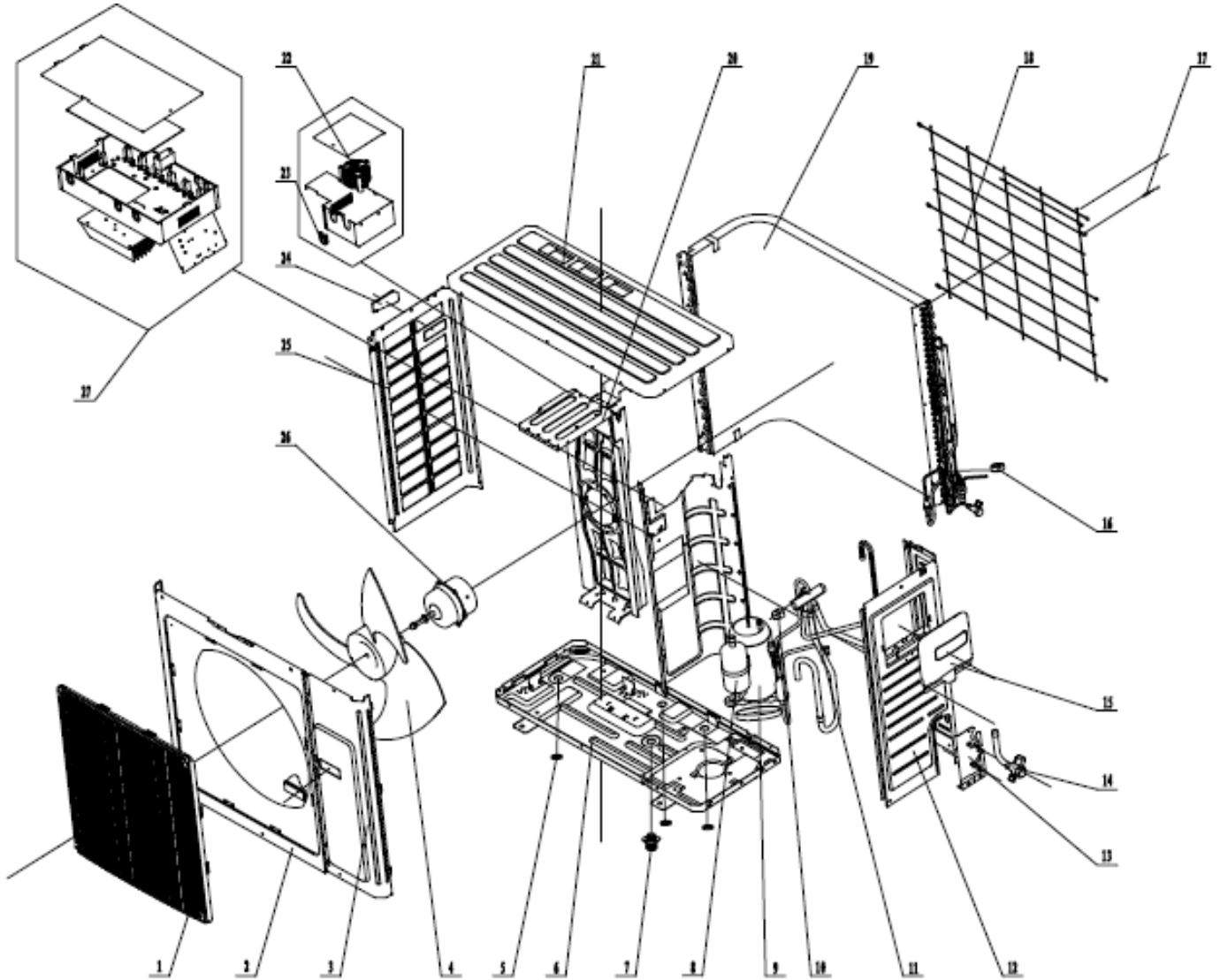


NEO30HP230V1AH
30,000 BTUH 208/230v Indoor Unit
Product Code: CB171W07100_L12069

NO.	Part Code	Part Description	Qty
1	22432164	Receiver Window	1
2	20012490S	Front Panel	1
3	24212120	Stand Bar	1
4	11122106	Air Filter	2
5	20022159	Front Case Sub-Assy	1
6	10512166	Upper Guide Louver	1
7	10512167	Lower Guide Louver	1
8	10542704	Axial Bushing	6
9	10512169	Air Louver 2	2
10	10512168	Air Louver 1	16
11	10582086	Connecting Rod	2
12	26112158	Louver Clamp	9
13	20182138	Condensate Water Tray	1
14	242520053	Screw Cover	4
15	76712012	Rubber Plug (Water Tray)	1
16	22202928	Rear Case Assy	1
17	10352039	Cross Flow Fan 1	1
18	26152028	Bearing Holder Sub-Assy	1
19	10352040	Cross Flow Fan 2	1
20	76512051	Bearing O-Gasket Sub-Assy	1
21	24212041	Left Evaporator Support	1
22	01002000027	Evaporator Coil Assy	1
23	01252398	Wall Mounting Bracket	1
24	1501213401	Fan Motor	1
25	26112071	Pipe Clamp	1
26	0523001404	Drain Hose	1
27	20122124	Cover Plate	1
28	26112324	Motor Fixed Clip 1	1
29	1521210701	Stepper Motor	1
30	26112070	Press Plate (Crank)	1
31	10582041	Crank-Guide	1
32	10562004	Upper Crank	1
33	10562005	Lower Crank	1
34	20102000465	Electric Box Assy	1
35	201022502	Electric Box	1
37	42011233	Terminal Board	1
38	30138000192	Main Control Board	1
Not Shown	4202021907	Configuration Jumper	1
39	30565087	Display Board	1
40	201022523	Electric Box Cover 1	1
43	30510554_L12069	Remote Controller (YAA1FBF)	1
Not Shown	20120048	Remote Controller Holder/Cradle	1
Not Shown	4001024503	Wired Controller Interface Cable	1
47	390000592	Indoor Coil Temperature Sensor	1
48	390000453	Ambient Temperature Sensor	1

NEO30HP230V1AO

30,000 BTUH 208/230v Outdoor Unit



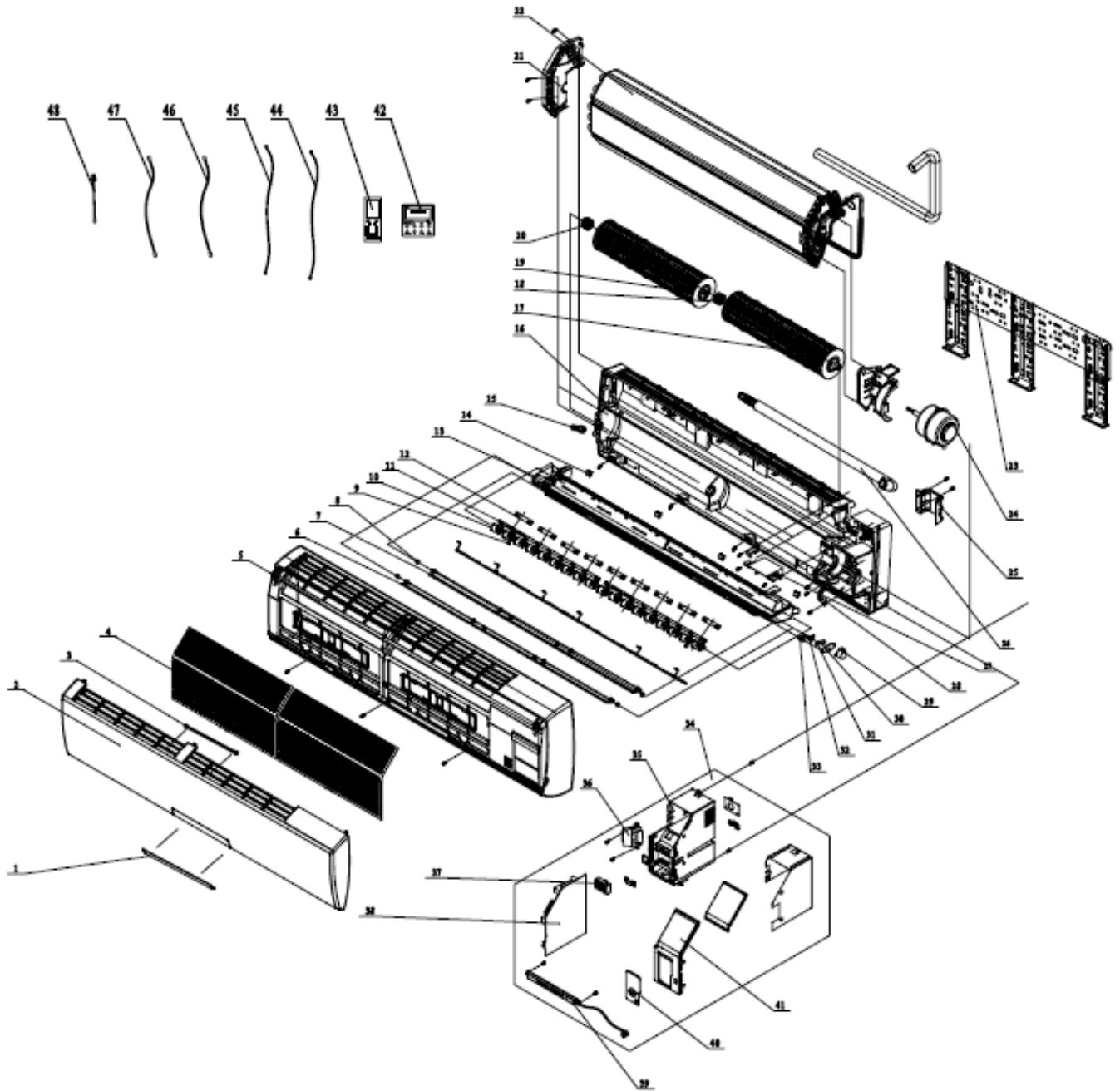
NEO30HP230V1AO
30,000 BTUH 208/230v Outdoor Unit
Product Code: CB171W07100_L12069

NO.	Part Code	Part Description	Qty
1	01473050	Front Grille	1
2	0153501405	Front Panel Assy	1
3	01305086P	Front Side Plate	1
4	10335014	Axial Flow Fan	1
5	none	Drain Plug	0
6	02803101P	Chassis Sub-Assy	1
7	06123401	Drain Connector	1
8	00105051	Compressor and Fittings	1
Not Shown	00180030	Compressor Overload Protector(External)	1
Not Shown	00183051	Compressor Overload Protector(External)	1
Not Shown	00183032	Compressor Overload Protector(External)	1
9	7651873209	Crankcase Electric Heater(Compressor)	1
10	4300040029	4-Way Valve Solenoid Coil	1
11	03123895	4-Way Valve Assy	1
Not Shown	4300008201	4-Way Valve	1
12	0130504402P	Right Side Plate	1
13	0171501201P	Valve Support Sub-Assy	1
14	07133555	Gas/Suction Valve	1
Not Shown	07130239	Liquid Line Valve	1
15	02115005	Big Handle	1
16	4300876703	Electronic Expansion Valve Solenoid Coil	1
Not Shown	07133688	Electronic Expansion Valve Assy	1
Not Shown	07138807	Electronic Expansion Valve	1
Not Shown	81028009	Capillary Sub-Assy	1
17	3900031001	Temperature Sensor Assembly**	1
18	01475013	Rear Grille	1
19	01163509_L12069	Condenser Coil Assy	1
20	0180287601	Motor Support Sub-Assy	1
21	01255007	Top Cover Sub-Assy	1
22	none	PFC Inductance	0
23	76614102	Pass Wire Ring Sub-Assy	2
24	26235401	Left Handle	2
25	01305043P	Left Side Plate	1
26	15702802	Fan Motor	1
27	02613050	Electric Box Assy	1
Not Shown	30148338	Main Control Board	1
Not Shown	39000072	Low Ambient Temperature Sensor	1
Not Shown	43130192	Reactor	1

** Temperature Sensor Assembly contains Discharge, Condenser Coil, and Ambient sensors.

NEO306P230V1AH

36,000 BTUH 208/230v Indoor Unit

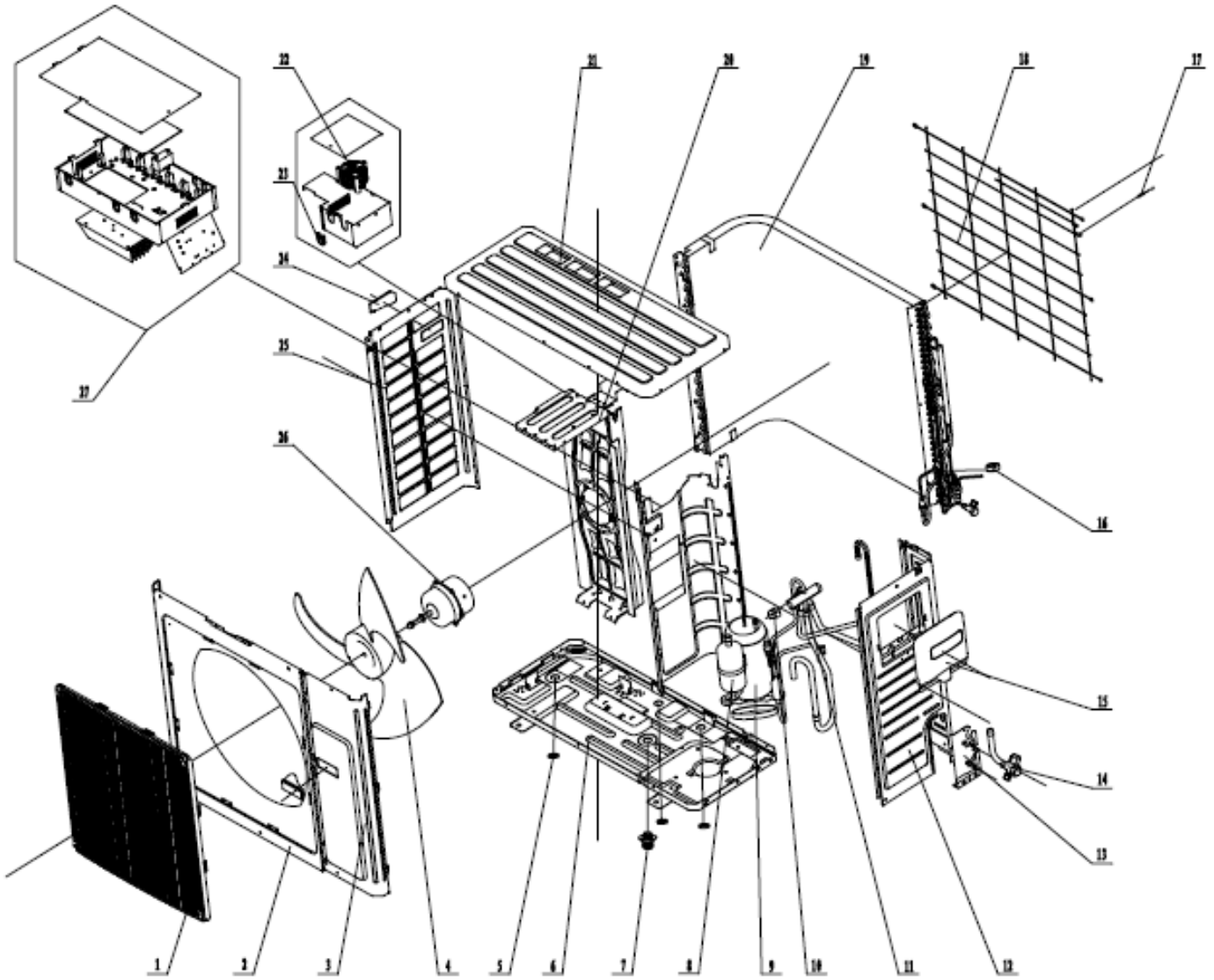


NEO36HP230V1AH
36,000 BTUH 208/230v Indoor Unit
Product Code: CB171N09500_L12069

NO.	Part Code	Part Description	Qty
1	22432164	Receiver Window	1
2	20012490S	Front Panel	1
3	24212120	Stand Bar	1
4	11122106	Air Filter	2
5	20022159	Front Case Sub-Assy	1
6	10512166	Upper Guide Louver	1
7	10512167	Lower Guide Louver	1
8	10542704	Axial Bushing	6
9	10512169	Air Louver 2	2
10	10512168	Air Louver 1	16
11	10582086	Connecting Rod	2
12	26112158	Louver Clamp	9
13	20182138	Condensate Water Tray	1
14	242520053	Screw Cover	4
15	76712012	Rubber Plug (Water Tray)	1
16	22202928	Rear Case Assy	1
17	10352039	Cross Flow Fan 1	1
18	26152028	Bearing Holder Sub-Assy	1
19	10352040	Cross Flow Fan 2	1
20	76512051	Bearing O-Gasket Sub-Assy	1
21	24212041	Left Evaporator Support	1
22	01002000027	Evaporator Coil Assy	1
23	01252398	Wall Mounting Bracket	1
24	1501213401	Fan Motor	1
25	26112071	Pipe Clamp	1
26	0523001404	Drain Hose	1
27	20122124	Cover Plate	1
28	26112324	Motor Fixed Clip 1	1
29	1521210701	Stepper Motor	1
30	26112070	Press Plate (Crank)	1
31	10582041	Crank-Guide	1
32	10562004	Upper Crank	1
33	10562005	Lower Crank	1
34	20102000466	Electric Box Assy	1
35	201022502	Electric Box	1
37	42011233	Terminal Board	1
38	30138000192	Main Control Board	1
Not Shown	4202021908	Configuration Jumper	1
39	30565087	Display Board	1
40	201022523	Electric Box Cover 1	1
43	30510554_L12069	Remote Controller (YAA1FBF)	1
Not Shown	20120048	Remote Controller Holder/Cradle	1
Not Shown	4001024503	Wired Controller Interface Cable	1
47	390000592	Indoor Coil Temperature Sensor	1
48	390000453	Ambient Temperature Sensor	1

NEO36HP230V1AO

36,000 BTUH 208/230v Outdoor Unit



NEO36HP230V1AO
36,000 BTUH 208/230v Outdoor Unit
Product Code: CB171N09500_L12069

NO.	Part Code	Part Description	Qty
1	01473050	Front Grille	1
2	0153501405	Front Panel Assy	1
3	01305086P	Front Side Plate	1
4	10335014	Axial Flow Fan	1
5	none	Drain Plug	0
6	02803026P	Chassis Sub-Assy	1
7	06123401	Drain Connector	1
8	00205275	Compressor	1
9	7651873209	Crankcase Electric Heater(Compressor)	1
10	4300040029	4-way Valve Solenoid Coil	1
11	03123890	4-Way Valve Assy	1
Not Shown	43000338	4-Way Valve	1
12	0130504402P	Right Side Plate	1
13	0171501201P	Valve Support Sub-Assy	1
Not Shown	07133157	Gas/Suction Valve	1
Not Shown	07130239	Liquid Line Valve	1
15	02115005	Big Handle	1
Not Shown	07138807	Electronic Expansion Valve	1
16	4300876703	Expansion Valve Solenoid Coil	1
17	3900031001	Temperature Sensor Assembly**	1
18	01475013	Rear Grille	1
19	01163491_L12069	Condenser Coil Assy	1
20	01802876	Motor Support Sub-Assy	1
21	01255007	Top Cover Sub-Assy	1
22	none	PFC Inductance	0
23	76614102	Pass Wire Ring Sub-Assy	2
24	26235401	Left Handle	2
25	01305043P	Left Side Plate	1
26	1570280205	Fan Motor	1
27	02613030	Electric Box Assy	1
Not Shown	30148360	Main Control Board	1
Not Shown	39000072	Low Ambient Temperature Sensor	1
Not Shown	00185012	Compressor Overload Protector(External)	1
Not Shown	43130192	Reactor	1

** Temperature Sensor Assembly contains Discharge, Condenser Coil, and Ambient sensors.

