

<b>Submittal Data: NEO36HP230V1A</b>		<b>36,000 BTU/H Wall Mounted Heat- Pump System</b>	
Job Name		Location	
Purchaser		Date	
Submitted To		Engineer	
Submitted To		For <input type="checkbox"/> Reference <input type="checkbox"/> Approval <input type="checkbox"/> Construction	
Unit Designation		Schedule No.	
<b>GENERAL FEATURES</b> -Compact and Quiet Design -Energy Star Qualified -High Efficiency DC Inverter Technology -Wireless Remote with LCD Display -Low Ambient Cool to 5 deg F -Intelligent Defrost -Acrylic Resin/Anti-Corrosion Coil Protection Inside & Out -5 year Limited Parts Warranty -7 year Limited Compressor Warranty			
System Ratings		Indoor Unit Data	
<b>Cooling</b> Rated Capacity 33,600 BTU/H Capacity Range 7,400-36,000 BTU/H Power Input (Max) 4,300 W SEER 16 EER 8.2		<b>Fan Motor</b> Output Power 70 W FLA 0.5 A  <b>Airflow</b> Cooling Wet (Lo/Hi) 412/736 CFM Heating Dry (Lo/Hi) 831/896 CFM	
<b>Heating at 47° F</b> Rated Capacity 34,600 BTU/H Capacity Range 15,000-36,000 BTU/H Power Input (Max) 4,300 W HSPF 8.2 COP 2.5		<b>Sound Pressure Level</b> Cooling (Lo/Hi) 49/59 db(A) Heating (Lo/Hi) 49/59 db(A)	
<b>Heating at 17° F</b> Rated Capacity 20,600 BTU/H Capacity (Max) 26,495 BTU/H Power Input (Max) 3,165 W COP 2.1		<b>Dimensions &amp; Weights</b> Unit Dimensions (LxHxD) 53.1 x 12.8 x 10.0-in Weight (Net/Shipping) 44/60 LBS	
Operating Range		Outdoor Unit Data	
Cooling (Max) 109°F (43 C) (Min) 5°F (-15 C) Heating (Max) 75°F (24 C) (Min) 5°F (-15 C)		<b>Compressor</b> DC Inverter Driven Rotary <b>Refrigerant Type</b> R410A <b>Fan Motor</b> Output Power 120 W FLA 0.7 A  <b>Sound Pressure</b> Cooling 65 db(A) Heating 65 db(A)	
<b>Power Supply</b> Normal Operational Voltage 208/230 V, 1 Phase, 60 Hz Voltage Range 187 - 253 V Main Power Wire Size 8-2 AWG Interconnecting Cable Wire Size 14-4 AWG MCA 24.0 A MOCP/Breaker Size 40 A		<b>Dimensions &amp; Weights</b> Unit Dimensions (LxHxD) 38.6 x 31.1 x 16.8 -in Weight (Net/Shipping) 161/170 LBS	
		<b>Refrigerant Piping Data</b> Gas Pipe Size (OD) 5/8-in Liquid Pipe Size (OD) 1/4-in Connection Method Flared MAX Refrigerant Pipe Length 100-ft MIN Refrigerant Pipe Length 10-ft MAX Refrigerant Pipe Height Difference 33-ft	



**EXTENDED RATINGS**

**COOLING PERFORMANCE**

Outdoor Ambient Temperature (DB)	Indoor Entering Air Temperatures (DB) 50% RH					
	62 F		67 F		72 F	
	TC	SHC	TC	SHC	TC	SHC
25 F	39,451	30,156	41,268	32,145	43,267	33,687
35 F	37,812	29,781	40,234	31,124	42,264	32,146
45 F	36,789	28,457	39,124	30,124	41,256	30,891
55 F	35,456	28,145	38,452	29,145	40,257	30,458
65 F	34,597	27,594	36,756	28,157	39,257	29,123
75 F	33,569	26,987	35,897	27,598	38,947	28,942
85 F	32,158	25,678	34,589	26,571	37,896	27,569
95 F	30,259	24,897	33,878	25,756	35,254	26,594
105 F	29,129	24,295	32,795	24,129	35,020	25,674
115 F	28,874	23,253	29,920	24,235	31,960	25,025

**HEATING PERFORMANCE**

Outdoor Ambient Temperature (DB) (80% RH)	Indoor Entering Air Temperatures (DB)					
	65 F		70 F		75 F	
	TC	SHC	TC	SHC	TC	SHC
5 F	24,235	24,235	22,175	22,175	21,457	21,457
15 F	25,687	25,687	24,712	24,712	23,584	23,584
25 F	29,574	29,574	28,475	28,475	26,475	26,475
35 F	32,154	32,154	31,257	31,257	27,481	27,481
45 F	34,214	34,214	33,241	33,241	30,118	30,118
55 F	35,127	35,127	34,145	34,145	31,245	31,245
65 F	36,471	36,471	35,122	35,122	32,014	32,014

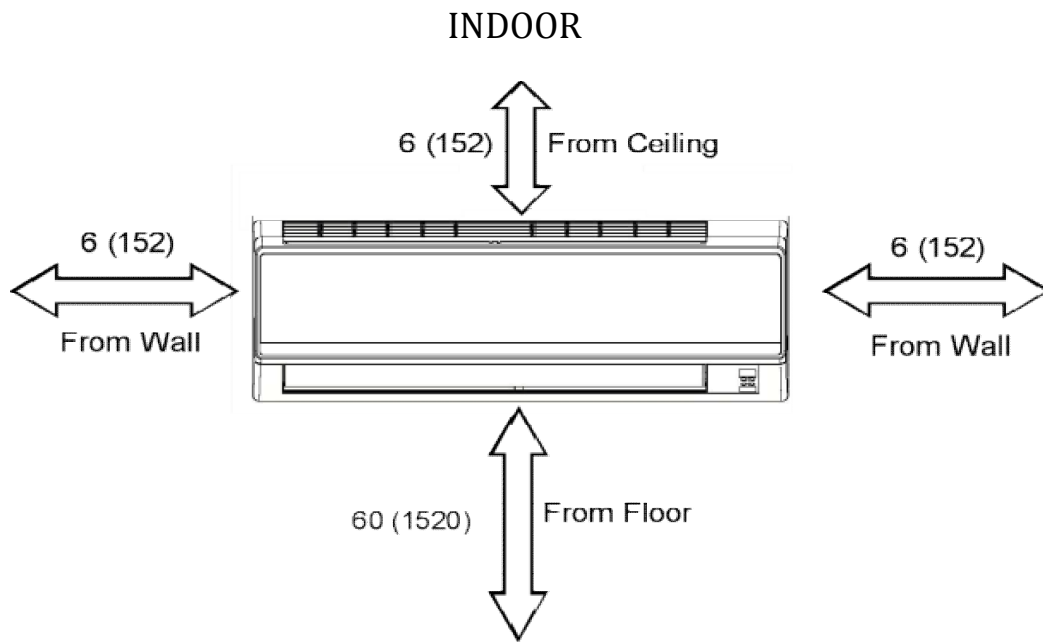
TC- Total Capacity ( BtuH)

SHC- Sensible Capacity (BtuH)

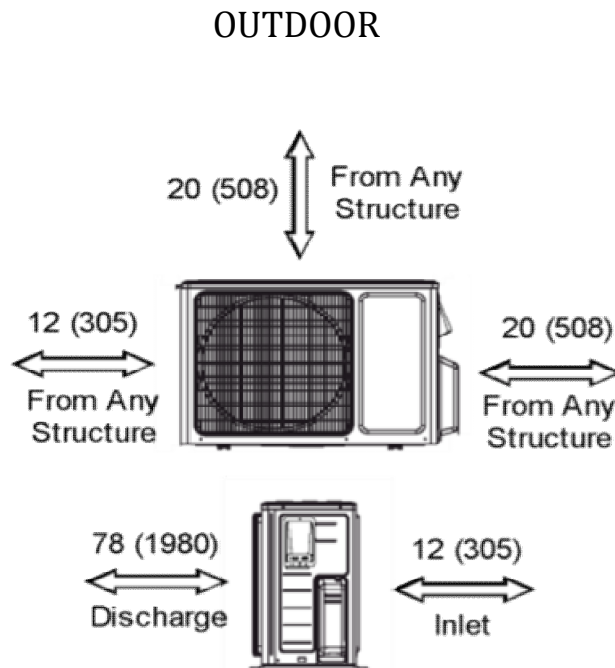


MINIMUM SPACING REQUIREMENTS

Units: inch (mm)



Units: inch (mm)

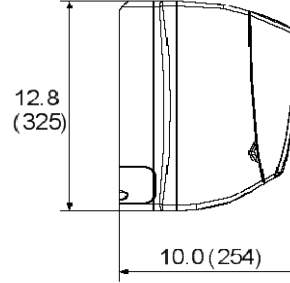
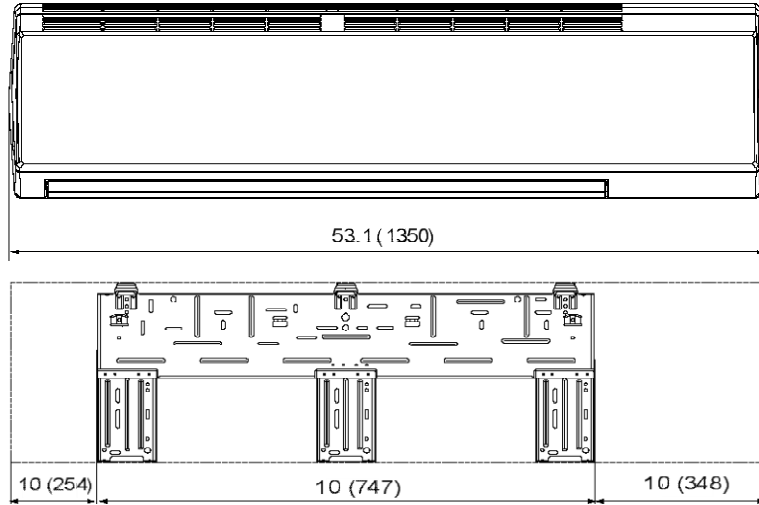


## DIMENSIONAL SPECIFICATIONS

**NEO36HP230V1A**

### INDOOR UNIT DIMENSIONS

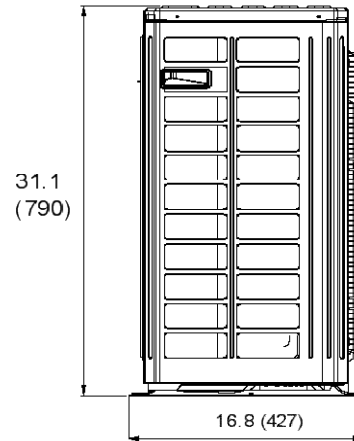
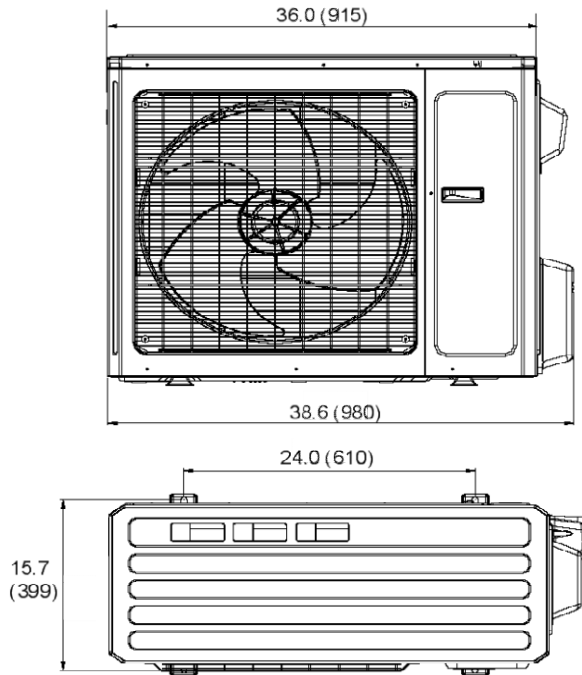
Units: inch (mm)



Liquid Line Valve	1/4-in OD Flared
Gas Line Valve	5/8-in OD Flared
Drain Connector	5/8-in OD

### OUTDOOR UNIT DIMENSIONS

Units: inch (mm)



Liquid Line Valve	1/4-in OD Flared
Gas Line Valve	5/8-in OD Flared

**Notes:**

1. Recommended Interconnecting Cable Type Stranded Bare Copper Conductors THHN 600V Wire
2. Power wiring cable size must comply with applicable national and local codes.
3. Test conditions are based on AHRI 210/240.



[www.greecomfort.com](http://www.greecomfort.com)

Specifications are subject to change without notice. Manufacturer reserves the right to discontinue or modify specifications or designs without notice or without incurring obligations. All rights reserved.