

Replacement Parts Catalog

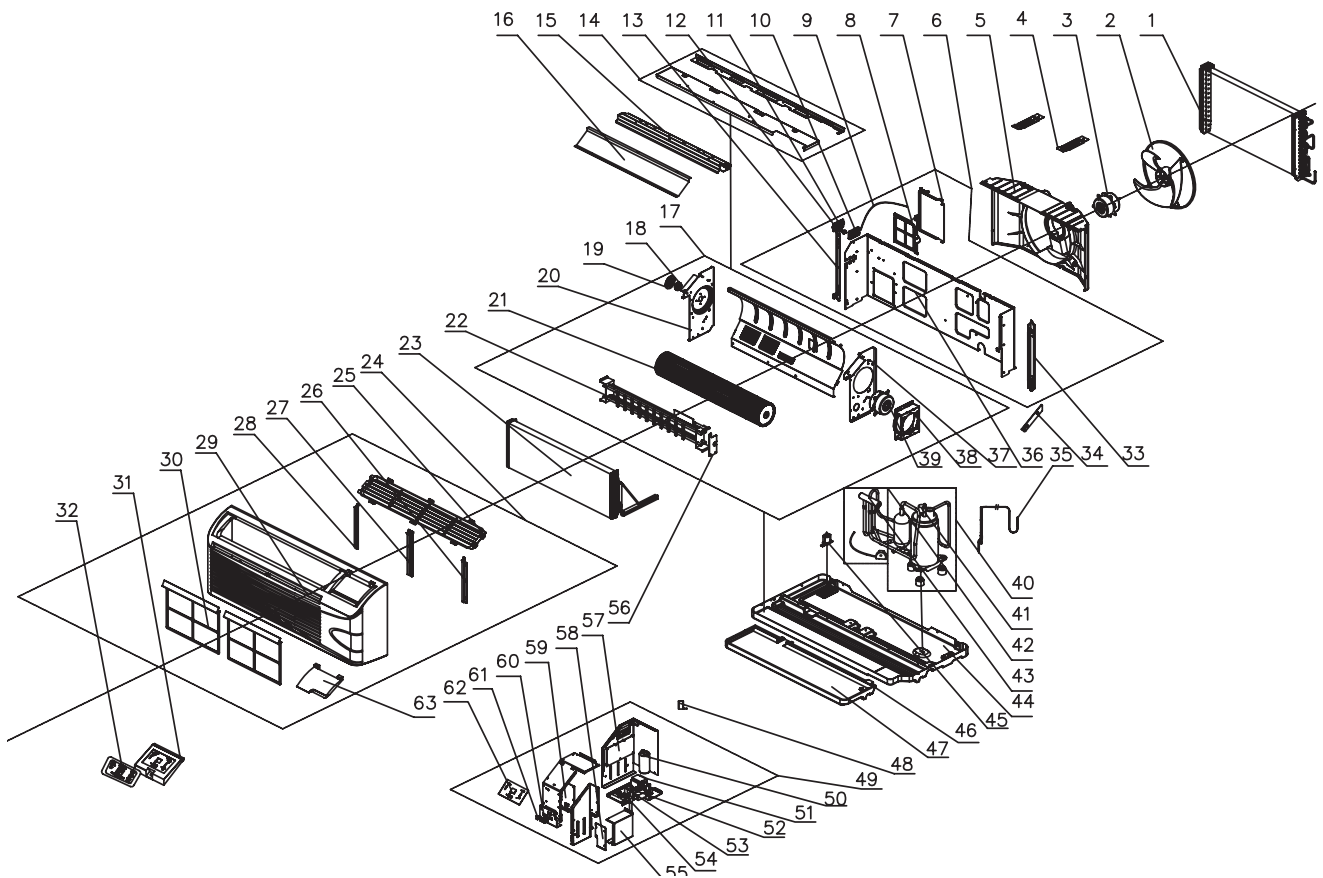
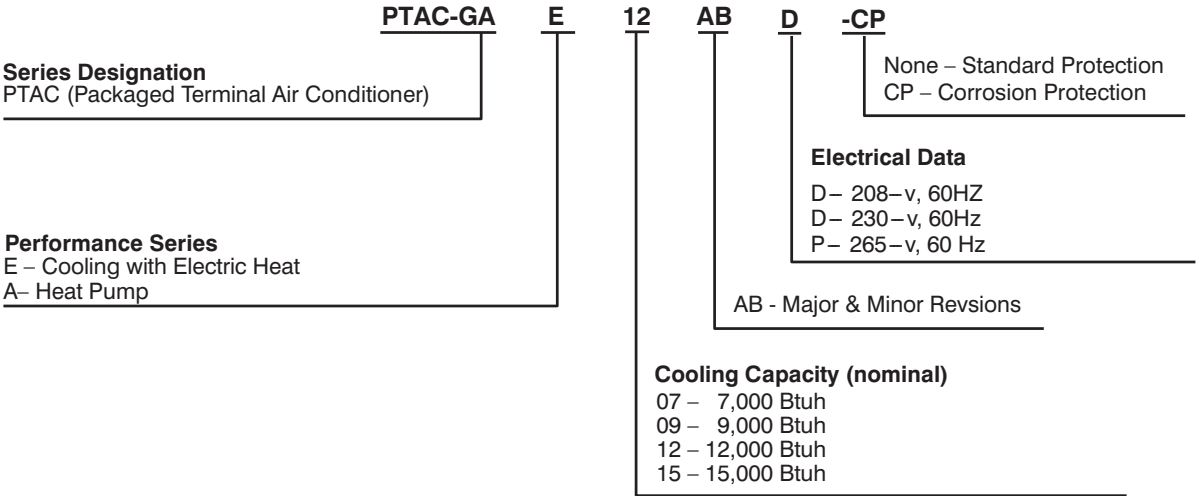


Table of Contents

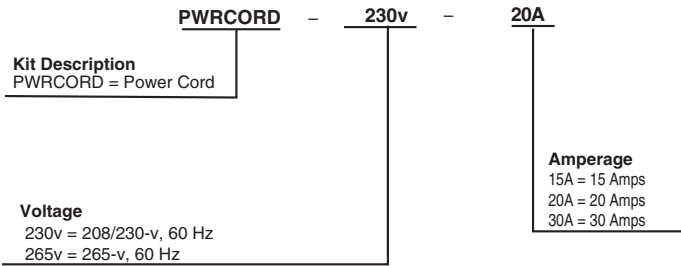
Model Number	Description	Page
PTAC-GAE07AB-D	PTAC 7,000 BTU Heat/Cool 208/230v	2-3
PTAC-GAE09AB-D	PTAC 9,000 BTU Heat/Cool 208/230v	4-5
PTAC-GAE12AB-D	PTAC 12,000 BTU Heat/Cool 208/230v	6-7
PTAC-GAE15AB-D	PTAC 15,000 BTU Heat/Cool 208/230v	8-9
PTAC-GAE07AB-P	PTAC 7,000 BTU Heat/Cool 265v	10-11
PTAC-GAE09AB-P	PTAC 9,000 BTU Heat/Cool 265v	12-13
PTAC-GAE12AB-P	PTAC 12,000 BTU Heat/Cool 265v	14-45
PTAC-GAE15AB-P	PTAC 15,000 BTU Heat/Cool 265v	16-17
PTAC-GAA07AB-D	PTAC 7,000 BTU Heat Pump 208/230v	18-19
PTAC-GAA09AB-D	PTAC 9,000 BTU Heat Pump 208/230v	20-21
PTAC-GAA12AB-D	PTAC 12,000 BTU Heat Pump 208/230v	22-23
PTAC-GAA15AB-D	PTAC 15,000 BTU Heat Pump 208/230v	24-25
PTAC-GAA07AB-P	PTAC 7,000 BTU Heat Pump 265v	26-27
PTAC-GAA09AB-P	PTAC 9,000 BTU Heat Pump 265v	28-29
PTAC-GAA12AB-P	PTAC 12,000 BTU Heat Pump 265v	30-31
PTAC-GAA15AB-P	PTAC 15,000 BTU Heat Pump 265v	32-33

Product Catalog Number-Nomenclature

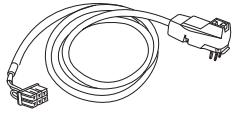


A08385

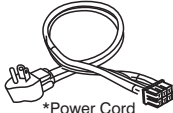
ACCESSORY POWER CORD (REQUIRED) CATALOG NUMBER



A07636



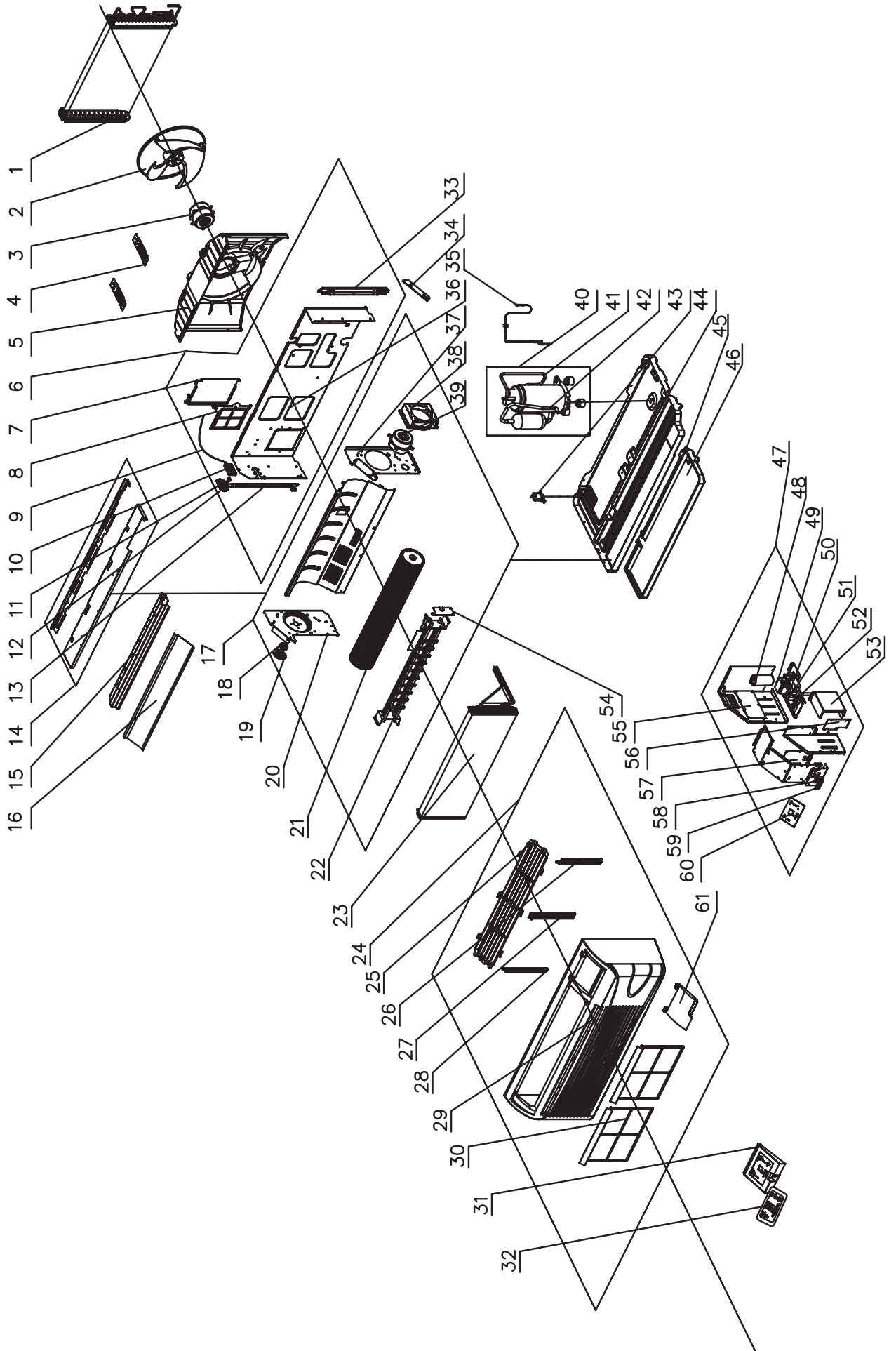
Power Cord for 208/230v



*Power Cord for 265v

A07637

**7,000 BTUH HEAT/COOL 208/230V
Model Number: PTAC-GAE07AB-D**



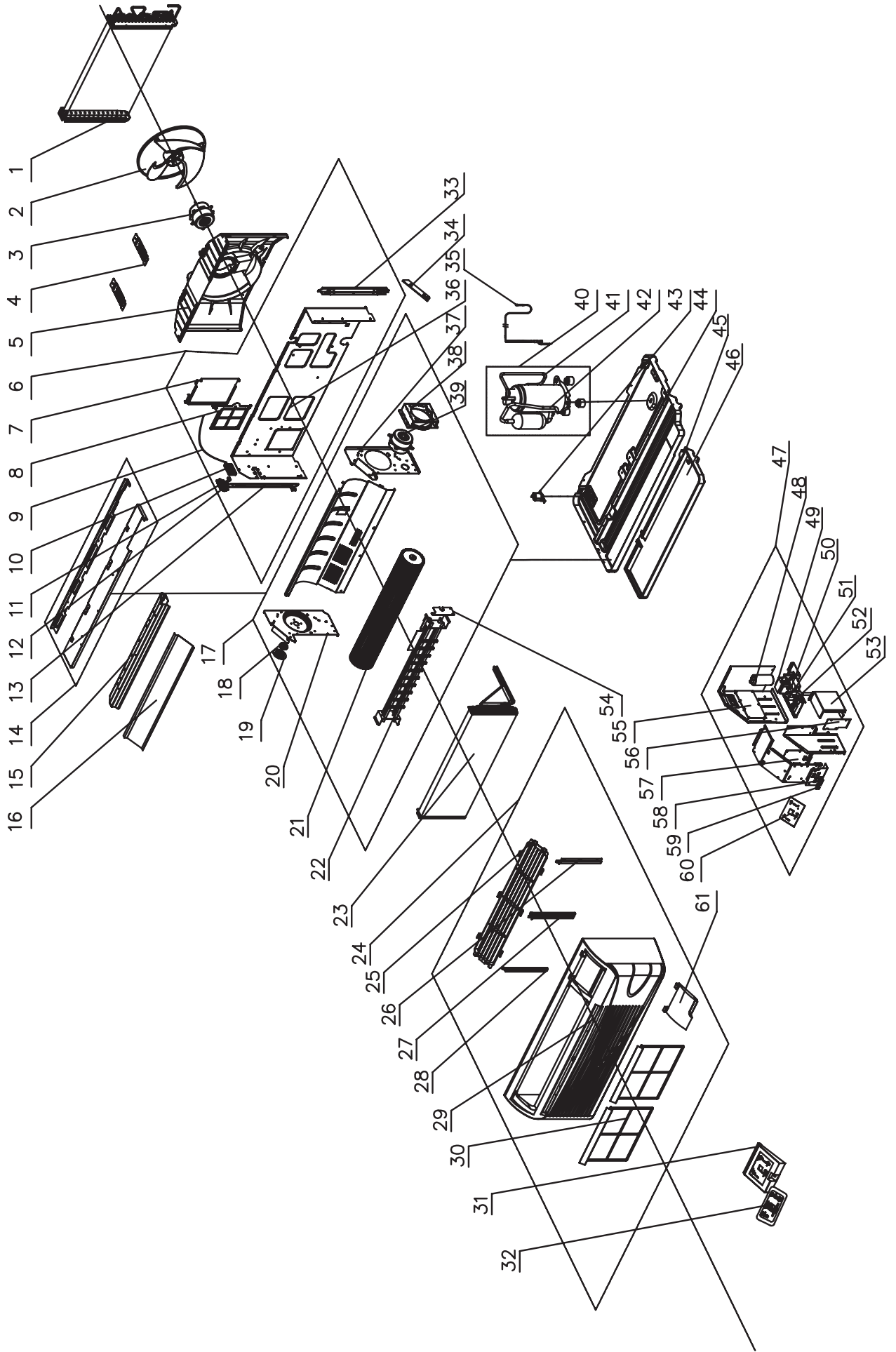
7,000 BTUH HEAT/COOL 208/230V
Model Number: PTAC-GAE07AB-D
Gree Engineering Number: GAE07AB-D3RNB1A

Ref No.	Part Number	Part Description	Qty
1	01101272	Condenser Coil	1
2	10331004	Outdoor Axial Flow Fan Blade	1
3	150110343	Outdoor Fan Motor	1
4	01381004	Shroud Support Bracket	2
5	10371004	Condenser Shoulder	1
6	01231050	Partition Wall Sub Assy	1
7	01441008	Outdoor Air Vent Door Sub-Assy	1
8	11121213	Outdoor Air Vent Filter	1
9	02121014	Outdoor Air Vent Door Cable	1
10	26231155	Lower Vent Lever Housing	1
11	26231153	Outdoor Air Vent Lever	1
12	26231154	Upper Vent Lever Housing	1
13	01701015	Outer Support Side Angle (left)	1
14	01251013	Top Cover Plate Sub-Assy	1
15	02121010P	Discharge Air Deck	1
16	01471007	Discharge Air Screen	1
17	01221012	Indoor Air Section Sub-Assy	1
18	26151139	Blower Wheel Bearing Housing	1
19	02111010	Blower Wheel Bearing	1
20	02121008P	Indoor Side Wall (left)	1
21	10351002	Indoor Blower Wheel/Cross Flow Fan	1
22	3200102602	Electric Heater Assy	1
23	01001066	Evaporator Coil	1
24	20001390	Front Panel Sub-Assy	1
25	22411153	Discharge Air Grille	1
26	26111139	Indoor Air Filter Supports (right)	1
27	26111140	Indoor Air Filter Supports (center)	1
28	26111141	Indoor Air Filter Supports (left)	1
29	20001386	Front Panel (only)	1
30	11121212	Indoor Air Filter	2
31	20161239	Control Escutcheon Plate	1
32	63061121	Membrane/Keypad	1
33	1701016	Outer Support Side Angle (right)	1
34	01361008P	Baffle Plate	1

Ref No.	Part Number	Part Description	Qty
35	3001424	Capillary Assy	1
36	01231041P	Partition Wall	1
37	02121009P	Indoor Side Wall (right)	1
38	01701014P	Motor Support Sub-Assy	1
39	1501180202	Indoor Fan Motor	1
40	101061	Compressor and fittings	1
41	3611745	Discharge Tube	1
42	3621923	Suction Tube	1
43	7100164	Condensate Drain Valve	1
44	0120102601P	Chassis Assy	1
45	12411904	Foam Condensate Tray	1
46	2121012	Heat Insulation Plate	1
47	1401254	Control Box Assy	1
48	33010045	Capacitor CBB65 15uF/450V	1
49	43110270	Transformer	1
50	33010089	Capacitor CBB611A 1uF/450V	1
51	33010025	Capacitor	1
52	42011103	Terminal Board 2-8	2
53	1411050	Junction Box	1
54	2111009	Heater Wiring Plate	1
55	30032021	Main Control Circuit Board 1	1
56	1251015	Junction Box Plate	1
57	30032022	Main Relay/Power Circuit Board 2	1
58	42010037	Connector 5EHDV-02P	1
59	42010039S	Connector 5EHDV-07P	1
60	30542007	PCB	1
61	20161238	Remote Board	1

Not Shown in Diagram			
Ref No.	Part Number	Part Description	Qty
NA	3900012123	Room Ambient Temperature Sensor	
NA	390002072	Indoor Tube Temperature Sensor	
NA	390001921	Outdoor Tube Temperature Sensor	

**9,000 BTUH HEAT/COOL 208/230V
Model Number: PTAC-GAE09AB-D**



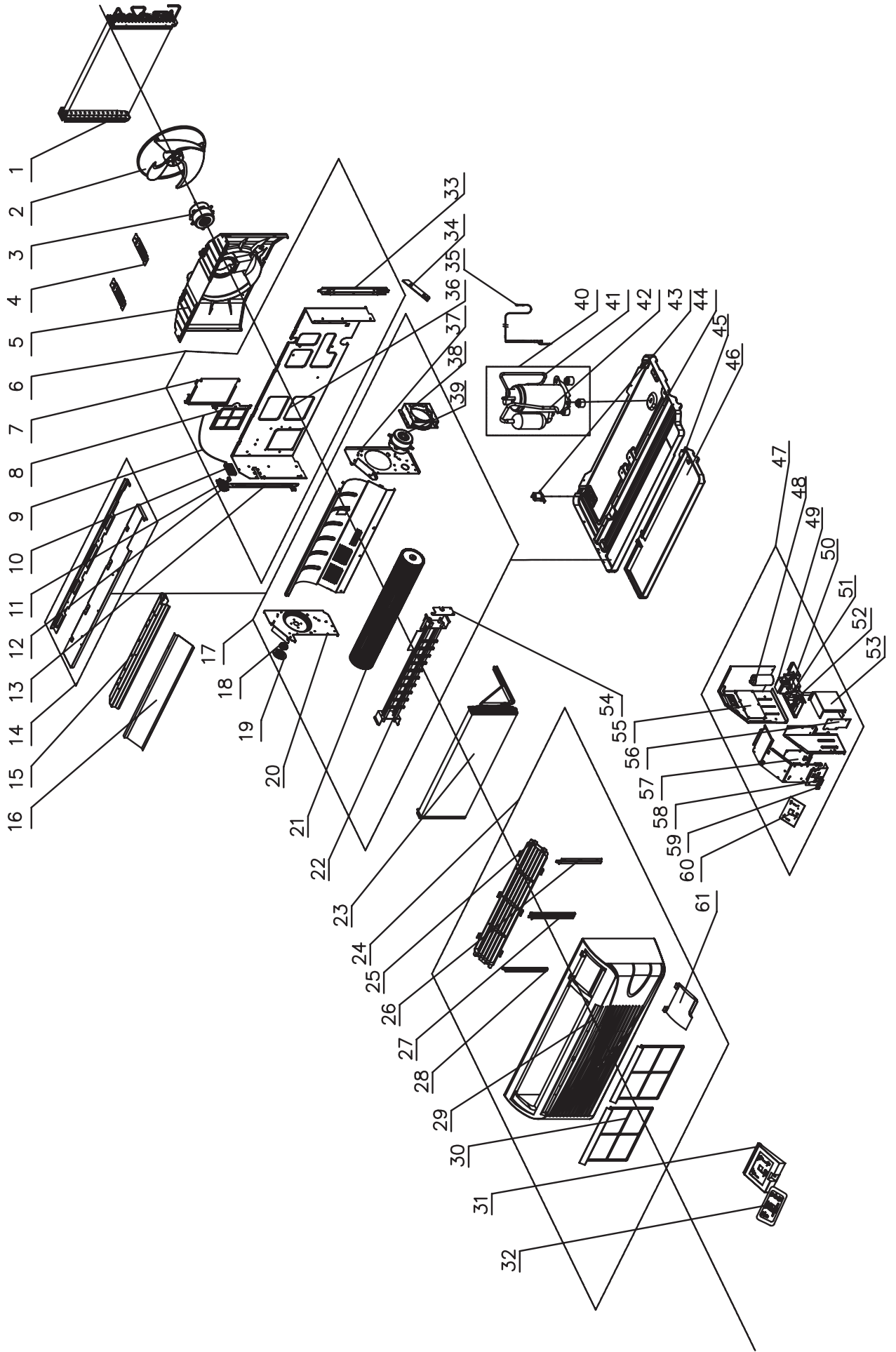
9,000 BTUH HEAT/COOL 208/230V
Model Number: PTAC-GAE09AB-D
Gre Engineering Number: GAE09AB-D3RNB1A

Ref No.	Part Number	Part Description	Qty
1	01101809	Condenser Coil	1
2	10331004	Outdoor Axial Flow Fan Blade	1
3	150110343	Outdoor Fan Motor	1
4	01381004	Shroud Support Bracket	2
5	10371004	Condenser Shroud	1
6	01231050	Partition Wall Sub Assy	1
7	01441008	Outdoor Air Vent Door Sub-Assy	1
8	11121213	Outdoor Air Vent Filter	1
9	02121014	Outdoor Air Vent Door Cable	1
10	26231155	Lower Vent Lever Housing	1
11	26231153	Outdoor Air Vent Lever	1
12	26231154	Upper Vent Lever Housing	1
13	01701015	Outer Support Side Angle (left)	1
14	01251013	Top Cover Plate Sub-Assy	1
15	02121010P	Discharge Air Deck	1
16	01471007	Discharge Air Screen	1
17	01221011	Indoor Air Section Sub-Assy	1
18	26151139	Blower Wheel Bearing Housing	1
19	02111010	Blower Wheel Bearing	1
20	02121008P	Indoor Side Wall (left)	1
21	10351002	Indoor Blower Wheel/Cross Flow Fan	1
22	3200102602	Electric Heater Assy	1
23	01001060	Evaporator Coil	1
24	20001390	Front Panel Sub-Assy	1
25	22411153	Discharge Air Grille	1
26	26111139	Indoor Air Filter Supports (right)	1
27	26111140	Indoor Air Filter Supports (center)	1
28	26111141	Indoor Air Filter Supports (left)	1
29	20001386	Front Panel (only)	1
30	11121212	Indoor Air Filter	2
31	20161239	Control Escutcheon Plate	1
32	63061121	Membrane/Keypad	1
33	01701016	Outer Support Side Angle (right)	1
34	01361008P	Baffle Plate	1

Ref No.	Part Number	Part Description	Qty
35	03001119	Capillary Assy	1
36	01231041P	Partition Wall	1
37	02121009P	Indoor Side Wall (right)	1
38	01701014P	Motor Support Sub-Assy	1
39	15011802	Indoor Fan Motor	1
40	00101049	Compressor and fittings	1
41	03611824	Discharge Tube	1
42	03621829	Suction Tube	1
43	07100164	Condensate Drain Valve	1
44	0120102603P	Chassis Sub-Assy	1
45	12411904	Foam Condensate Tray	1
46	02121012	Heat Insulation Plate	1
47	01401426	Control Box Assy	1
48	33000017	Capacitor	1
49	43110270	Transformer	1
50	33010020	Capacitor	1
51	33010025	Capacitor	1
52	42011103	Terminal Board 2-8	2
53	01411050	Junction Box	1
54	02111009	Heater Wiring Plate	1
55	30032021	Main Control Circuit Board 1	1
56	01251015	Junction Box Plate	1
57	30032022	Main Relay/Power Circuit Board 2	1
58	42010037	Connector 5EHDV-02P	1
59	42010039S	Connector 5EHDV-07P	1
60	30542007	PCB	1
61	20161238	Remote Board	1

Not Shown in Diagram			
Ref No.	Part Number	Part Description	Qty
NA	3900012123	Room Ambient Temperature Sensor	
NA	390002072	Indoor Tube Temperature Sensor	
NA	390001921	Outdoor Tube Temperature Sensor	

**12,000 BTUH HEAT/COOL 208/230V
Model Number: PTAC-GAE12AB-D**



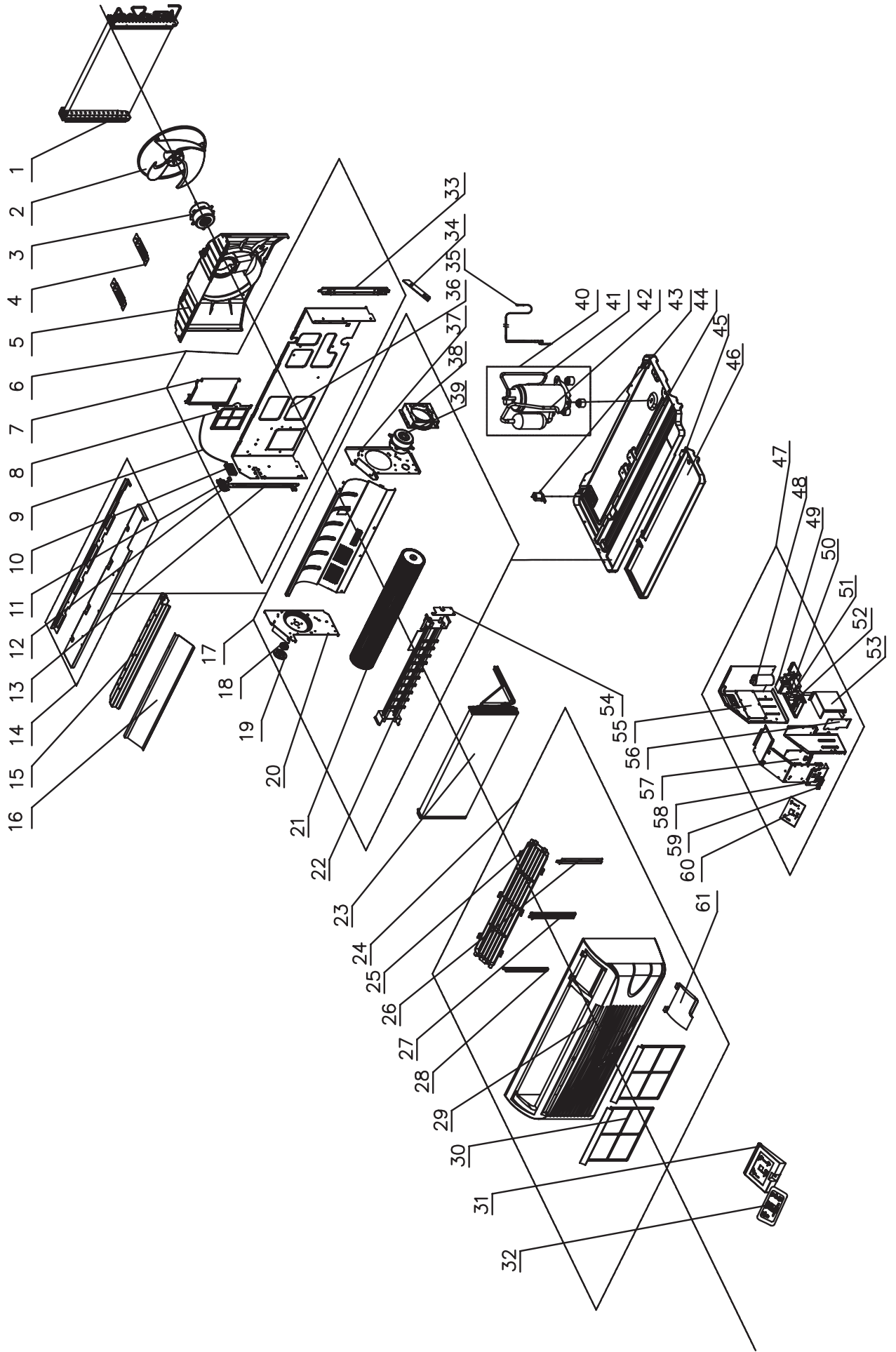
12,000 BTUH HEAT/COOL 208/230V
Model Number: PTAC-GAE12AB-D
Gree Engineering Number: GAE12AB-D3RNB1A

Ref No.	Part Number	Part Description	Qty
1	01101809	Condenser Coil	1
2	10331004	Outdoor Axial Flow Fan Blade	1
3	15011047	Outdoor Fan Motor	1
4	01381004	Shroud Support Bracket	2
5	10371004	Condenser Should	1
6	01231050	Partition Wall Sub Assy	1
7	01441008	Outdoor Air Vent Door Sub-Assy	1
8	11121213	Outdoor Air Vent Filter	1
9	02121014	Outdoor Air Vent Door Cable	1
10	26231155	Lower Vent Lever Housing	1
11	26231153	Outdoor Air Vent Lever	1
12	26231154	Upper Vent Lever Housing	1
13	01701015	Outer Support Side Angle (left)	1
14	01251013	Top Cover Plate Sub-Assy	1
15	02121010P	Discharge Air Deck	1
16	01471007	Discharge Air Screen	1
17	0144100904	Indoor Air Section Sub-Assy	1
18	26151139	Blower Wheel Bearing Housing	1
19	02111010	Blower Wheel Bearing	1
20	02121008P	Indoor Side Wall (left)	1
21	10351002	Indoor Blower Wheel/Cross Flow Fan	1
22	32001026	Electric Heater Assy	1
23	01001285	Evaporator Coil	1
24	20001390	Front Panel Sub-Assy	1
25	22411153	Discharge Air Grille	1
26	26111139	Indoor Air Filter Supports (right)	1
27	26111140	Indoor Air Filter Supports (center)	1
28	26111141	Indoor Air Filter Supports (left)	1
29	20001386	Front Panel (only)	1
30	11121212	Indoor Air Filter	2
31	20161239	Control Escutcheon Plate	1
32	63061121	Membrane/Keypad	1
33	1701016	Outer Support Side Angle (right)	1
34	01361008P	Baffle Plate	1

Ref No.	Part Number	Part Description	Qty
35	3001139	Capillary Assy	1
36	01231041P	Partition Wall	1
37	02121009P	Indoor Side Wall (right)	1
38	01701014P	Motor Support Sub-Assy	1
39	1501180203	Indoor Fan Motor	1
40	101053	Compressor and fittings	1
41	3611826	Discharge Tube	1
42	3621831	Suction Tube	1
43	7100164	Condensate Drain Valve	1
44	0120102604P	Chassis Sub-Assy	1
45	12411904	Foam Condensate Tray	1
46	2121012	Heat Insulation Plate	1
47	1401428	Control Box Assy	1
48	33000017	Capacitor	1
49	43110270	Transformer	1
50	33010026	Capacitor CBB61 2.5uF/450V	1
51	33010089	Capacitor CBB611A 1uF/450V	1
52	42011103	Terminal Board 2-8	2
53	1411050	Junction Box	1
54	2111009	Heater Wiring Plate	1
55	30032021	Main Control Circuit Board 1	1
56	1251015	Junction Box Plate	1
57	30032022	Main Relay/Power Circuit Board 2	1
58	42010037	Connector 5EHDV-02P	1
59	42010039S	Connector 5EHDV-07P	1
60	30542007	PCB	1
61	20161238	Remote Board	1

Not Shown in Diagram			
Ref No.	Part Number	Part Description	Qty
NA	3900012123	Room Ambient Temperature Sensor	
NA	390002072	Indoor Tube Temperature Sensor	
NA	390001921	Outdoor Tube Temperature Sensor	

**15,000 BTUH HEAT/COOL 208/230V
Model Number: PTAC-GAE15AB-D**



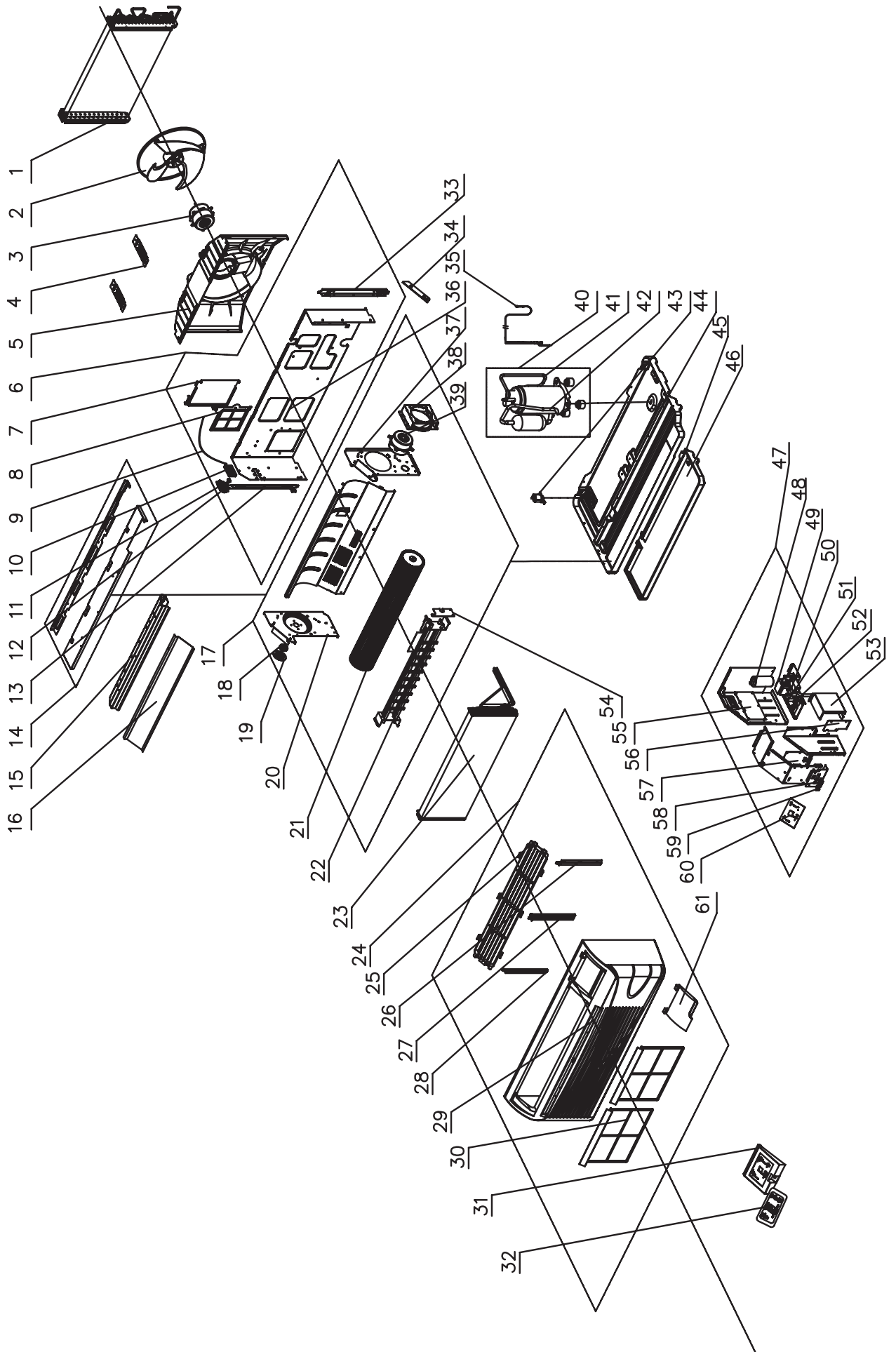
15,000 BTUH HEAT/COOL 208/230V
Model Number: PTAC-GAE15AB-D
Gree Engineering Number: GAE15AB-D3RNB1A

Ref No.	Part Number	Part Description	Qty
1	01101191	Condenser Coil	1
2	10331004	Outdoor Axial Flow Fan Blade	1
3	15011047	Outdoor Fan Motor	1
4	01381004	Shroud Support Bracket	2
5	10371004	Condenser Shoulder	1
6	01231050	Partition Wall Sub Assy	1
7	01441008	Outdoor Air Vent Door Sub-Assy	1
8	11121213	Outdoor Air Vent Filter	1
9	02121014	Outdoor Air Vent Door Cable	1
10	26231155	Lower Vent Lever Housing	1
11	26231153	Outdoor Air Vent Lever	1
12	26231154	Upper Vent Lever Housing	1
13	01701015	Outer Support Side Angle (left)	1
14	01251013	Top Cover Plate Sub-Assy	1
15	02121010P	Discharge Air Deck	1
16	01471007	Discharge Air Screen	1
17	0144100904	Indoor Air Section Sub-Assy	1
18	26151139	Blower Wheel Bearing Housing	1
19	02111010	Blower Wheel Bearing	1
20	02121008P	Indoor Side Wall (left)	1
21	10351002	Indoor Blower Wheel/Cross Flow Fan	1
22	32001026	Electric Heater Assy	1
23	01001285	Evaporator Coil	1
24	20001390	Front Panel Sub-Assy	1
25	22411153	Discharge Air Grille	1
26	26111139	Indoor Air Filter Supports (right)	1
27	26111140	Indoor Air Filter Supports (center)	1
28	26111141	Indoor Air Filter Supports (left)	1
29	20001386	Front Panel (only)	1
30	11121212	Indoor Air Filter	2
31	20161239	Control Escutcheon Plate	1
32	63061121	Membrane/Keypad	1
33	01701016	Outer Support Side Angle (right)	1
34	01361008P	Baffle Plate	1

Ref No.	Part Number	Part Description	Qty
35	03001341	Capillary Assy	1
36	01231041P	Partition Wall	1
37	02121009P	Indoor Side Wall (right)	1
38	01701014P	Motor Support Sub-Assy	1
39	1501180203	Indoor Fan Motor	1
40	00101085	Compressor and fittings	1
41	03611432	Discharge Tube	1
42	03621354	Suction Tube	1
43	07100164	Condensate Drain Valve	1
44	01201026P	Chassis Assy	1
45	12411904	Foam Condensate Tray	1
46	02121012	Heat Insulation Plate	1
47	01401873	Control Box Assy	1
48	33000045	Capacitor 40uF/450V φ50X90	1
49	43110270	Transformer	1
50	33010026	Capacitor CBB61 2.5uF/450V	1
51	33010089	Capacitor CBB611A 1uF/450V	1
52	42011103	Terminal Board 2-8	2
53	01411050	Junction Box	1
54	02111009	Heater Wiring Plate	1
55	30032021	Main Control Circuit Board 1	1
56	01251015	Junction Box Plate	1
57	30032022	Main Relay/Power Circuit Board 2	1
58	42010037	Connector 5EHDV-02P	1
59	42010039S	Connector 5EHDV-07P	1
60	30542007	PCB	1
61	20161238	Remote Board	1

Not Shown in Diagram			
Ref No.	Part Number	Part Description	Qty
NA	3900012123	Room Ambient Temperature Sensor	
NA	390002072	Indoor Tube Temperature Sensor	
NA	390001921	Outdoor Tube Temperature Sensor	

7,000 BTUH HEAT/COOL 265V
Model Number: PTAC-GAE07AB-P



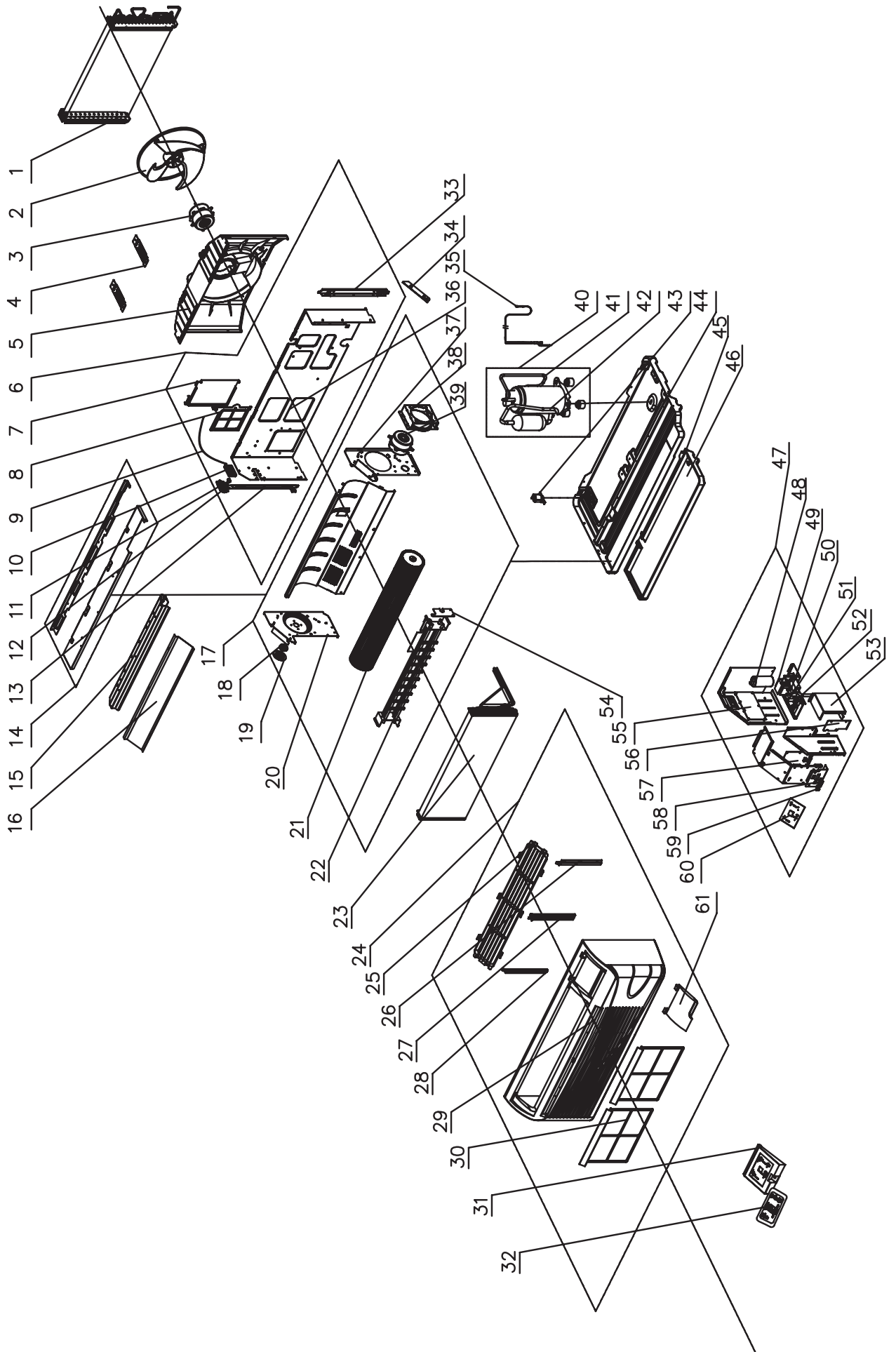
7,000 BTUH HEAT/COOL 265V
Model Number: PTAC-GAE07AB-P
Gree Engineering Number: GAE07AB-P3RNB1A

Ref No.	Part Number	Part Description	Qty
1	390002072	Temperature Sensor(20K red)	1
2	01101272	Condenser Coil	1
3	10331004	Outdoor Axial Flow Fan Blade	1
4	150110345	Outdoor Fan Motor	1
5	01381004	Shroud Support Bracket	2
6	10371004	Condenser Should	1
7	01231050	Partition Wall Sub Assy	1
8	01441008	Outdoor Air Vent Door Sub-Assy	1
9	11121213	Outdoor Air Vent Filter	1
10	02121014	Outdoor Air Vent Door Cable	1
11	26231155	Lower Vent Lever Housing	1
12	26231153	Outdoor Air Vent Lever	1
13	26231154	Upper Vent Lever Housing	1
14	none	Outer Support sub-Assy (left)	0
15	01251013	Top Cover Plate Sub-Assy	1
16	02121010P	Discharge Air Deck	1
17	01471007	Discharge Air Screen	1
18	01221013	Indoor Air Section Sub-Assy	1
19	26151139	Blower Wheel Bearing Housing	1
20	02111010	Blower Wheel Bearing	1
21	02121008P	Indoor Side Wall (left)	1
22	10351002	Indoor Blower Wheel/Cross Flow Fan	1
23	3200102603	Electric Heater Assy	1
24	390001921	Coil Temperature Sensor (20K black)	1
25	01001066	Evaporator Coil	1
26	2000139001	Front Panel Sub-Assy	1
27	22411153	Discharge Air Grille	1
28	26111139	Indoor Air Filter Supports (right)	1
29	26111140	Indoor Air Filter Supports (center)	1
30	26111141	Indoor Air Filter Supports (left)	1
31	20001386	Front Panel (only)	1
32	11121212	Indoor Air Filter	2
33	20161239	Control Escutcheon Plate	1
34	63061121	Membrane/Keypad	1
35	none	Outer Support sub-Assy (right)	0

Ref No.	Part Number	Part Description	Qty
36	01361008P	Baffle Plate	1
37	03001424	Capillary Assy	1
38	01231041P	Partition Wall	1
39	02121009P	Indoor Side Wall (right)	1
40	01701014P	Motor Support Sub-Assy	1
41	1501180204	Indoor Fan Motor	1
42	3900012123	Temperature Sensor (15K black)	1
43	00101060	Compressor and fittings	1
44	03611745	Discharge Tube	1
45	03621923	Suction Tube	1
46	07100164	Condensate Drain Valve	1
47	0120102601P	Chassis Assy	1
48	12411904	Foam Condensate Tray	1
49	02121012	Heat Insulation Plate	1
50	0140125401	Control Box Assy	1
51	33010045	Capacitor CBB65 15uF/450V	1
52	43110269	Transformer	1
53	33010089	Capacitor CBB611A 1uF/450V	1
54	33010020	Capacitor	1
55	42011103	Terminal Board 2-8	2
56	01411050	Junction Box	1
57	02111009	Heater Wiring Plate	1
58	30032021	Main Control Circuit Board 1	1
59	01251015	Junction Box Plate	1
60	30032023	Main Relay/Power Circuit Board 2	1
61	42010039S	Connector 5EHDV-07P	1
62	42010037	Connector 5EHDV-02P	1
63	30542007	PCB	1
64	20161238	Remote Board	1

Not Shown in Diagram			
Ref No.	Part Number	Part Description	Qty
NA	3900012123	Room Ambient Temperature Sensor	
NA	390002072	Indoor Tube Temperature Sensor	
NA	390001921	Outdoor Tube Temperature Sensor	

9,000 BTUH HEAT/COOL 265V
Model Number: PTAC-GAE09AB-P



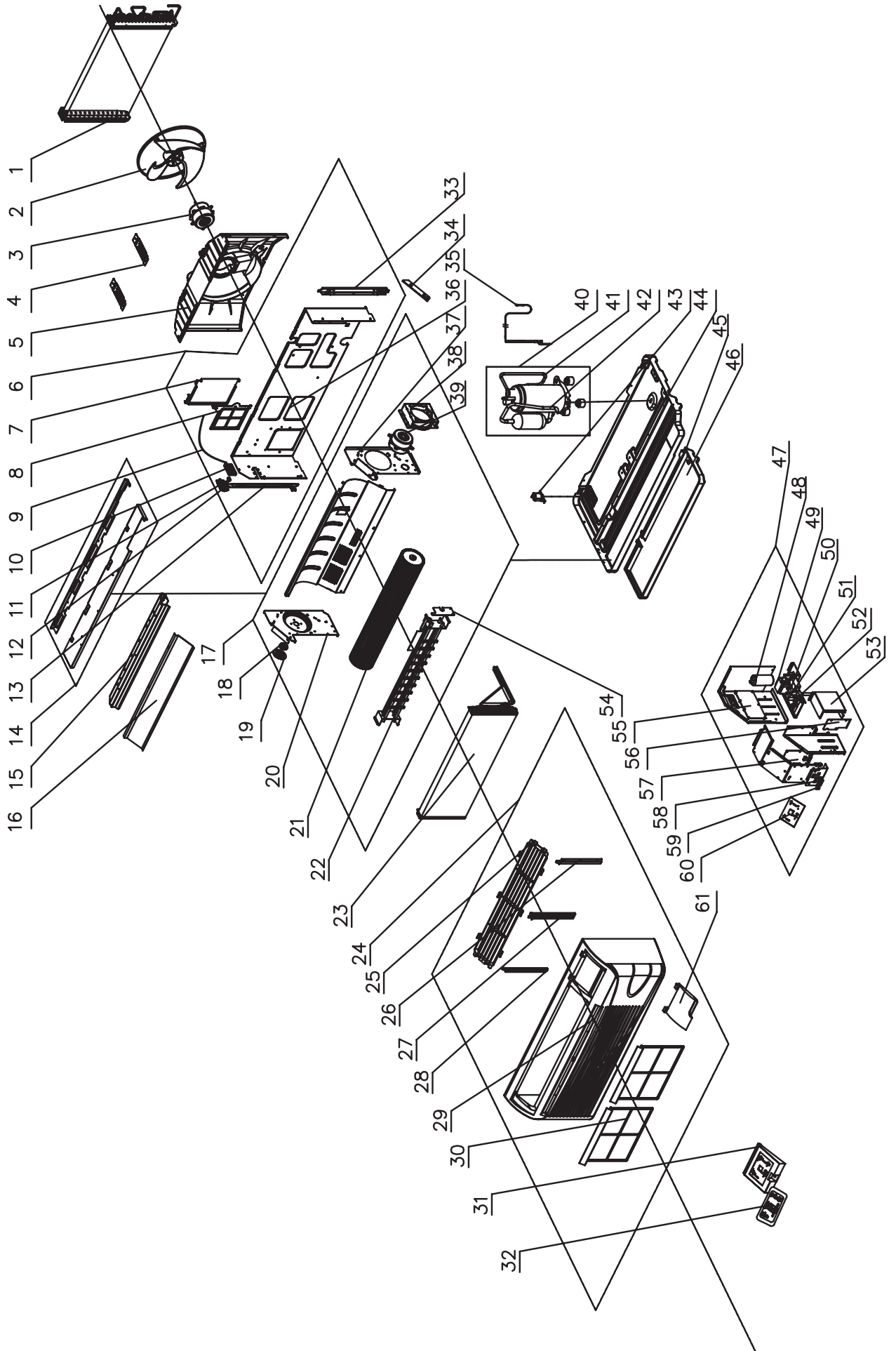
9,000 BTUH HEAT/COOL 265V
Model Number: PTAC-GAE09AB-P
Gree Engineering Number: GAE09AB-P3RNB1A

Ref No.	Part Number	Part Description	Qty
1	01101809	Condenser Coil	1
2	10331004	Outdoor Axial Flow Fan Blade	1
3	150110345	Outdoor Fan Motor	1
4	01381004	Shroud Support Bracket	2
5	10371004	Condenser Should	1
6	01231050	Partition Wall Sub Assy	1
7	01441008	Outdoor Air Vent Door Sub-Assy	1
8	11121213	Outdoor Air Vent Filter	1
9	02121014	Outdoor Air Vent Door Cable	1
10	26231155	Lower Vent Lever Housing	1
11	26231153	Outdoor Air Vent Lever	1
12	26231154	Upper Vent Lever Housing	1
13	01701015	Outer Support Side Angle (left)	1
14	01251013	Top Cover Plate Sub-Assy	1
15	02121010P	Discharge Air Deck	1
16	01471007	Discharge Air Screen	1
17	0122101101	Indoor Air Section Sub-Assy	1
18	26151139	Blower Wheel Bearing Housing	1
19	02111010	Blower Wheel Bearing	1
20	02121008P	Indoor Side Wall (left)	1
21	10351002	Indoor Blower Wheel/Cross Flow Fan	1
22	3200102603	Electric Heater Assy	1
23	01001043	Evaporator Coil	1
24	20001390	Front Panel Sub-Assy	1
25	22411153	Discharge Air Grille	1
26	26111139	Indoor Air Filter Supports (right)	1
27	26111140	Indoor Air Filter Supports (center)	1
28	26111141	Indoor Air Filter Supports (left)	1
29	20001386	Front Panel (only)	1
30	11121212	Indoor Air Filter	2
31	20161239	Control Escutcheon Plate	1
32	63061121	Membrane/Keypad	1
33	01701016	Outer Support Side Angle (right)	1
34	01361008P	Baffle Plate	1

Ref No.	Part Number	Part Description	Qty
35	03001079	Capillary Assy	1
36	01231041P	Partition Wall	1
37	02121009P	Indoor Side Wall (right)	1
38	01701014P	Motor Support Sub-Assy	1
39	1501180201	Indoor Fan Motor	1
40	00101055	Compressor and fittings	1
41	03611825	Discharge Tube	1
42	03621830	Suction Tube	1
43	07100164	Condensate Drain Valve	1
44	0120102601P	Chassis Assy	1
45	12411904	Foam Condensate Tray	1
46	02121012	Heat Insulation Plate	1
47	01401427	Control Box Assy	1
48	33010045	Capacitor CBB65 15uF/450V	1
49	43110269	Transformer	1
50	33010020	Capacitor	1
51	33010020	Capacitor	1
52	42011103	Terminal Board 2-8	2
53	01411050	Junction Box	1
54	02111009	Heater Wiring Plate	1
55	30032021	Main Control Circuit Board 1	1
56	01251015	Junction Box Plate	1
57	30032023	Main Relay/Power Circuit Board 2	1
58	42010037	Connector 5EHDV-02P	1
59	42010039S	Connector 5EHDV-07P	1
60	30542007	PCB	1
61	20161238	Remote Board	1

Not Shown in Diagram			
Ref No.	Part Number	Part Description	Qty
NA	3900012123	Room Ambient Temperature Sensor	
NA	390002072	Indoor Tube Temperature Sensor	
NA	390001921	Outdoor Tube Temperature Sensor	

12,000 BTUH HEAT/COOL 265V
Model Number: PTAC-GAE12AB-P



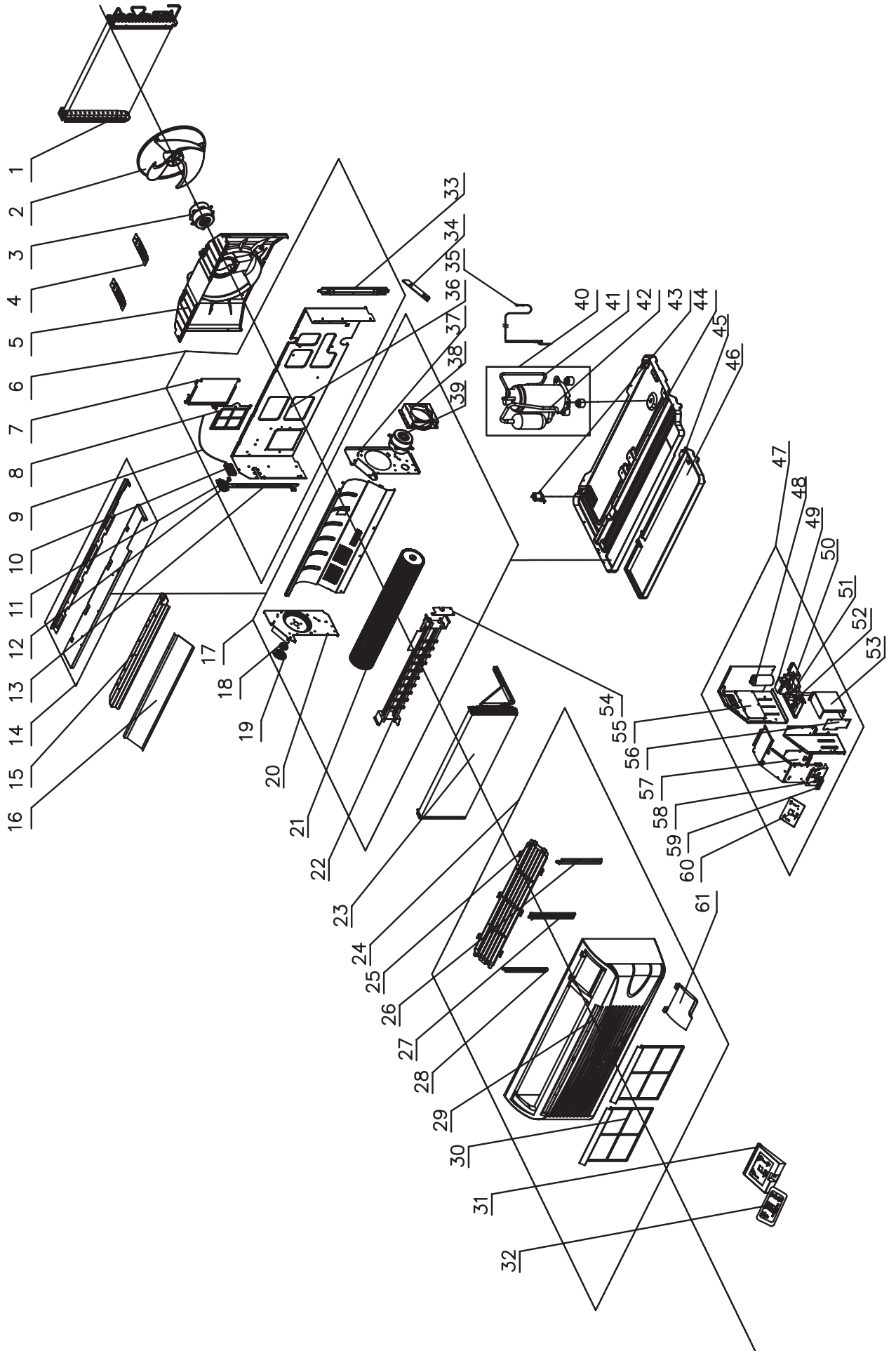
12,000 BTUH HEAT/COOL 265V
Model Number: PTAC-GAE12AB-P
Gree Engineering Number: GAE12AB-P3RNB1A

Ref No.	Part Number	Part Description	Qty
1	01101809	Condenser Coil	1
2	10331004	Outdoor Axial Flow Fan Blade	1
3	150110342	Outdoor Fan Motor	1
4	01381004	Shroud Support Bracket	2
5	10371004	Condenser Shoulder	1
6	01231050	Partition Wall Sub Assy	1
7	01441008	Outdoor Air Vent Door Sub-Assy	1
8	11121213	Outdoor Air Vent Filter	1
9	02121014	Outdoor Air Vent Door Cable	1
10	26231155	Lower Vent Lever Housing	1
11	26231153	Outdoor Air Vent Lever	1
12	26231154	Upper Vent Lever Housing	1
13	01701015	Outer Support Side Angle (left)	1
14	01251013	Top Cover Plate Sub-Assy	1
15	02121010P	Discharge Air Deck	1
16	01471007	Discharge Air Screen	1
17	0144100905	Indoor Air Section Sub-Assy	1
18	26151139	Blower Wheel Bearing Housing	1
19	02111010	Blower Wheel Bearing	1
20	02121008P	Indoor Side Wall (left)	1
21	10351002	Indoor Blower Wheel/Cross Flow Fan	1
22	3200102601	Electric Heater Assy	1
23	01001285	Evaporator Coil	1
24	20001390	Front Panel Sub-Assy	1
25	22411153	Discharge Air Grille	1
26	26111139	Indoor Air Filter Supports (right)	1
27	26111140	Indoor Air Filter Supports (center)	1
28	26111141	Indoor Air Filter Supports (left)	1
29	20001386	Front Panel (only)	1
30	11121212	Indoor Air Filter	2
31	20161239	Control Escutcheon Plate	1
32	63061121	Membrane/Keypad	1
33	01701016	Outer Support Side Angle (right)	1
34	01361008P	Baffle Plate	1

Ref No.	Part Number	Part Description	Qty
35	03001139	Capillary Assy	1
36	01231041P	Partition Wall	1
37	02121009P	Indoor Side Wall (right)	1
38	01701014P	Motor Support Sub-Assy	1
39	1501180205	Indoor Fan Motor	1
40	00101054	Compressor and fittings	1
41	03611826	Discharge Tube	1
42	03621831	Suction Tube	1
43	07100164	Condensate Drain Valve	1
44	0120102604P	Chassis Sub-Assy	1
45	12411904	Foam Condensate Tray	1
46	02121012	Heat Insulation Plate	1
47	01401429	Control Box Assy	1
48	33000017	Capacitor	1
49	43110269	Transformer	1
50	33010026	Capacitor CBB61 2.5uF/450V	1
51	33010020	Capacitor	1
52	42011103	Terminal Board 2-8	2
53	01411050	Junction Box	1
54	02111009	Heater Wiring Plate	1
55	30032021	Main Control Circuit Board 1	1
56	01251015	Junction Box Plate	1
57	30032023	Main Relay/Power Circuit Board 2	1
58	42010037	Connector 5EHDV-02P	1
59	42010039S	Connector 5EHDV-07P	1
60	30542007	PCB	1
61	20161238	Remote Board	1

Not Shown in Diagram			
Ref No.	Part Number	Part Description	Qty
NA	3900012123	Room Ambient Temperature Sensor	
NA	390002072	Indoor Tube Temperature Sensor	
NA	390001921	Outdoor Tube Temperature Sensor	

15,000 BTUH HEAT/COOL 265V
Model Number: PTAC-GAE15AB-P



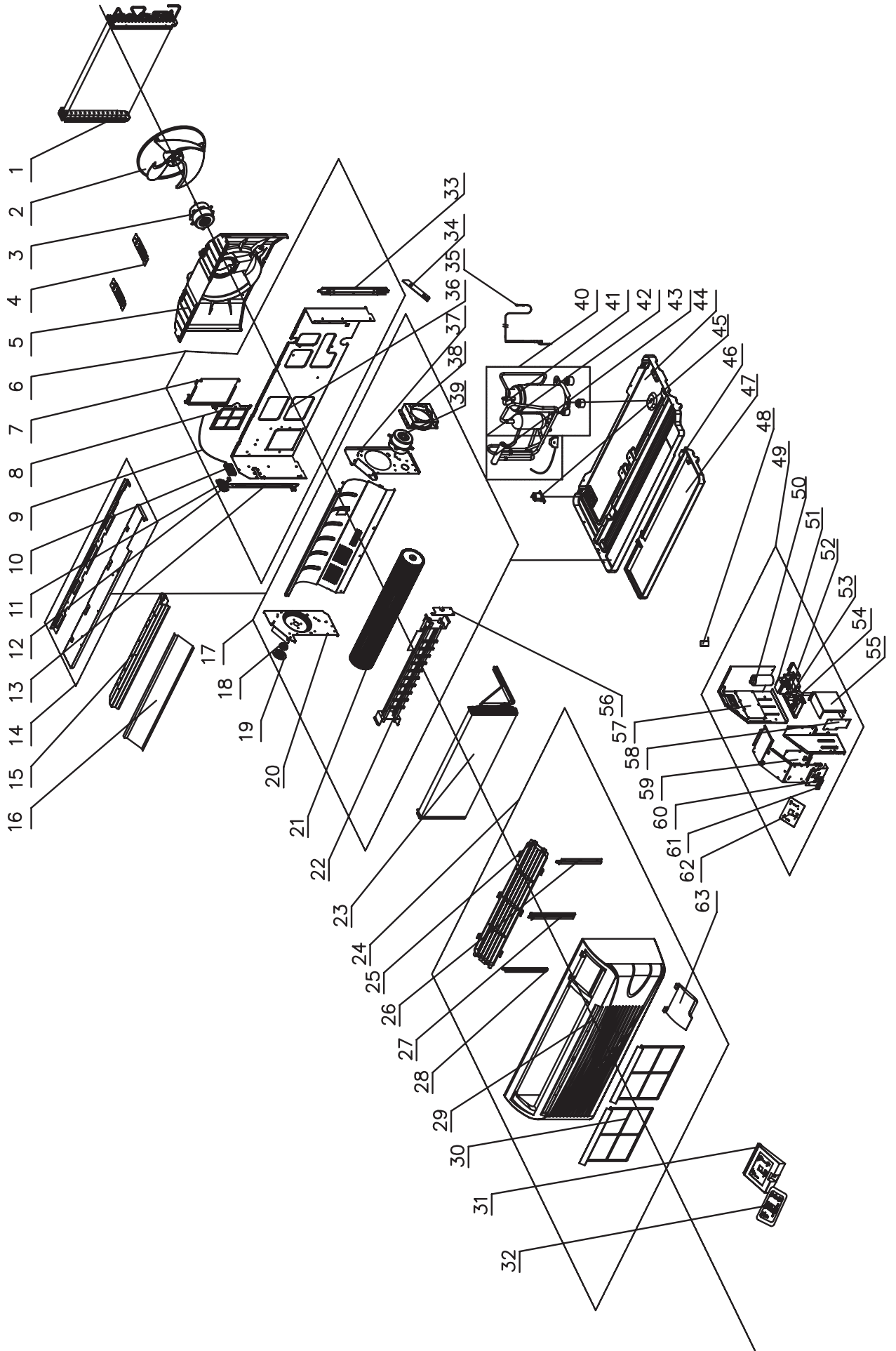
15,000 BTUH HEAT/COOL 265V
Model Number: PTAC-GAE15AB-P
Gree Engineering Number: GAE15AB-P3RNB1A

Ref No.	Part Number	Part Description	Qty
1	01101191	Condenser Coil	1
2	10331004	Outdoor Axial Flow Fan Blade	1
3	150110342	Outdoor Fan Motor	1
4	01381004	Shroud Support Bracket	2
5	10371004	Condenser Should	1
6	01231050	Partition Wall Sub Assy	1
7	01441008	Outdoor Air Vent Door Sub-Assy	1
8	11121213	Outdoor Air Vent Filter	1
9	02121014	Outdoor Air Vent Door Cable	1
10	26231155	Lower Vent Lever Housing	1
11	26231153	Outdoor Air Vent Lever	1
12	26231154	Upper Vent Lever Housing	1
13	01701015	Outer Support Side Angle (left)	1
14	01251013	Top Cover Plate Sub-Assy	1
15	02121010P	Discharge Air Deck	1
16	01471007	Discharge Air Screen	1
17	0144100905	Indoor Air Section Sub-Assy	1
18	26151139	Blower Wheel Bearing Housing	1
19	02111010	Blower Wheel Bearing	1
20	02121008P	Indoor Side Wall (left)	1
21	10351002	Indoor Blower Wheel/Cross Flow Fan	1
22	3200102601	Electric Heater Assy	1
23	01001285	Evaporator Coil	1
24	20001390	Front Panel Sub-Assy	1
25	22411153	Discharge Air Grille	1
26	26111139	Indoor Air Filter Supports (right)	1
27	26111140	Indoor Air Filter Supports (center)	1
28	26111141	Indoor Air Filter Supports (left)	1
29	20001386	Front Panel (only)	1
30	11121212	Indoor Air Filter	2
31	20161239	Control Escutcheon Plate	1
32	63061121	Membrane/Keypad	1
33	01701016	Outer Support Side Angle (right)	1
34	01361008P	Baffle Plate	1

Ref No.	Part Number	Part Description	Qty
35	03001341	Capillary Assy	1
36	01231041P	Partition Wall	1
37	02121009P	Indoor Side Wall (right)	1
38	01701014P	Motor Support Sub-Assy	1
39	1501180205	Indoor Fan Motor	1
40	00101091	Compressor and fittings	1
41	03611432	Discharge Tube	1
42	03621354	Suction Tube	1
43	07100164	Condensate Drain Valve	1
44	01201026P	Chassis Assy	1
45	12411904	Foam Condensate Tray	1
46	02121012	Heat Insulation Plate	1
47	01401913	Control Box Assy	1
48	33000017	Capacitor	1
49	43110269	Transformer	1
50	33010026	Capacitor CBB61 2.5uF/450V	1
51	33010020	Capacitor	1
52	42011103	Terminal Board 2-8	2
53	01411050	Junction Box	1
54	02111009	Heater Wiring Plate	1
55	30032021	Main Control Circuit Board 1	1
56	01251015	Junction Box Plate	1
57	30032023	Main Relay/Power Circuit Board 2	1
58	42010037	Connector 5EHDV-02P	1
59	42010039S	Connector 5EHDV-07P	1
60	30542007	PCB	1
61	20161238	Remote Board	1

Not Shown in Diagram			
Ref No.	Part Number	Part Description	Qty
NA	3900012123	Room Ambient Temperature Sensor	
NA	390002072	Indoor Tube Temperature Sensor	
NA	390001921	Outdoor Tube Temperature Sensor	

7,000 BTUH HEAT PUMP 208/230V
Model Number: PTAC-GAA07AB-D



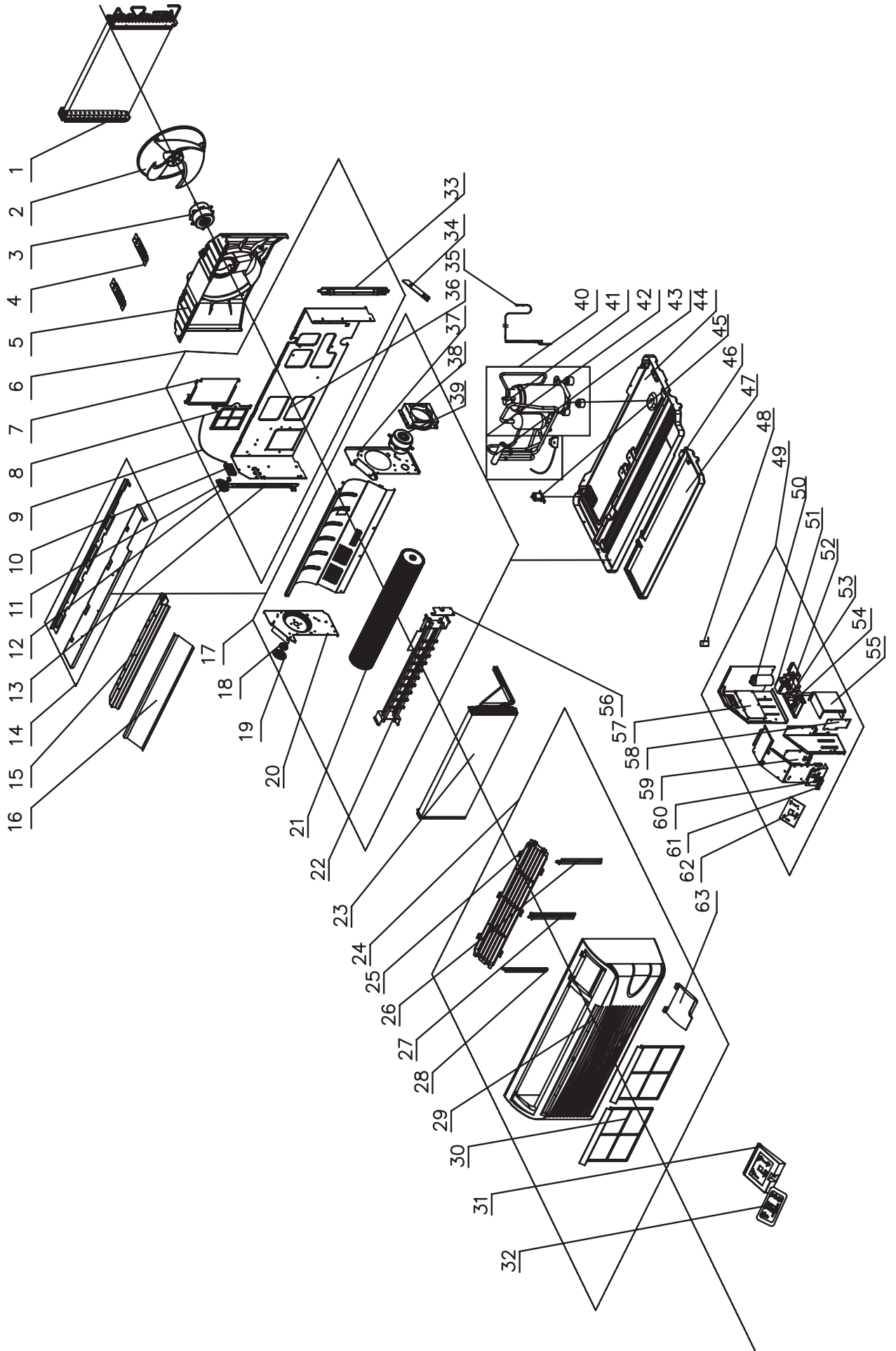
7,000 BTUH HEAT PUMP 208/230V
Model Number: PTAC-GAA07AB-D
Gree Engineering Number: GAA07AB-D3RNB1A

Ref No.	Part Number	Part Description	Qty
1	01101272	Condenser Coil	1
2	10331004	Outdoor Axial Flow Fan Blade	1
3	150110343	Outdoor Fan Motor	1
4	01381004	Shroud Support Bracket	1
5	10371004	Condenser Should	1
6	01231050	Partition Wall Sub Assy	1
7	01441008	Outdoor Air Vent Door Sub-Assy	1
8	11121213	Outdoor Air Vent Filter	1
9	02121014	Outdoor Air Vent Door Cable	1
10	26231155	Lower Vent Lever Housing	1
11	26231153	Outdoor Air Vent Lever	1
12	26231154	Upper Vent Lever Housing	1
13	01701015	Outer Support Side Angle (left)	1
14	01251013	Top Cover Plate Sub-Assy	1
15	02121010P	Discharge Air Deck	1
16	01471007	Discharge Air Screen	1
17	01221012	Indoor Air Section Sub-Assy	1
18	26151139	Blower Wheel Bearing Housing	1
19	02111010	Blower Wheel Bearing	1
20	02121008P	Indoor Side Wall (left)	1
21	10351002	Indoor Blower Wheel/Cross Flow Fan	1
22	3200102602	Electric Heater Assy	1
23	01001066	Evaporator Coil	1
24	20001390	Front Panel Sub-Assy	1
25	22411153	Discharge Air Grille	1
26	26111139	Indoor Air Filter Supports (right)	1
27	26111140	Indoor Air Filter Supports (center)	1
28	26111141	Indoor Air Filter Supports (left)	1
29	20001386	Front Panel (only)	1
30	11121212	Indoor Air Filter	2
31	20161239	Control Escutcheon Plate	1
32	63061121	Membrane/Keypad	1
33	01701016	Outer Support Side Angle (right)	1
34	03001424	Capillary Assy	1
35	01231041P	Partition Wall	1

Ref No.	Part Number	Part Description	Qty
36	02121009P	Indoor Side Wall (right)	1
37	01701014P	Indoor Fan Motor Support	1
38	1501180202	Indoor Fan Motor	1
39	00101061	Compressor and fittings	1
40	none	Overload Protector	0
41	03021109	4-way Valve	1
42	430004022	4-Way Valve	1
43	0120102601P	Chassis Assy	1
44	07100164	Condensate Drain Valve	1
45	12411904	Foam Condensate Tray	1
46	02121012	Heat Insulation Plate	1
47	4300040042	4-way Valve Fittings	1
48	01401255	Control Box Assy	1
49	33010045	Capacitor CBB65 15uF/450V	1
50	43110270	Transformer	1
51	33010089	Capacitor CBB611A 1uF/450V	1
52	33010025	Capacitor	1
53	42011103	Terminal Board 2-8	2
54	01411050	Junction Box	1
55	02111009	Heater Wiring block board	1
56	30032020	Main Control Circuit Board 1	1
57	01251015	Junction Box Plate	1
58	30032022	Main Relay/Power Circuit Board 2	1
59	42010037	Connector 5EHDV-02P	1
60	42010039S	Connector 5EHDV-07P	1
61	30542007	PCB	1
62	01361008P	Baffle Plate	1
63	20161238	Remote Board	1

Not Shown in Diagram			
Ref No.	Part Number	Part Description	Qty
NA	3900012123	Room Ambient Temperature Sensor	
NA	390002072	Indoor Tube Temperature Sensor	
NA	390001921	Outdoor Tube Temperature Sensor	

9,000 BTUH HEAT PUMP 208/230V
Model Number: PTAC-GAA09AB-D



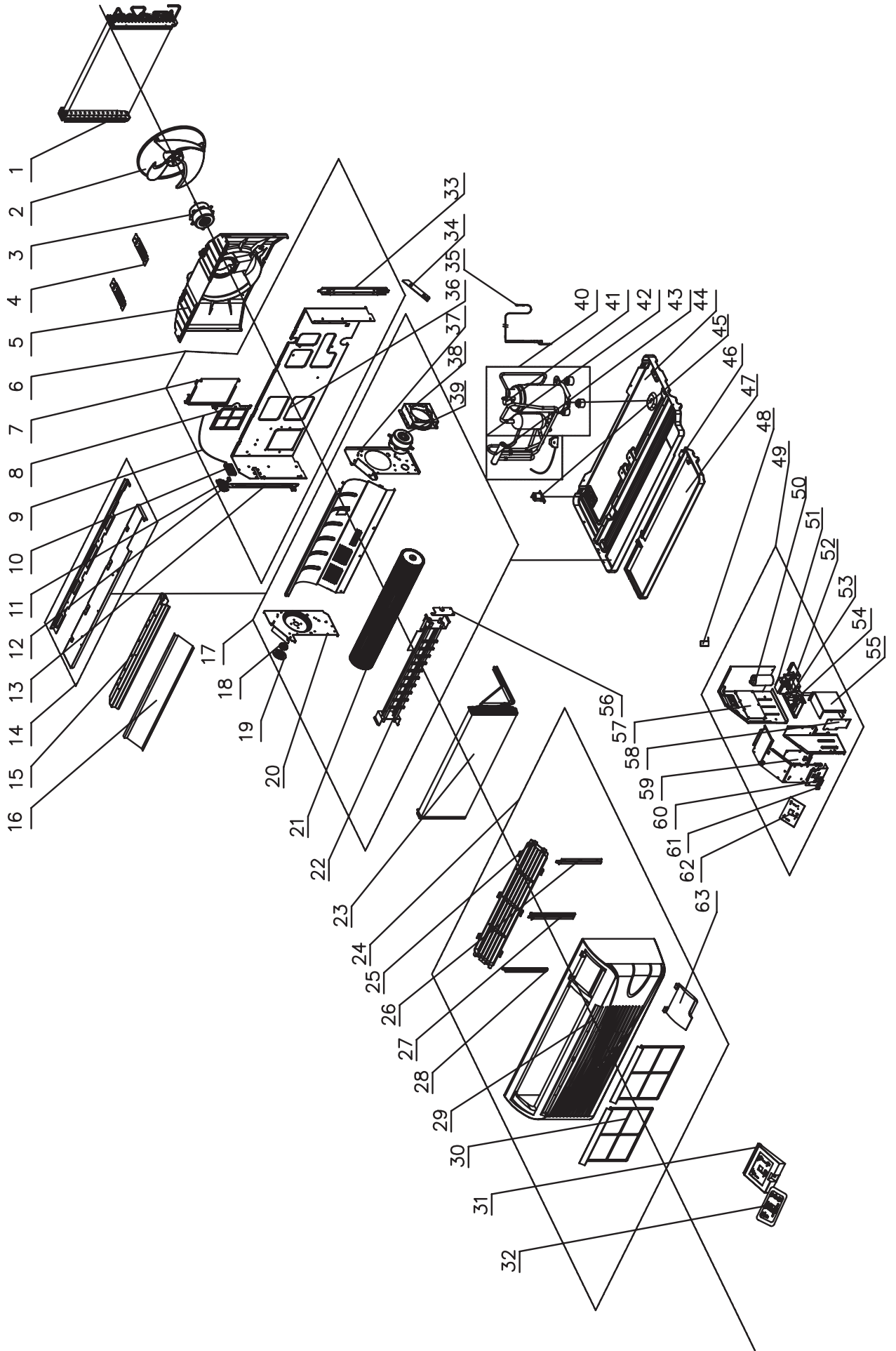
9,000 BTUH HEAT PUMP 208/230V
Model Number: PTAC-GAA09AB-D
Gree Engineering Number: GAA09AB-D3RNB1A

Ref No.	Part Number	Part Description	Qty
1	01101809	Condenser Coil	1
2	10331004	Outdoor Axial Flow Fan Blade	1
3	150110343	Outdoor Fan Motor	1
4	01381004	Shroud Support Bracket	1
5	10371004	Condenser Should	1
6	01231050	Partition Wall Sub Assy	2
7	01441008	Outdoor Air Vent Door Sub-Assy	1
8	11121213	Outdoor Air Vent Filter	1
9	02121014	Outdoor Air Vent Door Cable	1
10	26231155	Lower Vent Lever Housing	1
11	26231153	Outdoor Air Vent Lever	1
12	26231154	Upper Vent Lever Housing	1
13	01701015	Outer Support Side Angle (left)	1
14	01251013	Top Cover Plate Sub-Assy	1
15	02121010P	Discharge Air Deck	1
16	01471007	Discharge Air Screen	1
17	01221011	Indoor Air Section Sub-Assy	1
18	26151139	Blower Wheel Bearing Housing	1
19	02111010	Blower Wheel Bearing	1
20	02121008P	Indoor Side Wall (left)	1
21	10351002	Indoor Blower Wheel/Cross Flow Fan	1
22	3200102602	Electric Heater Assy	1
23	01001284	Evaporator Coil	1
24	20001390	Front Panel Sub-Assy	1
25	22411153	Discharge Air Grille	1
26	26111139	Indoor Air Filter Supports (right)	1
27	26111140	Indoor Air Filter Supports (center)	1
28	26111141	Indoor Air Filter Supports (left)	1
29	20001386	Front Panel (only)	1
30	11121212	Indoor Air Filter	1
31	20161239	Control Escutcheon Plate	1
32	63061121	Membrane/Keypad	2
33	01701016	Outer Support Side Angle (right)	1
34	03001824	Capillary Assy	1
35	01231041P	Partition Wall	1

Ref No.	Part Number	Part Description	Qty
36	02121009P	Indoor Side Wall (right)	1
37	01701014P	Indoor Fan Motor Support	1
38	15011802	Indoor Fan Motor	1
39	00101051	Compressor and fittings	1
40	none	Overload Protector	1
41	03021505	4-way Valve	0
42	430004022	4-Way Valve	1
43	0120102604P	Chassis Sub-Assy	1
44	07100164	Condensate Drain Valve	1
45	12411904	Foam Condensate Tray	1
46	02121012	Heat Insulation Plate	1
47	4300040042	4-way Valve Fittings	1
48	01401333	Control Box Assy	1
49	33000017	Capacitor	1
50	43110270	Transformer	1
51	33010020	Capacitor	1
52	33010025	Capacitor	1
53	42011103	Terminal Board 2-8	1
54	01411050	Junction Box	2
55	02111009	Heater Wiring Plate	1
56	30032020	Main Control Circuit Board 1	1
57	01251015	Junction Box Plate	1
58	30032022	Main Relay/Power Circuit Board 2	1
59	42010037	Connector 5EHDV-02P	1
60	42010039S	Connector 5EHDV-07P	1
61	30542007	PCB	1
62	01361008P	Baffle Plate	1
63	20161238	Remote Board	1

Not Shown in Diagram			
Ref No.	Part Number	Part Description	Qty
NA	3900012123	Room Ambient Temperature Sensor	
NA	390002072	Indoor Tube Temperature Sensor	
NA	390001921	Outdoor Tube Temperature Sensor	

12,000 BTUH HEAT PUMP 208/230V
Model Number: PTAC-GAA12AB-D



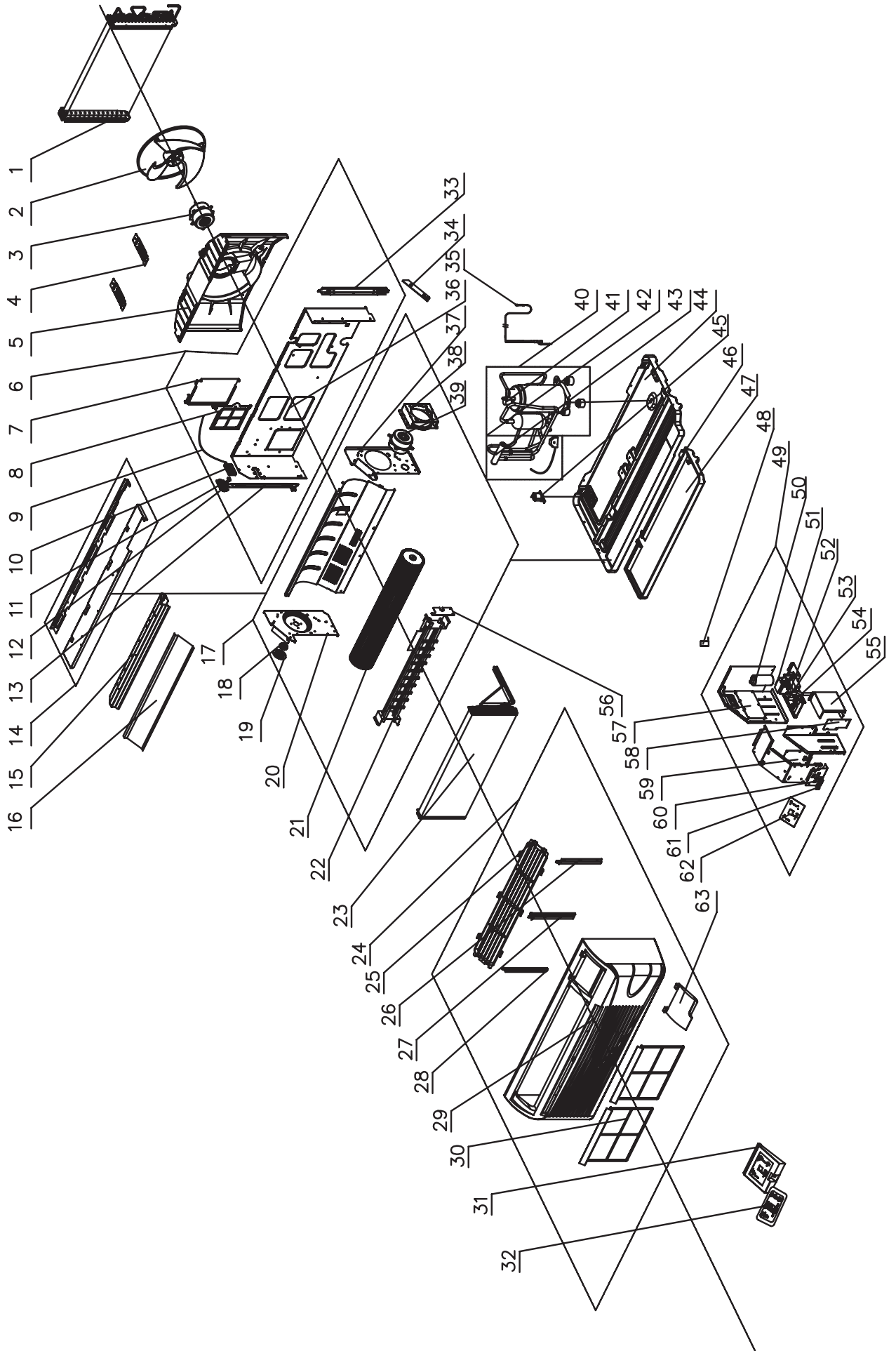
12,000 BTUH HEAT/ PUMP 208/230V
Model Number: PTAC-GAA12AB-D
Gree Engineering Number: GAA12AB-D3RNB1A

Ref No.	Part Number	Part Description	Qty
1	01101809	Condenser Coil	1
2	10331004	Outdoor Axial Flow Fan Blade	1
3	15011047	Outdoor Fan Motor	1
4	01381004	Shroud Support Bracket	2
5	10371004	Condenser Should	1
6	01231050	Partition Wall Sub Assy	1
7	01441008	Outdoor Air Vent Door Sub-Assy	1
8	11121213	Outdoor Air Vent Filter	1
9	02121014	Outdoor Air Vent Door Cable	1
10	26231155	Lower Vent Lever Housing	1
11	26231153	Outdoor Air Vent Lever	1
12	26231154	Upper Vent Lever Housing	1
13	01701015	Outer Support Side Angle (left)	1
14	01251013	Top Cover Plate Sub-Assy	1
15	02121010P	Discharge Air Deck	1
16	01471007	Discharge Air Screen	1
17	0144100904	Indoor Air Section Sub-Assy	1
18	26151139	Blower Wheel Bearing Housing	1
19	02111010	Blower Wheel Bearing	1
20	02121008P	Indoor Side Wall (left)	1
21	10351002	Indoor Blower Wheel/Cross Flow Fan	1
22	32001026	Electric Heater Assy	1
23	01001285	Evaporator Coil	1
24	20001390	Front Panel Sub-Assy	1
25	22411153	Discharge Air Grille	1
26	26111139	Indoor Air Filter Supports (right)	1
27	26111140	Indoor Air Filter Supports (center)	1
28	26111141	Indoor Air Filter Supports (left)	1
29	20001386	Front Panel (only)	1
30	11121212	Indoor Air Filter	2
31	20161239	Control Escutcheon Plate	1
32	63061121	Membrane/Keypad	1
33	01701016	Outer Support Side Angle (right)	1
34	03001139	Capillary Assy	1
35	01231041P	Partition Wall	1

Ref No.	Part Number	Part Description	Qty
36	02121009P	Indoor Side Wall (right)	1
37	01701014P	Indoor Fan Motor Support	1
38	1501180203	Indoor Fan Motor	1
39	00101053	Compressor and fittings	1
40	none	Overload Protector	0
41	03021012	4-way Valve	1
42	430004032	4-way Valve	1
43	0120102604P	Chassis Sub-Assy	1
44	07100164	Condensate Drain Valve	1
45	12411904	Foam Condensate Tray	1
46	02121012	Heat Insulation Plate	1
47	4300040042	4-way Valve Fittings	1
48	01401430	Control Box Assy	1
49	33000017	Capacitor	1
50	43110270	Transformer	1
51	33010026	Capacitor CBB61 2.5uF/450V	1
52	33010089	Capacitor CBB611A 1uF/450V	1
53	42011103	Terminal Board 2-8	2
54	01411050	Junction Box	1
55	02111009	Heater Wiring Plate	1
56	30032020	Main Control Circuit Board 1	1
57	01251015	Junction Box Plate	1
58	30032022	Main Relay/Power Circuit Board 2	1
59	42010037	Connector 5EHDV-02P	1
60	42010039S	Connector 5EHDV-07P	1
61	30542007	PCB	1
62	01361008P	Baffle Plate	1
63	20161238	Remote Board	1

Not Shown in Diagram			
Ref No.	Part Number	Part Description	Qty
NA	3900012123	Room Ambient Temperature Sensor	
NA	390002072	Indoor Tube Temperature Sensor	
NA	390001921	Outdoor Tube Temperature Sensor	

15,000 BTUH HEAT PUMP 208/230V
Model Number: PTAC-GAA15AB-D



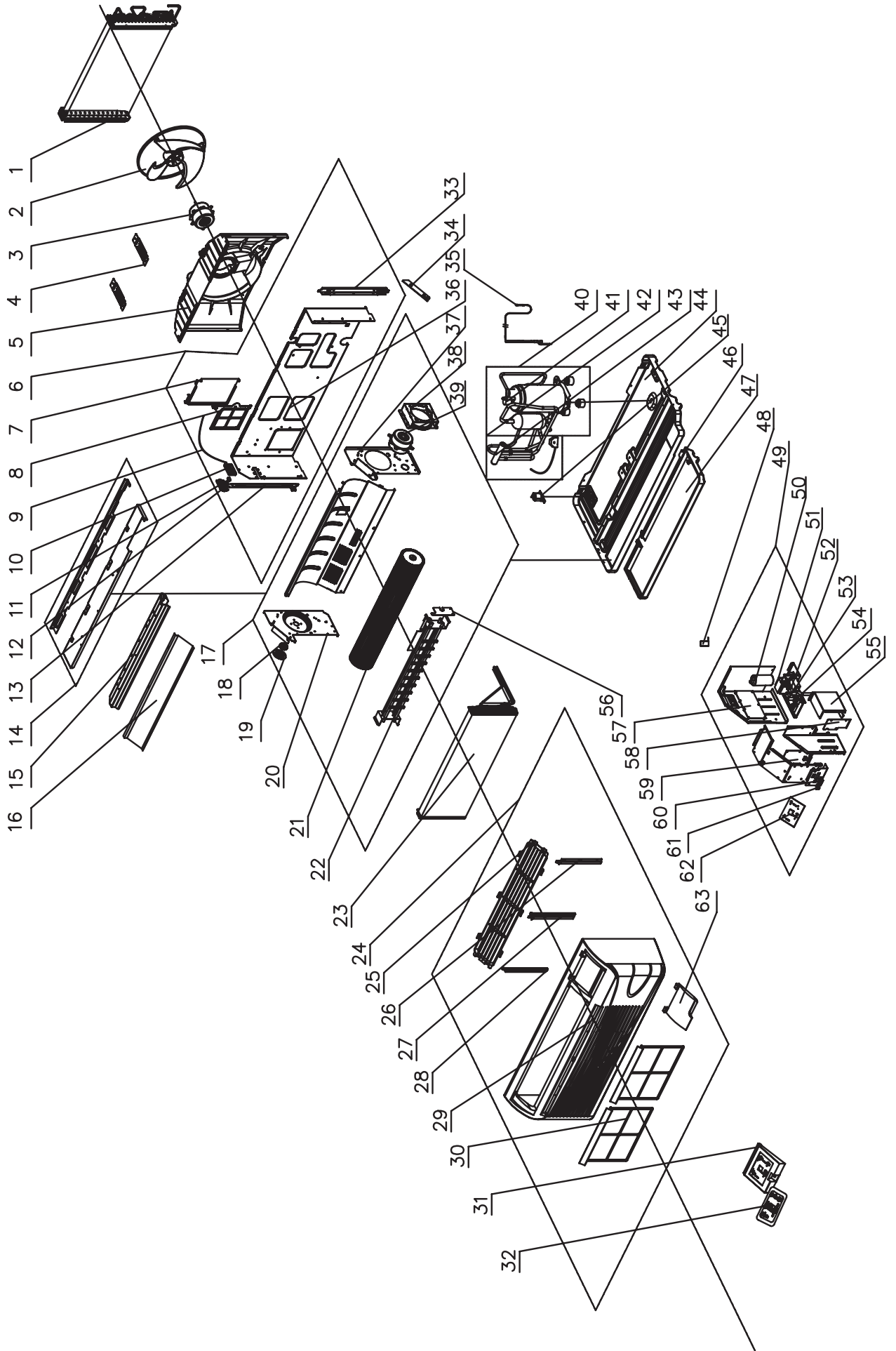
15,000 BTUH HEAT PUMP 208/230V
Model Number: PTAC-GAA15AB-D
Gree Engineering Number: GAA15AB-D3RNB1A

Ref No.	Part Number	Part Description	Qty
1	01101191	Condenser Coil	1
2	10331004	Outdoor Axial Flow Fan Blade	1
3	15011048	Outdoor Fan Motor	1
4	01381004	Shroud Support Bracket	2
5	10371004	Condenser Should	1
6	01231050	Partition Wall Sub Assy	1
7	01441008	Outdoor Air Vent Door Sub-Assy	1
8	11121213	Outdoor Air Vent Filter	1
9	02121014	Outdoor Air Vent Door Cable	1
10	26231155	Lower Vent Lever Housing	1
11	26231153	Outdoor Air Vent Lever	1
12	26231154	Upper Vent Lever Housing	1
13	01701015	Outer Support Side Angle (left)	1
14	01251013	Top Cover Plate Sub-Assy	1
15	02121010P	Discharge Air Deck	1
16	01471007	Discharge Air Screen	1
17	0144100904	Indoor Air Section Sub-Assy	1
18	26151139	Blower Wheel Bearing Housing	1
19	02111010	Blower Wheel Bearing	1
20	02121008P	Indoor Side Wall (left)	1
21	10351002	Indoor Blower Wheel/Cross Flow Fan	1
22	32001026	Electric Heater Assy	1
23	01001285	Evaporator Coil	1
24	20001390	Front Panel Sub-Assy	1
25	22411153	Discharge Air Grille	1
26	26111139	Indoor Air Filter Supports (right)	1
27	26111140	Indoor Air Filter Supports (center)	1
28	26111141	Indoor Air Filter Supports (left)	1
29	20001386	Front Panel (only)	1
30	11121212	Indoor Air Filter	2
31	20161239	Control Escutcheon Plate	1
32	63061121	Membrane/Keypad	1
33	01701016	Outer Support Side Angle (right)	1
34	03001434	Capillary Assy	1
35	01231041P	Partition Wall	1

Ref No.	Part Number	Part Description	Qty
36	02121009P	Indoor Side Wall (right)	1
37	01701014P	Indoor Fan Motor Support	1
38	1501180203	Indoor Fan Motor	1
39	00101085	Compressor and fittings	1
40	none	Overload Protector	0
41	03021187	4-way Valve	1
42	430004032	4-way Valve	1
43	01201026P	Chassis Assy	1
44	07100164	Condensate Drain Valve	1
45	12411904	Foam Condensate Tray	1
46	02121012	Heat Insulation Plate	1
47	4300040042	4-way Valve Fittings	1
48	01401899	Control Box Assy	1
49	33000045	Capacitor 40uF/450V φ50X90	1
50	43110270	Transformer	1
51	33010026	Capacitor CBB61 2.5uF/450V	1
52	33010089	Capacitor CBB611A 1uF/450V	1
53	42011103	Terminal Board 2-8	2
54	01411050	Junction Box	1
55	02111009	Heater Wiring Plate	1
56	30032020	Main Control Circuit Board 1	1
57	01251015	Junction Box Plate	1
58	30032022	Main Relay/Power Circuit Board 2	1
59	42010037	Connector 5EHDV-02P	1
60	42010039S	Connector 5EHDV-07P	1
61	30542007	PCB	1
62	01361008P	Baffle Plate	1
63	20161238	Remote Board	1

Not Shown in Diagram			
Ref No.	Part Number	Part Description	Qty
NA	3900012123	Room Ambient Temperature Sensor	
NA	390002072	Indoor Tube Temperature Sensor	
NA	390001921	Outdoor Tube Temperature Sensor	

7,000 BTUH HEAT PUMP 265V
Model Number: PTAC-GAA07AB-P



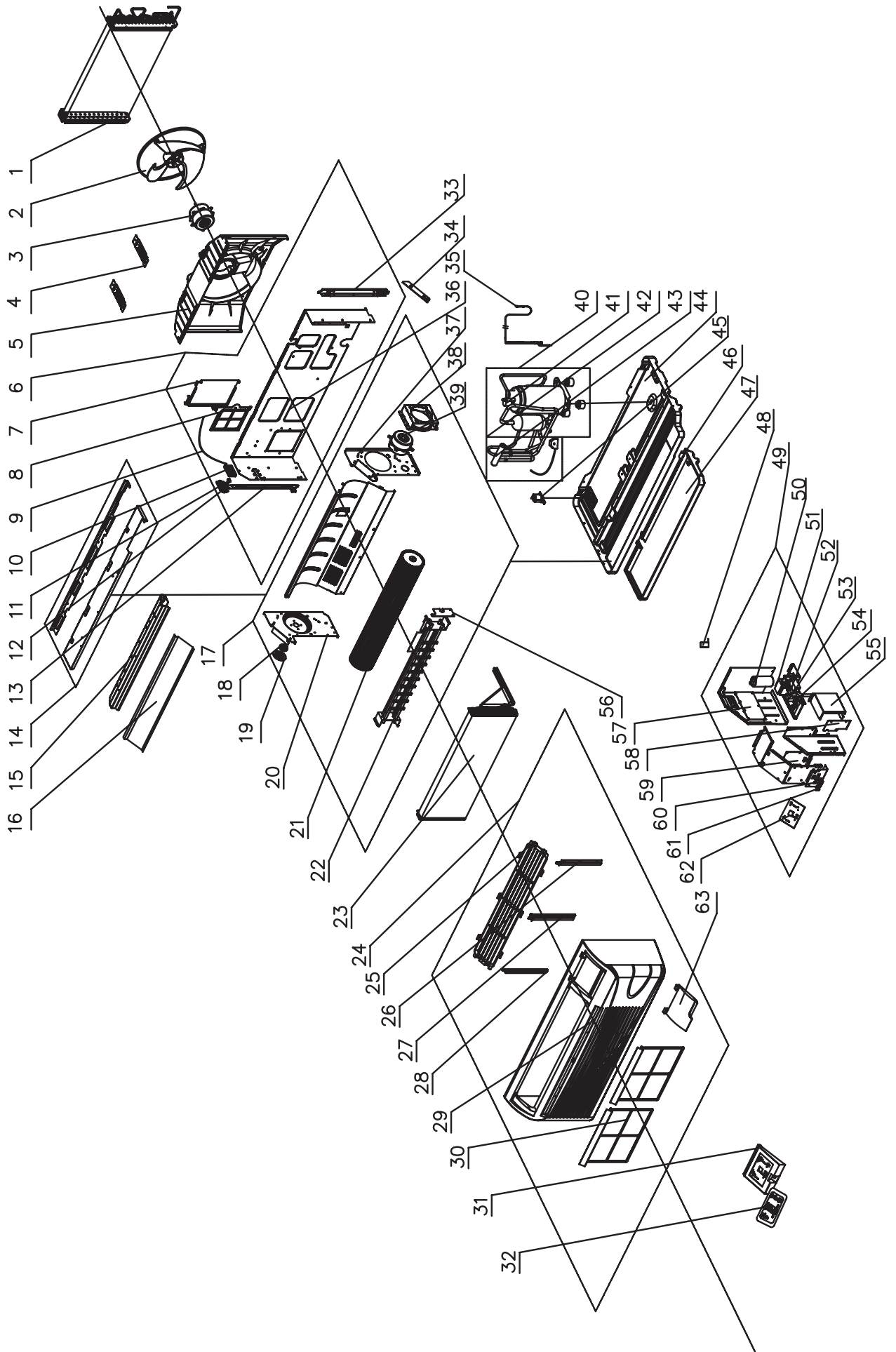
7,000 BTUH HEAT PUMP 265V
Model Number: PTAC-GAA07AB-P
Gree Engineering Number: GAA07AB-P3RNB1A

Ref No.	Part Number	Part Description	Qty
1	01101272	Condenser Coil	1
2	10331004	Outdoor Axial Flow Fan Blade	1
3	1501180204	Outdoor Fan Motor	1
4	01381004	Shroud Support Bracket	2
5	10371004	Condenser Should	1
6	01231050	Partition Wall Sub Assy	1
7	01441008	Outdoor Air Vent Door Sub-Assy	1
8	11121213	Outdoor Air Vent Filter	1
9	02121014	Outdoor Air Vent Door Cable	1
10	26231155	Lower Vent Lever Housing	1
11	26231153	Outdoor Air Vent Lever	1
12	26231154	Upper Vent Lever Housing	1
13	01701015	Outer Support Side Angle (left)	1
14	01251013	Top Cover Plate Sub-Assy	1
15	02121010P	Discharge Air Deck	1
16	01471007	Discharge Air Screen	1
17	01221013	Indoor Air Section Sub-Assy	1
18	26151139	Blower Wheel Bearing Housing	1
19	02111010	Blower Wheel Bearing	1
20	02121008P	Indoor Side Wall (left)	1
21	10351002	Indoor Blower Wheel/Cross Flow Fan	1
22	3200102603	Electric Heater Assy	1
23	01001066	Evaporator Coil	1
24	20001390	Front Panel Sub-Assy	1
25	22411153	Discharge Air Grille	1
26	26111139	Indoor Air Filter Supports (right)	1
27	26111140	Indoor Air Filter Supports (center)	1
28	26111141	Indoor Air Filter Supports (left)	1
29	20001386	Front Panel (only)	1
30	11121212	Indoor Air Filter	2
31	20161239	Control Escutcheon Plate	1
32	63061121	Membrane/Keypad	1
33	01701016	Outer Support Side Angle (right)	1
34	03001424	Capillary Assy	1
35	01231041P	Partition Wall	1

Ref No.	Part Number	Part Description	Qty
36	02121009P	Indoor Side Wall (right)	1
37	01701014P	Indoor Fan Motor Support	1
38	150110345	Indoor Fan Motor	1
39	00101060	Compressor and fittings	1
40	none	Overload Protector	0
41	03021109	4-way Valve	1
42	430004022	4-Way Valve	1
43	0120102601P	Chassis Assy	1
44	07100164	Condensate Drain Valve	1
45	12411904	Foam Condensate Tray	1
46	02121012	Heat Insulation Plate	1
47	4300040026	4 Way Valve Fittings	1
48	0140125501	Control Box Assy	1
49	33010045	Capacitor CBB65 15uF/450V	1
50	43110269	Transformer	1
51	33010020	Capacitor	1
52	33010089	Capacitor CBB611A 1uF/450V	1
53	42011103	Terminal Board 2-8	2
54	01411050	Junction Box	1
55	02111009	Heater Wiring Plate	1
56	30032020	Main Control Circuit Board 1	1
57	01251015	Junction Box Plate	1
58	30032023	Main Relay/Power Circuit Board 2	1
59	42010037	Connector 5EHDV-02P	1
60	42010039S	Connector 5EHDV-07P	1
61	30542007	PCB	1
62	01361008P	Baffle Plate	1
63	20161238	Remote Board	1

Not Shown in Diagram			
Ref No.	Part Number	Part Description	Qty
NA	3900012123	Room Ambient Temperature Sensor	
NA	390002072	Indoor Tube Temperature Sensor	
NA	390001921	Outdoor Tube Temperature Sensor	

9,000 BTUH HEAT PUMP 265V
Model Number: PTAC-GAA09AB-P



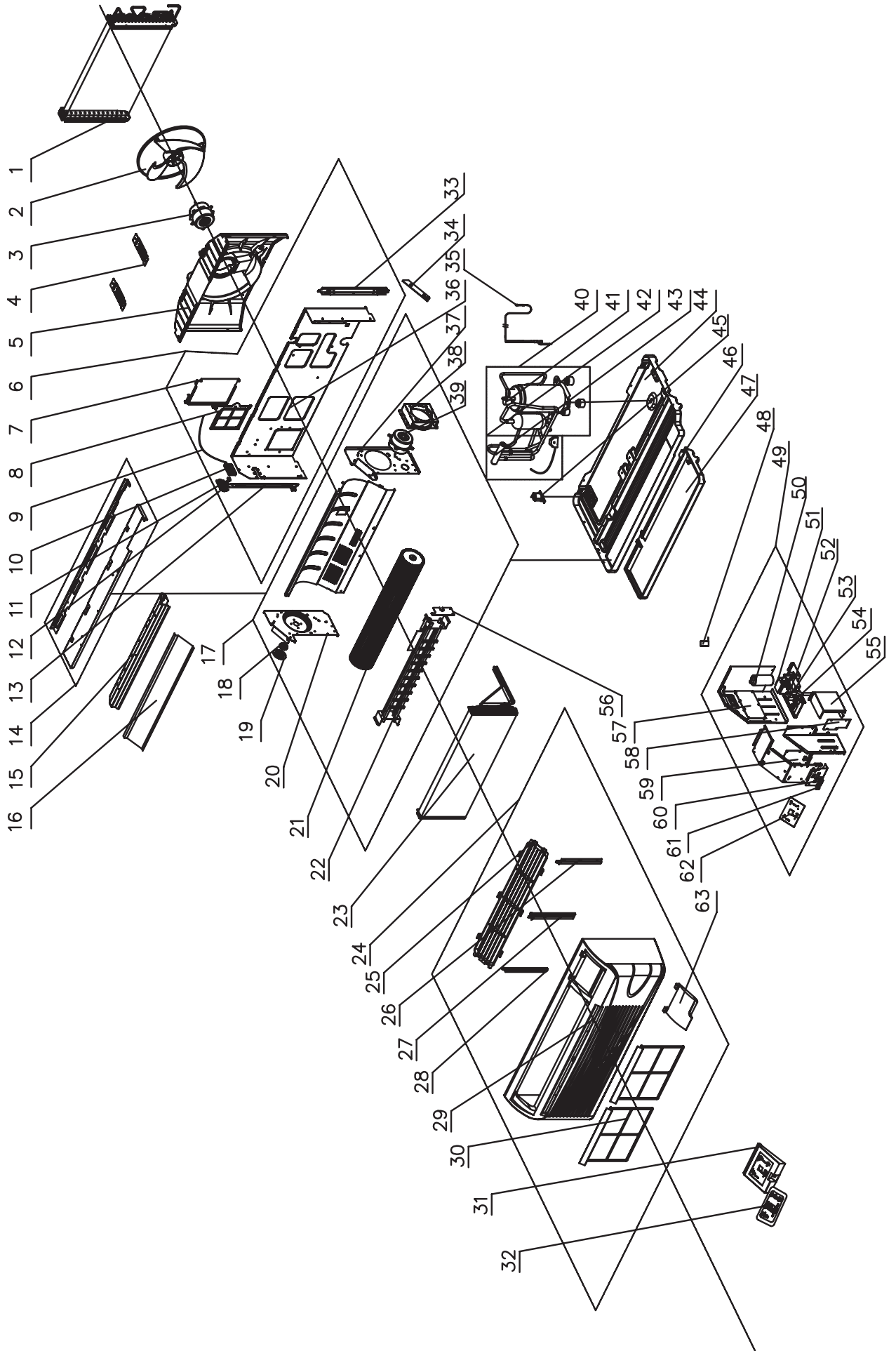
9,000 BTUH HEAT PUMP 265V
Model Number: PTAC-GAA09AB-P
Gree Engineering Number: GAA09AB-P3RNB1A

Ref No.	Part Number	Part Description	Qty
1	01101809	Condenser Coil	1
2	10331004	Outdoor Axial Flow Fan Blade	1
3	150110345	Outdoor Fan Motor	1
4	01381004	Shroud Support Bracket	2
5	10371004	Condenser Should	1
6	01231050	Partition Wall Sub Assy	1
7	01441008	Outdoor Air Vent Door Sub-Assy	1
8	11121213	Outdoor Air Vent Filter	1
9	02121014	Outdoor Air Vent Door Cable	1
10	26231155	Lower Vent Lever Housing	1
11	26231153	Outdoor Air Vent Lever	1
12	26231154	Upper Vent Lever Housing	1
13	01701015	Outer Support Side Angle (left)	1
14	01251013	Top Cover Plate Sub-Assy	1
15	02121010P	Discharge Air Deck	1
16	01471007	Discharge Air Screen	1
17	0122101101	Indoor Air Section Sub-Assy	1
18	26151139	Blower Wheel Bearing Housing	1
19	02111010	Blower Wheel Bearing	1
20	02121008P	Indoor Side Wall (left)	1
21	10351002	Indoor Blower Wheel/Cross Flow Fan	1
22	3200102603	Electric Heater Assy	1
23	01001284	Evaporator Coil	1
24	20001390	Front Panel Sub-Assy	1
25	22411153	Discharge Air Grille	1
26	26111139	Indoor Air Filter Supports (right)	1
27	26111140	Indoor Air Filter Supports (center)	1
28	26111141	Indoor Air Filter Supports (left)	1
29	20001386	Front Panel (only)	1
30	11121212	Indoor Air Filter	2
31	20161239	Control Escutcheon Plate	1
32	63061121	Membrane/Keypad	1
33	01701016	Outer Support Side Angle (right)	1
34	03001824	Capillary Assy	1
35	01231041P	Partition Wall	1

Ref No.	Part Number	Part Description	Qty
36	02121009P	Indoor Side Wall (right)	1
37	01701014P	Indoor Fan Motor Support	1
38	1501180201	Indoor Fan Motor	1
39	00101052	Compressor and fittings	1
40	none	Overload Protector	0
41	03021505	4-way Valve	1
42	430004022	4-Way Valve	1
43	0120102604P	Chassis Sub-Assy	1
44	07100164	Condensate Drain Valve	1
45	12411904	Foam Condensate Tray	1
46	02121012	Heat Insulation Plate	1
47	4300040026	4 Way Valve Fittings	1
48	01401332	Control Box Assy	1
49	33010045	Capacitor CBB65 15uF/450V	1
50	43110269	Transformer	1
51	33010020	Capacitor	1
52	33010020	Capacitor	1
53	42011103	Terminal Board 2-8	2
54	01411050	Junction Box	1
55	02111009	Heater Wiring Plate	1
56	30032020	Main Control Circuit Board 1	1
57	01251015	Junction Box Plate	1
58	30032023	Main Relay/Power Circuit Board 2	1
59	42010037	Connector 5EHDV-02P	1
60	42010039S	Connector 5EHDV-07P	1
61	30542007	PCB	1
62	01361008P	Baffle Plate	1
63	20161238	Remote Board	1

Not Shown in Diagram			
Ref No.	Part Number	Part Description	Qty
NA	3900012123	Room Ambient Temperature Sensor	
NA	390002072	Indoor Tube Temperature Sensor	
NA	390001921	Outdoor Tube Temperature Sensor	

12,000 BTUH HEAT PUMP 265V
Model Number: PTAC-GAA12AB-P



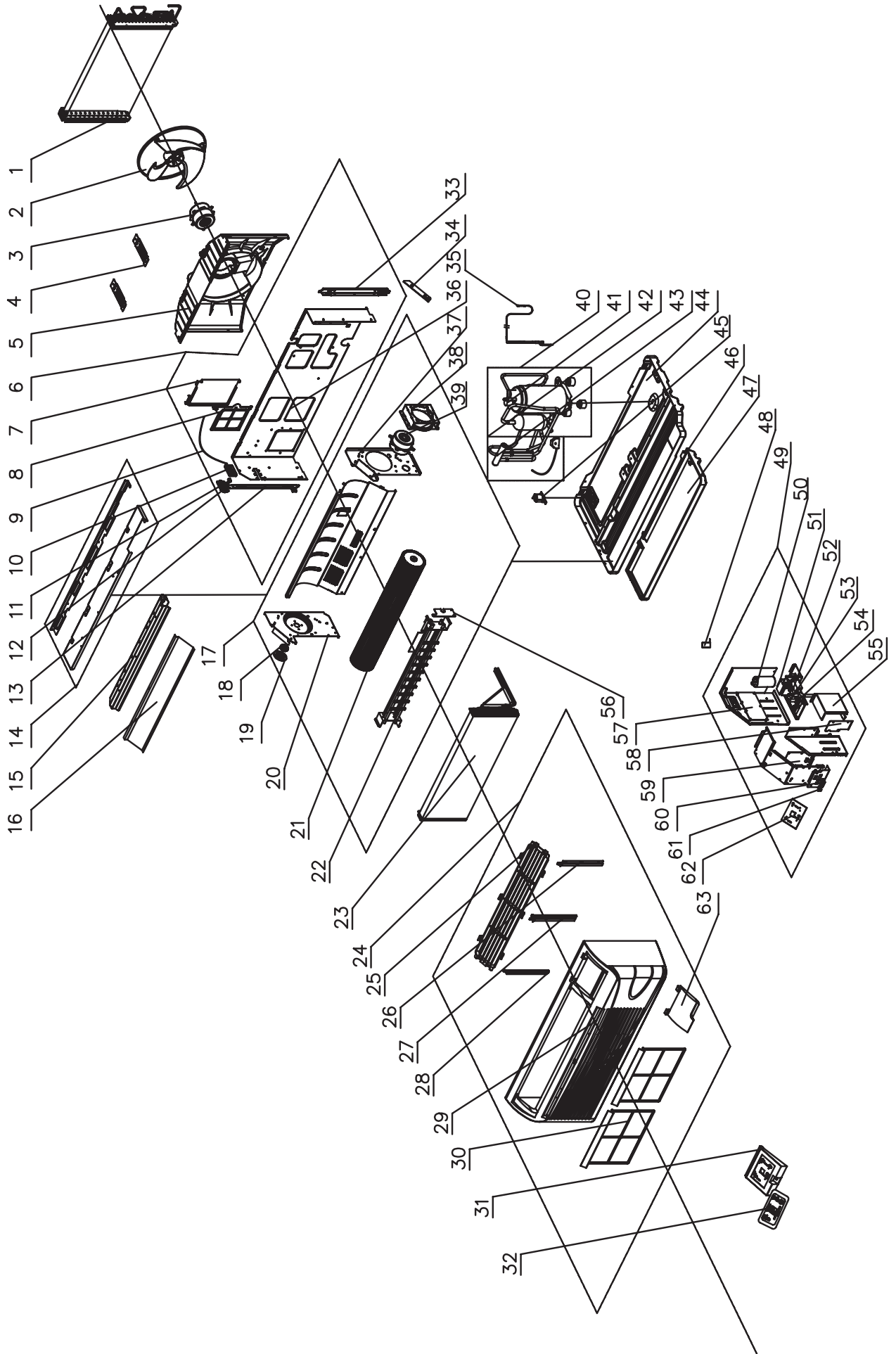
12,000 BTUH HEAT PUMP 265V
Model Number: PTAC-GAA12AB-P
Gree Engineering Number: GAA12AB-P3RNB1A

Ref No.	Part Number	Part Description	Qty
1	01101809	Condenser Coil	1
2	10331004	Outdoor Axial Flow Fan Blade	1
3	150110342	Outdoor Fan Motor	1
4	01381004	Shroud Support Bracket	2
5	10371004	Condenser Should	1
6	01231050	Partition Wall Sub Assy	1
7	01441008	Outdoor Air Vent Door Sub-Assy	1
8	11121213	Outdoor Air Vent Filter	1
9	02121014	Outdoor Air Vent Door Cable	1
10	26231155	Lower Vent Lever Housing	1
11	26231153	Outdoor Air Vent Lever	1
12	26231154	Upper Vent Lever Housing	1
13	01701015	Outer Support Side Angle (left)	1
14	01251013	Top Cover Plate Sub-Assy	1
15	02121010P	Discharge Air Deck	1
16	01471007	Discharge Air Screen	1
17	0144100905	Indoor Air Section Sub-Assy	1
18	26151139	Blower Wheel Bearing Housing	1
19	02111010	Blower Wheel Bearing	1
20	02121008P	Indoor Side Wall (left)	1
21	10351002	Indoor Blower Wheel/Cross Flow Fan	1
22	3200102601	Electric Heater Assy	1
23	01001285	Evaporator Coil	1
24	20001390	Front Panel Sub-Assy	1
25	22411153	Discharge Air Grille	1
26	26111139	Indoor Air Filter Supports (right)	1
27	26111140	Indoor Air Filter Supports (center)	1
28	26111141	Indoor Air Filter Supports (left)	1
29	20001386	Front Panel (only)	1
30	11121212	Indoor Air Filter	2
31	20161239	Control Escutcheon Plate	1
32	63061121	Membrane/Keypad	1
33	01701016	Outer Support Side Angle (right)	1
34	03001139	Capillary Assy	1
35	01231041P	Partition Wall	1

Ref No.	Part Number	Part Description	Qty
36	02121009P	Indoor Side Wall (right)	1
37	01701014P	Indoor Fan Motor Support	1
38	1501180205	Indoor Fan Motor	1
39	00101054	Compressor and fittings	1
40	none	Overload Protector	0
41	03021012	4-way Valve sub Assy	1
42	430004032	4-way Valve	1
43	0120102604P	Chassis Assy	1
44	07100164	Condensate Drain Valve	1
45	12411904	Foam Condensate Tray	1
46	02121012	Heat Insulation Plate	1
47	4300040026	4 Way Valve Fittings	1
48	01401431	Control Box Assy	1
49	33000017	Capacitor	1
50	43110269	Transformer	1
51	33010020	Capacitor	1
52	33010026	Capacitor	1
53	42011103	Terminal Board 2-8	2
54	01411050	Junction Box	1
55	02111009	Heater Wiring Plate	1
56	30032020	Main Control Circuit Board 1	1
57	01251015	Junction Box Plate	1
58	30032023	Main Relay/Power Circuit Board 2	1
59	42010037	Connector 5EHDV-02P	1
60	42010039S	Connector 5EHDV-07P	1
61	30542007	PCB	1
62	01361008P	Baffle Plate	1
63	20161238	Remote Board	1

Not Shown in Diagram			
Ref No.	Part Number	Part Description	Qty
NA	3900012123	Room Ambient Temperature Sensor	
NA	390002072	Indoor Tube Temperature Sensor	
NA	390001921	Outdoor Tube Temperature Sensor	

15,000 BTUH HEAT PUMP 265V
Model Number: PTAC-GAA15AB-P



15,000 BTUH HEAT PUMP 265V
Model Number: PTAC-GAA15AB-P
Gree Engineering Number: GAA15AB-P3RNB1A

Ref No.	Part Number	Part Description	Qty
1	01101191	Condenser Coil	1
2	10331004	Outdoor Axial Flow Fan Blade	1
3	150110342	Outdoor Fan Motor	1
4	01381004	Shroud Support Bracket	2
5	10371004	Condenser Should	1
6	01231050	Partition Wall Sub Assy	1
7	01441008	Outdoor Air Vent Door Sub-Assy	1
8	11121213	Outdoor Air Vent Filter	1
9	02121014	Outdoor Air Vent Door Cable	1
10	26231155	Lower Vent Lever Housing	1
11	26231153	Outdoor Air Vent Lever	1
12	26231154	Upper Vent Lever Housing	1
13	01701015	Outer Support Side Angle (left)	1
14	01251013	Top Cover Plate Sub-Assy	1
15	02121010P	Discharge Air Deck	1
16	01471007	Discharge Air Screen	1
17	0144100905	Indoor Air Section Sub-Assy	1
18	26151139	Blower Wheel Bearing Housing	1
19	02111010	Blower Wheel Bearing	1
20	02121008P	Indoor Side Wall (left)	1
21	10351002	Indoor Blower Wheel/Cross Flow Fan	1
22	3200102601	Electric Heater Assy	1
23	01001285	Evaporator Coil	1
24	20001390	Front Panel Sub-Assy	1
25	22411153	Discharge Air Grille	1
26	26111139	Indoor Air Filter Supports (right)	1
27	26111140	Indoor Air Filter Supports (center)	1
28	26111141	Indoor Air Filter Supports (left)	1
29	20001386	Front Panel (only)	1
30	11121212	Indoor Air Filter	2
31	20161239	Control Escutcheon Plate	1
32	63061121	Membrane/Keypad	1
33	01701016	Outer Support Side Angle (right)	1
34	03001366	Capillary Assy	1
35	01231041P	Partition Wall	1

Ref No.	Part Number	Part Description	Qty
36	02121009P	Indoor Side Wall (right)	1
37	01701014P	Indoor Fan Motor Support	1
38	1501180205	Indoor Fan Motor	1
39	00101091	Compressor and fittings	1
40	none	Overload Protector	0
41	03021187	4-way Valve	1
42	430004032	4-way Valve	1
43	01201026P	Chassis Assy	1
44	07100164	Condensate Drain Valve	1
45	12411904	Foam Condensate Tray	1
46	02121012	Heat Insulation Plate	1
47	4300040026	4 Way Valve Fittings	1
48	01401914	Control Box Assy	1
49	33000017	Capacitor	1
50	43110269	Transformer	1
51	33010020	Capacitor	1
52	33010026	Capacitor CBB61 2.5uF/450V	1
53	42011103	Terminal Board 2-8	2
54	01411050	Junction Box	1
55	02111009	Heater Wiring Plate	1
56	30032020	Main Control Circuit Board 1	1
57	01251015	Junction Box Plate	1
58	30032023	Main Relay/Power Circuit Board 2	1
59	42010037	Connector 5EHDV-02P	1
60	42010039S	Connector 5EHDV-07P	1
61	30542007	PCB	1
62	01361008P	Baffle Plate	1
63	20161238	Remote Board	1

Not Shown in Diagram			
Ref No.	Part Number	Part Description	Qty
NA	3900012123	Room Ambient Temperature Sensor	
NA	390002072	Indoor Tube Temperature Sensor	
NA	390001921	Outdoor Tube Temperature Sensor	

