

Ductfree Mini-Split Systems
9,000 - 24,000 Btuh



rio

Replacement Parts Catalog

REVISION A

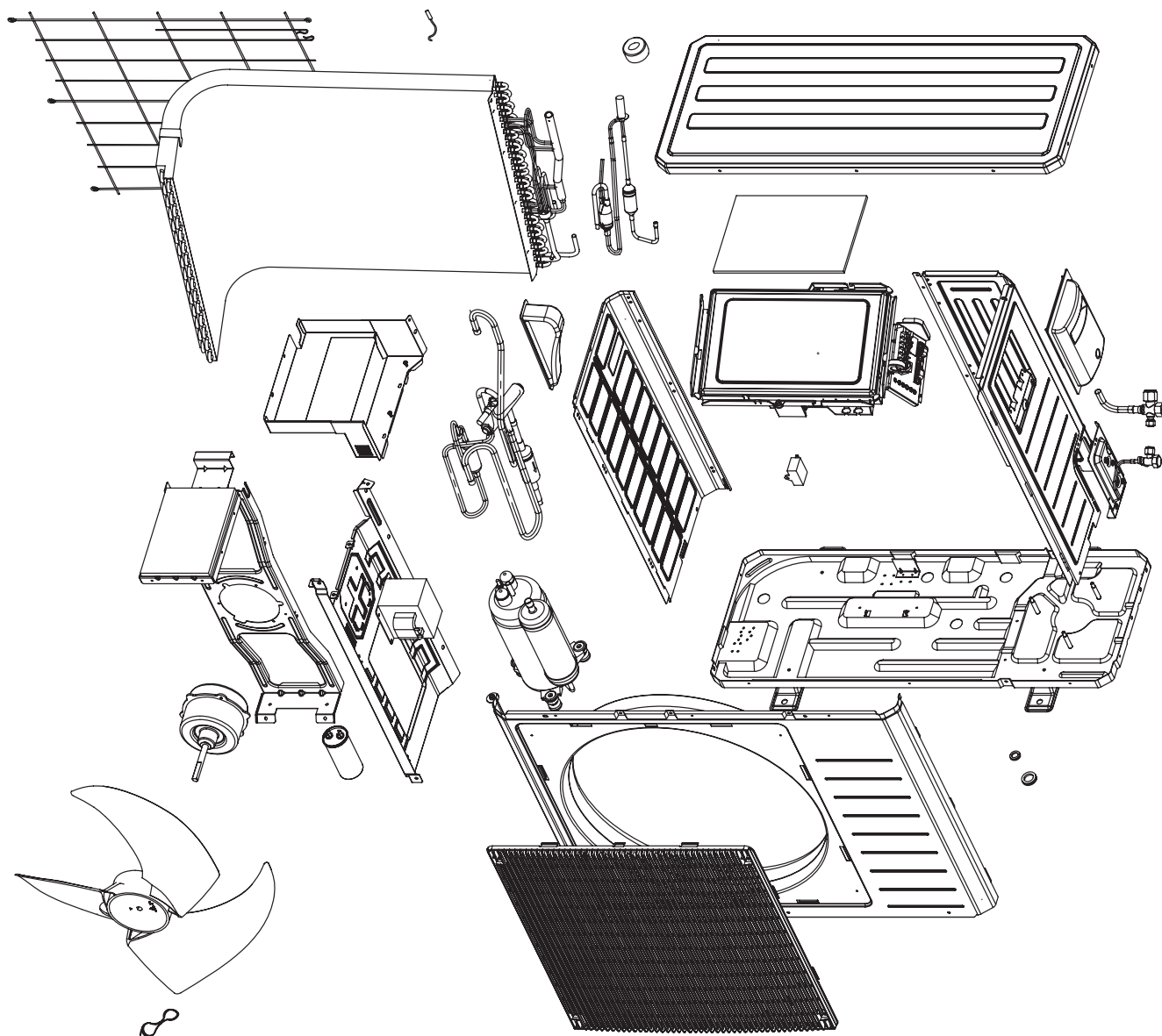
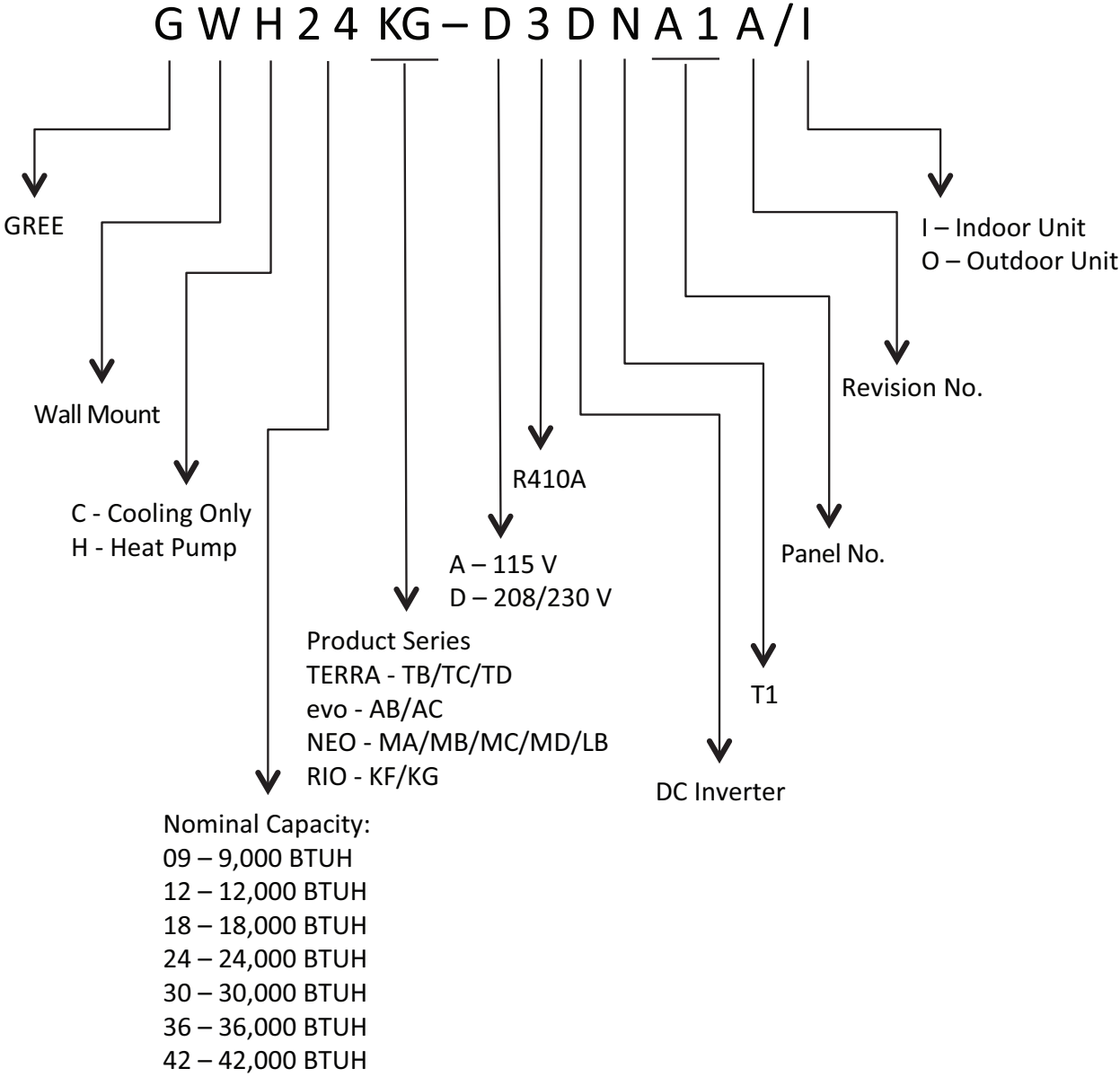


Table of Contents

Model Number	Description	Page
RIO09HP115V1AH	Heat Pump 9,000 Btuh 115v Indoor Unit	2-3
RIO09HP115V1AO	Heat Pump 9,000 Btuh 115v Outdoor Unit	4-5
RIO09HP230V1AH	Heat Pump 9,000 Btuh 208/230v Indoor Unit	6-7
RIO09HP230V1AO	Heat Pump 9,000 Btuh 208/230v Outdoor Unit	8-9
RIO12HP115V1AH	Heat Pump 12,000 Btuh 115v Indoor Unit	10-11
RIO12HP115V1AO	Heat Pump 12,000 Btuh 115v Outdoor Unit	12-13
RIO12HP230V1AH	Heat Pump 12,000 Btuh 208/230v Indoor Unit	14-15
RIO12HP230V1AO	Heat Pump 12,000 Btuh 208/230v Outdoor Unit	16-17
RIO18HP230V1AH	Heat Pump 18,000 Btuh 208/230v Indoor Unit	18-19
RIO18HP230V1AO	Heat Pump 18,000 Btuh 208/230v Outdoor Unit	20-21
RIO24HP230V1AH	Heat Pump 24,000 Btuh 208/230v Indoor Unit	22-23
RIO24HP230V1AO	Heat Pump 24,000 Btuh 208/230v Outdoor Unit	24-25
RIO09AC230V1AH	Cooling Only 9,000 Btuh 208/230v Indoor Unit	26-27
RIO09AC230V1AO	Cooling Only 9,000 Btuh 208/230v Outdoor Unit	28-29
RIO12AC230V1AH	Cooling Only 12,000 Btuh 208/230v Indoor Unit	30-31
RIO12AC230V1AO	Cooling Only 12,000 Btuh 208/230v Outdoor Unit	32-33
RIO18AC230V1AH	Cooling Only 18,000 Btuh 208/230v Indoor Unit	34-35
RIO18AC230V1AO	Cooling Only 18,000 Btuh 208/230v Outdoor Unit	36-37
RIO24AC230V1AH	Cooling Only 24,000 Btuh 208/230v Indoor Unit	38-39
RIO24AC230V1AO	Cooling Only 24,000 Btuh 208/230v Outdoor Unit	40-41

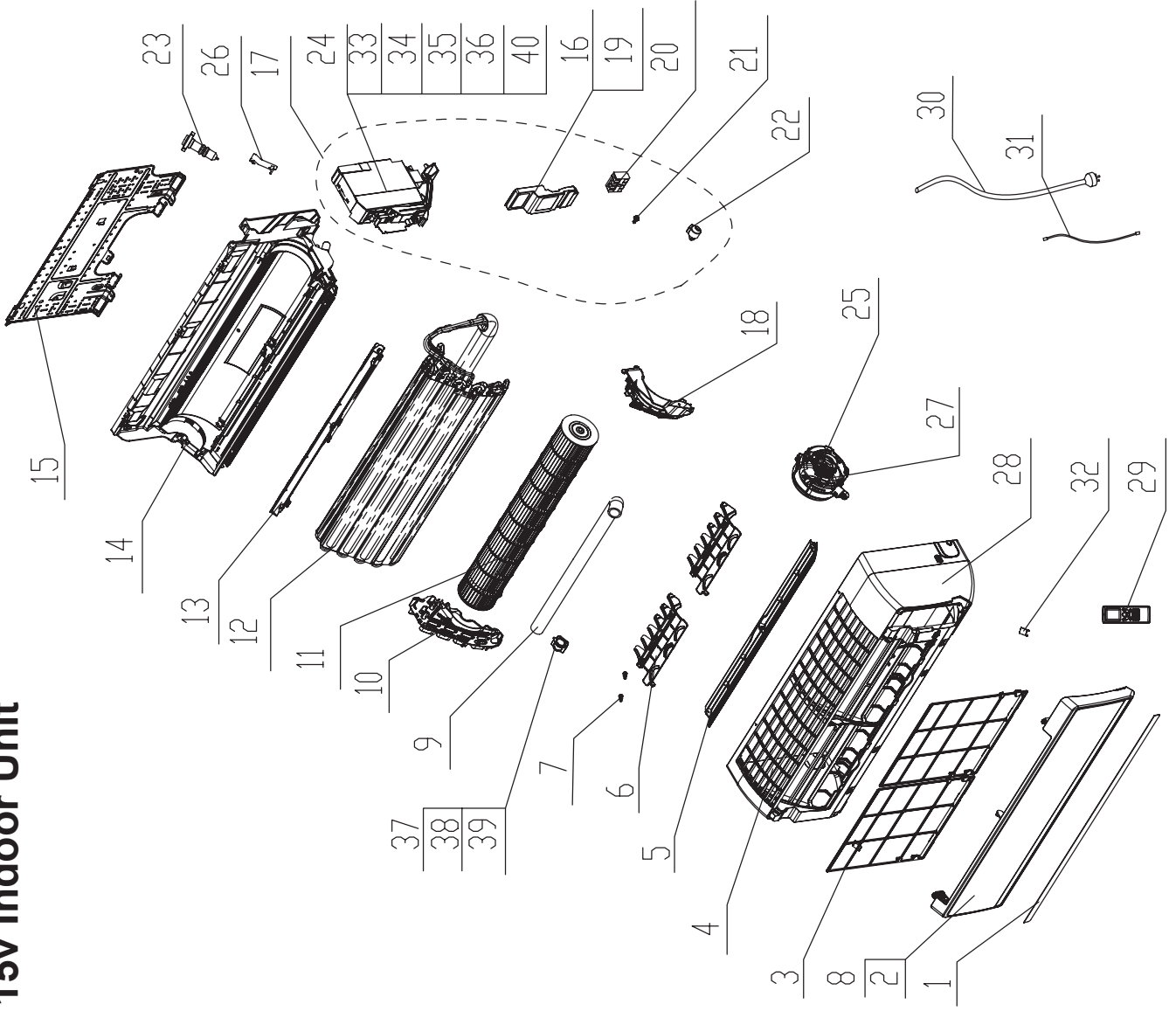
Product Catalog Number-Nomenclature



RIO09HP115V1AH

GWH09KF-A3DNB1A/I

9,000 Btuh 115v Indoor Unit



RIO09HP115V1AH
GWH09KF-A3DNB1A/I
9,000 Btuh 115v Indoor Unit
Product Code: CB146N22901

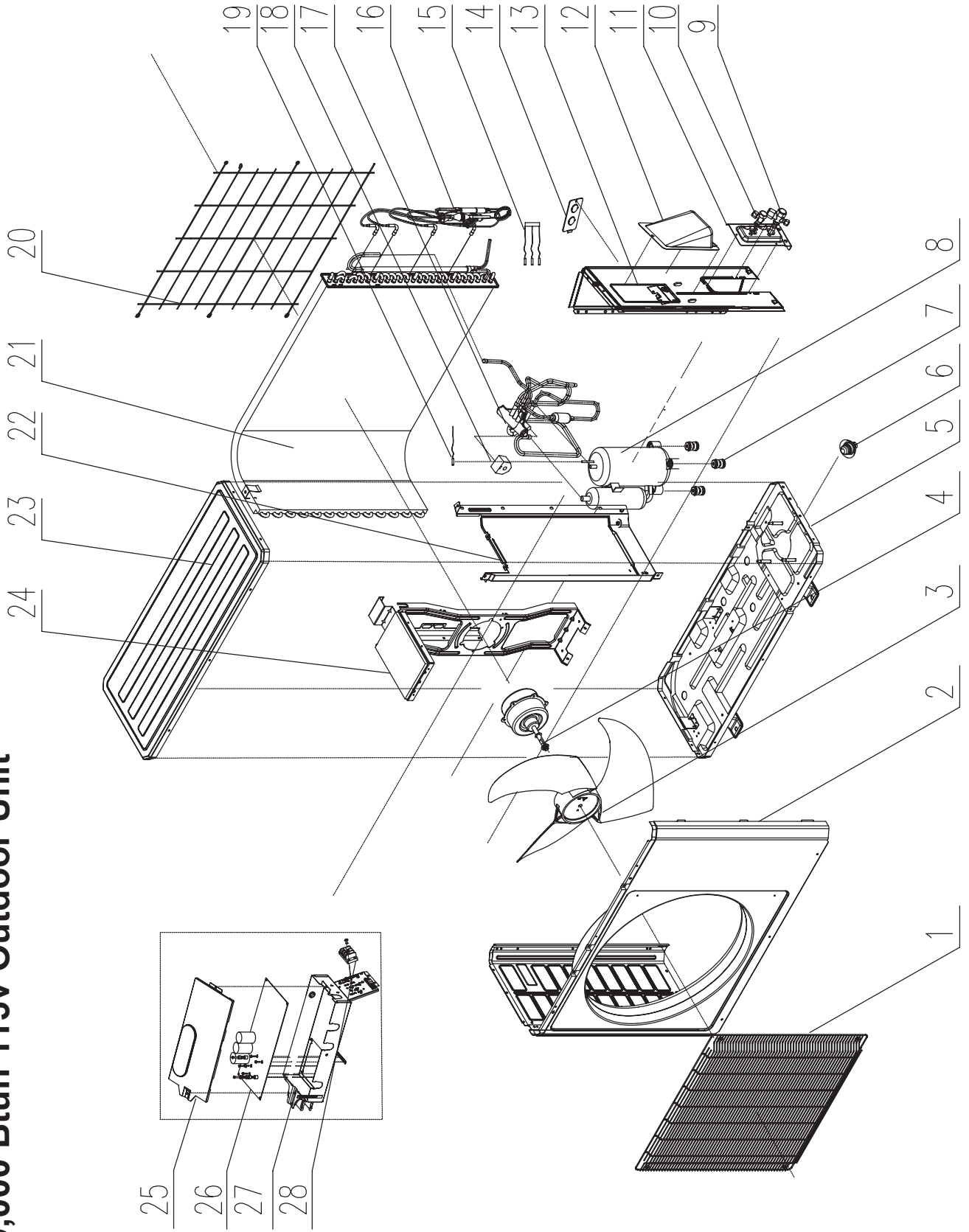
NO.	Part Code	Part Description	Qty
1	NA	Decorative Strip	1
2	20012688S	Front Panel	1
3	1112208201	Filter Sub-Assy	2
4	2001232401	Front Case	1
5	10512119	Guide Louver	1
6	10512160	Air Louver	2
7	1054202001	Shaft of Guide Louver	2
8	NA	Front Panel Assy	1
9	0523204101	Drainage Pipe Sub-Assy	1
10	24212108	Evaporator Support	1
11	10352423	Cross Flow Fan	1
12	01002639	Evaporator Coil Assy	1
13	26112486	Helicoid tongue	1
14	2220211904	Rear Case Assy	1
15	0125201801A	Wall Mounting Frame	1
16	20122106	Electric Control Box Cover	1
17	20402086	Electric Control Box Assy	1
18	26112191	Motor Press Plate	1
19	20122109	Electric Control Box Cover Sub-Assy	1
20	42011233	Terminal Board	1
21	73012005	Crank	1
22	1521210701	Stepper Motor	1

NO.	Part Code	Part Description	Qty
23	76712020	Pipe plug (outlet)	1
24	20112086	Electric Control Box	1
25	1500200202	Motor Sub-Assy	1
26	NA	Baffle Plate	1
27	1501209302	Fan Motor	1
28	2001237501	Front Case Assy	1
29	305100621	Remote Control	1
Not Shown	27210071	Remote Control Holder/Cradle	1
30	NA	Line Cable	0
31	NA	Connecting Cable	0
32	24252019	Screw Cover	1
33	3014860101	Main Control Board	1
Not Shown	4202300101	Configeration Jumper Connector	1
34	3301000214	Capacitor	1
35	390000453	Ambient Temperature Sensor	1
36	NA	Relay	1
37	76512210	Fan Bearing	1
38	76512011	Damping Washer Sub-Assy	1
39	10542024	Axial Bushing Sub-Assy	1
40	20402092	Electric Control Box Sub-Assy	1
Not Shown	39000305	Indoor Coil Temperature Sensor	1
Not Shown	30568112	Display Board	1

RIO09HP115V1AO

GWH09KF-A3DNA5A/O

9,000 Btuh 115v Outdoor Unit



RIO09HP115V1AO
GWH09KF-A3DNA5A/O
9,000 Btuh 115v Outdoor Unit
Product Code: CB146W0431

NO.	Part Code	Part Description	Qty
1	01473012	Front Grill	1
2	0143305801P	Cabinet	1
3	10333012	Axial Flow Fan	1
4	15013160	Fan Motor	1
5	0120388101P	Chassis Sub-Assy	1
6	06123401	Drainage Connector	1
7	76710302	Compressor Grommets	3
8	00103862	Compressor and Fittings	1
9	07100003	Liquid Line Valve 1/4-in	1
10	07100005	Gas Line Valve 3/8-in	1
11	01713041	Valve Support	1
12	02123013P	Cable Cross Plate 1	1
13	013030713	Right Side Plate Assy	1
14	01413069	Wire cover	1
15	NA	NA	0

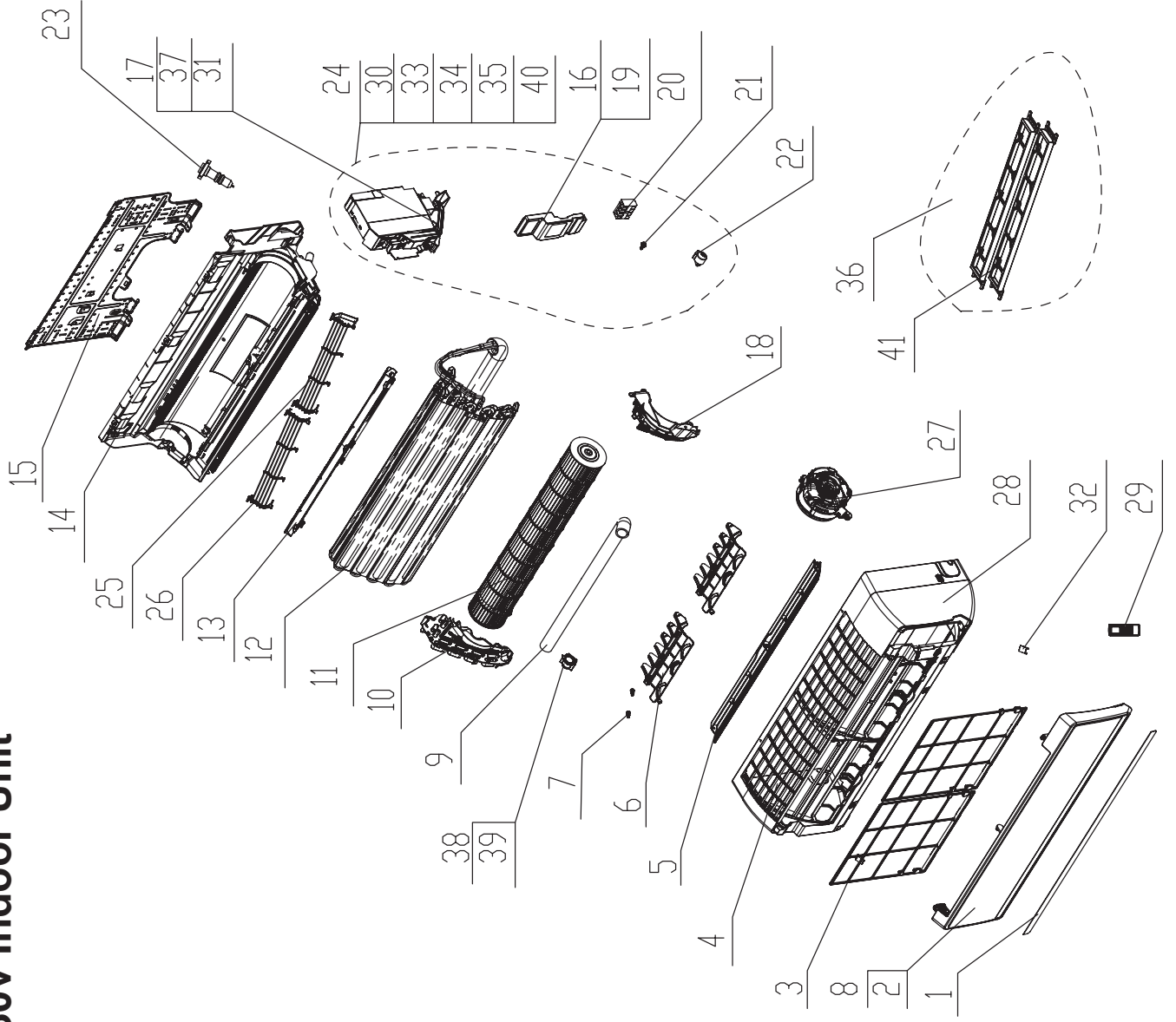
NO.	Part Code	Part Description	Qty
16	03143664	Capillary Assy	1
17	03123981	4-Way Valve Assy	1
18	4300040021	Magnet Coil	1
19	39000310	Temperature Sensors Assembly**	1
20	01473057	Rear Grille	1
21	01163685	Condenser Coil Assy	1
22	01233198	Clapboard Coil Sub-Assy	1
23	01253443	Top Cover Plate	1
24	0170500101	Motor Support	1
25	0260309601	Electric Control Box Cover Sub-Assy	1
26	3014857101	Main Control Board	1
27	02613348	Electric Control Box Assy	1
28	42010313	Terminal Board	1
Not Shown	02123014P	Cable Cross Plate 2	1

** Temperature Sensor Assembly contains Discharge, Coil, & Ambient Temperature sensors.

RIO09HP230V1AH

GWH09KF-D3DNB1C/I

9,000 Btuh 208/230v Indoor Unit



RIO09HP230V1AH
GWH09KF-D3DNB1C/I
9,000 Btuh 208/230v Indoor Unit
Product Code: CB146N22400

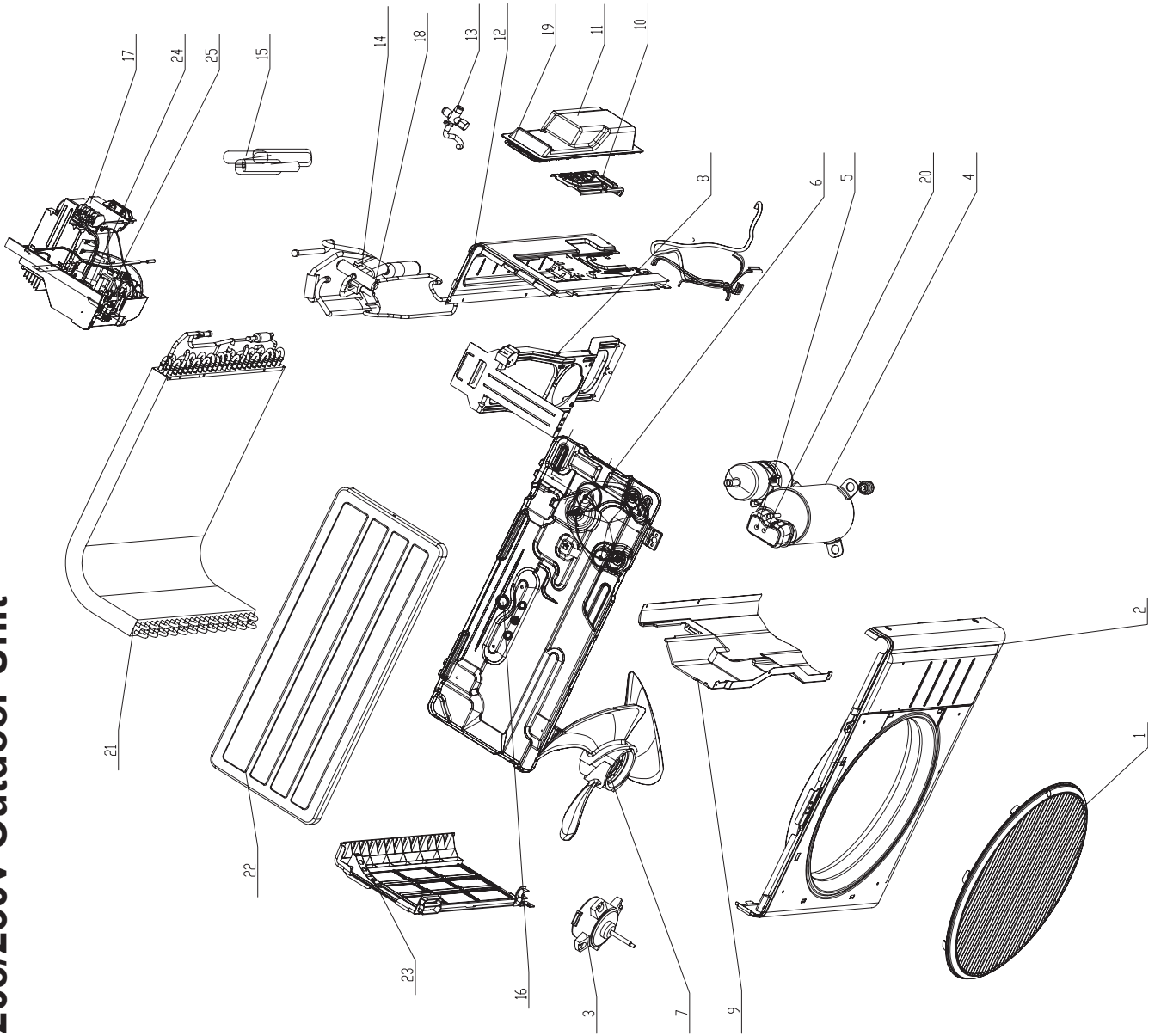
NO.	Part Code	Part Description	Qty
1	NA	Decorative Strip	0
2	20012688S	Front Panel	1
3	1112208201	Filter Sub-Assy	2
4	2001232401	Front Case	1
5	10512119	Guide Louver	1
6	10512160	Air Louver	2
7	1054202001	Shaft of Guide Louver	2
8	NA	Front Panel Assy	1
9	0523204101	Drainage Pipe Sub-assy	1
10	24212108	Evaporator Coil Support	1
11	10352423	Cross Flow Fan	1
12	01002270	Evaporator Coil Assy	1
13	26112486	Helicoid tongue	1
14	2220211902	Rear Case assy	1
15	0125201801A	Wall Mounting Frame	1
16	2012210601	Electric Control Box Cover	1
17	20302587	Electric Control Box Assy	1
18	26112191	Motor Press Plate	1
19	01402058	Electric Control Box Cover Sub-Assy	1
20	42011233	Terminal Board	1
21	73012005	Crank	1
22	1521210701	Stepper Motor	1

NO.	Part Code	Part Description	Qty
23	76712020	Pipe Plug (outlet)	1
24	20112086	Electric Control Box	1
25	11002001	Rear Grille Sub-Assy 2	1
26	24212911	Rear Grille Sub-Assy	1
27	1501209301	Fan Motor	1
28	2001237501	Front Case Assy	1
29	305100621	Remote Control	1
Not Shown	NA	Remote Control Holder/Cradle	1
30	NA	Configeration Jumper Connector	0
31	22242084	Indicator Light Cover	1
32	24252019	Screw Cover	1
Not Shown	301484391	Main Control Board	1
33	3301000213	Capacitor CBB61	1
34	390000453	Ambient Temperature Sensor	1
35	11122100	Catechin Filter Sub-Assy	1
36	22242083	Indicator shield cover	1
37	76512011	Damping Washer Sub-Assy	1
38	10542024	Axial Bushing Aub-Assy	1
39	20302635	Electric Control Box Sub-Assy	1
Not Shown	24212910	Catechin Filter Support	2
Not Shown	39000305	Indoor Coil Temperature Sensor	1
Not Shown	30568010	Display Board	1

RIO09HP230V1AO

GWH09KF-D3DNA5C/O

9,000 Btuh 208/230v Outdoor Unit



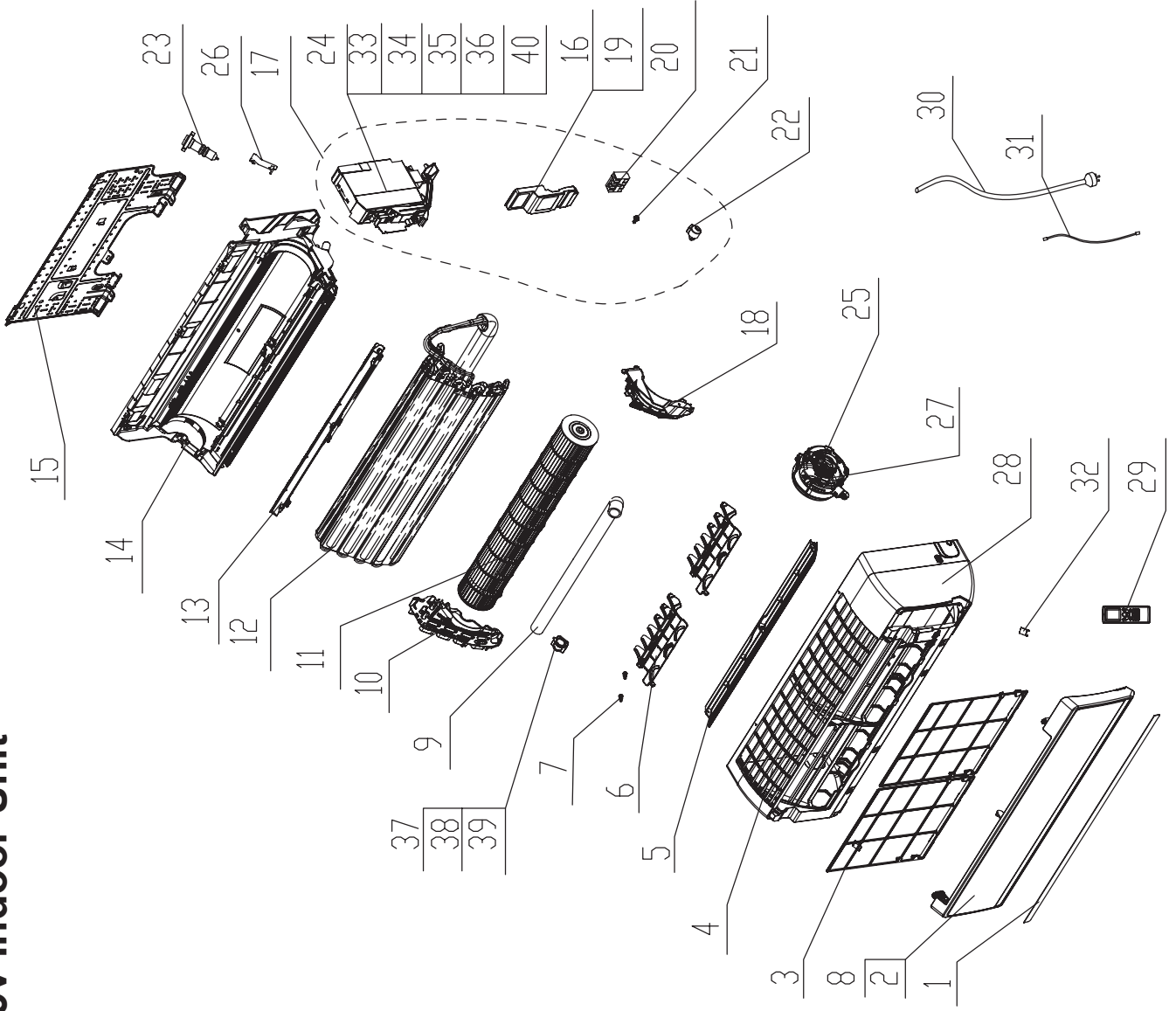
RIO09HP230V1AO
GWH09KF-D3DNA5C/O
9,000 Btuh 208/230v Outdoor Unit
Product Code: CB146W18500

NO.	Part Code	Part Description	Qty
1	01473051	Front Grille	1
2	01433061	Cabinet Sub-Assy	1
3	1501307301	Fan Motor	1
4	00103869G	Compressor and Fittings	1
5	00180030	Compressor Overload Protector(External)	1
6	0280309801P	Chassis Sub-Assy	1
7	1033300901	Axial Flow Fan Sub-Assy	1
8	0170312201	Motor Support	1
9	01233088	Clapboard	1
10	01713089	Valve Support	1
11	26233044	Handle	1
12	0130318001	Right Side Plate Sub-Assy	1
13	07133692	Cut-Off Valve Assy 1/4 -in	1
14	03123901	4-Way Valve Assy	1
15	03063983	Capillary Sub-assy	1
16	06123024	Drainage Joint	1
17	02613061	Electric Control Box Assy	1

NO.	Part Code	Part Description	Qty
18	4300040056	Magnet Coil	1
19	NA	Thermal Baffle	1
20	NA	Terminal cap	1
21	01113463	Condenser Coil Assy	1
22	01253071	Top Cover Sub-Assy	1
23	20053001	Left Side Plate	1
24	30148395	Main Control Board	1
25	02613096	Electric Control Box Sub-Assy	1
Not Shown	430004022	4-Way Valve	1
Not Shown	76513004	Electrical Heater(Compressor)	1
Not Shown	07103472	Gas Valve Assy 3/8-in	1
Not Shown	43130184	Reactor	1
Not Shown	76710287	Compressor Grommets	3
Not Shown	00183032	Compressor Overload Protector	1
Not Shown	00183031	Compressor Overload Protector	1
Not Shown	42010313	Terminal Board	1
Not Shown	3900030805	Temperature Sensors Assembly**	1

** Temperature Sensor Assembly contains Discharge, Coil, & Ambient Temperature sensors.

RIO12HP230V1AH
GWH12KF-A3DNB1A/I
12,000 Btuh 115v Indoor Unit



RIO12HP230V1AH
GWH12KF-A3DNB1A/I
12,000 Btuh 115v Indoor Unit
Product Code: CB146N12201

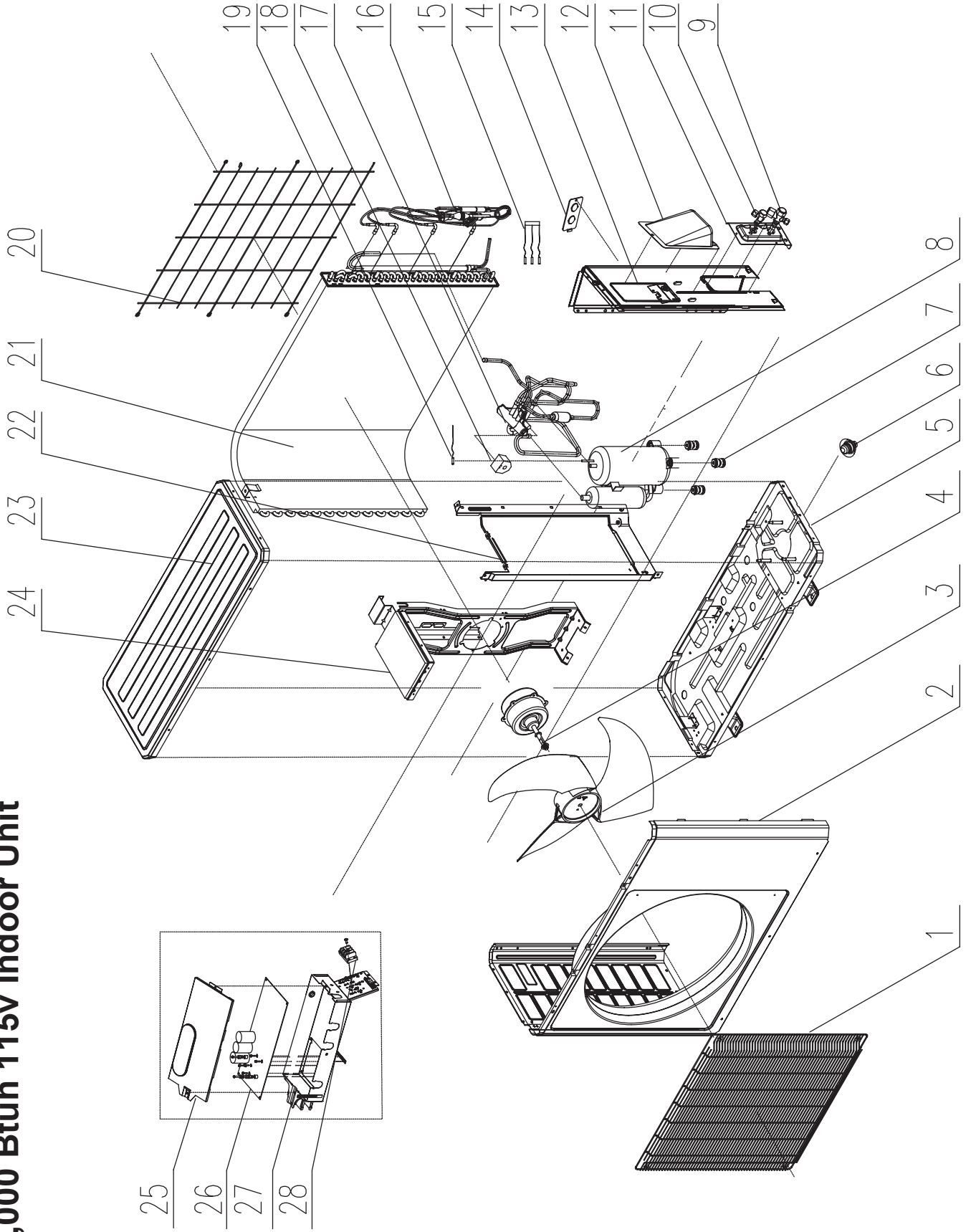
NO.	Part Code	Part Description	Qty
1	NA	Decorative Strip	1
2	20012688S	Front Panel	1
3	1112208201	Filter Sub-Assy	2
4	2001232401	Front Case	1
5	10512119	Guide Louver	1
6	10512160	Air Louver	2
7	1054202001	Shaft of Guide Louver	2
8	20012688S	Front Panel Assy	1
9	0523204101	Drainage Pipe Sub-Assy	1
10	24212108	Evaporator Coil Support	1
11	10352423	Cross Flow Fan	1
12	01002429	Evaporator Coil Assy	1
13	26112486	Helicoid Tongue	1
14	2220211904	Rear Case Assy	1
15	0125201801A	Wall Mounting Frame	1
16	20122106	Electric Control Box Cover	1
17	20402087	Electric Control Box Assy	1
18	26112191	Motor Press Plate	1
19	20122109	Electric Control Box Cover Sub-Assy	1
20	42011233	Terminal Board	1
21	73012005	Crank	1
22	1521210701	Stepper Motor	1
23	76712020	Pipe Plug (outlet)	1

NO.	Part Code	Part Description	Qty
24	20112086	Electric Control Box	1
25	1500200202	Motor Sub-Assy	1
26	NA	Baffle Plate	1
27	1501209302	Fan Motor	1
28	2001237501	Front Case Assy	1
29	305100621	Remote Control	1
Not Shown	27210071	Remote Control Holder/Cradle	1
30	NA	Line Cable	0
31	NA	Connecting Cable	0
32	24252019	Screw Cover	1
33	3014860101	Main Control Board	1
Not Shown	NA	Configeration Jumper Connector	0
34	3301000214	Capacitor	1
35	390000453	Ambient Temperature Sensor	1
Not Shown	39000305	Indoor Coil Temperature Sensor	1
36	44020386	Relay	1
37	76512210	Fan Bearing	1
38	76512011	Damping washer Sub-Assy	1
39	10542024	Axial Bushing Sub-Assy	1
40	20402094	Electric Control Box Sub-Assy	1
Not Shown	11122100	Catechin Filter	1
Not Shown	24212910	Catechin Filter Support	2
Not Shown	30568112	Display Board	1

RIO12HP115V1AO

GWH12KF-A3DNA5A/O

12,000 Btuh 115v Indoor Unit



RIO12HP115V1AO
GWH12KF-A3DNA5A/O
12,000 Btuh 115v Outdoor Unit
Product Code: CB146W0451

NO.	Part Code	Part Description	Qty
1	01473012	Front Grille	1
2	0143305801P	Cabinet	1
3	10333012	Axial Flow Fan	1
4	15013160	Fan Motor	1
5	0120388101P	Chassis Sub-assy	1
6	06123401	Drainage Connector	1
7	76710302	Compressor Grommets	3
8	00103862	Compressor and Fittings	1
9	07100003	Liquid Line Valve 1/4-in	1
10	07100005	Gas Line Valve 3/8-in	1
11	01713041	Valve Support	1
12	02123013P	Cable Cross Plate 1	1
13	013030713	Right Side Plate Assy	1
14	01413069	Wire cover	1
15	NA	NA	0

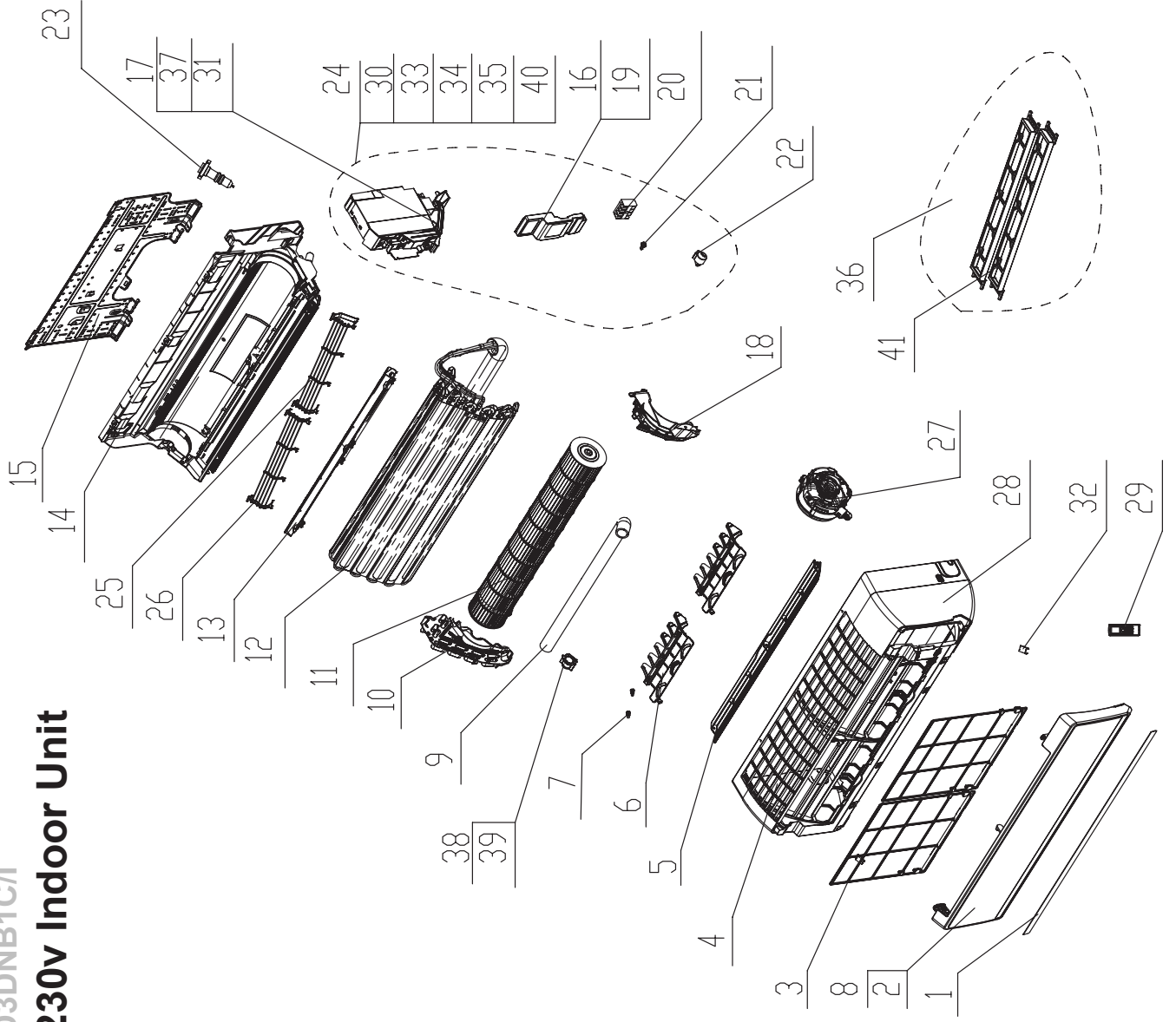
NO.	Part Code	Part Description	Qty
16	03143664	Capillary Assy	1
17	03123981	4-Way Valve Assy	1
18	4300040021	Magnet Coil	1
19	39000310	Temperature Sensors Assembly**	1
20	01473057	Rear Grille	1
21	01163685	Condenser Coil Assy	1
22	01233198	Clapboard Coil Sub-Assy	1
23	01253443	Top Cover Plate	1
24	0170500101	Motor Support	1
25	0260309601	Electric Control Box Cover Sub-Assy	1
26	3013810801	Main Control Board	1
27	02613287	Electric Control Box Assy	1
28	42010313	Terminal Board	1
29	02123014P	Cable Cross Plate 2	1

** Temperature Sensor Assembly contains Discharge, Coil, & Ambient Temperature sensors.

RIO12HP230V1AH

GWH12KF-D3DNB1C/I

12,000 Btuh 208/230v Indoor Unit



RIO12HP230V1AH
GWH12KF-D3DNB1C/I
12,000 Btuh 208/230v Indoor Unit
Product Code: CB146N22800

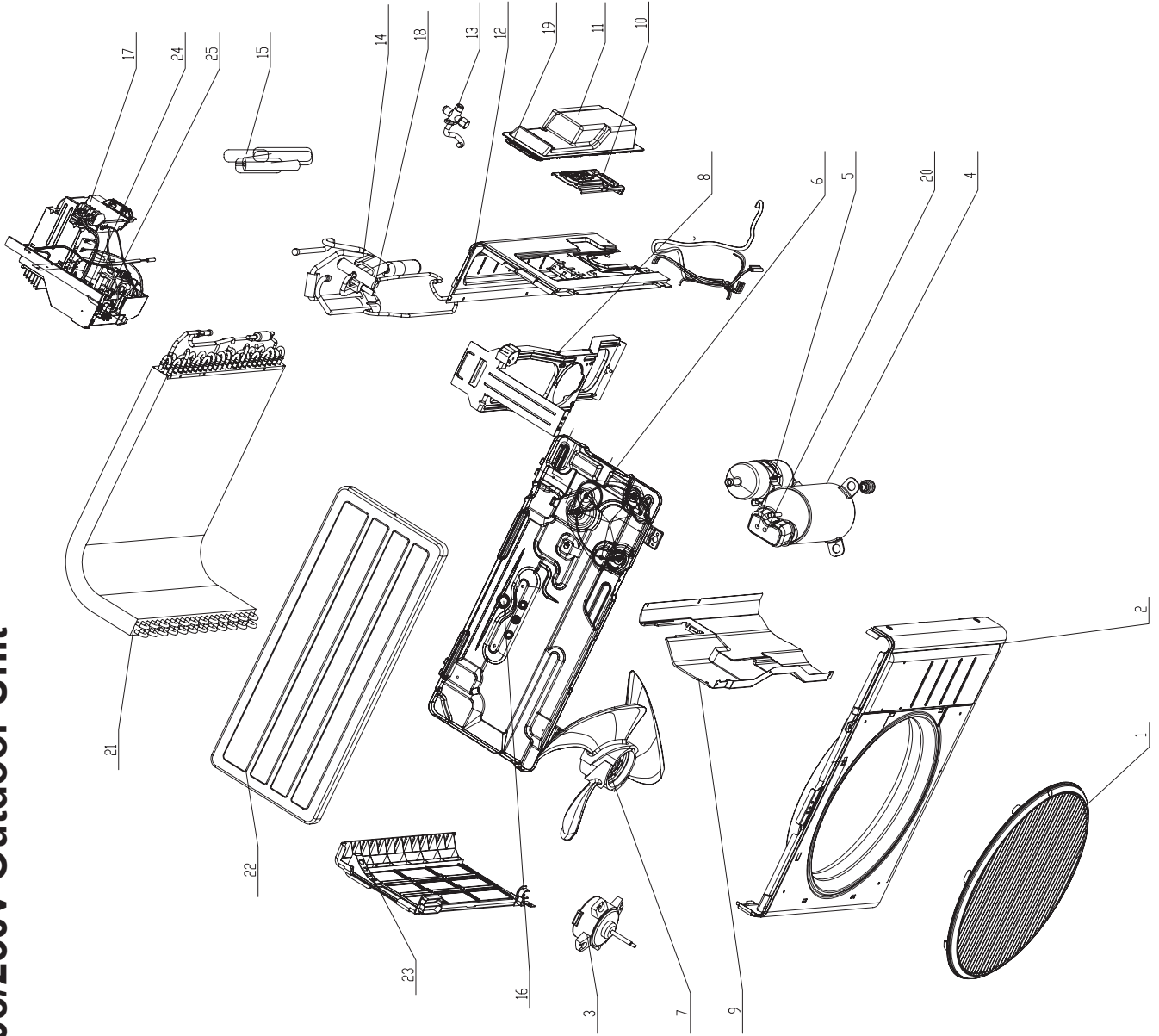
NO.	Part Code	Part Description	Qty
1	NA	Decorative Strip	1
2	20012688S	Front Panel	1
3	1112208201	Filter Sub-Assy	2
4	NA	Front Case	1
5	10512119	Guide Louver	1
6	10512160	Air Louver	2
7	1054202001	Shaft of Guide Louver	2
8	NA	Front Panel Assy	1
9	0523204101	Drainage Pipe Sub-assy	1
10	24212108	Evaporator Coil Support	1
11	10352423	Cross Flow Fan	1
12	01002745	Evaporator Coil Assy	1
13	26112486	Helicoid Tongue	1
14	2220211902	Rear Case Assy	1
15	0125201801A	Wall Mounting Frame	1
16	2012210601	Electric Control Box Cover	1
17	20302589	Electric Control Box Assy	1
18	26112191	Motor Press Plate	1
19	NA	Electric Control Box Cover Sub-Assy	1
20	42011233	Terminal Board	1
21	73012005	Crank	1
22	1521210701	Stepper Motor	1

NO.	Part Code	Part Description	Qty
23	76712020	Pipe Plug (outlet)	1
24	20112086	Electric Control Box	1
25	11002001	Rear Grille Sub-Assy 2	1
26	24212911	Rear grill Sub-Assy	1
27	1501209301	Fan Motor	1
28	2001237501	Front Case Assy	1
29	305100621	Remote Control	1
Not Shown	27210071	Remote Control Holder/Cradle	1
30	NA	Configeration Jumper Connector	0
31	22242084	Indicator Light Cover	1
32	1592074	Shield Cover	1
33	301484411	Main Control Board	1
34	3301000213	Capacitor CBB61	1
35	390000453	Ambient Temperature Sensor	1
36	11122100	Catechin Filter Sub-Assy	1
37	22242083	Indicator Shield Cover	1
38	76512011	Damping washer Sub-Assy	1
39	10542024	Axial Bushing Sub-Assy	1
40	20302637	Electric Control Box Sub-Assy	1
41	24212910	Catechin Filter Support	2
Not Shown	390000305	Indoor Coil Temperature Sensor	1

RIO12HP230V1AO

GWH12KF-D3DNA5C/O

12,000 Btuh 208/230v Outdoor Unit



RIO12HP230V1AO
GWH12KF-D3DNA5C/O
12,000 Btuh 208/230v Outdoor Unit
Product Code: CB146W18700

NO.	Part Code	Part Description	Qty
1	1473051	Front Grille	1
2	01433061	Cabinet Sub-assy	1
3	1501307301	Fan Motor	1
4	00103869G	Compressor and Fittings	1
5	180030	Compressor Overload Protector(External)	1
6	0280309801P	Chassis Sub-Assy	1
7	1033300901	Axial Flow Fan Sub-Assy	1
8	01703122	Motor Support	1
9	1233088	Clapboard	1
10	1713089	Valve Support	1
11	26233044	Handle	1
12	130318001	Right Side Plate Sub-Assy	1
13	7133689	Cut off Valve Assy 1/4-in	1
14	03123900	4-Way Valve Assy	1
15	03063984	Capillary Sub-assy	1
16	6123024	Drainage Joint	1
17	02613063	Electric Control Box Assy	1
18	4300040056	Magnet Coil	1

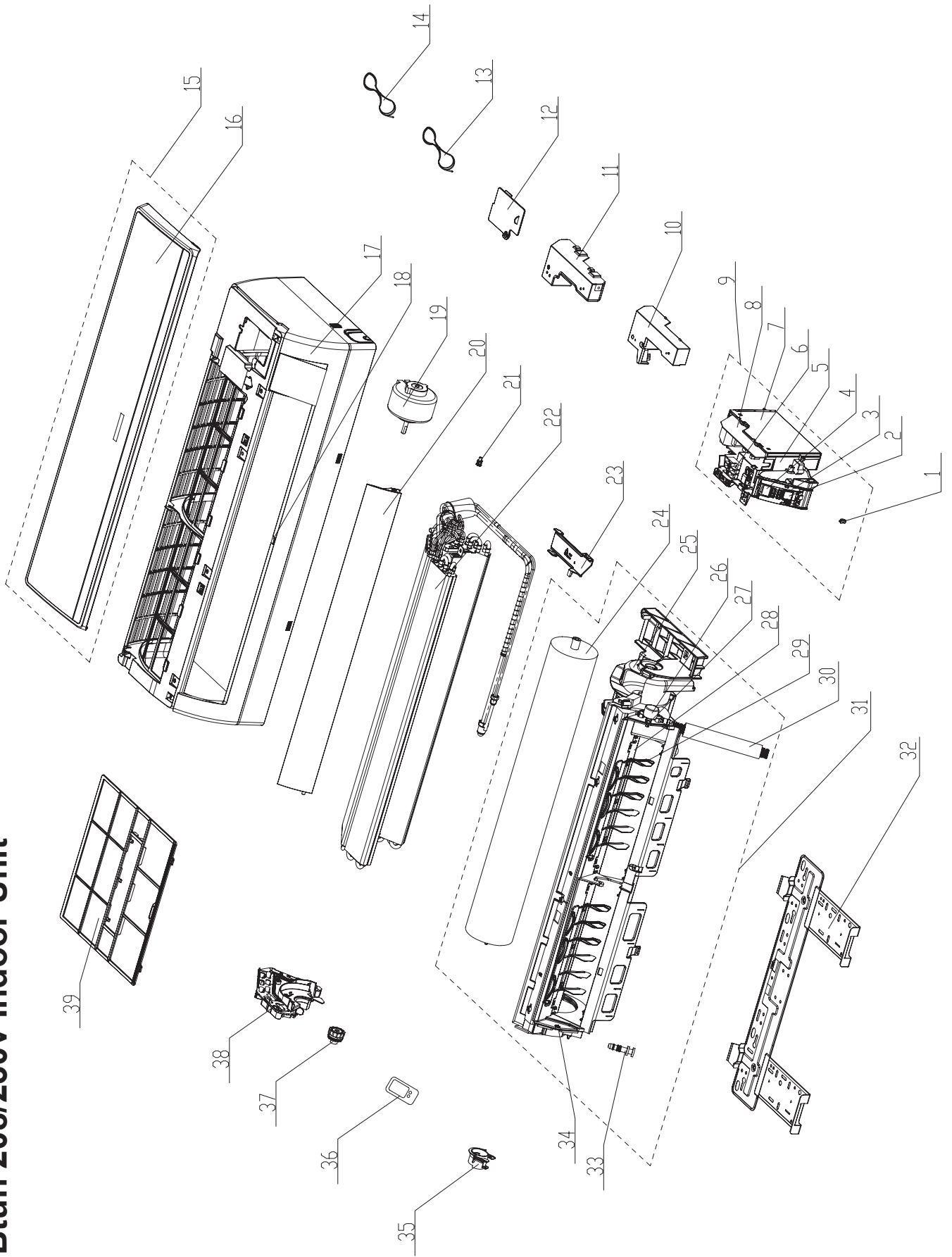
NO.	Part Code	Part Description	Qty
19	NA	Thermal Baffle	1
20	NA	Terminal cap	1
21	01113501	Condenser Coil Assy	1
22	1253071	Top Cover Sub-Assy	1
23	20053001	Left Side Plate	1
24	30148397	Main Control Board	1
25	02613098	Electric Control Box Sub-Assy	1
Not Shown	43130184	Reactor	1
Not Shown	07103472	Gas Valve Assy 3/8-in	1
Not Shown	76513004	Electrical Heater(Compressor)	1
Not Shown	430004022	4-Way Valve	1
Not Shown	42010313	Terminal Board	1
Not Shown	00183032	Compressor Overload Protector	1
Not Shown	00183031	Compressor Overload Protector	1
Not Shown	3900030805	Temperature Sensors Assembly**	1
Not Shown	30033081	Filter Board	1
Not Shown	76710287	Compressor Grommets	3

** Temperature Sensor Assembly contains Discharge, Coil, & Ambient Temperature sensors.

RIO18HP230V1AH

GWH18KG-D3DNB1C/I

18,000 Btuh 208/230v Indoor Unit



RIO18HP230V1AH
GWH18KG-D3DNB1C/I
18,000 Btuh 208/230v Indoor Unit
 Product Code: CB146N22200

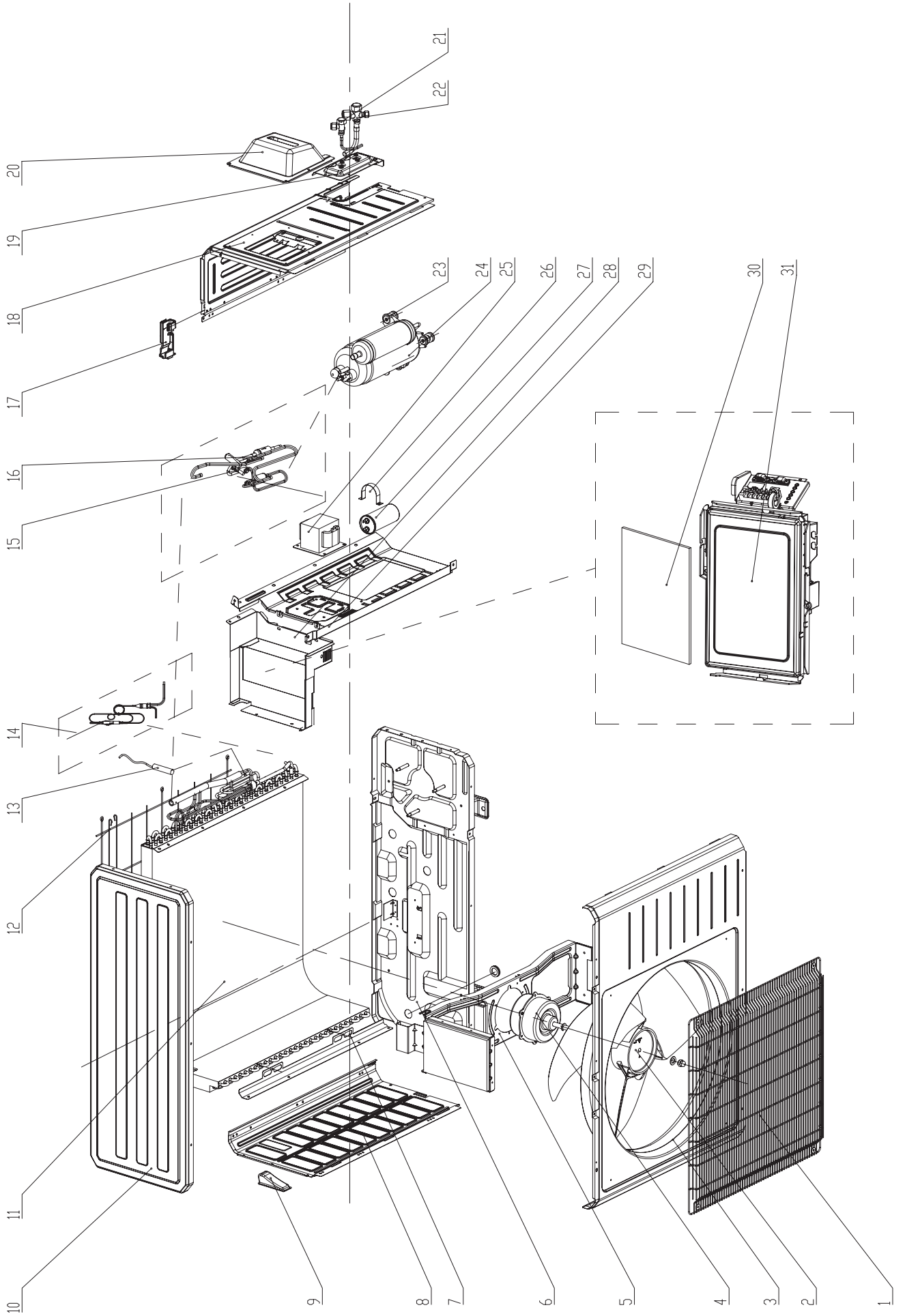
NO.	Part Code	Part Description	Qty
1	4202300118	Configuration Jumper Connector	1
2	22242083	Indicator Shield Cover	1
3	22242084	Indicator Light Cover	1
4	30568112	Display Board	1
5	2011210301	Electric Control Box	1
6	42011233	Terminal Board	1
7	01592087	Electric Control Box Shield Cover	1
8	30138509	Main Control Board	1
9	20202339	Electric Control Box Assy	1
10	2012212301	Electric Control Box Cover	1
11	01592088	Shield Cover of Electric Control Box Cover	1
12	2012214202	Electric Control Box Cover2	1
13	NA	Line Cable	0
14	NA	Connecting Cable	0
15	20012676S	Front Panel B1	1
16	NA	Front Panel Assy	1
17	20012497	Front Case Assy	1
18	242520041	Screw Cover	1
19	1501211601	Fan Motor	1
20	10512140	Guide Louver	1
21	10542036	Axial Bushing	1

NO.	Part Code	Part Description	Qty
22	01002325	Evaporator Coil Assy	1
23	26112164	Connecting Pipe Clamp	1
24	10352036	Cross Flow Fan	1
25	26112231	Motor Press Plate	1
26	15012086	Stepper Motor	1
27	10582070	Crank	1
28	26112232	Helicoid Tongue	1
29	10512160	Air Louver	2
30	523001407	Drainage Pipe	1
31	22202154	Rear Case Assy	1
32	01252484	Wall Mounting Frame	1
33	76712012	Water Dray Plug	1
34	10512037	Left Axial Bushing	1
35	26152022	Bearing Ring	1
36	305100621	Remote Control	1
Not Shown	27210071	Remote Control Holder/Cradle	1
37	76512051	Bearing O-Gasket Sub-Assy	1
38	24212119	Evaporator Coil Support	1
39	11122104	Filter Sub-Assy	2
Not Shown	390000453	Ambient Temperature Sensor	1
Not Shown	390000632	Indoor Coil Temperature Sensor	1

RIO18HP230V1AO

GWH18KG-D3DNA5C/O

18,000 Btuh 208/230v Outdoor Unit



RIO18HP230V1AO
GWH18KG-D3DNA5C/O
18,000 Btuh 208/230v Outdoor Unit
 Product Code: CB146W17300

NO.	Part Code	Part Description	Qty
1	01473049	Front Grille	1
2	10335008	Axial Flow Fan	1
3	01433047P	Cabinet	1
4	1501506302	Fan Motor	1
5	01705020	Motor Support Sub-Assy	1
6	02803066P	Chassis Sub-Assy	1
7	01795010	Supporting board(condenser)	1
8	01305093P	Left Side Plate	1
9	26235401	Left Handle	1
10	01255005P	Top Cover	1
11	01163465	Condenser Coil Assy	1
12	01473043	Rear Grille	1
13	3900030901	Temperature Sensors Assembly**	1
14	03063947	Capillary Sub-Assy	1
15	4300040045	Magnet Coil(4-way Valve)	1
16	03123884	4-Way Valve Assy	1
17	26115004	Wiring Clamp	1
18	0130509403P	Right Side Plate	1
19	01715010P	Valve Support Assy	1
20	02113109	Handle Assy	1
21	07133472	Cut off Valve Sub-Assy 1/4-in	1

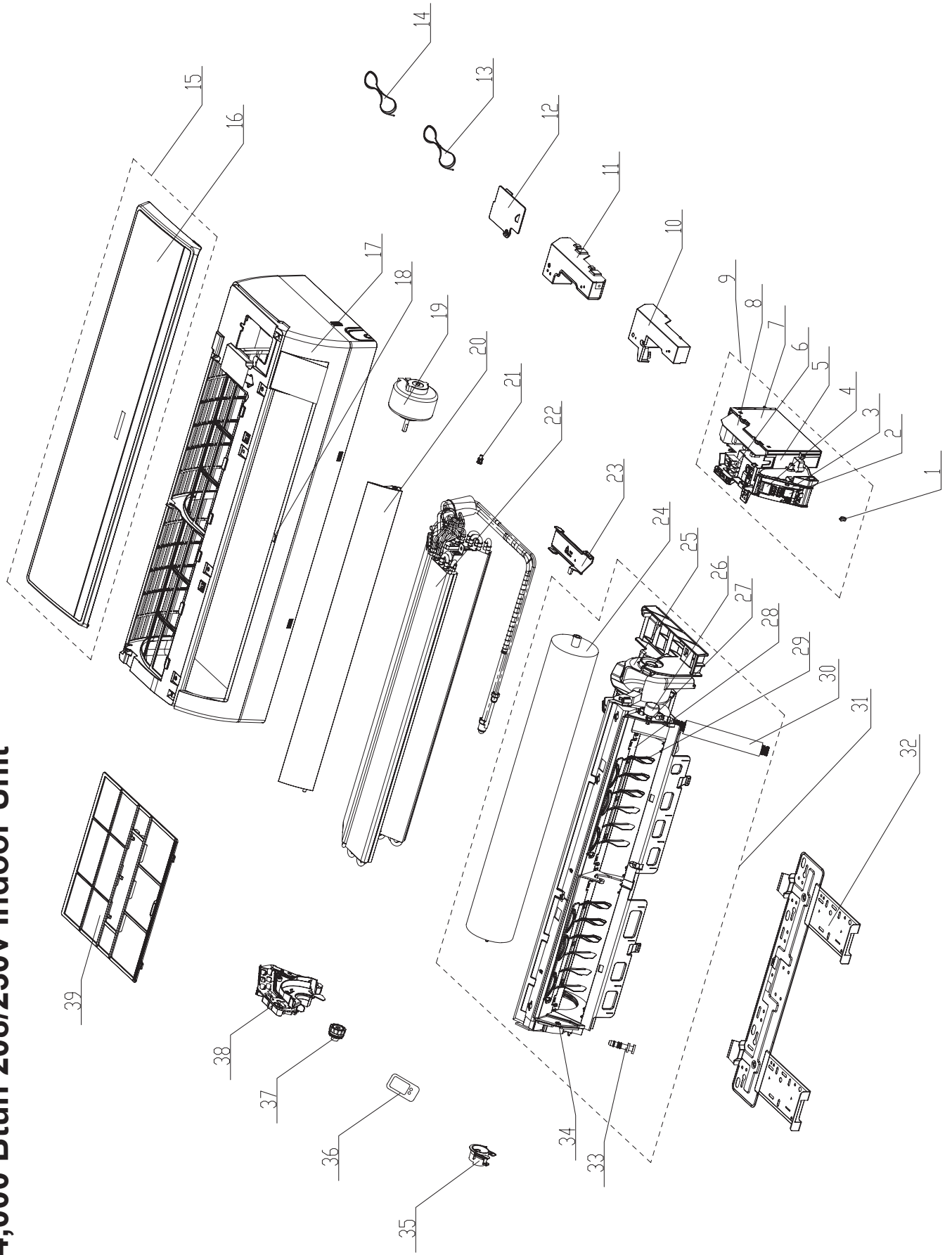
NO.	Part Code	Part Description	Qty
22	07133060	Cut off Valve Sub-Assy 1/2-in	1
23	76715021	Compressor Grommets	3
24	00205262	Compressor and Fittings	1
25	43130021	Reactor	1
26	01413098	Capacitor Clamp Sub-Assy	1
27	33000065	Capacitor CBB65	1
28	01413148	Electric Control Box (Fireproofing)	1
29	01232902	Clapboard Sub-Assy	1
30	20113003	Insulating Plate of Electric Control Box Cover	1
31	02613035	Electric Control Box Assy	1
Not Shown	33010010	Capacitor CBB61	1
Not Shown	430004032	4-Way Valve	1
Not Shown	071302392	Valve 1/2-Inch	1
Not Shown	07130239	Cut-off Valve	1
Not Shown	39000072	Low Ambient Tube Temperature Sensor	1
Not Shown	301483641	Main Control Board	1
Not Shown	02113032P	Handle Assy	1
Not Shown	00183043	Compressor Overload Protector(External)	1
Not Shown	42010255	Terminal Board	1

** Temperature Sensor Assembly contains Discharge, Coil, & Ambient Temperature sensors.

RIO24HP230V1AH

GWH24KG-D3DNB1A/I

24,000 Btuh 208/230v Indoor Unit



RIO24HP230V1AH
GWH24KG-D3DNB1A/I
24,000 Btuh 208/230v Indoor Unit
 Product Code: CB146N23500

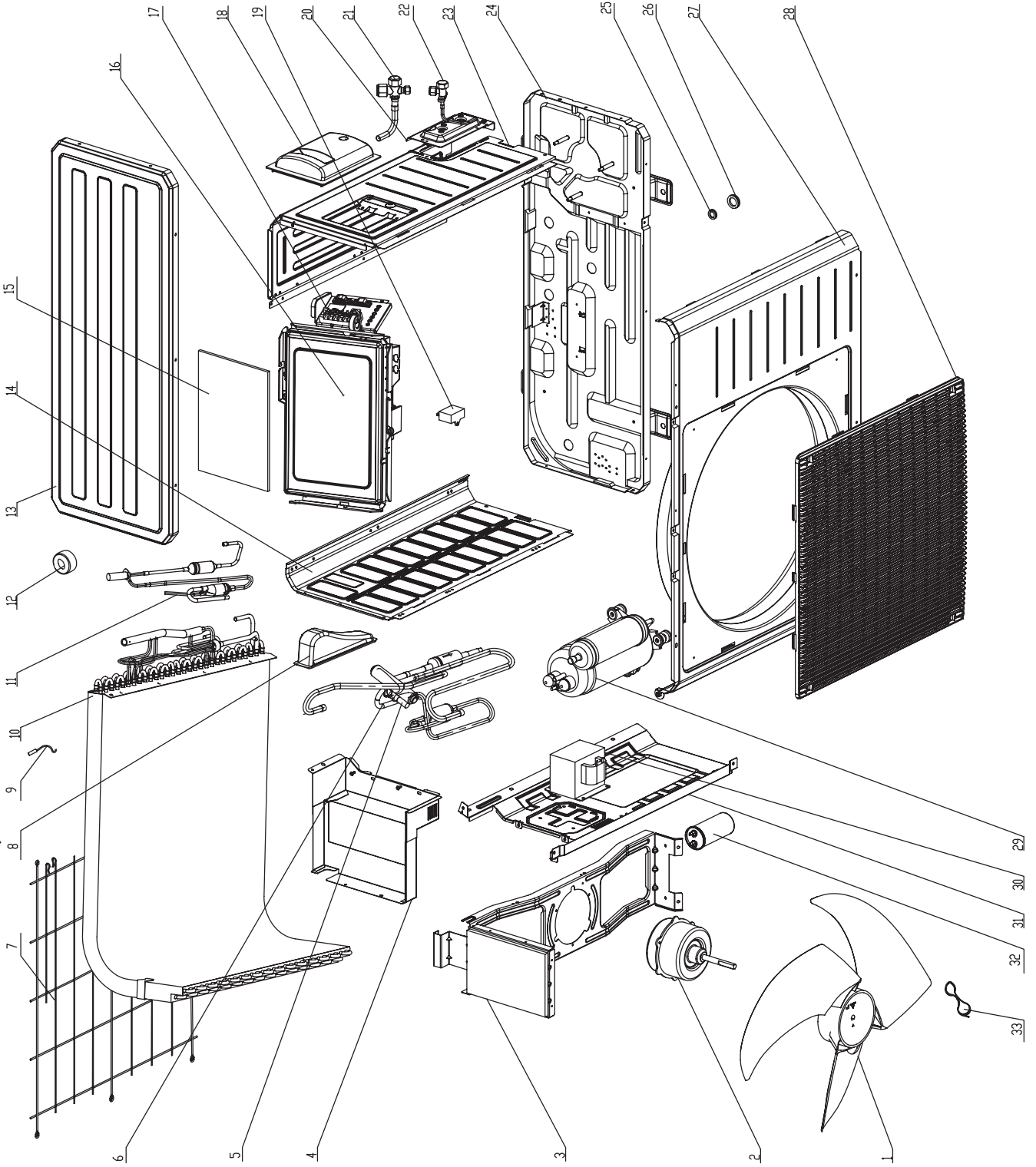
NO.	Part Code	Part Description	Qty
1	4202300121	Configuration Jumper Connector	1
2	22242083	Indicator Shield Cover	1
3	22242084	Indicator Light Cover	1
4	30568112	Display Board	1
5	2011210301	Electric Control Box	1
6	42011233	Terminal Board	1
7	01592087	Electric Control Box Shield Cover	1
8	30138517	Main Control Board	1
9	2020230202	Electric Control Box Assy	1
10	2012212301	Electric Control Box Cover	1
11	01592088	Electric Control Box Shield Cover	1
12	2011208103	Electric Control Box Cover2	1
13	NA	Line Cable	0
14	NA	Connecting Cable	0
15	20012659S	Front Panel	1
16	NA	Front Panel Assy	1
17	2001251401	Front Case Assy	1
18	24252016	Screw Cover	3
19	1501209801	Fan Motor	1
20	10512138	Guide Louver	1
21	10542036	Axial Bushing	1

NO.	Part Code	Part Description	Qty
22	01002269	Evaporator Coil Assy	1
23	26112188	Connecting Pipe Clamp	1
24	10352030	Cross Flow Fan	1
25	26112316	Motor Press Plate	1
26	1521300101	Stepper Motor	1
27	10582070	Crank	1
28	26112229	Helicoid Tongue	1
29	10512139	Air Louver	3
30	0523001405	Drainage Pipe	1
31	2220215701	Rear Case Assy	1
32	01252032	Wall Mounting Frame	1
33	76712012	Drainage Tray Plug	1
34	10512037	Left Axial Bushing	1
35	26152025	Bearing Ring	1
36	305100621	Remote Control	1
Not Shown	27210071	Remote Control Holder/Cradle	1
37	76512051	Bearing O-Gasket Sub-Assy	1
38	24212103	Evaporator Coil Support	1
39	11122091	Filter Sub-Assy	2
Not Shown	390000453	Ambient Temperature Sensor	1
Not Shown	390000591	Indoor Coil Temperature Sensor	1

RIO24HP230V1AO

GWH24KG-D3DNA5A/O(LG)

24,000 Btuh 208/230v Outdoor Unit



RIO24HP230V1AO
GWH24KG-D3DNA5A/O(LC)
24,000 Btuh 208/230v Outdoor Unit
 Product Code: CB146W0141

NO.	Part Code	Part Description	Qty
1	10335008	Axial Flow Fan	1
2	1501506302	Fan Motor	1
3	01705020	Motor Support Sub-Assy	1
4	01413148	Electric Control Box (Fireproofing)	1
5	4300040045	Magnet Coil(4-way Valve)	1
6	03123969	4-Way Valve Assy	1
7	01473043	Rear Grille	1
8	26235401	Left Handle	1
9	3900030901	Temperature Sensors Assembly**	1
10	0111338603	Condenser Coil Assy	1
11	07133556	Electronic Expansion Valve	1
12	4300876704	Electric Expand Valve Fitting	1
13	01255005P	Top Cover	1
14	01305093P	Left Side Plate	1
15	20113003	Insulating Plate	1
16	02613272	Electric Control Box Assy	1
17	42010255	Terminal Board	1
18	02113109	Handle Assy	1
19	33010010	Capacitor CBB61	1

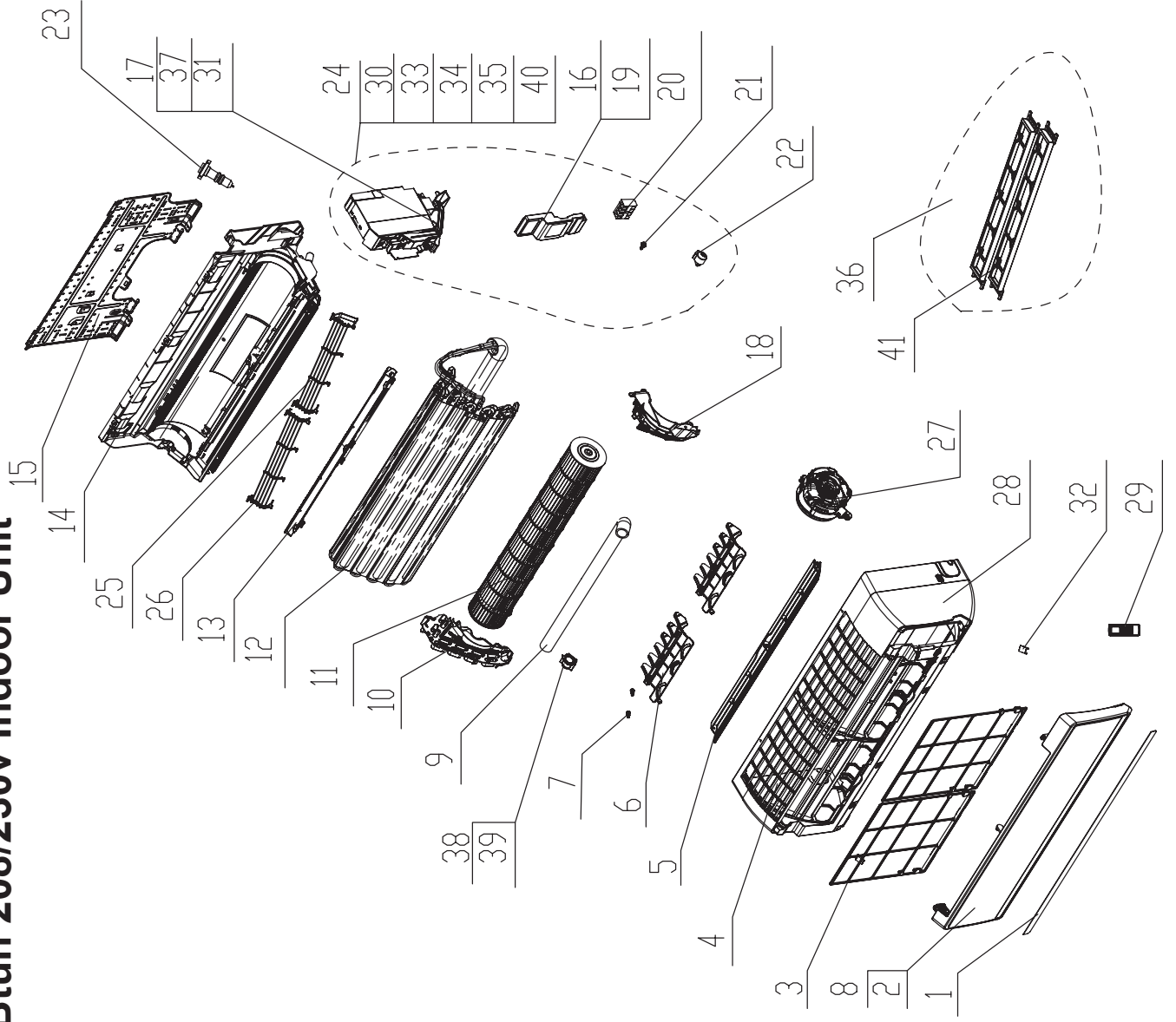
NO.	Part Code	Part Description	Qty
20	01715010P	Valve Support Assy	1
21	07133060	Cut Off Valve Sub-Assy 1/2-in	1
22	07133058	Cut-Off valve Sub-Assy 1/4-in	1
23	0130509403P	Right Side Plate	1
24	0280305701P	Chassis Sub-Assy	1
25	06123401	Drainage Connector	1
26	06813401	Drainage Hole Cap	3
27	01433047P	Cabinet	1
28	01473049	Front Grille	1
29	00103501	Compressor And Fittings C-6RZ146H1A	1
30	43130021	Reactor	1
31	01232902	Clapboard Sub-Assy	1
32	33000065	Capacitor	1
33	NA	Air Louver 2	0
Not Shown	071302392	Valve 1/2-Inch	1
Not Shown	07130239	Cut-off Valve 1/4-Inch	1
Not Shown	39000072	Low Ambient Tube Temperature Sensor	1
Not Shown	301483642	Main Control Board	1

** Temperature Sensor Assembly contains Discharge, Coil, & Ambient Temperature sensors.

RIO09AC230V1AH

GWC09KF-D3DNB1C/I

Cooling Only 9,000 Btuh 208/230v Indoor Unit



RIO09AC230V1AH

GWC09KF-D3DNB1C/I

Cooling Only 9,000 Btuh 208/230v Indoor Unit

Product Code: CB146N21700_K78057

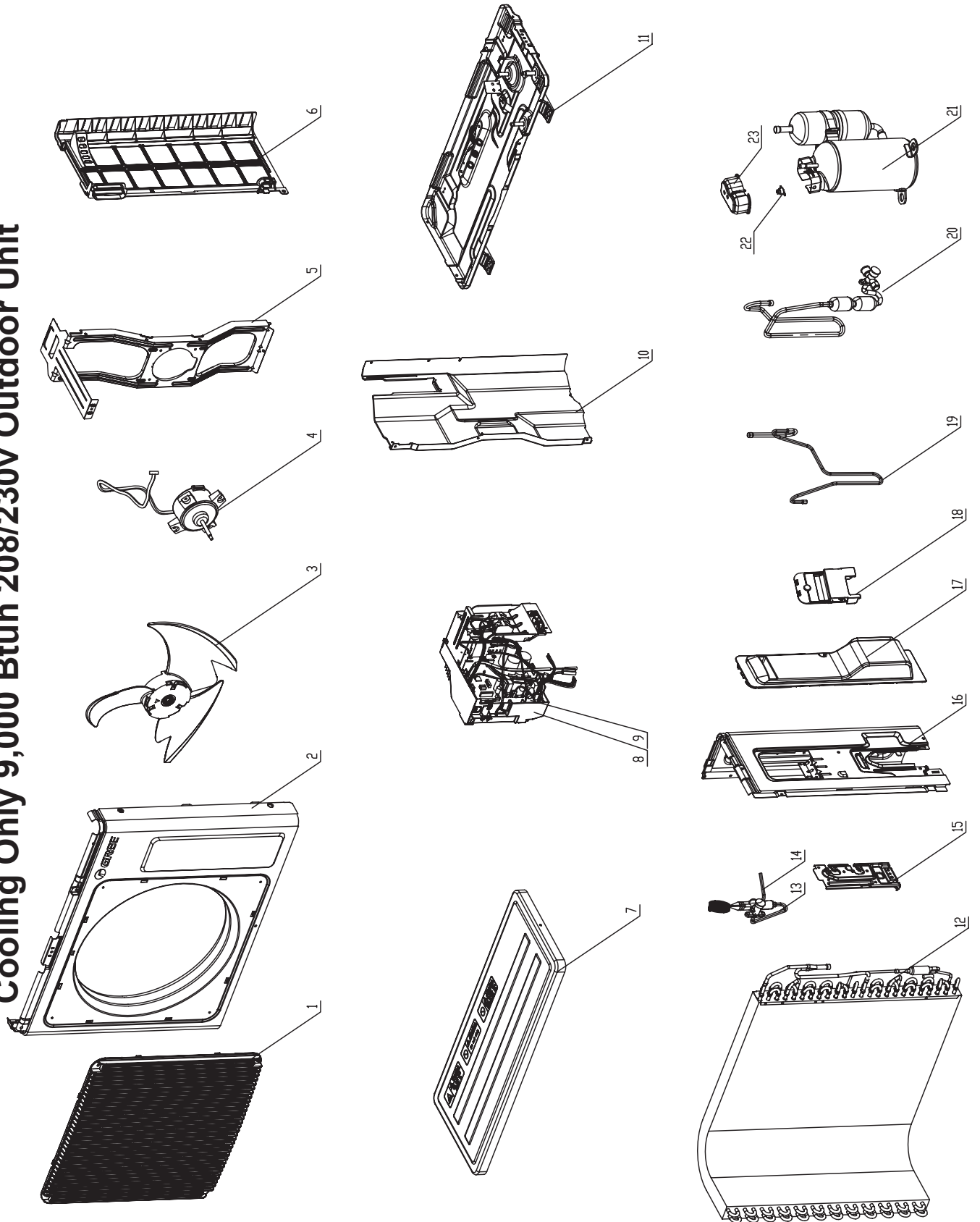
NO.	Part Code	Part Description	Qty
1	NA	Decorative Strip	0
2	20012688S	Front Panel	1
3	1112208201	Filter Sub-Assy	2
4	2001232401	Front Case	1
5	10512119	Guide Louver	1
6	10512160	Air Louver	2
7	1054202001	Guide Louver Shaft	2
8	NA	Front Panel Sub-Assy	0
9	0523204101	Drainage Pipe Sub-assy	1
10	24212108	Evaporator Coil Support	1
11	10352423	Cross Flow Fan	1
12	01002270	Evaporator Coil Assy	1
13	26112486	Helicoid Tongue	1
14	2220211902	Rear Case Assy	1
15	0125201801A	Wall Mounting Frame	1
16	2012210601	Electric Control Box Cover	1
17	20302586	Electric Control Box Assy	1
18	26112191	Motor Press Plate	1
19	01402058	Electric Control Box Cover Sub-Assy	1
20	42011233	Terminal Board	1
21	73012005	Crank	1
22	1521210701	Stepper Motor	1

NO.	Part Code	Part Description	Qty
23	76712020	Pipe Plug (outlet)	1
24	20112086	Electric Control Box	1
25	11002001	Rear Grille Sub-Assy 2	1
26	24212911	Rear Grille Sub-Assy	1
27	1501209301	Fan Motor	1
28	2001237501	Front Case Assy	1
29	305100621	Remote Control	1
Not Shown	27210071	Remote Control Holder/Cradle	1
30	NA	Configuration Jumper Connector	0
31	22242084	Indicator Light Cover	1
32	24252019	Screw Cover	1
33	301484401	Main Control Board	1
34	3301000213	Capacitor CBB61	1
35	390000453	Ambient Temperature Sensor	1
36	11122100	Catechin Filter Sub-Assy	1
37	22242083	Indicator Shield Cover	1
38	76512011	Damping Washer Sub-Assy	1
39	10542024	Axile Bush Sub-Assy	1
40	20302634	Electric Control Box Sub-Assy	1
41	24212910	Support of Catechin Filter	2
Not Shown	390000305	Indoor Coil Temperature Sensor	1
Not Shown	30568010	Display Board	1

RIO09AC230V1AO

GWC09KF-D3DNA5C/O

Cooling Only 9,000 Btuh 208/230v Outdoor Unit



RIO09AC230V1AO

GWC09KF-D3DNA5C/O

Cooling Only 9,000 Btuh 208/230v Outdoor Unit

Product Code: CB146W18402_K78057

NO.	Part Code	Part Description	Qty
1	01473051	Front Grille	1
2	0143304401P	Cabinet	1
3	1033300901	Axial Flow Fan Sub-Assy	1
4	1501307301	Fan Motor	1
5	0170312201	Motor Support	1
6	20053001	Left Side Plate	1
7	01253071	Top Cover Sub-Assy	1
8	02613060	Electric Control Box Assy	1
9	30148392	Main Control Board	1
10	01233088	Clapboard	1
11	0280309801P	Chassis Sub-Assy	1
12	01113463	Condenser Coil Assy	1
13	07133692	Cut-Off Valve Assy 1/4 -in	1

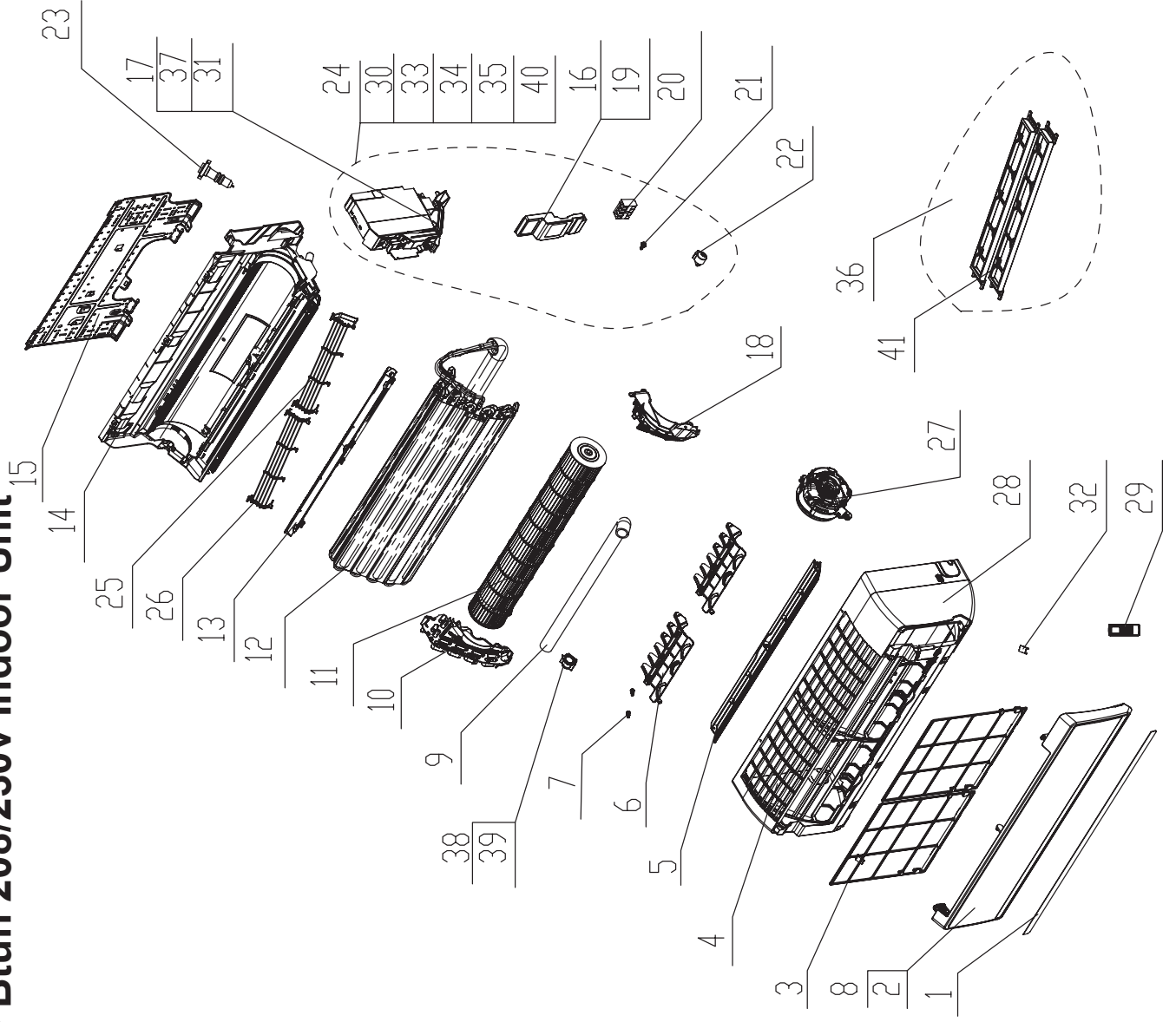
NO.	Part Code	Part Description	Qty
14	03063983	Capillary Sub-Assy	1
15	01713089	Valve Support	1
16	0130318001	Right Side Plate Sub-Assy	1
17	26233044	Handle	1
18	NA	Thermal Baffle	1
19	03813671	Discharge Tube	1
20	07133695	Cut-Off Valve Sub-Assy 3/8-in	1
21	00103869G	Compressor and Fittings	1
22	00180030	Compressor Overload Protector(External)	1
23	NA	Terminal Cap	1
Not Shown	76710287	Compressor Grommets	3
Not Shown	3900030805	Temperature Sensors Assembly**	1

** Temperature Sensor Assembly contains Discharge, Coil, & Ambient Temperature sensors.

RIO12AC230V1AH

GWC12KF-D3DNB1C/I

Cooling Only 12,000 Btuh 208/230v Indoor Unit



RIO12AC230V1AH
GWC12KF-D3DNB1C/I
Cooling Only 12,000 Btuh 208/230v Indoor Unit
Product Code: CB146N21500_K78057

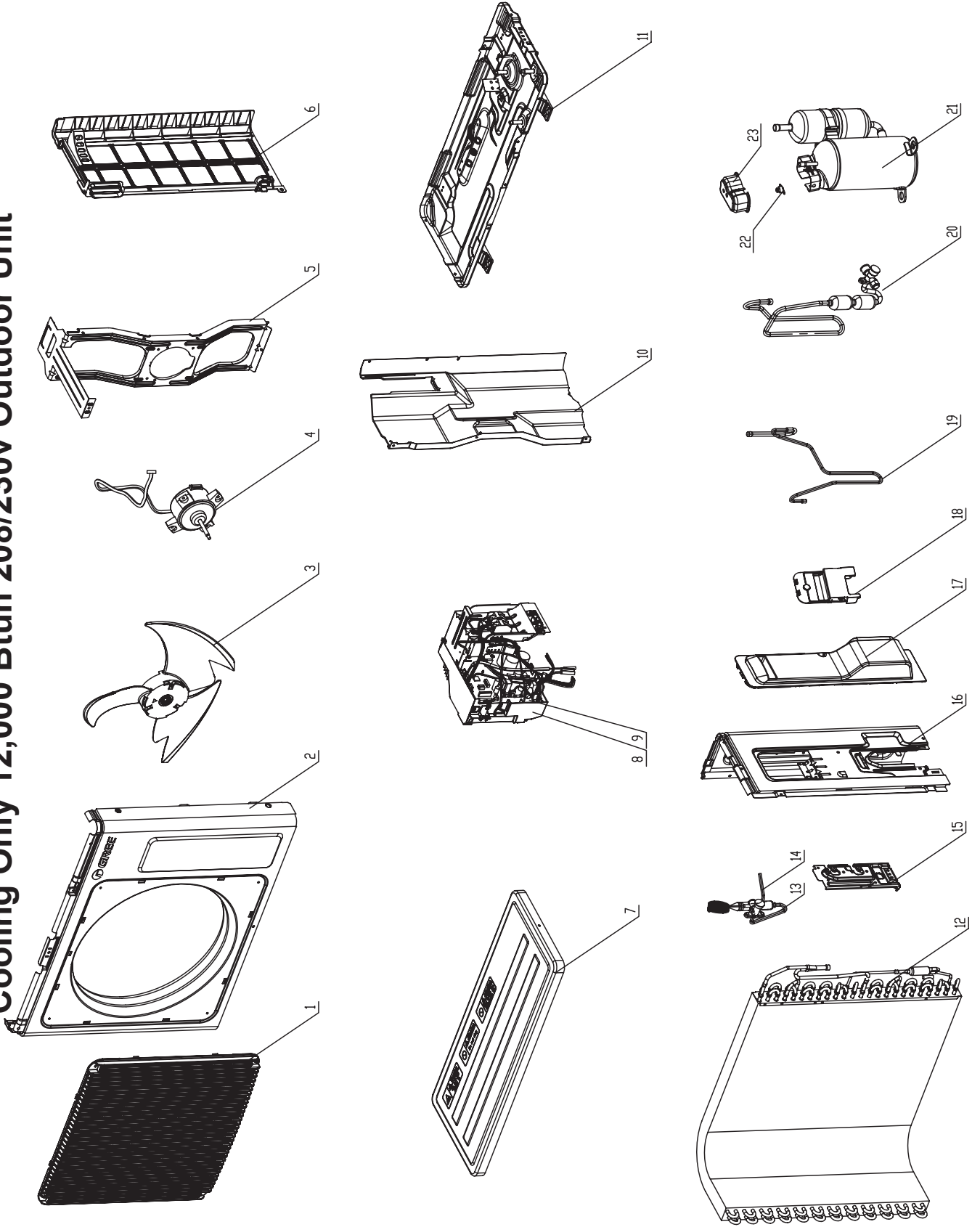
NO.	Part Code	Part Description	Qty
1	NA	Decorative Strip	1
2	20012688S	Front Panel	1
3	1112208201	Filter Sub-Assy	2
4	2001232401	Front Case	1
5	10512119	Guide Louver	1
6	10512160	Air Louver	2
7	1054202001	Shaft of Guide Louver	2
8	NA	Front Panel Sub-Assy	1
9	0523204101	Drainage Pipe Sub-assy	1
10	24212108	Evaporator Coil Support	1
11	10352423	Cross Flow Fan	1
12	01002745	Evaporator Assy	1
13	26112486	Helicoid Tongue	1
14	2220211902	Rear Case Assy	1
15	0125201801A	Wall Mounting Frame	1
16	2012210601	Electric Control Box Cover	1
17	20302588	Electric Control Box Assy	1
18	26112191	Motor Press Plate	1
19	01402058	Electric Box Cover Sub-Assy	1
20	42011233	Terminal Board	1
21	73012005	Crank	1
22	1521210701	Stepper Motor	1

NO.	Part Code	Part Description	Qty
23	76712020	Pipe Plug (outlet)	1
24	2011208601	Electric Control Box	1
25	11002001	Rear Grille Sub-Assy 2	1
26	24212911	Rear Grille Sub-Assy	1
27	1501209301	Fan Motor	1
28	2001237501	Front Case Assy	1
29	305100621	Remote Control	1
Not Shown	27210071	Remote Control Holder/Cradle	1
30	NA	Configration Jumper Connector	0
31	22242084	Indicator Light Cover	1
32	24252019	Screw Cover	1
33	301484421	Main Control Board	1
34	3301000213	Capacitor CBB61	1
35	390000453	Ambient Temperature Sensor	1
36	11122100	Catechin Filter Sub-Assy	1
37	22242083	Indicator Shield Cover	1
38	76512011	Damping Washer Sub-Assy	1
39	10542024	Axial Bushing Aub-Assy	1
40	20302636	Electric Control Box Sub-Assy	1
41	24212910	Catechin Filter Support	2
Not Shown	390000305	Indoor Coil Temperature Sensor	1

RIO12AC230V1AO

GWC12KF-D3DNA5C/O

Cooling Only 12,000 Btuh 208/230v Outdoor Unit



RIO12AC230V1AO
GWC12KF-D3DNA5C/O
Cooling Only 12,000 Btuh 208/230v Outdoor Unit
Product Code: CB146W18402_K78057

NO.	Part Code	Part Description	Qty
1	01473051	Front Grille	1
2	01433061	Cabinet Sub-Assy	1
3	1033300901	Axial Flow Fan Sub-Assy	1
4	1501307301	Fan Motor	1
5	01703122	Motor Support	1
6	20053001	Left Side Plate	1
7	0125304001	Top Cover Sub-Assy	1
8	02613062	Electric Box Assy	1
9	30148390	Main Control Board	1
10	01233088	Clapboard	1
11	0280309801P	Chassis Sub-Assy	1
12	01113501	Condenser Coil Assy	1
13	07133693	Cut-Off Valve Assy 1/4-in	1
14	03063990	Capillary Sub-Assy	1

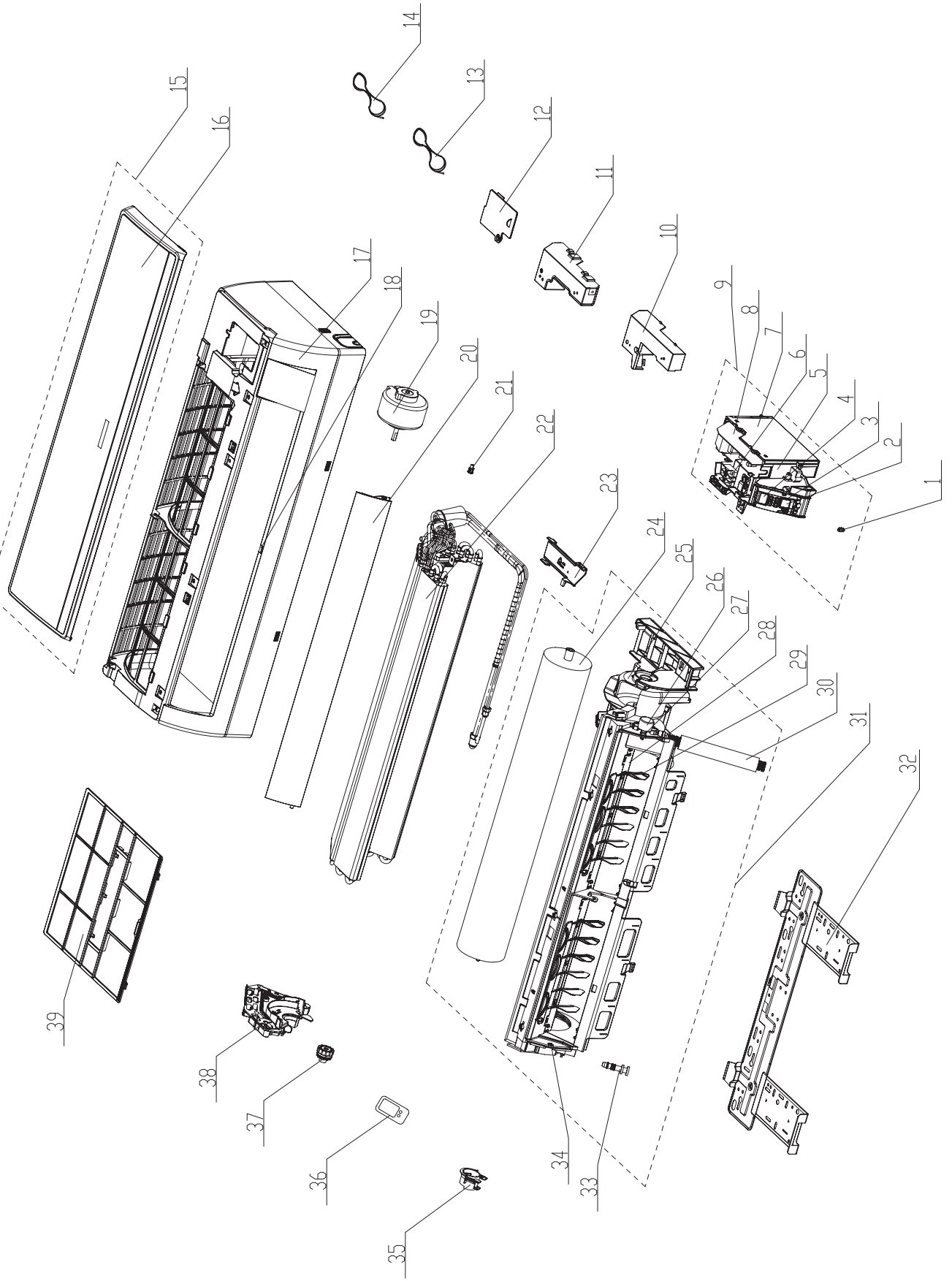
NO.	Part Code	Part Description	Qty
15	01713089	Valve Support	1
16	0130318001	Right Side Plate Sub-Assy	1
17	26233044	Handle	1
18	NA	Thermal baffle	0
19	03813670	Discharge Tube	1
20	07133695	Cut off Valve Sub-Assy 3/8-in	1
21	001038869G	Compressor and Fittings	1
22	00180030	Compressor Overload Protector(External)	1
23	NA	Terminal Cap	0
Not Shown	3900030805	Temperature Sensors Assembly**	1
Not Shown	30033081	Filter Board	1
Not Shown	76710287	Compressor Grommets	3

** Temperature Sensor Assembly contains Discharge, Coil, & Ambient Temperature sensors.

RIO18AC230V1AH

GWC18KG-D3DNB1C/I

Cooling Only 18,000 Btuh 208/230v Indoor Unit



RIO18AC230V1AH

GWC18KG-D3DNB1C/I

Cooling Only 18,000 Btuh 208/230v Indoor Unit

Product Code: CB146N21600_K78057

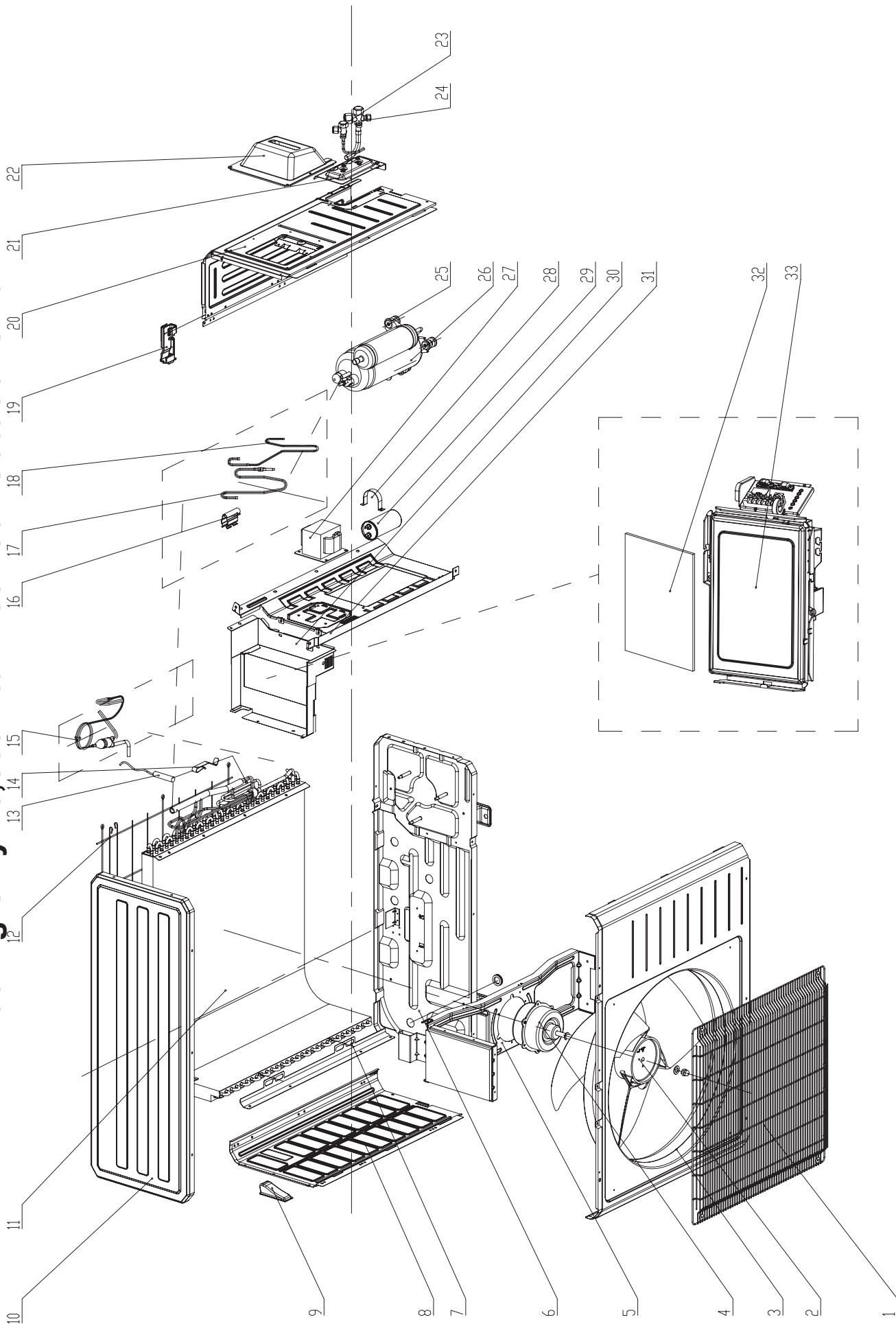
NO.	Part Code	Part Description	Qty
1	4202300118	Configuration Jumper Connector	1
2	22242083	Indicator Shield Cover	1
3	22242084	Indicator Light Cover	1
4	30568112	Display Board	1
5	2011210301	Electric Control Box	1
6	42011233	Terminal Board	1
7	01592087	Electric Control Box Shield Cover	1
8	30138510	Main Control Board	1
9	20202387	Electric Control Box Assy	1
10	2012212301	Electric Control Box Cover	1
11	01592088	Electric Control Box Shield Cover	1
12	2012214202	Electric Control Box Cover2	1
13	NA	Line Calble	1
14	NA	Connecting Cable	0
15	20012676S	Front Panel B1	1
16	NA	Front Panel Assy	1
17	20012497	Front Case Assy	1
18	242520041	Screw Cover	1
19	1501211601	Fan Motor	1
20	10512140	Guide Louver	1
21	10542036	Axial Bushing	1
22	01002325	Evaporator Coil Assy	1

NO.	Part Code	Part Description	Qty
23	26112164	Pipe Clamp	1
24	10352036	Cross Flow Fan	1
25	26112231	Motor Press Plate	1
26	15012086	Stepper Motor	1
27	10582070	Crank	1
28	26112232	Helicoid Tongue	1
29	10512160	Air Louver	2
30	0523001407	Drainage Hose	1
31	22202154	Rear Case Assy	1
32	01252484	Wall Mounting Frame	1
33	76712012	Drainage Tray Plug	1
34	10512037	Left Axial Bushing	1
35	26152022	Bearing Ring	1
36	305100621	Remote Control	1
Not Shown	27210071	Remote Controll Holder	1
37	76512051	Bearing O-Gasket Sub-Assy	1
38	24212119	Evaporator Coil Support	1
39	11122104	Filter Sub-Assy	2
Not Shown	390000453	Ambient Temperature Sensor	1
Not Shown	390000632	Indoor Coil Temperature Sensor	1
Not Shown	400300848	Signal Wire	1
Not Shown	30568010	Display Board	1

RIO18AC230V1AO

GWC18KG-D3DNA5C/O

Cooling Only 18,000 Btuh 208/230v Outdoor Unit



RIO18AC230V1AO

GWC18KG-D3DNA5C/O

Cooling Only 18,000 Btuh 208/230v Outdoor Unit

Product Code: CB146W17200_K78057

NO.	Part Code	Part Description	Qty
1	01473049	Front Grille	1
2	10335008	Axial Flow Fan	1
3	01433047P	Cabinet	1
4	1501506302	Fan Motor	1
5	01705020	Motor Support Sub-Assy	1
6	02803062P	Chassis Sub-Assy	1
7	01795010	Supporting Board(Condenser Coil)	1
8	01305093P	Left Side Plate	1
9	26235401	Left Handle	1
10	01255005P	Top Cover	1
11	01163466	Condenser Coil Assy	1
12	01473043	Rear Grille	1
13	3900030901	Temperature Sensors Assembly**	1
14	05212423	Tube Sensor Bushing	2
15	03063946	Capillary Sub-Assy	1
16	02143024	Sensor Clamp Discharge Temp. Sensor	1
17	03723930	Suction Tube	1
18	03813653	Discharge Tube	1
19	26115004	Wiring clamp	1
20	0130509403P	Right Side Plate	1

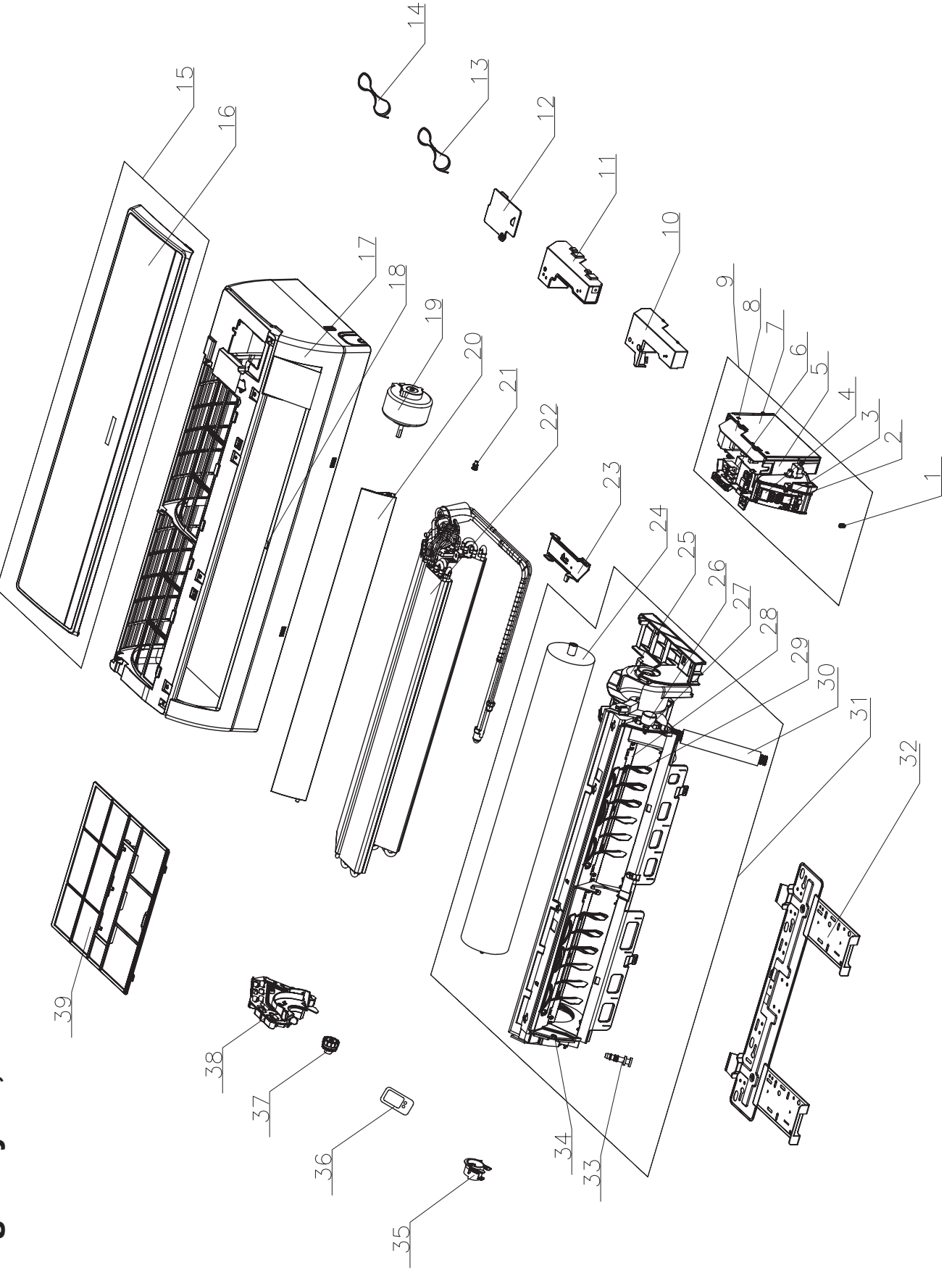
NO.	Part Code	Part Description	Qty
21	01715010P	Valve Support Assy	1
22	02113109	Handle Assy	1
23	07133464	Cut-Off Valve Sub-Assy 1/4-in	1
24	07133210	Cut-Off Valve Sub-Assy 1/2-in	1
25	76715021	Compressor Grommets	3
26	00205262	Compressor and Fittings	1
27	43130021	Reactor	1
28	01413098	Capacitor Clamp Sub-Assy	1
29	33000065	Capacitor CBB65	1
30	01413148	Electric Control Box (Fireproofing)	1
31	01232902	Clapboard Sub-Assy	1
32	20113003	Electric Control Box Cover Insulating Plate	1
33	02613037	Electric Control Box Assy	1
Not Shown	33010010	Capacitor CBB61	1
Not Shown	42010255	Terminal Board	1
Not Shown	39000072	Low Ambient Tube Temperature Sensor	1
Not Shown	183043	Compressor Overload Protector(External)	1
Not Shown	301483651	Main Control Board	1

** Temperature Sensor Assembly contains Discharge, Coil, & Ambient Temperature sensors.

RIO24AC230V1AH

GWC24KG-D3DNB1A/I

Cooling Only 24,000 Btuh 208/230v Indoor Unit



RIO24AC230V1AH
GWC24KG-D3DNB1A/I
Cooling Only 24,000 Btuh 208/230v Indoor Unit
Product Code: CB146N10000_K78057

NO.	Part Code	Part Description	Qty
1	4202300121	Configration Jumper Connector	1
2	22242083	Indicator Shield Cover	1
3	22242084	Indicator Light Cover	1
4	30568112	Display Board	1
5	2011210301	Electric Control Box	1
6	42011233	Terminal Board	1
7	01592087	Electric Control Box Shield Cover	1
8	30138518	Main Control Board	1
9	2020230203	Electric Control Box Assy	1
10	2012212301	Electric Control Box Cover	1
11	01592088	Electric Control Box Shield Cover	1
12	2011208103	Electric Control Box Cover2	1
13	NA	Line Cable	0
14	NA	Connecting Cable	0
15	2001246001	Front Case	1
16	20012659S	Front Panel	1
17	2001251401	Front Case Assy	1
18	24252016	Screw Cover	3
19	1501209801	Fan Motor	1
20	10512138	Guide Louver	1
21	10542036	Axial Bushing	2
22	01002269	Evaporator Coil Assy	1

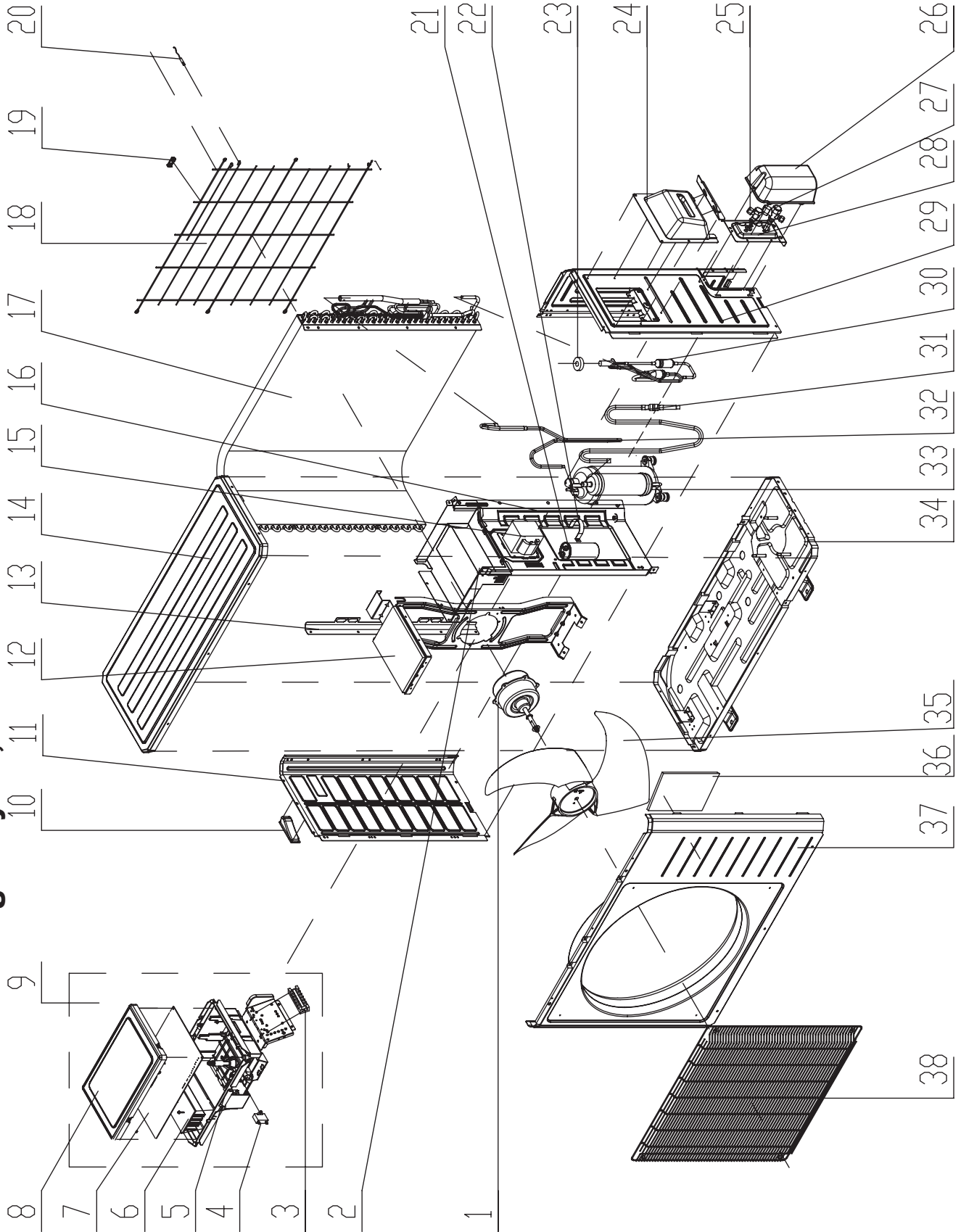
NO.	Part Code	Part Description	Qty
23	26112188	Pipe Clamp	1
24	10352030	Cross Flow Fan	1
25	26112316	Motor Press Plate	1
26	1521300101	Stepper Motor	1
27	10582070	Crank	1
28	26112229	Helicoid Tongue	1
29	10512139	Air Louver	3
30	0523001405	Drainage Hose	1
31	2220215701	Rear Case Assy	1
32	01252032	Wall Mounting Frame	1
33	76712012	Drainage Tray Plug	1
34	10512037	Left Axial Bushing	1
35	26152025	Bearing Ring	1
36	30510062	Remote Control	1
Not Shown	27210071	Remote Control Holder	1
37	76512051	Bearing O-Gasket Sub-Assy	1
38	24212103	Evaporator Coil Support	1
39	11122091	Filter Sub-Assy	2
Not Shown	390000453	Ambient Temperature Sensor	1
Not Shown	390000591	Indoor Coil Temperature Sensor	1
Not Shown	400300848	Signal Wire	1

** Temperature Sensor Assembly contains Discharge, Coil, & Ambient Temperature sensors.

RIO24AC230V1AH

GWC24KG-D3DNA5A/O

Cooling Only 24,000 Btuh 208/230v Outdoor Unit



RIO24AC230V1AO

GWC24KG-D3DNA5A/O

Cooling Only 24,000 Btuh 208/230v Outdoor Unit

Product Code: CB146W0131_K78057

NO.	Part Code	Part Description	Qty
1	1501506302	Fan Motor	1
2	01413148	Electric Control Box (Fireproofing)	1
3	42010255	Terminal Board	1
4	33010010	Capacitor CBB61	1
5	20113015	Electric Control Box	1
6	49013034	Radiator	1
7	301483653	Main Control Board	1
8	01413150	Electric Control Box Cover	1
9	02613274	Electric Control Box Assy	1
10	26235401	Left Handle	1
11	01305093P	Left Side Plate	1
12	01705020	Motor Support Sub-Assy	1
13	01795010	Supporting Board(condenser)	1
14	01255005P	Top Cover	1
15	43130021	Reactor	1
16	01232902	Clapboard Sub-Assy	1
17	0111338604	Condenser Coil Assy	1
18	01473043	Rear Grille	1
19	26115004	Wiring clamp	1
20	3900030901	Temperature Sensors Assembly**	1
21	33000065	Capacitor CBB65	1
22	01413098	Capacitor Clamp Sub-Assy	1

NO.	Part Code	Part Description	Qty
23	4300876704	Electric Expand Valve Fitting	1
24	02113109	Handle Assy	1
25	07133184	Cut-off Valve Sub-Assy 1/4-in	1
26	22245002	Valve cover	1
27	07133060	Cut off Valve Sub-Assy 1/2-in	1
28	01715010P	Valve support Assy	1
29	0130509403P	Right Side Plate	1
30	07133183	Electronic Expansion Valve	1
31	03733084	Suction Tube Sub-Assy	1
32	03733083	Discharge Tube Sub-Assy	1
33	00103501	Compressor And Fittings C-6RZ146H1A	1
34	0280305701P	Chassis Sub-Assy	1
35	10335008	Axial Flow Fan	1
36	20113003	Insulating Plate of Electric Control Box Cover	1
37	01433047P	Cabinet	1
38	01473049	Front Grille	1
Not Shown	00180002	Compressor Overload Protector	1
Not Shown	39000072	Low Ambient Tube Temperature Sensor	1
Not Shown	07130369	Electronic Expansion Valve	1
Not Shown	76710236	Compressor Grommets	3
Not Shown	5230022	Drain Pipe	1

CAT NO: GREE_RIO_PARTS_A_120118