



Submittal Data: TERRA18HP230V1B		18,000 BTU/H Wall Mounted Heat- Pump System																																												
Job Name		Location																																												
Purchaser		Date																																												
Submitted To		Engineer																																												
Unit Designation		For <input type="checkbox"/> Reference <input type="checkbox"/> Approval <input type="checkbox"/> Construction																																												
Schedule No.																																														
<b>GENERAL FEATURES</b> <ul style="list-style-type: none"> <li>- Ultra High Efficiency</li> <li>- 7 Indoor Fan Speeds</li> <li>- 4 Way Airflow Operation</li> <li>- Photocatalytic Filter</li> <li>- Wireless Remote with LCD Display</li> <li>- Acrylic Resin/Anti-Corrosion Coil Protection Inside &amp; Out</li> <li>- 5 year Limited Parts Warranty</li> <li>- 7 year Limited Compressor Warranty</li> </ul> 		 <p>AHRI Certified Ref No: 7606717</p>																																												
System Ratings		Indoor Unit Data																																												
<b>Cooling</b> <table border="0"> <tr> <td>Rated Capacity</td> <td>18000 BTU/H</td> </tr> <tr> <td>Capacity Range</td> <td>4,600-22,180 BTU/H</td> </tr> <tr> <td>Power Input (Max)</td> <td>2,450 W</td> </tr> <tr> <td>SEER</td> <td>21</td> </tr> <tr> <td>EER</td> <td>12.5</td> </tr> </table>		Rated Capacity	18000 BTU/H	Capacity Range	4,600-22,180 BTU/H	Power Input (Max)	2,450 W	SEER	21	EER	12.5	<table border="0"> <tr> <td><b>Fan Motor</b></td> <td>Output Power</td> <td>25 W</td> </tr> <tr> <td></td> <td>FLA</td> <td>0.1 A</td> </tr> <tr> <td><b>Airflow</b></td> <td></td> <td></td> </tr> <tr> <td>Cooling Wet (Lo/Hi)</td> <td></td> <td>282/589 CFM</td> </tr> <tr> <td>Heating Dry (Lo/Hi)</td> <td></td> <td>282/589 CFM</td> </tr> <tr> <td><b>Sound Pressure Level</b></td> <td></td> <td></td> </tr> <tr> <td>Cooling (Lo/Hi)</td> <td></td> <td>33/51 db(A)</td> </tr> <tr> <td>Heating (Lo/Hi)</td> <td></td> <td>33/51 db(A)</td> </tr> <tr> <td><b>Dimensions &amp; Weights</b></td> <td></td> <td></td> </tr> <tr> <td>Unit Dimensions (LxHxD)</td> <td></td> <td>40.1 x 12.6 x 9.1-in</td> </tr> <tr> <td>Weight (Net/Shipping)</td> <td></td> <td>31/39 LBS</td> </tr> </table>		<b>Fan Motor</b>	Output Power	25 W		FLA	0.1 A	<b>Airflow</b>			Cooling Wet (Lo/Hi)		282/589 CFM	Heating Dry (Lo/Hi)		282/589 CFM	<b>Sound Pressure Level</b>			Cooling (Lo/Hi)		33/51 db(A)	Heating (Lo/Hi)		33/51 db(A)	<b>Dimensions &amp; Weights</b>			Unit Dimensions (LxHxD)		40.1 x 12.6 x 9.1-in	Weight (Net/Shipping)		31/39 LBS
Rated Capacity	18000 BTU/H																																													
Capacity Range	4,600-22,180 BTU/H																																													
Power Input (Max)	2,450 W																																													
SEER	21																																													
EER	12.5																																													
<b>Fan Motor</b>	Output Power	25 W																																												
	FLA	0.1 A																																												
<b>Airflow</b>																																														
Cooling Wet (Lo/Hi)		282/589 CFM																																												
Heating Dry (Lo/Hi)		282/589 CFM																																												
<b>Sound Pressure Level</b>																																														
Cooling (Lo/Hi)		33/51 db(A)																																												
Heating (Lo/Hi)		33/51 db(A)																																												
<b>Dimensions &amp; Weights</b>																																														
Unit Dimensions (LxHxD)		40.1 x 12.6 x 9.1-in																																												
Weight (Net/Shipping)		31/39 LBS																																												
<b>Heating at 47° F</b> <table border="0"> <tr> <td>Rated Capacity</td> <td>19,000 BTU/H</td> </tr> <tr> <td>Capacity Range</td> <td>3,412-23,202 BTU/H</td> </tr> <tr> <td>Power Input (Max)</td> <td>2,500 W</td> </tr> <tr> <td>HSPF</td> <td>10.0</td> </tr> <tr> <td>COP</td> <td>3.5</td> </tr> </table>		Rated Capacity	19,000 BTU/H	Capacity Range	3,412-23,202 BTU/H	Power Input (Max)	2,500 W	HSPF	10.0	COP	3.5	Outdoor Unit Data																																		
Rated Capacity	19,000 BTU/H																																													
Capacity Range	3,412-23,202 BTU/H																																													
Power Input (Max)	2,500 W																																													
HSPF	10.0																																													
COP	3.5																																													
<b>Heating at 17° F</b> <table border="0"> <tr> <td>Rated Capacity</td> <td>12,100 BTU/H</td> </tr> <tr> <td>Capacity (Max)</td> <td>16,363 BTU/H</td> </tr> <tr> <td>Power Input (Max)</td> <td>2,153 W</td> </tr> <tr> <td>COP</td> <td>2.5</td> </tr> </table>		Rated Capacity	12,100 BTU/H	Capacity (Max)	16,363 BTU/H	Power Input (Max)	2,153 W	COP	2.5	<table border="0"> <tr> <td><b>Compressor</b></td> <td>DC Inverter Driven Rotary</td> </tr> <tr> <td><b>Refrigerant Type</b></td> <td>R410A</td> </tr> <tr> <td><b>Fan Motor</b></td> <td>Output Power</td> <td>60 W</td> </tr> <tr> <td></td> <td>FLA</td> <td>0.5 A</td> </tr> <tr> <td><b>Sound Pressure</b></td> <td></td> <td></td> </tr> <tr> <td>Cooling (Lo/Hi)</td> <td></td> <td>56/66 db(A)</td> </tr> <tr> <td>Heating (Lo/Hi)</td> <td></td> <td>56/66 db(A)</td> </tr> <tr> <td><b>Dimensions &amp; Weights</b></td> <td></td> <td></td> </tr> <tr> <td>Unit Dimensions (LxHxD)</td> <td></td> <td>37.6 x 27.6 x 15.6-in</td> </tr> <tr> <td>Weight (Net/Shipping)</td> <td></td> <td>108/118 LBS</td> </tr> </table>		<b>Compressor</b>	DC Inverter Driven Rotary	<b>Refrigerant Type</b>	R410A	<b>Fan Motor</b>	Output Power	60 W		FLA	0.5 A	<b>Sound Pressure</b>			Cooling (Lo/Hi)		56/66 db(A)	Heating (Lo/Hi)		56/66 db(A)	<b>Dimensions &amp; Weights</b>			Unit Dimensions (LxHxD)		37.6 x 27.6 x 15.6-in	Weight (Net/Shipping)		108/118 LBS							
Rated Capacity	12,100 BTU/H																																													
Capacity (Max)	16,363 BTU/H																																													
Power Input (Max)	2,153 W																																													
COP	2.5																																													
<b>Compressor</b>	DC Inverter Driven Rotary																																													
<b>Refrigerant Type</b>	R410A																																													
<b>Fan Motor</b>	Output Power	60 W																																												
	FLA	0.5 A																																												
<b>Sound Pressure</b>																																														
Cooling (Lo/Hi)		56/66 db(A)																																												
Heating (Lo/Hi)		56/66 db(A)																																												
<b>Dimensions &amp; Weights</b>																																														
Unit Dimensions (LxHxD)		37.6 x 27.6 x 15.6-in																																												
Weight (Net/Shipping)		108/118 LBS																																												
<b>Operating Range</b> <table border="0"> <tr> <td>Cooling</td> <td>(Max)</td> <td>118°F (43 C)</td> </tr> <tr> <td></td> <td>(Min)</td> <td>5°F (-15 C)</td> </tr> <tr> <td>Heating</td> <td>(Max)</td> <td>75°F (24 C)</td> </tr> <tr> <td></td> <td>(Min)</td> <td>5°F (-15 C)</td> </tr> </table>		Cooling	(Max)	118°F (43 C)		(Min)	5°F (-15 C)	Heating	(Max)	75°F (24 C)		(Min)	5°F (-15 C)	<b>Refrigerant Piping Data</b> <table border="0"> <tr> <td>Gas Pipe Size (OD)</td> <td>5/8-in</td> </tr> <tr> <td>Liquid Pipe Size (OD)</td> <td>1/4-in</td> </tr> <tr> <td>Connection Method</td> <td>Flared</td> </tr> <tr> <td>MAX Refrigerant Pipe Length</td> <td>82-ft</td> </tr> <tr> <td>MIN Refrigerant Pipe Length</td> <td>10-ft</td> </tr> <tr> <td>MAX Refrigerant Pipe Height Difference</td> <td>33-ft</td> </tr> </table>		Gas Pipe Size (OD)	5/8-in	Liquid Pipe Size (OD)	1/4-in	Connection Method	Flared	MAX Refrigerant Pipe Length	82-ft	MIN Refrigerant Pipe Length	10-ft	MAX Refrigerant Pipe Height Difference	33-ft																			
Cooling	(Max)	118°F (43 C)																																												
	(Min)	5°F (-15 C)																																												
Heating	(Max)	75°F (24 C)																																												
	(Min)	5°F (-15 C)																																												
Gas Pipe Size (OD)	5/8-in																																													
Liquid Pipe Size (OD)	1/4-in																																													
Connection Method	Flared																																													
MAX Refrigerant Pipe Length	82-ft																																													
MIN Refrigerant Pipe Length	10-ft																																													
MAX Refrigerant Pipe Height Difference	33-ft																																													
<b>Power Supply</b> <table border="0"> <tr> <td>Normal Operational Voltage</td> <td>208/230 V, 1 Phase, 60 Hz</td> </tr> <tr> <td>Voltage Range</td> <td>187 - 253 V</td> </tr> <tr> <td>Main Power Wire Size</td> <td>12-2 AWG</td> </tr> <tr> <td>Interconnecting Cable Wire Size</td> <td>14-4 AWG</td> </tr> <tr> <td>MCA</td> <td>15 A</td> </tr> <tr> <td>MOCP/Breaker Size</td> <td>20 A</td> </tr> </table>		Normal Operational Voltage	208/230 V, 1 Phase, 60 Hz	Voltage Range	187 - 253 V	Main Power Wire Size	12-2 AWG	Interconnecting Cable Wire Size	14-4 AWG	MCA	15 A	MOCP/Breaker Size	20 A																																	
Normal Operational Voltage	208/230 V, 1 Phase, 60 Hz																																													
Voltage Range	187 - 253 V																																													
Main Power Wire Size	12-2 AWG																																													
Interconnecting Cable Wire Size	14-4 AWG																																													
MCA	15 A																																													
MOCP/Breaker Size	20 A																																													
     																																														

**EXTENDED RATINGS**

**COOLING PERFORMANCE**

Outdoor Ambient Temperature (DB)	Indoor Entering Air Temperatures (DB) 50% RH					
	62 F		67 F		72 F	
	TC	SHC	TC	SHC	TC	SHC
25 F	NA	NA	NA	NA	NA	NA
35 F	NA	NA	NA	NA	NA	NA
45 F	NA	NA	NA	NA	NA	NA
55 F	20,681	16,007	22,006	16,504	23,591	17,222
65 F	19,761	15,354	21,695	16,467	23,005	16,816
75 F	18,788	14,692	20,198	15,533	21,926	16,181
85 F	17,846	14,170	19,080	14,730	20,906	15,617
95 F	16,776	13,404	18,000	14,382	19,872	14,924
105 F	15,908	12,917	17,096	13,643	18,750	14,400
115 F	15,051	12,402	15,923	12,898	17,168	13,443

**HEATING PERFORMANCE**

Outdoor Ambient Temperature (DB) (80% RH)	Indoor Entering Air Temperatures (DB)					
	65 F		70 F		75 F	
	TC	SHC	TC	SHC	TC	SHC
5 F	16,438	16,438	15,514	15,514	15,134	15,134
15 F	17,571	17,571	16,030	16,030	15,934	15,934
25 F	18,643	18,643	17,695	17,695	16,688	16,688
35 F	19,684	19,684	18,219	18,219	17,455	17,455
45 F	20,713	20,713	20,010	20,010	18,798	18,798
55 F	20,740	20,740	20,140	20,140	19,259	19,259
65 F	20,642	20,642	20,340	20,340	19,714	19,714

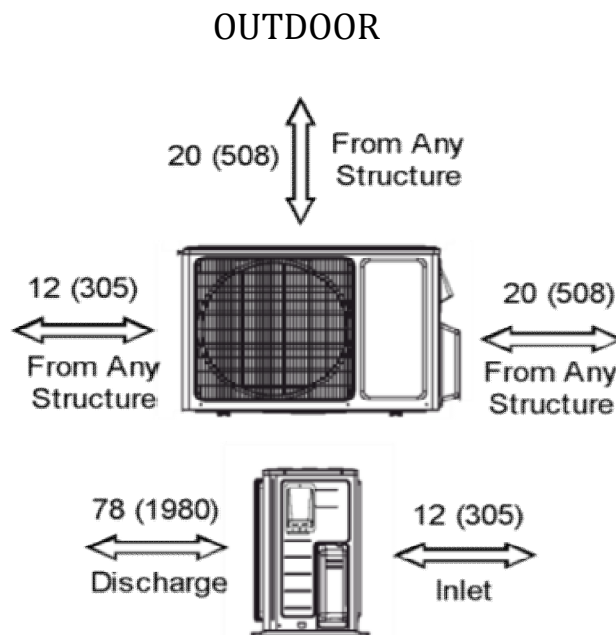
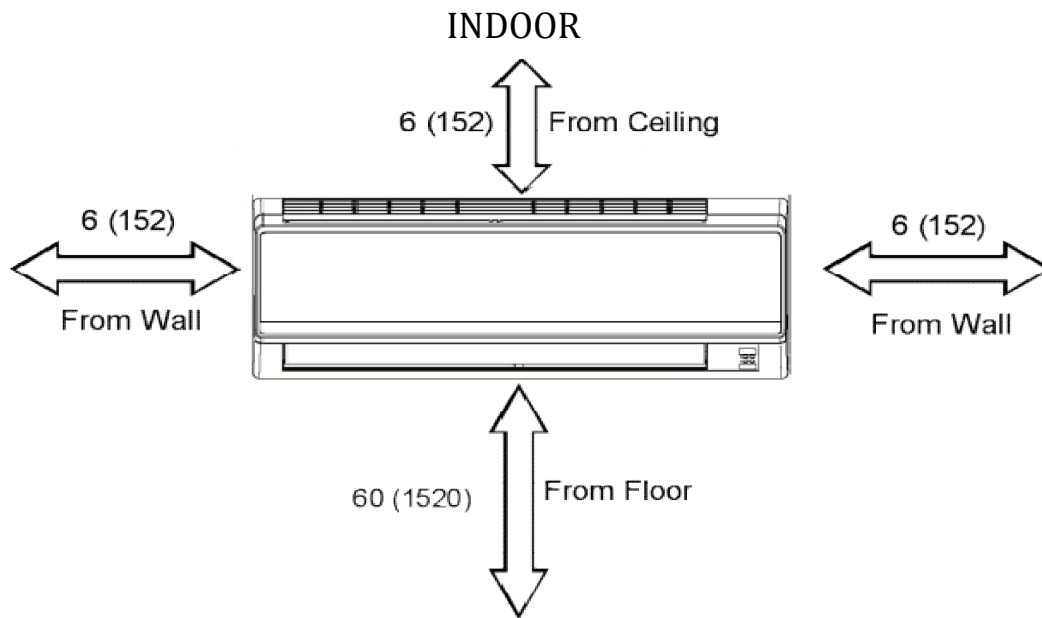
TC- Total Capacity ( BtuH)

SHC- Sensible Capacity (BtuH)



MINIMUM SPACING REQUIREMENTS

Units: inch (mm)

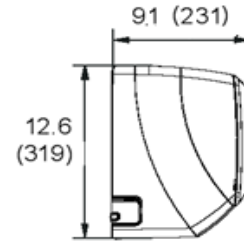
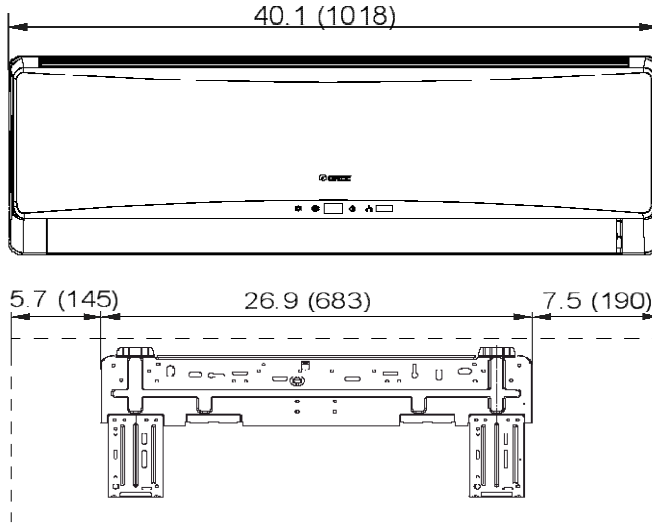


## DIMENSIONAL SPECIFICATIONS

## TERRA18HP230V1B

### INDOOR UNIT DIMENSIONS

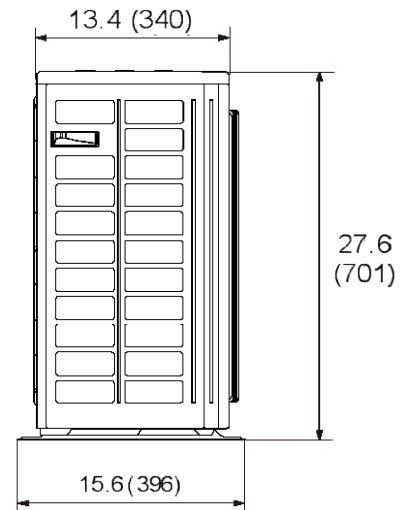
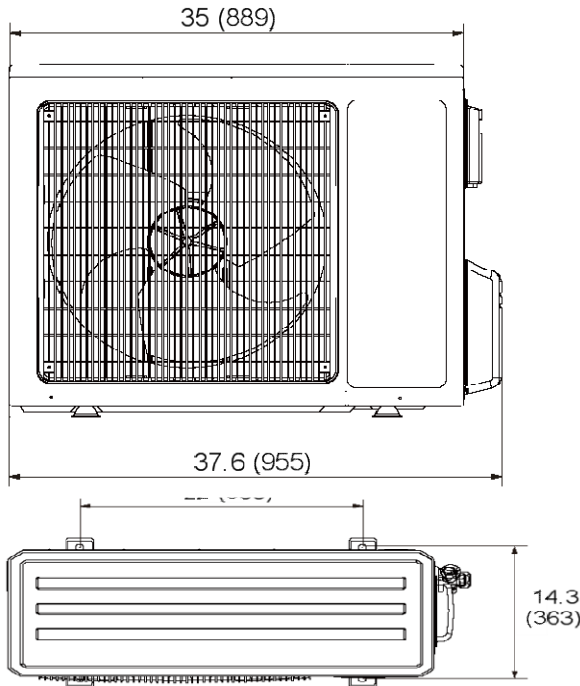
Units: inch (mm)



Liquid Line Valve	1/4-in OD Flared
Gas Line Valve	5/8-in OD Flared
Drain Connector	5/8-in OD

### OUTDOOR UNIT DIMENSIONS

Units: inch (mm)



Liquid Line Valve	1/4-in OD Flared
Gas Line Valve	5/8-in OD Flared

**Notes:**

1. Recommended Interconnecting Cable Type Stranded Bare Copper Conductors THHN 600V Wire
2. Power wiring cable size must comply with applicable national and local codes.
3. Test conditions are based on AHRI 210/240.



[www.greecomfort.com](http://www.greecomfort.com)

Specifications are subject to change without notice. Manufacturer reserves the right to discontinue or modify specifications or designs

without notice or without incurring obligations. All rights reserved.