



# PARTS MANUAL

## Cassette B Series

### Cassette

MODELS:  
CAS12HP230V1BC  
CAS18HP230V1BC  
CAS24HP230V1BC

### Grille

MODELS:  
CASGRILLEBSM  
CASGRILLEBLG

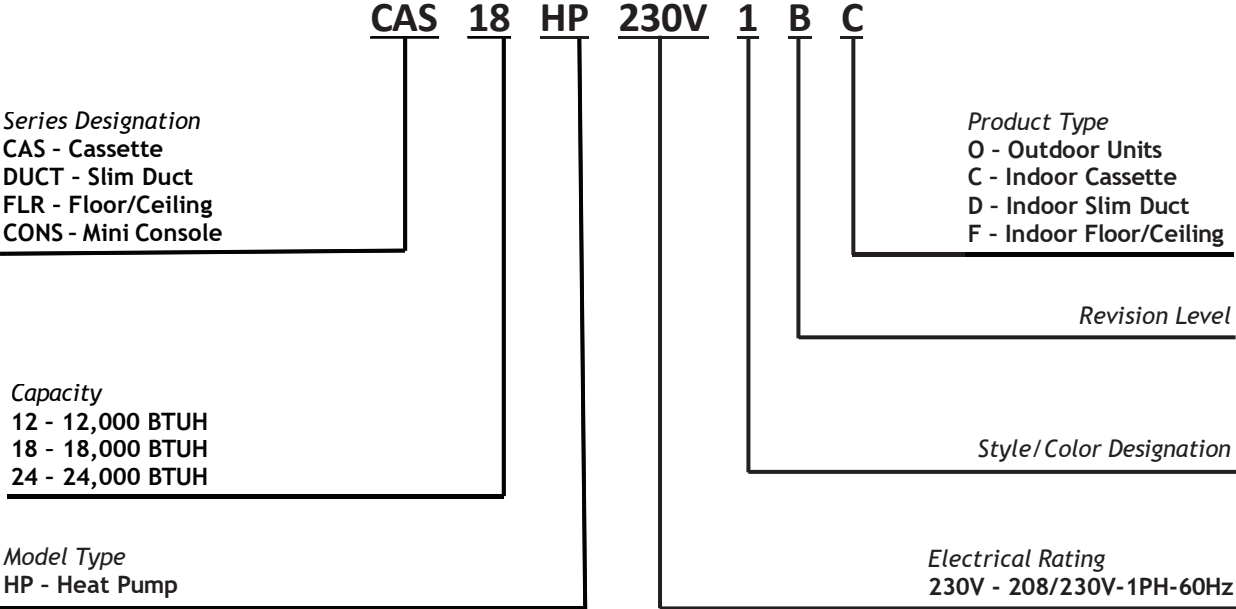
Thank you for choosing our product.  
Please read this Parts Manual carefully before operation and  
retain it for future reference.

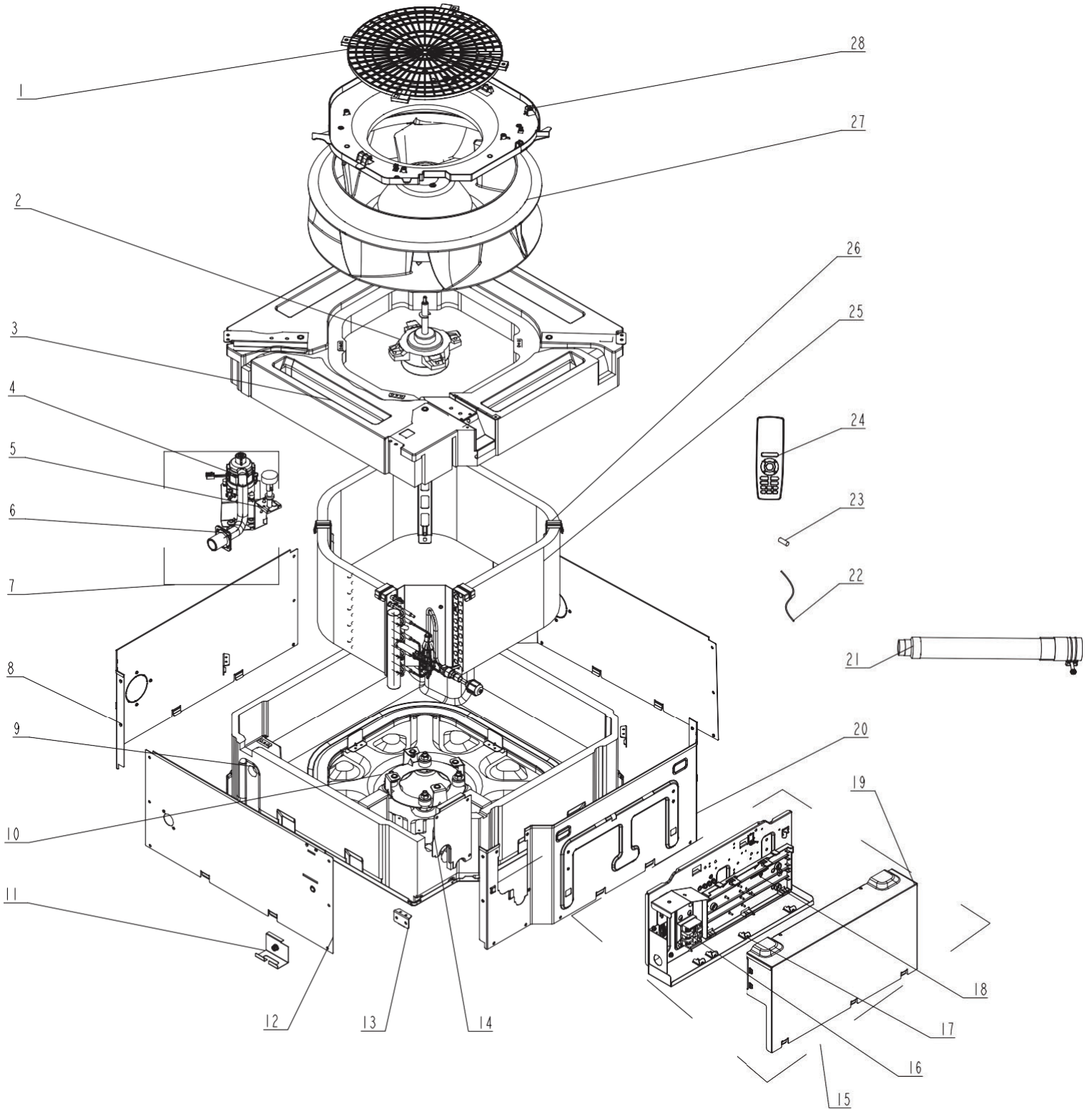
If you lose this Manual, please contact your local distributor or  
visit [www.greecomcomfort.com/resources](http://www.greecomcomfort.com/resources) now to download and  
file the electronic version.

# Nomenclature



**EXAMPLE: CAS18HP230V1BC**



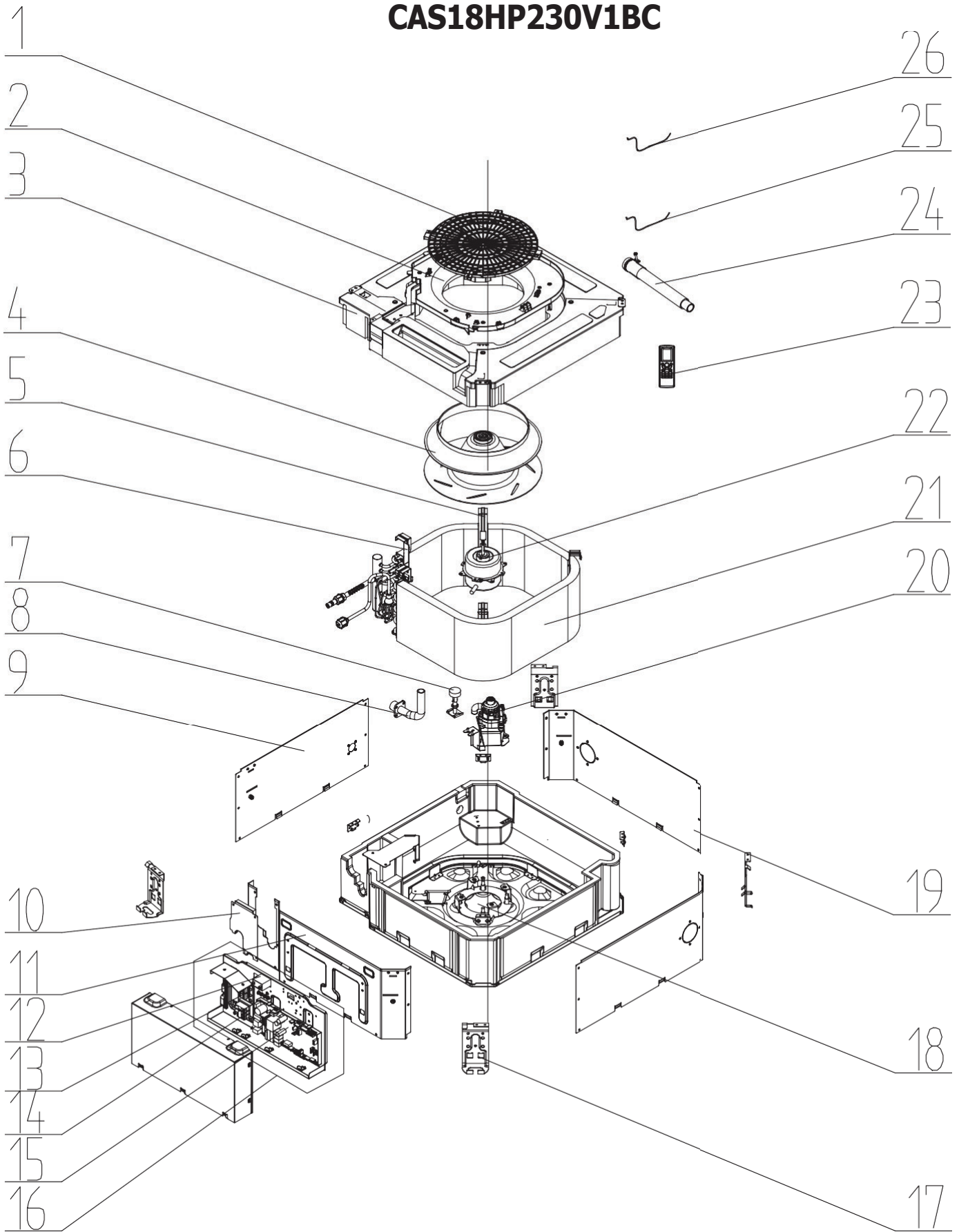




## CAS12HP230V1BC

NO.	Part Description	Qty	Part Code
1	Rear Grill	1	26909400007
2	Fan Motor	1	1570940000401
3	Water Tray Assy	1	01289400004
4	Water Pump	1	4313800005801
5	Liquid Level Switch	1	450102013
6	Pump Drainpipe	1	26909400069
7	Water Pump Assy	1	15409400008
8	Right Side Plate Sub-Assy	2	01319400013
9	Bottom Foam Assy	1	12509400004
10	Base Plate Assy	1	02229400007
11	Body Installing Support	4	01332705
12	Left Side Plate Sub-Assy	1	01319400012
13	Connected Board (Front Panel)	4	01349400006
14	Cover Plate Sub-Assy	1	01269400006
15	Electric Box Assy	1	100002066221
16	Terminal Board	1	420001000002
17	Clamp	8	0220410000501
18	Main Board	1	300002060012
19	Electric Box Cover	1	0142940000301
20	Front Side Plate Sub-Assy	1	01319400014
21	Drain Hose Sub-Assy	1	007008000001
22	Room Sensor	1	39000191
23	Tube sensor	1	3900012128
24	Remote Controller	1	30510599
25	Evaporator Assy	1	01029400058
26	Supporter	3	01809400007
27	Centrifugal Fan	1	10429400001
28	Diversion Circle	1	10479400001

# CAS18HP230V1BC

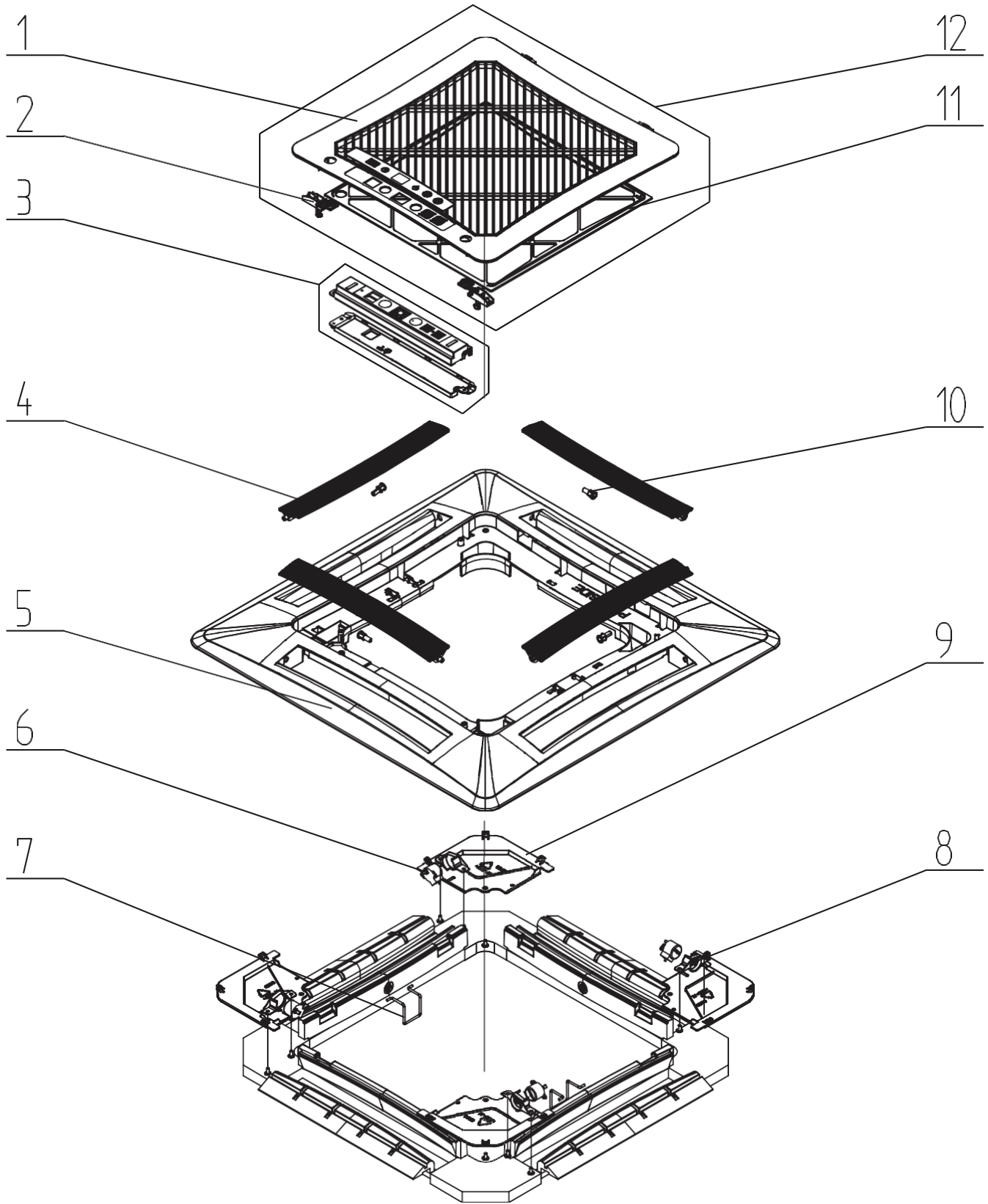




## CAS18HP230V1BC

NO.	Part Description	Qty	Part Code
1	Rear Grill	1	26909400007
2	Diversion Circle	1	10479400001
3	Water Tray Assy	1	01289400004
4	Centrifugal Fan	1	10429400001
5	Supporter	3	01809400007
6	Baffle Plate Sub-Assy	1	01359400002
7	Liquid Level Switch	1	450102013
8	Pump Drainpipe	1	26909400069
9	Left Side Plate Sub-Assy	1	01319400012
10	Press Plate (Outlet Pipe)	1	01349400004
11	Front Side Plate Sub-Assy	1	01319400014
12	Capacitor CBB61	0	N/A
13	Terminal Board	0	N/A
14	Terminal Board	1	420001000002
15	Main Board	1	300002060012
16	Electric Box Assy	1	100002066222
17	Body Installing Support	4	01332705
18	Base Plate Assy	1	02229400007
19	Right Side Plate Sub-Assy	2	01319400013
20	Water Pump	1	4313800005801
21	Evaporator Assy	1	01029400013
22	Fan Motor	1	1570940000401
23	Remote Controller	1	30510599
24	Drain Hose Sub-Assy	1	007008000001
25	Tube sensor	1	3900012128
26	Room Sensor	1	39000191

# CASGRILLEBSM



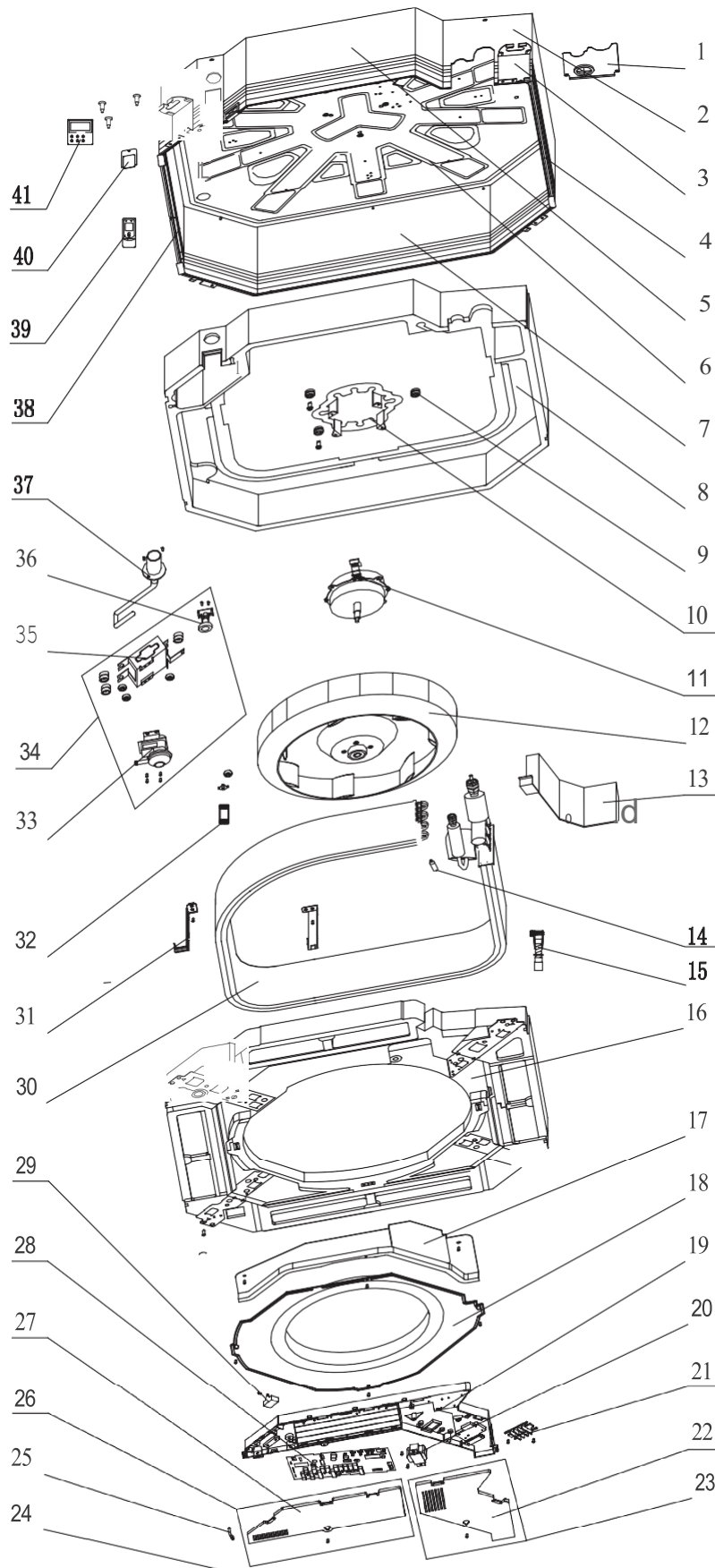


## CASGRILLEBSM

NO.	Part Description	Qty	Part Code
1	Front Grill	1	26909400010
2	Fastener Sub-Assy	2	02209400001
3	Receiver Board	1	300002062351
4	Guide Louver	4	26909400014
5	Front Case	1	26909400009
6	Step Motor	4	15729401
7	hook	2	02229400009
8	Gland Bush	4	26909400012
9	Corner Cover	4	26909400011
10	Left Axile Bush	4	10512037
11	Filter Sub-Assy	1	11729400001
12	Front Grill Assy	1	01579400002



# CAS24HP230V1BC





## CAS24HP230V1BC

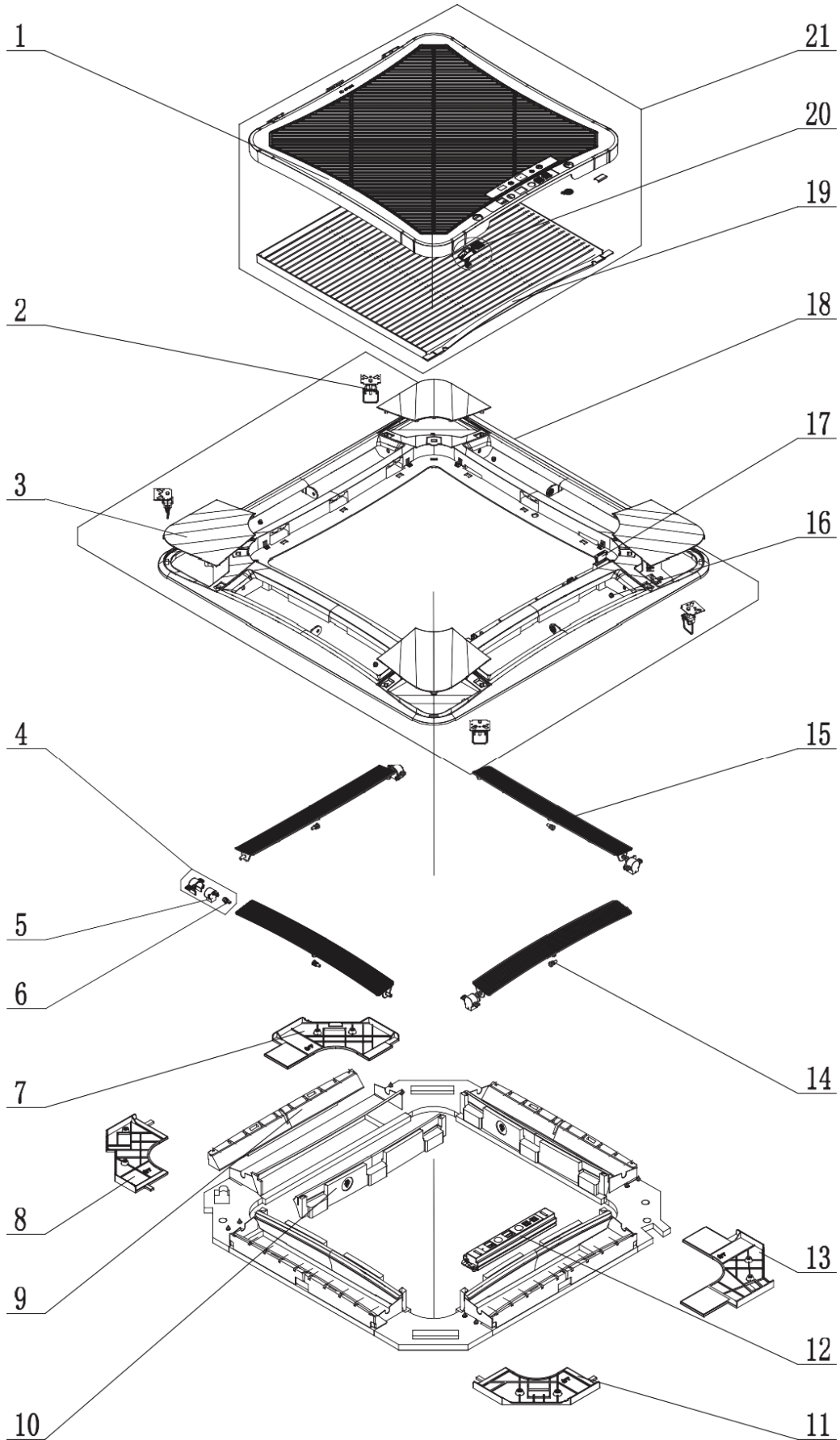
NO.	Part Description	Qty	Part Code
1	Tube Exit Plate Assy	1	0138271503
2	Shell Assy	1	01432703
3	Body Installing Plate	4	01332701
4	Front Side Plate Assy	1	01302718
5	Left Side Plate Assy	1	01302715
6	Base Plate Assy	1	01222701
7	Rear Side Plate Assy	1	01302714
8	Bottom Foam Assy	1	52012722
9	Motor Gasket	4	76712711
10	Motor Support	0	N/A
11	Fan Motor	1	1570940000401
12	Centrifugal Fan	1	10312705
13	Board Assy of Evaporator	1	01074042
14	Filter Sub-Assy	0	N/A
15	Drain Hose Sub-Assy	1	05339400001
16	Water Tray Assy	1	000069000104
17	Electric Base Plate	1	01412721
18	Diversion Circle	1	10372701
19	Electric Box Assy	1	100002066223
20	Transformer	0	N/A
21	Terminal Board	1	420001000002
22	Electric Box Cover	1	0142410004801A
23	Electric Box Cover Sub-Assy1	0	N/A
24	Temperature Sensor	1	390001921
25	Temperature Sensor	1	390000457
26	Electric Box Cover Sub-Assy2	0	N/A
27	Cover of Electric Box II	0	N/A
28	Main Board	1	300002060012
29	Capacitor CBB61	0	N/A
30	Evaporator Assy	1	011001060292
31	Evaporator Support Assy	2	01072703
32	Magnetic Ring	1	49010104
33	Water Pump	1	43138000058
34	Water Pump Assy	1	15409400009
35	Pump Support	0	N/A



## CAS24HP230V1BC

NO.	Part Description	Qty	Part Code
36	Water Level Switch	1	45020216
37	Pump Drainpipe	1	26909400068
38	Right Side Plate Assy	1	01302716
39	Remote Controller	1	30510599
40	Pump Cover Board Assy	1	01252713
41	Display Board	0	N/A

# CASGRILLEBLG





## CASGRILLEBLG

NO.	Part Description	Qty	Part Code
1	Front Grill	1	26909466
2	Hanging Ring	4	70810101
3	Outer Conner Cover Sub-Assy	4	01269410
4	Louver Motor Sub-Assy	4	15409407
5	Step Motor	1	15729401
6	Crank	1	10582070
7	Inner Conner Cover IV Sub-Assy	1	01269411
8	Inner Conner Cover III Sub-Assy	1	01269412
9	Foam	4	52069409
10	Foam	4	52069410
11	Inner Conner Cover II Sub-Assy	1	01269413
12	Receiver Board	1	30261016
13	Inner Conner Cover I Sub-Assy	1	01269414
14	Axile Bush	4	10542036
15	Guide Louver	4	10619406
16	Left Axile Bush	4	10512037
17	Magnet Sub-Assy	1	70842705
18	Front Panel Assy	1	01549401
19	Filter Sub-Assy	1	11729405
20	Clamp Sub-Assy	1	000101000001
21	Front Grill Assy	1	01579400004



U.S. CONTACT INFORMATION TRADEWINDS, LLC

E-mail: [info@twclimate.com](mailto:info@twclimate.com)

Contractor Support: 888-850-7928 | Mon-Fri 8 AM - 5 PM EDT

GREE ELECTRIC APPLIANCES INC.OF ZHUHAI  
GREECOMFORT.COM