

Submittal Data: CAS12HP230V1AC	12,000 BTU/H Ceiling Cassette
---------------------------------------	-------------------------------

Job Name	Location	Date
----------	----------	------

Purchaser	Engineer
-----------	----------

Submitted To	For	<input type="checkbox"/> Reference	<input type="checkbox"/> Approval	<input type="checkbox"/> Construction
--------------	-----	------------------------------------	-----------------------------------	---------------------------------------

Unit Designation	Schedule No.
------------------	--------------

GENERAL FEATURES

- Quiet Operation -Multi-Speed Fan
- 4-way Discharge Air
- Internal Condensate Drain Pump
- Swing Louver
- Both Wireless & Wired Remote Controllers
- Power Failure Recovery
- Sentry Condensate Overflow Protection
- Decorative Grille (Required / Sold Separately)

CASGRILLE1SM

-Limited 5 yr. Parts Warranty



System Ratings

Cooling*	
Rated Capacity	12,000 BTU/H
Heating*	
Rated Capacity	13,000 BTU/H
Sound Pressure (Hi/Lo)**	
Cooling	46/32 dbA
Heating	46/32 dbA
Air Flow (min/max)	
Indoor Fan	265/353 CFM

Units Specification & Data

Wired Controller	XK-19
Air Filter	Netted polypropylene
Condensate Drain Lift (Height)	12-in
	305-mm
Drain Size (OD)	1.2-in
	31-mm

Electrical Ratings

Fan Motor	
Output Power	11 W
FLA	0.2 A
Power Supply	
Normal Operational Voltage	208/230 V, 1 Phase, 60 Hz
Voltage Range	187 - 253 V
MCA	1.0 A
Interconnecting Cable Wire Size	14-4 AWG

Refrigerant Piping Data

Refrigerant Type	R410A
Gas Pipe Size (OD)	3/8-in
Liquid Pipe Size (OD)	1/4-in
Connection Method	Flared

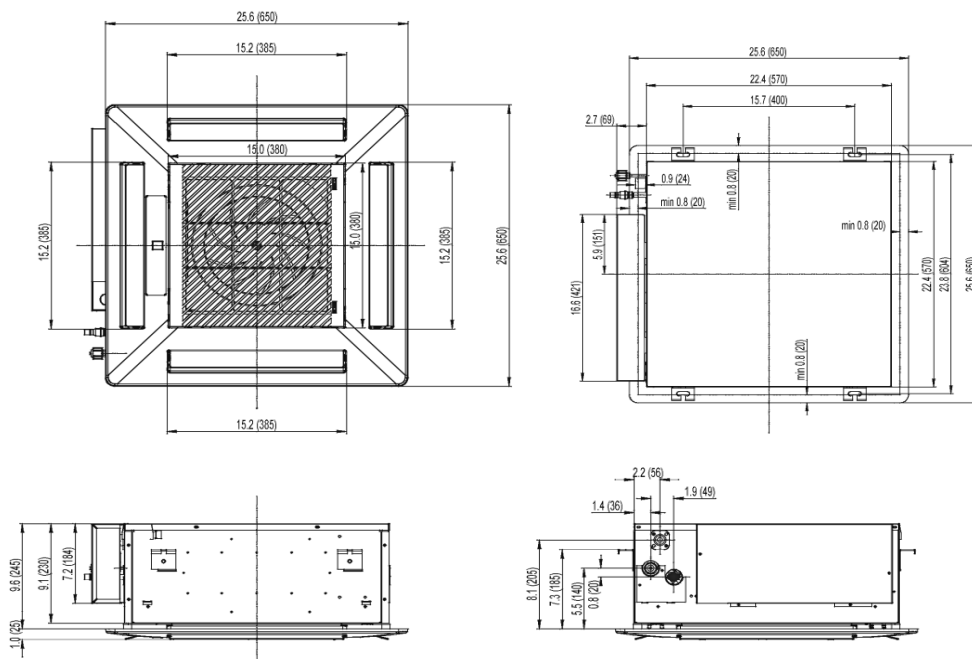
* Test conditions are based on AHRI 210/240.
 **Sound Power ratings are per AHRI 270 and AHRI 350



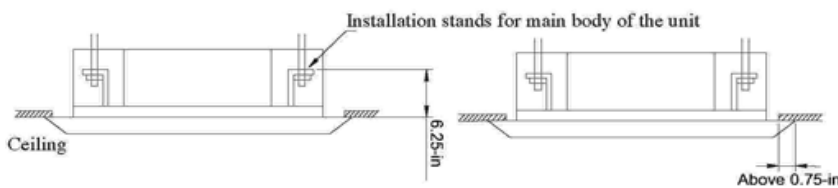
12,000 BTUH MODEL

Model # CAS12HP230V1AC 12,000 BTUH 230V

Units: inch (mm)



Note: Size refrigerant lines based on evaporator port sizes.

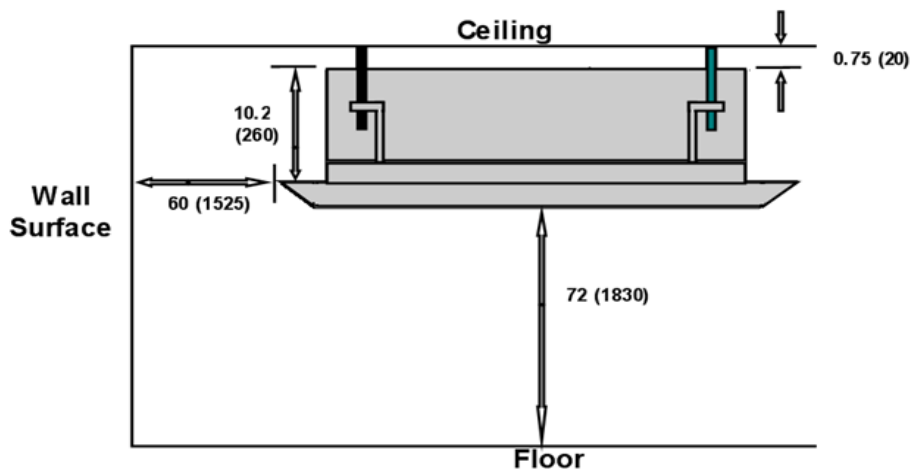


CASGRILLE1SM

Decorative Grille (Required / Sold Separately)

Weight (Net/Gross) 40/51 lbs

MINIMUM CLEARANCES



Notes:

1. Recommended Interconnecting Cable Type Stranded Bare Copper Conductors THHN 600V Unshielded Wire
2. Power wiring cable size must comply with applicable national and local codes.
3. Test conditions are based on AHRI 210/240.

Specifications are subject to change without notice. Manufacturer reserves the right to discontinue or modify specifications or designs without notice or without incurring obligations. All rights reserved.