



| SUBMITTAL DATA: CAS18HP230V1BC | | 18000 BTU/H Cassette |
|--------------------------------|--------------|----------------------|
| Job Name | Location | Date |
| Purchaser | Engineer | |
| Submitted To | For | |
| Unit Designation | Schedule No. | |

| | | |
|------|----------------|------|
| YT1F | CAS18HP230V1BC | XK19 |
|------|----------------|------|



GENERAL FEATURES

AHRI Certificate: See Matching or Paired Outdoor Unit AHRI Certificate

Compact and Quiet Design

4 - Way Discharge Air

Internal Condensate Drain Pump

Wireless Remote with LCD Display Included

XK19 Wired Controller Included

Low Ambient Cooling Based on Outdoor Unit Performance

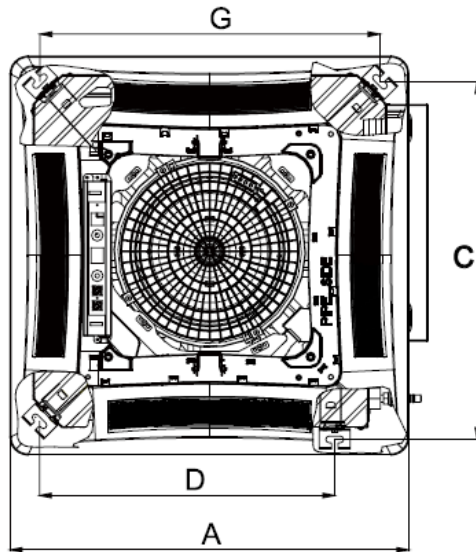
Low Ambient Heating Based on Outdoor Unit Performance

Copper Tube / Aluminum Fin Coil (Blue Fin) 500 Hrs Salt Spray Tested

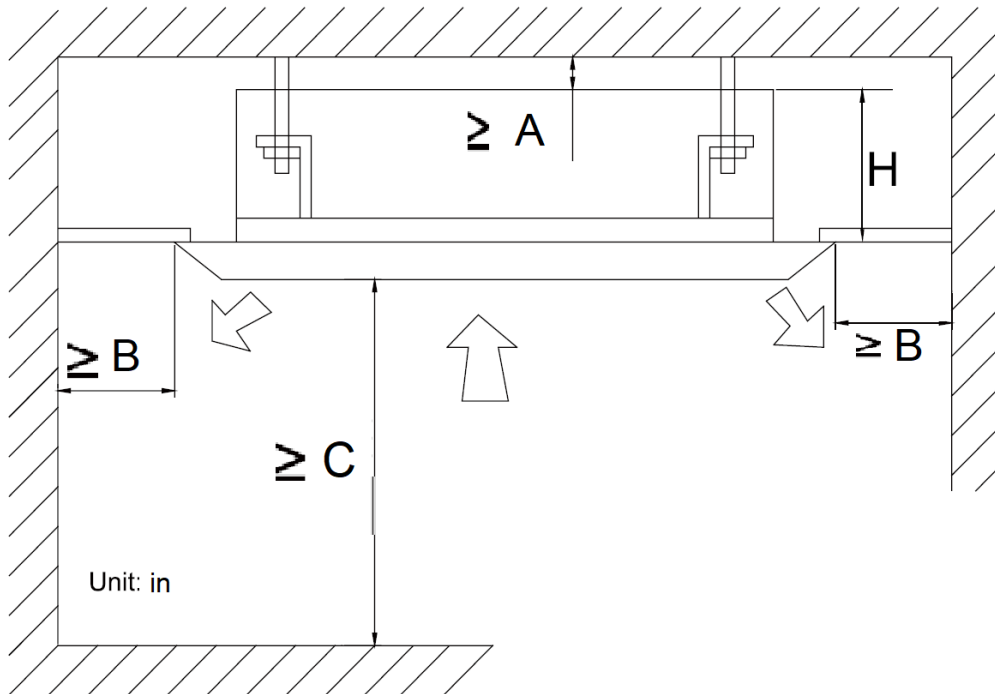
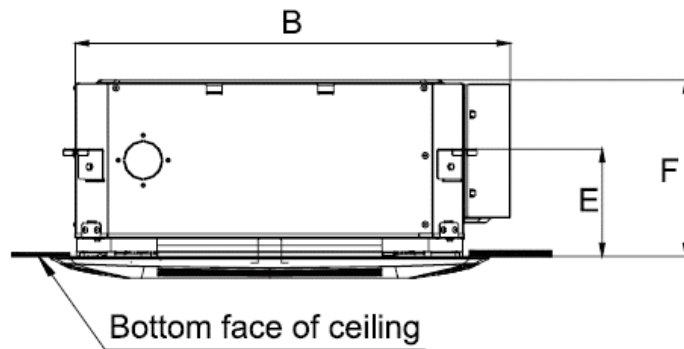
5 Year Limited Compressor & Parts Warranty (Residential Only)

| SPECIFICATIONS | | CAS18HP230V1BC | |
|--|-----------------------|-----------------------------------|--|
| System Type | | HEAT PUMP | |
| SYSTEM PERFORMANCE | | | |
| Cooling | Rated Capacity @ 95°F | Btu/h | See Outdoor Unit Submittals -Connected Unit Capacities |
| | Min-Max Capacity | Btu/h | 5100 - 23200 |
| Heating | Rated Capacity @ 47°F | Btu/h | See Outdoor Unit Submittals -Connected Unit Capacities |
| | Min-Max Capacity | Btu/h | 5800 - 23500 |
| SEER / EER | | Based on Outdoor Unit Performance | |
| HSPF / COP | | Based on Outdoor Unit Performance | |
| Energy Star® | | Based on Outdoor Unit Performance | |
| Cooling Temperature Range | | °F | Based on Outdoor Unit Performance |
| Heating Temperature Range | | °F | Based on Outdoor Unit Performance |
| INDOOR UNIT | | CAS18HP230V1BC | |
| Fan Motor Output Power | | W | 45 |
| Fan Motor FLA | | amps | 0.5 |
| Air Flow (Min - Max) | | CFM | 265 - 418 |
| Sound Pressure Level (Cooling / Heating) | | dB(A) | 35 - 47 |
| Dehumidification | | pt/hr | 3.8 |
| Condensate Pump Lift (Head) | | in | 47.25 |
| Condensate Drain Size (OD) | | in | 1.0 |
| Unit Dimension (WxHxD) | | in | 23 1/2 X 23 1/2 X 9 1/2 |
| Package Dimension (WxHxD) | | in | 30 1/2 X 29 X 11 1/4 |
| Weight (Net / Gross) | | lbs | 44 / 53 |
| REFRIGERANT PIPING | | | |
| Line Set Size (Liquid - Gas) | | in | 1/4 - 1/2 |
| Pre-Charge Lengh | | ft | Based on Outdoor Unit |
| Pipe Length (Min - Max) | | ft | Based on Outdoor Unit |
| Max. Pipe Elevation | | ft | Based on Outdoor Unit |
| ELECTRICAL | | | |
| Power Supply (Voltage Operating Range) | | Powered by Outdoor Unit | |
| Rated Current (Cooling / Heating) | | amps | Based on Outdoor Unit |
| MCA / MOCP | | amps | Based on Outdoor Unit |
| Main Power Wire Size | | AWG | Size Per Local Code |
| Interconnecting Wire Size | | AWG | 14 / 4 |
| LIMITED WARRANTY | | 5 Years Residential | |

| REMOTE CONTROLLER FUNCTIONS | |
|------------------------------------|-----|
| Auto Mode | Yes |
| Auto Fan | Yes |
| Auto Swing (Horizontal Auto Swing) | No |
| Auto Swing (Vertical Auto Swing) | Yes |
| Clock | Yes |
| Dry Mode | Yes |
| Dry Anti-Mildew (X-Fan) Mode | Yes |
| Energy Saving Mode | Yes |
| Dirty Filter Alert | No |
| Fan Speed Control (7 Speeds) | Yes |
| I Feel Function | Yes |
| Privacy Lock | Yes |
| Quiet Mode | No |
| Room Temperature Display | No |
| Sleep Mode | Yes |
| Normal Sleep Mode Option | Yes |
| Timer Mode | Yes |
| Turbo Mode | Yes |
| Display On/Off Control | Yes |
| Freeze Guard Mode | Yes |
| Power Failure Mode | Yes |



| Dimensions | |
|------------|---------|
| A | 26 3/8 |
| B | 26 3/8 |
| C | 23 5/8 |
| D | 19 1/2 |
| E | 5 11/16 |
| F | 9 7/16 |
| G | 23 1/2 |



| Clearances | |
|------------|-----|
| A | 7/8 |
| B | 60 |
| C | 98 |
| H | 10 |

Unit: in