

SUBMITTAL DATA

FLEXE42HP230V1AH / FLEXE42HP230V1AO
42000 BTU/H Unitary Heat Pump Split System

Job Name

Location

Date

Purchaser

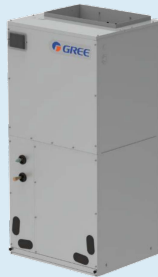
Engineer

Submitted to

For

Unit Designation

Schedule No.



FLEXE42HP230V1AH



FLEXE42HP230V1AO

GENERAL FEATURES

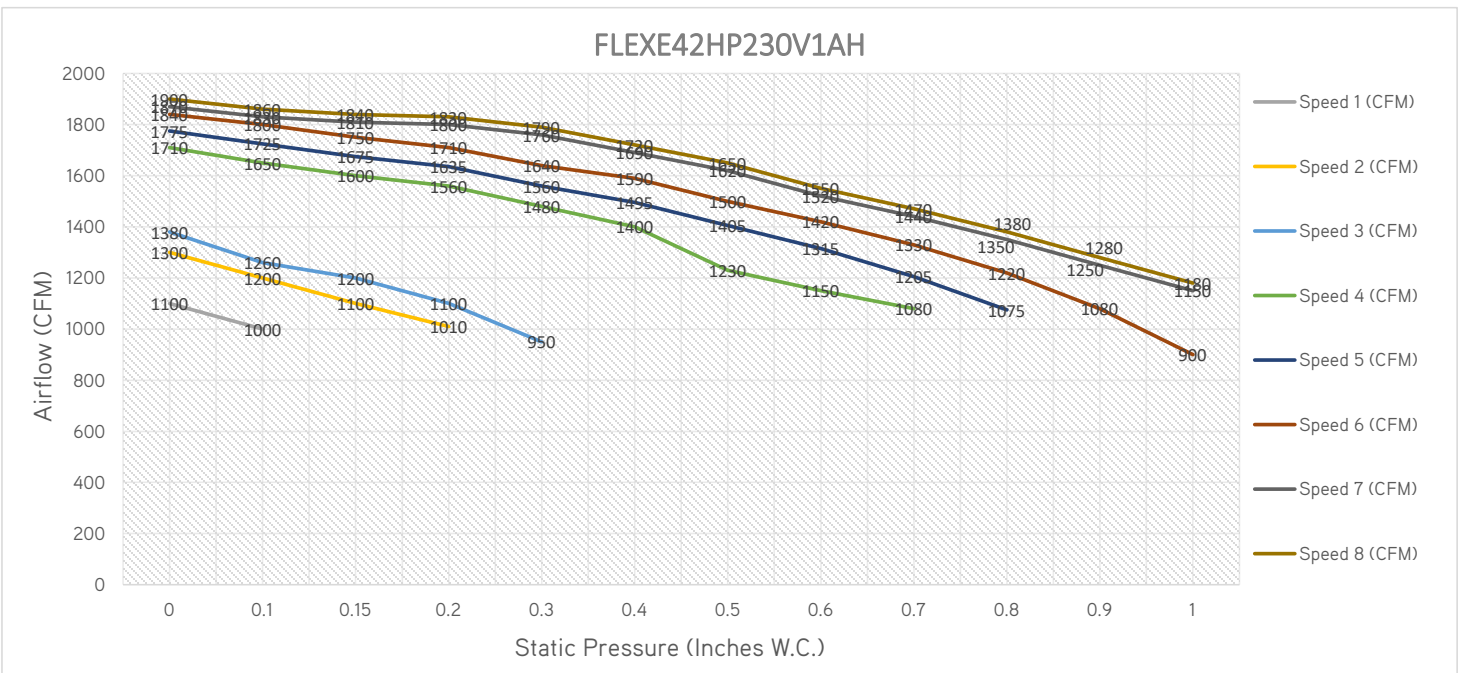
- AHRI Certificate: [211078850](#)
- High Efficiency DC Inverter Technology
- 24VAC Thermostat Compatible
- Zero Lot Line Design
- 8 Speed Fan Motor
- Matched with GREE Indoor Unit
- Designed for New Construction or Replacement Market
- Compact and Quiet, as low as 62 dB(A) Side Discharge Outdoor Unit
- Cooling and Heating down to -15°C (5°F)
- Coil (Outdoor) Copper Tube/Aluminum Fin with Anti-Corrosion Coil Coating (Gold Colored Fin - 1500Hr Salt Spray Rating)
- Coil (Indoor) Copper Tube/Aluminum Fin with Anti-Corrosion Coil Coating (Blue Colored Fin - 500Hr Salt Spray Rating)

SPECIFICATIONS, FEATURES & FUNCTION SUMMARY

SPECIFICATIONS		FLEXE42HP230V1AH / FLEXE42HP230V1AO		FEATURES & FUNCTIONS SUMMARY		FLEXE42HP230V1AH / FLEXE42HP230V1AO	
System Type		HEAT PUMP					
SYSTEM PERFORMANCE				SYSTEM FEATURES			
Cooling	Min - Max	Btu/h	27550 - 43000		Compressor	Inverter	
	Capacity @95°F	Btu/h	40000		Ultra Low Frequency Torque Control	Yes	
Heating	Min - Max	Btu/h	19975 - 44000		Power Factor Correction	Yes	
	Capacity @5°F	Btu/h	23400		Compressor Type	Rotary	
	Capacity @17°F	Btu/h	25000		Refrigerant Type	R410A	
	Capacity @47°F	Btu/h	40000		Outdoor Electronic Expansion Valve (EEV)	Yes	
SEER2			15.5		Indoor TXV Control	Yes	
EER2			10		Basepan With Electric Heater	Yes	
HSPF2			7.8		Compressor With Electric Heater	Yes	
COP @5°F			1.8		Fin Coating (Outdoor - Golden & Indoor - Blue)	Acrylic Resin	
COP @47°F			2.8		Intelligent Defrosting	Yes	
Cooling Temperature Range		°F	5 - 118		Intelligent Preheating	Yes	
Heating Temperature Range		°F	5 - 75		Low Voltage Startup	Yes	
Refrigerant Type			R410A		Memory/Power Failure Recovery	Yes	
INDOOR UNIT		FLEXE42HP230V1AH					
Power Supply	VAC	208-230V / 1Ph / 60 Hz		Self Diagnosis	Yes		
Sound Pressure Level	dB(A)	53		Low Ambient Cooling	No		
Control Voltage	VAC	24		24VAC Thermostat Compatible	Yes		
Rated Current Cooling	A	5		Indoor Fan Type	Centrifugal		
Rated Current Heating	A	5		Multi Fan Speeds	8		
MCA	A	5		Auxiliary Electrical Heater	Optional		
MOCP	A	15					
Electric Heater (Optional)	kW	5, 8, 10					
Air Flow	CFM	12300					
External Static Pressure (Up to)	In W.c.	1.0					
Dehumidification	pt/hr	12.13					
External Dimensions (W x H x D)	in	21-1/4 x 48-1/4 x 21-1/4					
Package Dimension (W x H x D)	in	26 x 50-7/16 x 23-3/4					
Net Weight	lbs	154.3					
Gross Weight	lbs	167.6					
OUTDOOR UNIT		FLEXE42HP230V1AO					
Power Supply	VAC	208-230V / 1Ph / 60 Hz					
Sound Pressure Level	dB(A)	62					
Control Voltage	VAC	24					
Rated Current Cooling	A	22					
Rated Current Heating	A	20.8					
MCA	A	25.5					
MOCP	A	35					
External Dimensions (W x H x D)	in	37-1/8 x 32-1/2 x 14-5/8					
Package Dimension (W x H x D)	in	43 x 34-7/8 x 19-5/8					
Net Weight	lbs	152.1					
Gross Weight	lbs	163.1					
Refrigerant Charge - R410A	oz	123.5					
Additional Charge	oz/ft	0.32					
REFRIGERANT PIPING							
Line Set Size (Liquid - Gas) - Flared Connections	in	3/8 - 3/4					
Pre-Charge Length	ft	31					
Pipe Length (Min - Max)	ft	10 - 164					
Max. Pipe Elevation	ft	98.4					

FAN PERFORMANCE

Static Pressure (Inches W.C.)	0	0.1	0.15	0.2	0.3	0.4	0.5	0.6	0.7	0.8	0.9	1
Speed 1 (CFM)	1100	1000										
Speed 2 (CFM)	1300	1200	1100	1010								
Speed 3 (CFM)	1380	1260	1200	1100	950							
Speed 4 (CFM)	1710	1650	1600	1560	1480	1400	1230	1150	1080			
Speed 5 (CFM)	1775	1725	1675	1635	1560	1495	1405	1315	1205	1075		
Speed 6 (CFM)	1840	1800	1750	1710	1640	1590	1500	1420	1330	1220	1080	900
Speed 7 (CFM)	1870	1830	1810	1800	1760	1690	1620	1520	1440	1350	1250	1150
Speed 8 (CFM)	1900	1860	1840	1830	1790	1720	1650	1550	1470	1380	1280	1180



NOTE:

1. Above chart CFM ratings are based on dry coil with factory filter installed.
2. For wet coil CFM ratings, multiply the CFM by 0.96 correction factor.

DIMENSIONS

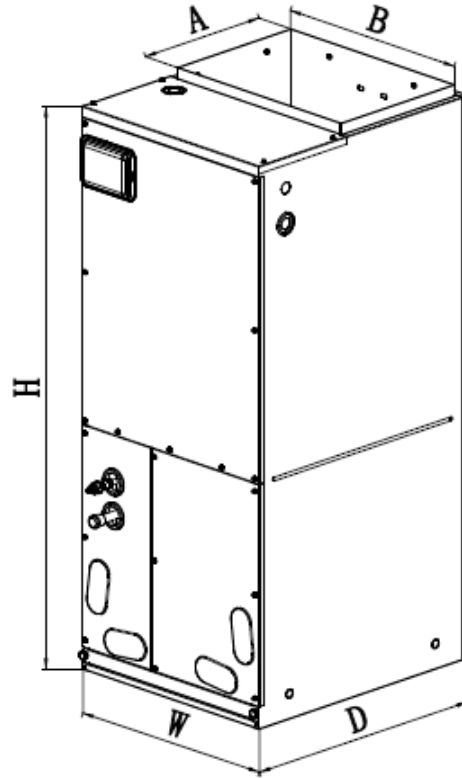
INDOOR UNIT

Unit: inch

FLEXE42HP230V1AH	
DIMENSIONS	
A	11-5/8"
B	9-1/2"
H	48-1/4"
W	21-1/4"
D	21-1/4"

FILTER SIZE	
Supplied*	19-1/4" x 20-3/8" x 5/8"
Suggested	19-1/4" x 20-3/8" x 1"

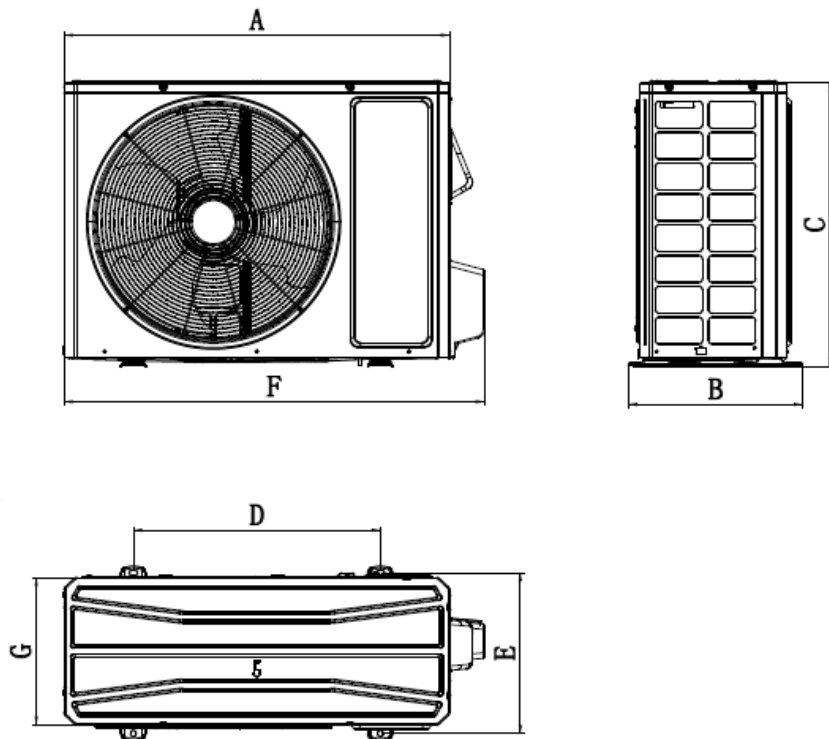
*Supplied filter is metal mesh



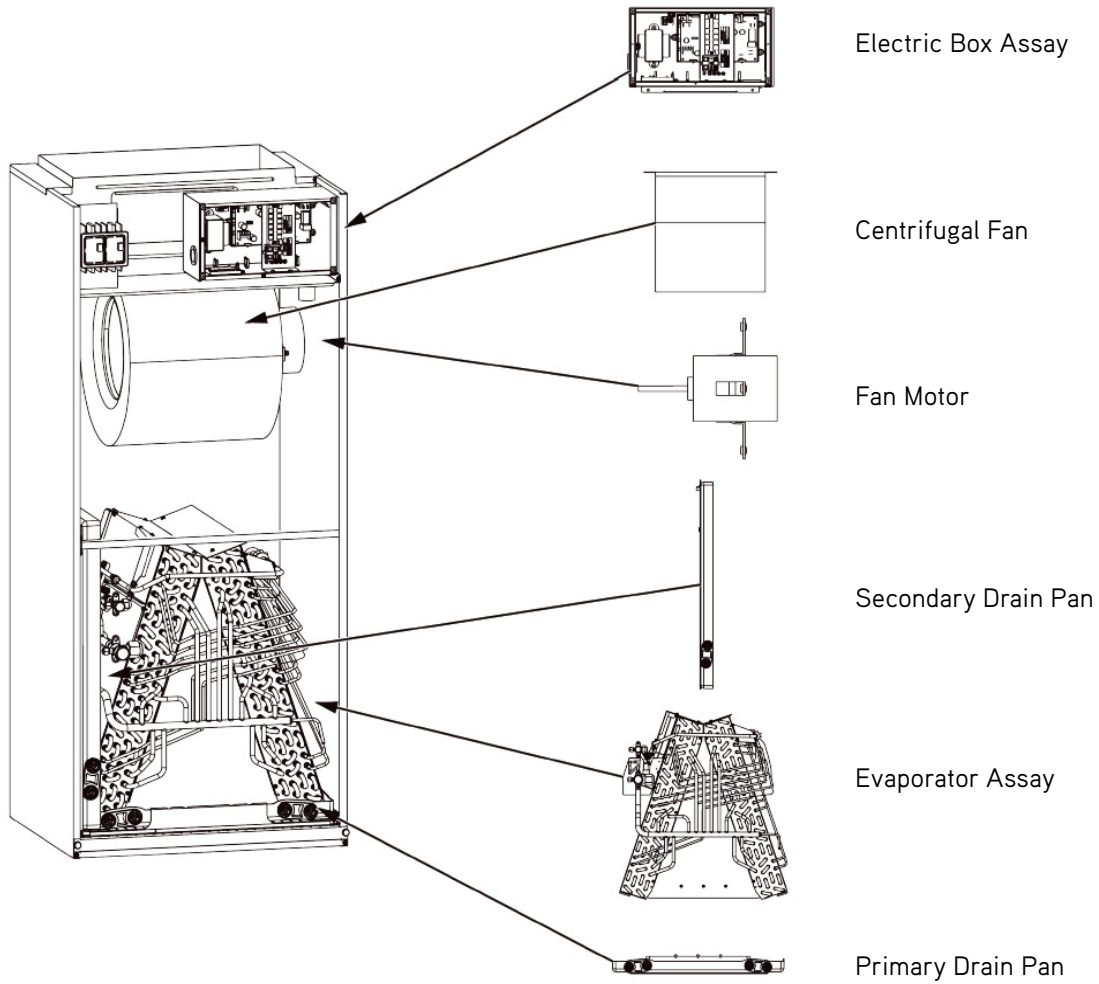
OUTDOOR UNIT

Unit: inch

FLEXE42HP230V1AO	
DIMENSIONS	
A	37-1/8"
B	15-13/16"
C	32-1/2"
D	22-7/16"
E	14-9/16"
F	38-1/4"
G	14-5/8"



ACCESSORY HEATER AND GENERAL INFORMATION



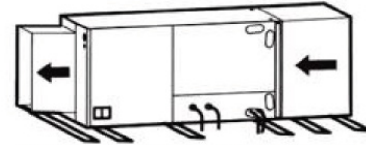
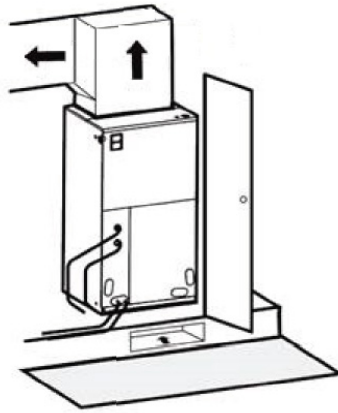
Model	Heat Kit Model	Electric Heat (kW)		Min. Circuit Ampacity (A)		Max Fuse or Breaker (A)	
		208V	230V	208V	230V	208V	230V
FLEXE42HP230V1AH	ECOHTR05KW	3.74	4.6	31	33	35	35
	ECOHTR08KW	6.03	7.36	44	48	45	50
	ECOHTR10KW	7.49	9.2	53	58	60	60

CLEARANCES

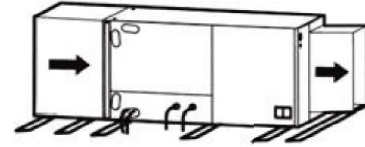
INDOOR UNIT

Minimum clearance

FRONT > 24



Horizontal Left Configuration - No Modification Needed



Horizontal Right Configuration - Must Relocate Drain Pan

NOTE:

Allow a minimum of 24" in front of the unit for service clearance. When installing in an area directly over a finished ceiling (such as an attic), an emergency drain pan is required directly under the unit. **See local and state codes for requirements.** When installing this unit in an area that may become wet, elevate the unit with a sturdy, non-porous material. In installations that may lead to physical damage (i.e. a garage) it is advised to install a protective barrier to prevent such damage. This air handler is designed for a complete supply and return ductwork system.

OUTDOOR UNIT

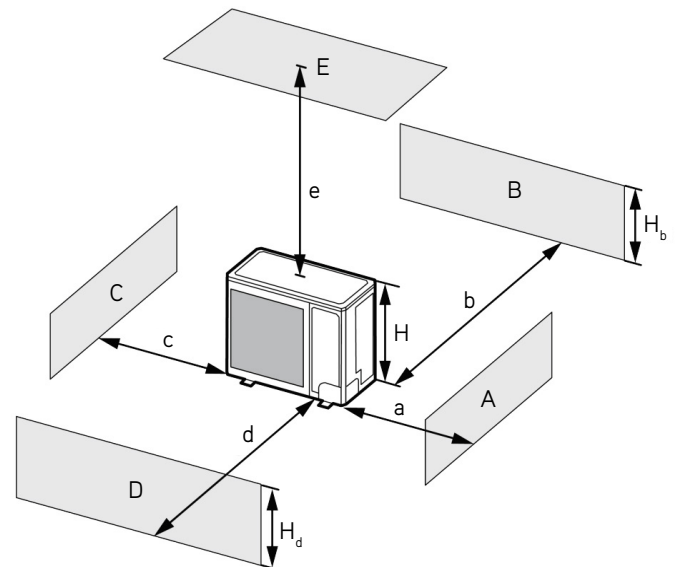
Minimum clearance

NOTE:

Install the Outdoor Unit **2 Inches** Above the Expected Snow Line

1. When one outdoor unit is to be installed.

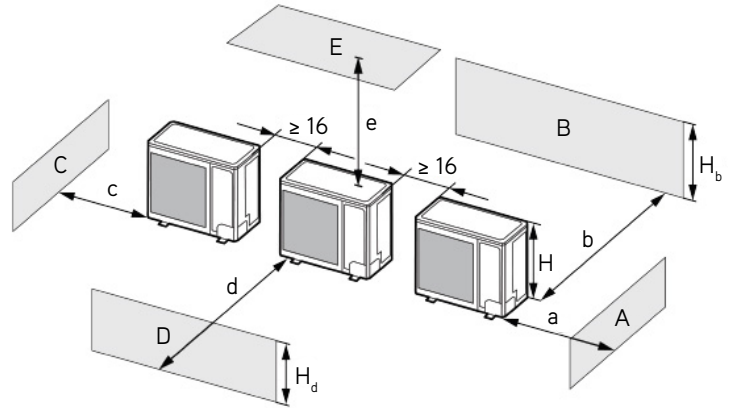
A - E	H_b H_d H		(in)				
			a	b	c	d	e
B	-	-	-	≥ 4	-	-	-
A, B, C	-	-	≥ 12	≥ 4	≥ 4	-	-
B, E	-	-	-	≥ 4	-	-	≥ 40
A, B, C, E	-	-	≥ 12	≥ 6	≥ 6	-	≥ 40
D	-	-	-	-	-	≥ 40	-
D, E	-	-	-	-	-	≥ 40	≥ 40
B, D	$H_b < H_d$	$H_d < H$	-	≥ 4	-	≥ 40	-
	$H_b > H_d$	$H_d > H$	-	≥ 4	-	≥ 40	-
B, D, E	-	$H_b \leq 1/2H$	-	≥ 10	-	≥ 80	≥ 40
	$H_b < H_d$	$1/2H < H_b \leq H$	-	≥ 10	-	≥ 80	≥ 40
	-	$H_b > H$	Prohibited				
	$H_b > H_d$	$H_b \leq 1/2H$	-	≥ 4	-	≥ 80	≥ 40
	$H_b > H_d$	$1/2H < H_b \leq H$	-	≥ 8	-	≥ 80	≥ 40
-	$H_b > H$	Prohibited					



CLEARANCES

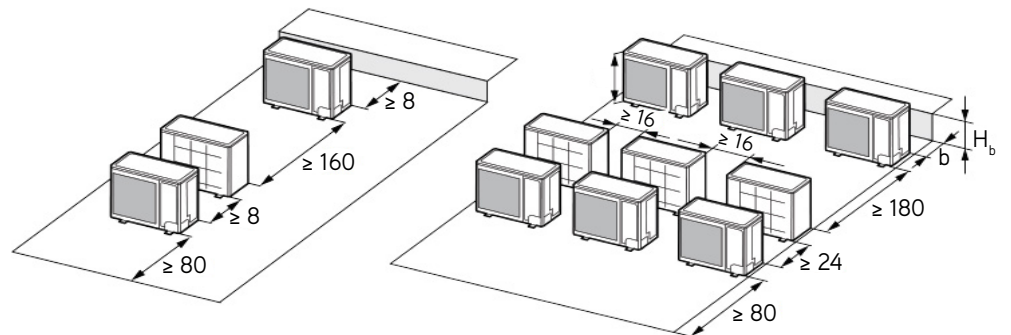
2. When two or more outdoor units are to be installed side by side.

A - E	H_b H_d H	(in)					
		a	b	c	d	e	
A, B, C	-	≥ 12	≥ 12	≥ 40	-	-	
A, B, C, E	-	≥ 12	≥ 12	≥ 40	-	≥ 40	
D	-	-	-	-	≥ 80	-	
D, E	-	-	-	-	≥ 80	≥ 40	
B, D	$H_b < H_d$	$H_d > H$	-	≥ 12	-	≥ 80	
	$H_b > H_d$	$H_d \leq 1/2H$	-	≥ 10	-	≥ 80	
B, D, E	$H_b > H_d$	$1/2H < H_b \leq H$	-	≥ 12	-	≥ 100	
		$H_b \leq 1/2H$	-	≥ 12	-	≥ 80	
	$H_b < H_d$	$1/2H < H_b \leq H$	-	≥ 12	-	≥ 100	
		$H_b > H$	Prohibited				
	$H_b > H_d$	$H_d \leq 1/2H$	-	≥ 10	-	≥ 100	≥ 40
		$1/2H < H_d \leq H$	-	≥ 12	-	≥ 100	≥ 40
	$H_d > H$	Prohibited					

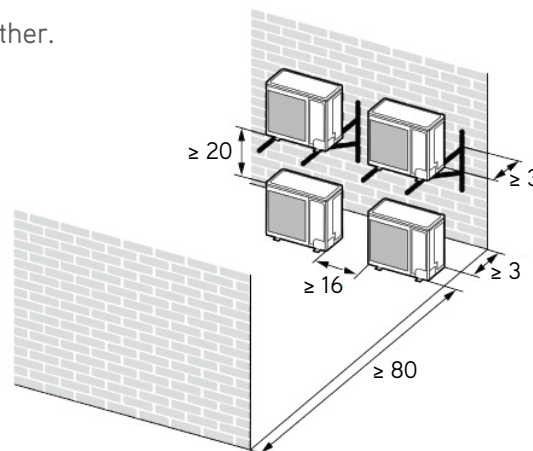


3. When outdoor units are installed in rows.

H_b H_d	(in)
$H_b \leq 1/2H$	$b \leq 10$
$1/2H < H_b \leq H$	$b \leq 12$
$H_b > H_d$	Prohibited



4. When outdoor units are installed one above another.



Specifications are subject to change without notice. Manufacturer reserves the right to discontinue or modify specifications or designs without notice or without incurring obligations. All Rights reserved.