



PARTS MANUAL

Outdoor Unit

MODELS:

LIVV09HP115V1AO
LIVV12HP115V1AO
LIVV09HP230V1AO
LIVV12HP230V1AO
LIVV18HP230V1AO
LIVV24HP230V1AO
LIVV30HP230V1AO
LIVV36HP230V1AO

Indoor Unit

MODELS:

LIVV09HP115V1AH
LIVV12HP115V1AH
LIVV09HP230V1AH
LIVV12HP230V1AH
LIVV18HP230V1AH
LIVV24HP230V1AH
LIVV30HP230V1AH
LIVV36HP230V1AH

Thank you for choosing our product.
Please read this Parts Manual carefully before operation and
retain it for future reference.

If you lose this Manual, please contact your local distributor or
visit www.greecomcomfort.com/resources now to download and
file the electronic version.

Table of Contents

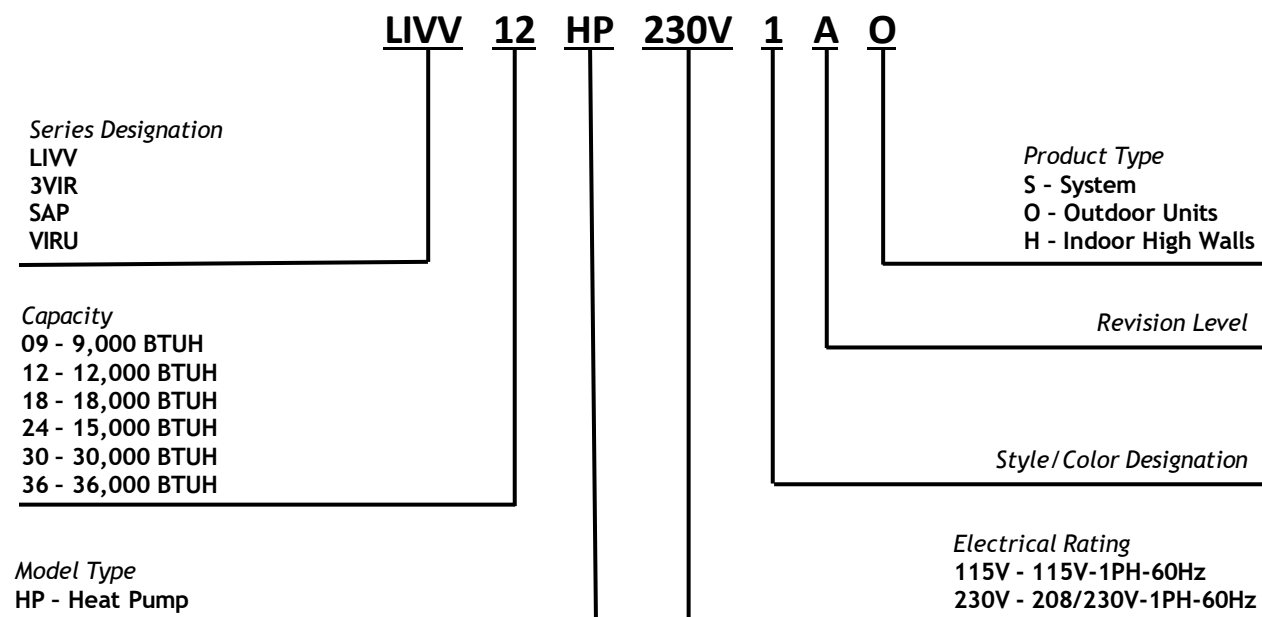
| | |
|--|-----------|
| <i>NOMENCLATURE</i> | <i>4</i> |
| <i>LIVV09HP115V1AH EV</i> | <i>5</i> |
| <i>LIVV09HP115V1AH Parts Lists</i> | <i>6</i> |
| <i>LIVV09HP115V1AO EV</i> | <i>7</i> |
| <i>LIVV09HP115V1AO Parts Lists</i> | <i>8</i> |
| <i>LIVV12HP115V1AH EV</i> | <i>9</i> |
| <i>LIVV12HP115V1AH Parts Lists.....</i> | <i>10</i> |
| <i>LIVV12HP115V1AO EV.....</i> | <i>11</i> |
| <i>LIVV12HP115V1AO Parts Lists.....</i> | <i>12</i> |
| <i>LIVV09HP230V1AH EV.....</i> | <i>13</i> |
| <i>LIVV09HP230V1AH Parts Lists</i> | <i>14</i> |
| <i>LIVV09HP230V1AO EV</i> | <i>15</i> |
| <i>LIVV09HP230V1AO Parts Lists</i> | <i>16</i> |
| <i>LIVV12HP230V1AH EV</i> | <i>17</i> |
| <i>LIVV12HP230V1AH Parts Lists.....</i> | <i>18</i> |
| <i>LIVV12HP230V1AO EV.....</i> | <i>19</i> |
| <i>LIVV12HP230V1AO Parts Lists</i> | <i>20</i> |

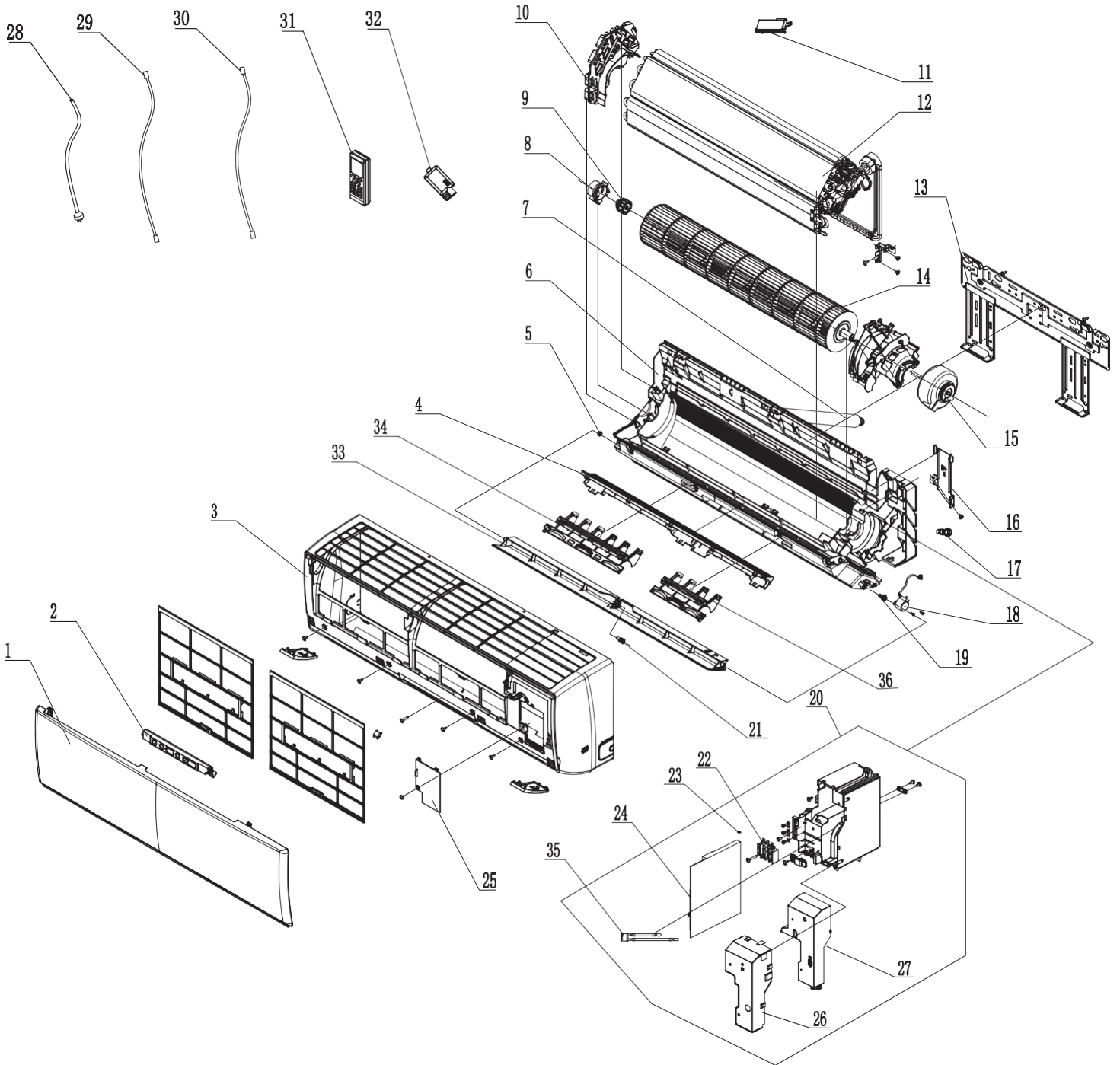
| | |
|--|--------------|
| <i>LIVV18HP230V1AH EV</i> | <i>21</i> |
| <i>LIVV18HP230V1AH Parts Lists.....</i> | <i>22</i> |
| <i>LIVV18HP230V1AO EV.....</i> | <i>23</i> |
| <i>LIVV18HP230V1AO Parts Lists.....</i> | <i>24</i> |
| <i>LIVV24HP230V1AH EV</i> | <i>25</i> |
| <i>LIVV24HP230V1AH Parts Lists</i> | <i>26</i> |
| <i>LIVV24HP230V1AO EV</i> | <i>27</i> |
| <i>LIVV24HP230V1AO Parts Lists</i> | <i>28</i> |
| <i>LIVV30HP230V1AH EV</i> | <i>29</i> |
| <i>LIVV30HP230V1AH Parts Lists.....</i> | <i>30-31</i> |
| <i>LIVV30HP230V1AO EV</i> | <i>32</i> |
| <i>LIVV30HP230V1AO Parts Lists.....</i> | <i>33</i> |
| <i>LIVV36HP230V1AH EV</i> | <i>34</i> |
| <i>LIVV36HP230V1AH Parts Lists</i> | <i>35-36</i> |
| <i>LIVV36HP230V1AO EV</i> | <i>37</i> |
| <i>LIVV36HP230V1AO Parts Lists</i> | <i>38</i> |

Nomenclature

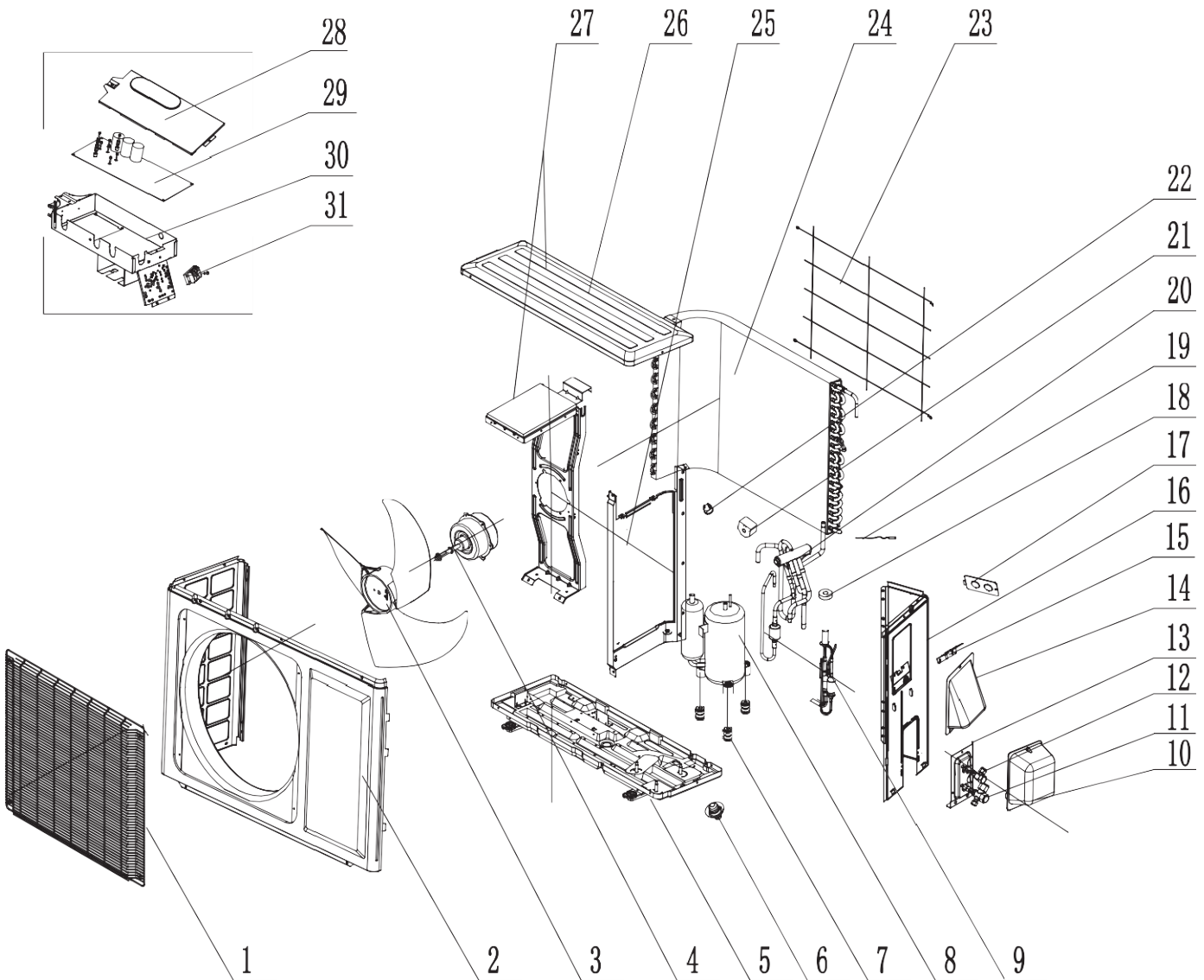


EXAMPLE: LIVV12HP230V1A O

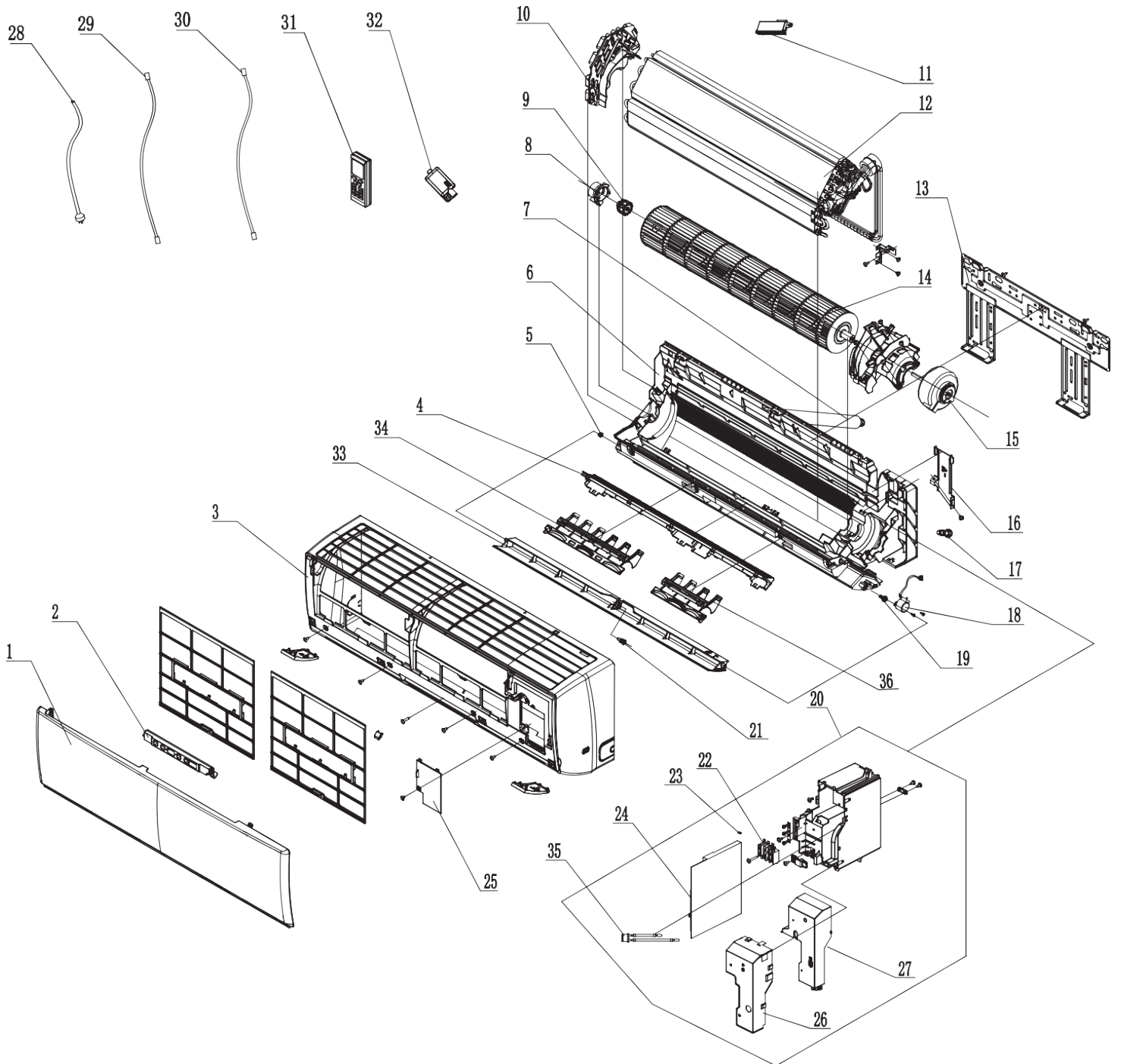




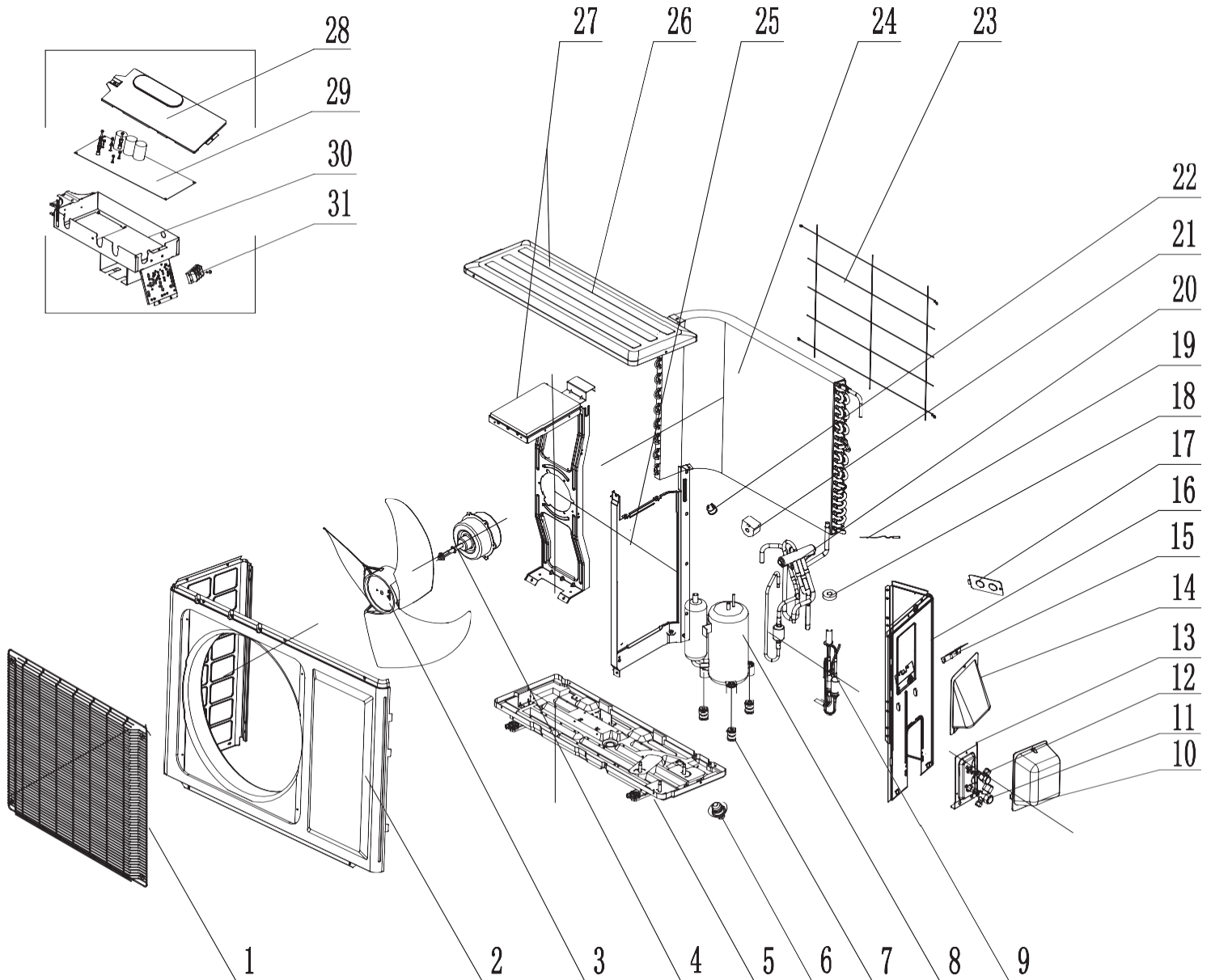
| NO. | Part Description | Qty | Part Code |
|-----|------------------------------------|-----|----------------|
| 1 | Front Panel | 1 | 20000300019T |
| 2 | Display Board | 1 | 30565260 |
| 3 | Front Case Assy | 1 | 00000200040 |
| 4 | Helicoid Tongue | 1 | 26112508 |
| 5 | Left Axile Bush | 1 | 10512037 |
| 6 | Rear Case Assy | 1 | 00000100066 |
| 7 | Drainage Hose | 1 | 0523001408 |
| 8 | Ring of Bearing | 1 | 26152022 |
| 9 | O-Gasket sub-Assy of Bearing | 1 | 76512051 |
| 10 | Evaporator Support | 1 | 24212180 |
| 11 | Cold Plasma Generator | 0 | none |
| 12 | Evaporator Assy | 1 | 0100200004407 |
| 13 | Wall Mounting Frame | 1 | 012043000008 |
| 14 | Cross Flow Fan | 1 | 10352059 |
| 15 | Fan Motor | 1 | 1501208902 |
| 16 | Connecting pipe clamp | 1 | 2611216401 |
| 17 | Rubber Plug (Water Tray) | 1 | 76712012 |
| 18 | Stepping Motor | 1 | 1521212901 |
| 19 | Crank | 1 | 73012005 |
| 20 | Electric Box Assy | 1 | 100002001620 |
| 21 | Axile Bush | 1 | 10542036 |
| 22 | Terminal Board | 1 | 42011233 |
| 23 | Jumper | 1 | 4202021911 |
| 24 | Main Board | 1 | 300002000307 |
| 25 | Electric Box Cover Sub-Assy | 1 | 0140206501 |
| 26 | Shield Cover of Electric Box Cover | 1 | 01705306007501 |
| 27 | Electric Box Cover | 0 | none |
| 28 | Power Cord | 0 | none |
| 29 | Connecting Cable | 0 | none |
| 30 | Connecting Cable | 0 | none |
| 31 | Remote Control | 1 | 305001060022 |
| 32 | Checking Panel Assy | 1 | 000409000003 |
| 33 | Guide Louver | 1 | 1051276301 |
| 34 | Swing Louver | 1 | 10512719 |
| 35 | Temperature Sensor | 1 | 3900031302 |
| 36 | Swing Louver | 1 | 10512721 |



| NO. | Part Description | Qty | Part Code |
|-----|-----------------------------------|-----|----------------|
| 1 | Front Grill | 1 | 01473012 |
| 2 | Cabinet | 1 | 0143305801P |
| 3 | Axial Flow Fan | 1 | 10333004 |
| 4 | Brushless DC Motor | 1 | 1501308511 |
| 5 | Chassis Sub-Assy | 1 | 017000060764P |
| 6 | Drainage Connector | 1 | 06123401 |
| 7 | Compressor Gasket | 3 | 76710302 |
| 8 | Compressor and Fittings | 1 | 00103862 |
| 9 | Electric Expansion Valve Sub-Assy | 1 | 030026000199 |
| 10 | Valve Cover | 1 | 2012300101 |
| 11 | Valve | 1 | 07100003 |
| 12 | Cut off Valve | 1 | 071302391 |
| 13 | Valve Support | 1 | 0170308901P |
| 14 | Cable Cross Plate 2 | 1 | 02123014P |
| 15 | Cable Cross Plate 1 | 1 | 02123013P |
| 16 | Right Side Plate Sub-Assy | 1 | 00013006002002 |
| 17 | Cover of Pass Wire | 1 | 01413069 |
| 18 | Electric Expand Valve Fitting | 1 | 07200206002229 |
| 19 | Temperature Sensor | 1 | 3900030805 |
| 20 | 4-Way Valve Assy | 1 | 030152060724 |
| 21 | Magnet Coil | 1 | 4300307301 |
| 22 | Compressor Overload | 1 | 00180030 |
| 23 | Rear Grill | 1 | 01473057 |
| 24 | Condenser Assy | 1 | 011002000509 |
| 25 | Clapboard Sub-Assy | 1 | 0123314201 |
| 26 | Top Cover | 1 | 01253107P |
| 27 | Motor Support | 1 | 01703104 |
| 28 | Electric Box Cover Sub-Assy | 0 | none |
| 29 | Main Board | 1 | 300027061852 |
| 30 | Electric Box Assy | 1 | 100002072694 |
| 31 | Terminal Board | 1 | 422000060075 |



| NO. | Part Description | Qty | Part Code |
|-----|------------------------------------|-----|----------------|
| 1 | Front Panel | 1 | 20000300018T |
| 2 | Display Board | 1 | 30565260 |
| 3 | Front Case Assy | 1 | 00000200045 |
| 4 | Helicoid Tongue | 1 | 26112436 |
| 5 | Left Axile Bush | 1 | 10512037 |
| 6 | Rear Case Assy | 1 | 00000100093 |
| 7 | Drainage Hose | 1 | 05230014 |
| 8 | Ring of Bearing | 1 | 26152022 |
| 9 | O-Gasket sub-Assy of Bearing | 1 | 76512051 |
| 10 | Evaporator support | 1 | 24212179 |
| 11 | Cold Plasma Generator | 0 | none |
| 12 | Evaporator Assy | 1 | 0100297601 |
| 13 | Wall Mounting Frame | 1 | 01204300000401 |
| 14 | Cross Flow Fan | 1 | 10352056 |
| 15 | Fan Motor | 1 | 1501214605 |
| 16 | Connecting pipe clamp | 1 | 2611216401 |
| 17 | Rubber Plug (Water Tray) | 1 | 76712012 |
| 18 | Stepping Motor | 1 | 1521210710 |
| 19 | Crank | 1 | 73012005 |
| 20 | Electric Box Assy | 1 | 100002001623 |
| 21 | Axile Bush | 1 | 10542036 |
| 22 | Terminal Board | 1 | 42011233 |
| 23 | Jumper | 1 | 4202021917 |
| 24 | Main Board | 1 | 300002000307 |
| 25 | Electric Box Cover Sub-Assy | 1 | 0140206501 |
| 26 | Shield Cover of Electric Box Cover | 1 | 01705306007501 |
| 27 | Electric Box Cover | 0 | none |
| 28 | Power Cord | 0 | none |
| 29 | Connecting Cable | 0 | none |
| 30 | Connecting Cable | 0 | none |
| 31 | Remote Control | 1 | 305001060022 |
| 32 | Checking Panel Assy | 1 | 000409000004 |
| 33 | Guide Louver | 1 | 1051293101 |
| 34 | Air Louver 1 | 1 | 10512723 |
| 35 | Temperature Sensor | 1 | 3900031302 |
| 36 | Air Louver 2 | 1 | 10512724 |

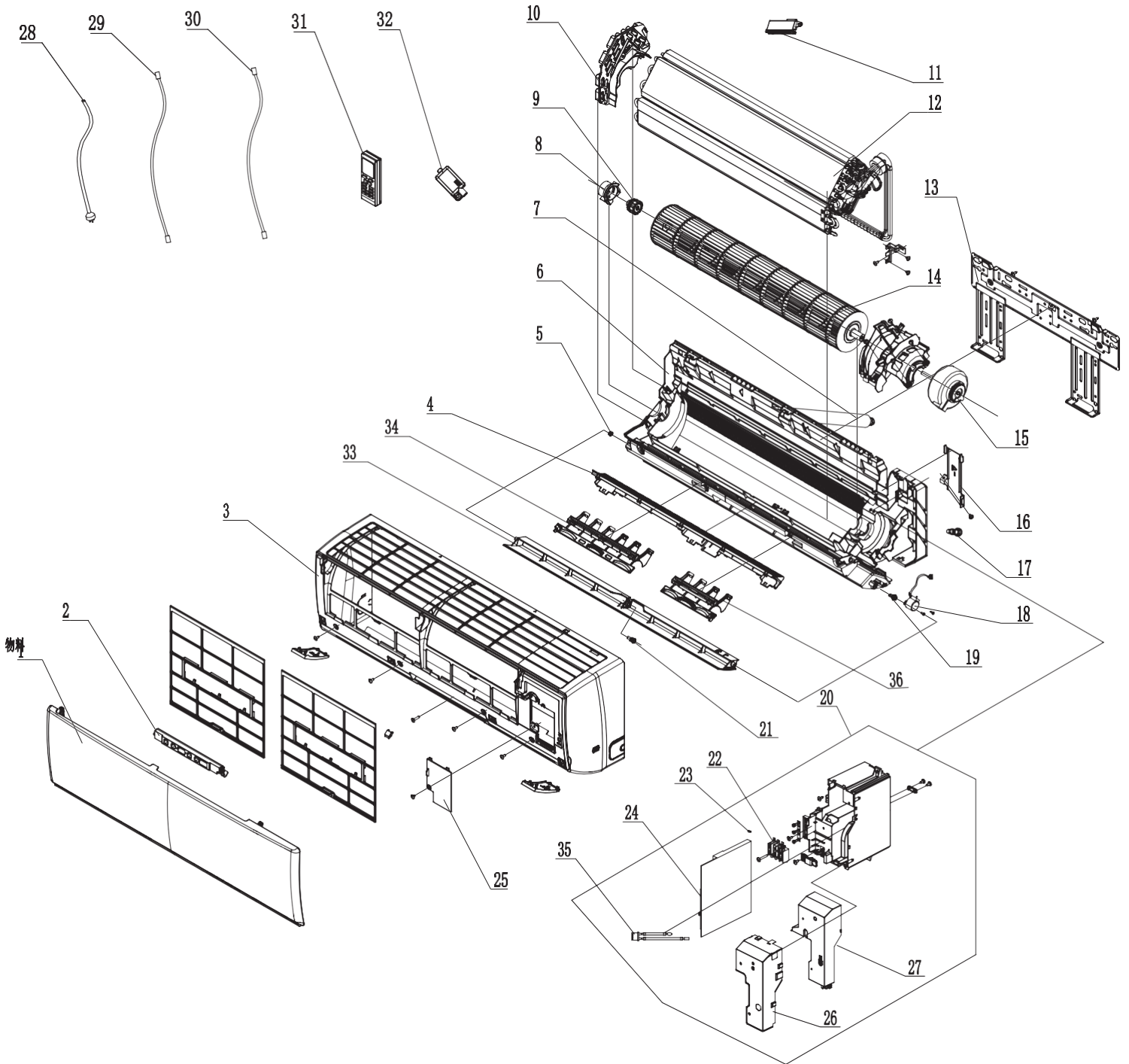




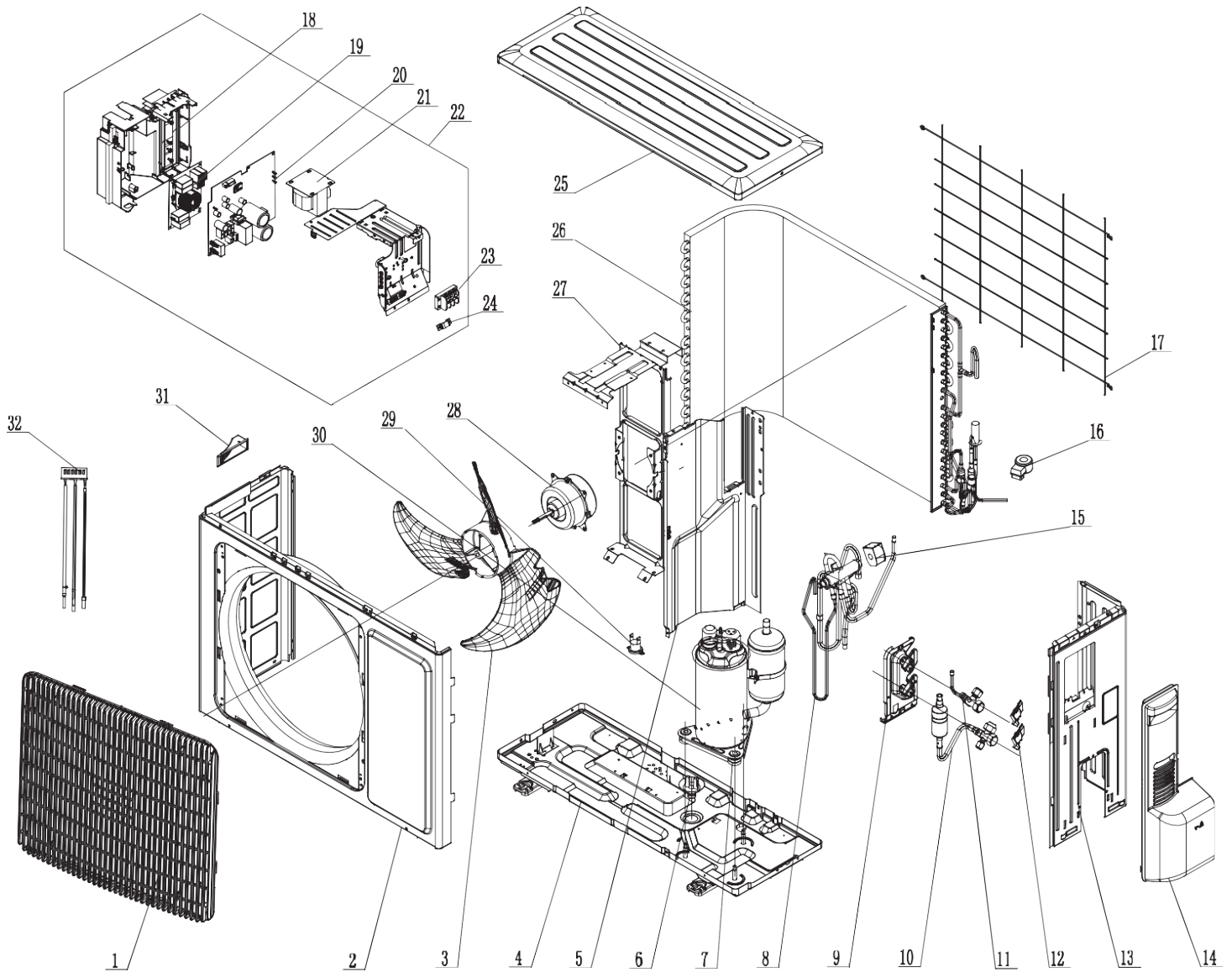
LIVV12HP115V1AO



| NO. | Part Description | Qty | Part Code |
|-----|--|-----|-----------------|
| 1 | Front Grill | 1 | 01473012 |
| 2 | Cabinet | 1 | 0143305801P |
| 3 | Axial Flow Fan | 1 | 10333004 |
| 4 | Brushless DC Motor | 1 | 1501308511 |
| 5 | Chassis Sub-Assy | 1 | 01700006076402P |
| 6 | Drainage Connector | 1 | 06123401 |
| 7 | Compressor Gasket | 3 | 76710302 |
| 8 | Compressor and Fittings | 1 | 00103862 |
| 9 | Electric Expansion Valve Sub-Assy | 1 | 030026000185 |
| 10 | Valve Cover | 1 | 2012300101 |
| 11 | Cut off Valve | 1 | 07130239 |
| 12 | Cut off Valve | 1 | 071302391 |
| 13 | Valve Support | 1 | 0170308901P |
| 14 | Cable Cross Plate 2 | 1 | 02123014P |
| 15 | Cable Cross Plate 1 | 1 | 02123013P |
| 16 | Right Side Plate Sub-Assy | 1 | 00013006002002 |
| 17 | Cover of Pass Wire | 1 | 01413069 |
| 18 | Electric Expand Valve Fitting | 1 | 07200206002229 |
| 19 | Temperature Sensor | 1 | 3900030805 |
| 20 | 4-Way Valve Assy | 1 | 030152060724 |
| 21 | Magnet Coil | 1 | 4300307301 |
| 22 | Compressor Overload Protector (External) | 1 | 00180030 |
| 23 | Rear Grill | 1 | 01473057 |
| 24 | Condenser Assy | 1 | 011002000466 |
| 25 | Clapboard Sub-Assy | 1 | 0123314201 |
| 26 | Top Cover | 1 | 01253107P |
| 27 | Motor Support | 1 | 0170310401 |
| 28 | Electric Box Cover Sub-Assy | 0 | none |
| 29 | Main Board | 1 | 300027061851 |
| 30 | Electric Box Assy | 1 | 100002072701 |
| 31 | Terminal Board | 1 | 422000060016 |



| NO. | Part Description | Qty | Part Code |
|-----|------------------------------------|-----|--------------|
| 1 | Front Panel | 1 | 20000300019T |
| 2 | Display Board | 1 | 30565260 |
| 3 | Front Case Assy | 1 | 00000200040 |
| 4 | Helicoid Tongue | 1 | 26112508 |
| 5 | Left Axile Bush | 1 | 10512037 |
| 6 | Rear Case Assy | 1 | 00000100066 |
| 7 | Drainage Hose | 1 | 0523001408 |
| 8 | Ring of Bearing | 1 | 26152022 |
| 9 | O-Gasket sub-Assy of Bearing | 1 | 76512051 |
| 10 | Evaporator Support | 1 | 24212180 |
| 11 | Cold Plasma Generator | 0 | none |
| 12 | Evaporator Assy | 1 | 01100100095 |
| 13 | Wall Mounting Frame | 1 | 012043000008 |
| 14 | Cross Flow Fan | 1 | 10352059 |
| 15 | Fan Motor | 1 | 1501208905 |
| 16 | Connecting pipe clamp | 1 | 2611216401 |
| 17 | Rubber Plug (Water Tray) | 1 | 76712012 |
| 18 | Stepping Motor | 1 | 1521212901 |
| 19 | Crank | 1 | 73012005 |
| 20 | Electric Box Assy | 1 | 100002067733 |
| 21 | Axile Bush | 1 | 10542036 |
| 22 | Terminal Board | 1 | 42011233 |
| 23 | Jumper | 1 | 4202021904 |
| 24 | Main Board | 1 | 300002061160 |
| 25 | Electric Box Cover Sub-Assy | 1 | 0140206501 |
| 26 | Shield Cover of Electric Box Cover | 1 | 01592150 |
| 27 | Electric Box Cover | 1 | 2011220701 |
| 28 | Power Cord | 0 | none |
| 29 | Connecting Cable | 0 | none |
| 30 | Connecting Cable | 0 | none |
| 31 | Remote Control | 1 | 305001060022 |
| 32 | Test Board Assy | 0 | none |
| 33 | Guide Louver | 1 | 1051276301 |
| 34 | Swing Louver | 1 | 10512721 |
| 35 | Temperature Sensor | 1 | 3900031302 |
| 36 | Swing Louver | 1 | 10512719 |

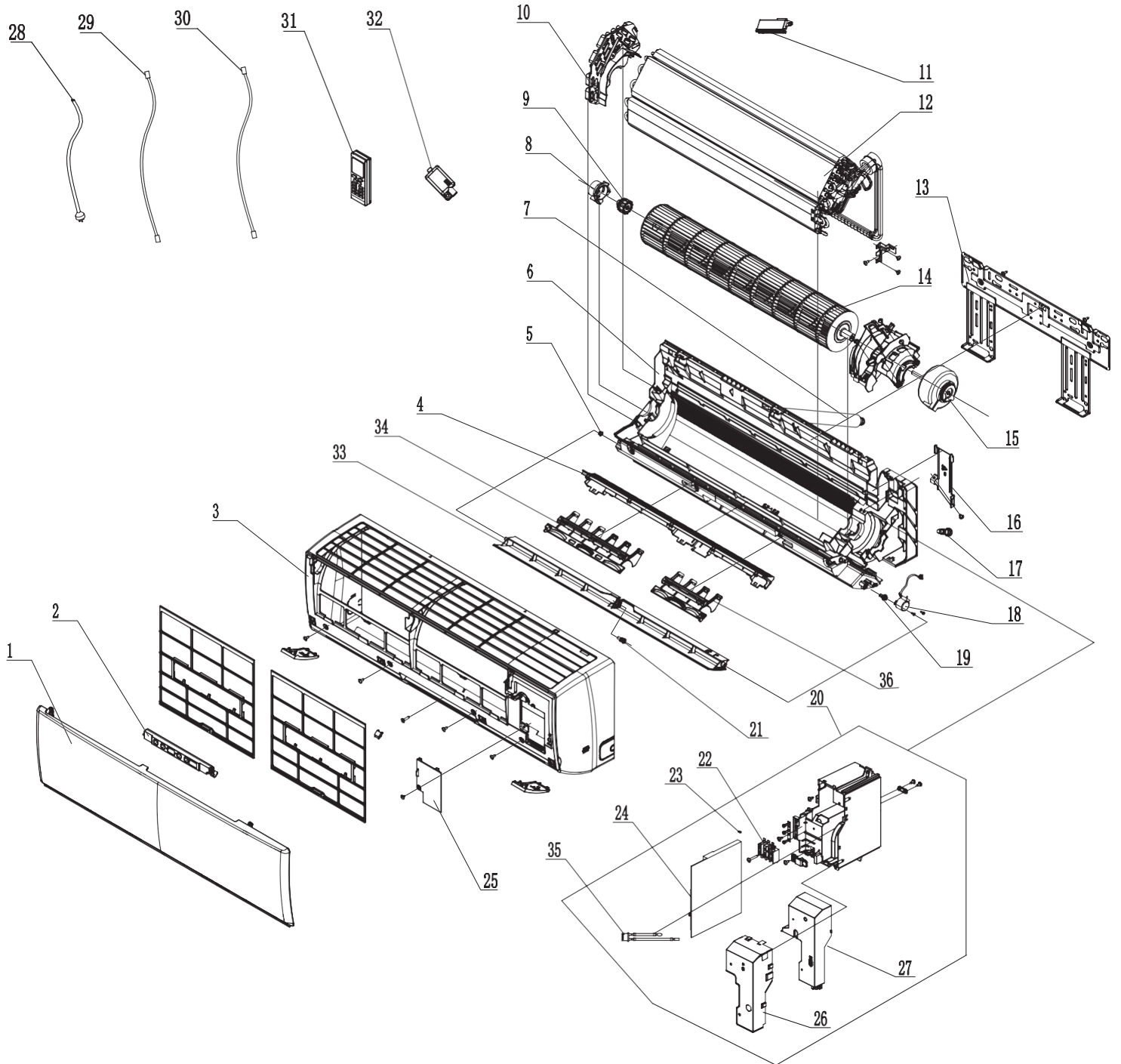




LIVV09HP230V1AO



| NO. | Part Description | Qty | Part Code |
|-----|-------------------------------|-----|-----------------|
| 1 | Front Grill | 1 | 01473012 |
| 2 | Front Panel | 1 | 01533034P |
| 3 | Axial Flow Fan | 1 | 10333004 |
| 4 | Chassis Sub-Assy | 1 | 01700006009601P |
| 5 | Clapboard Sub-Assy | 1 | 0123338502 |
| 6 | Drainage Connector | 1 | 06123401 |
| 7 | Compressor Gasket | 3 | 009012000027 |
| 8 | 4-way Valve Assy | 1 | 030152060087 |
| 9 | Valve Support | 1 | 0171314201P |
| 10 | Cut off Valve Assy | 1 | 07133691 |
| 11 | Valve | 1 | 07100003 |
| 12 | Valve Support Block | 2 | 26113017 |
| 13 | Right Side Plate | 1 | 0130306903 |
| 14 | Big Handle | 0 | none |
| 15 | Magnet Coil | 1 | 4300040050 |
| 16 | Electric Expand Valve Fitting | 0 | none |
| 17 | Rear Grill | 1 | 01473009 |
| 18 | Electric Box | 1 | 2011303301 |
| 19 | Filter Board | 0 | none |
| 20 | Main Board | 1 | 300027060985 |
| 21 | Reactor | 0 | none |
| 22 | Electric Box Assy | 1 | 100002067452 |
| 23 | Terminal Board | 1 | 422000060016 |
| 24 | Wire Clamp | 2 | 71010003 |
| 25 | Top Cover | 1 | 000051060086 |
| 26 | Condenser Assy | 1 | 011002060964 |
| 27 | Motor Support | 1 | 01703104 |
| 28 | Brushless DC Motor | 1 | 1501308511 |
| 29 | Compressor Overload | 1 | 00183031 |
| 30 | Compressor and Fittings | 1 | 009001060050 |
| 31 | Small Handle | 1 | 26233100 |
| 32 | Temperature Sensor | 1 | 3900030805 |

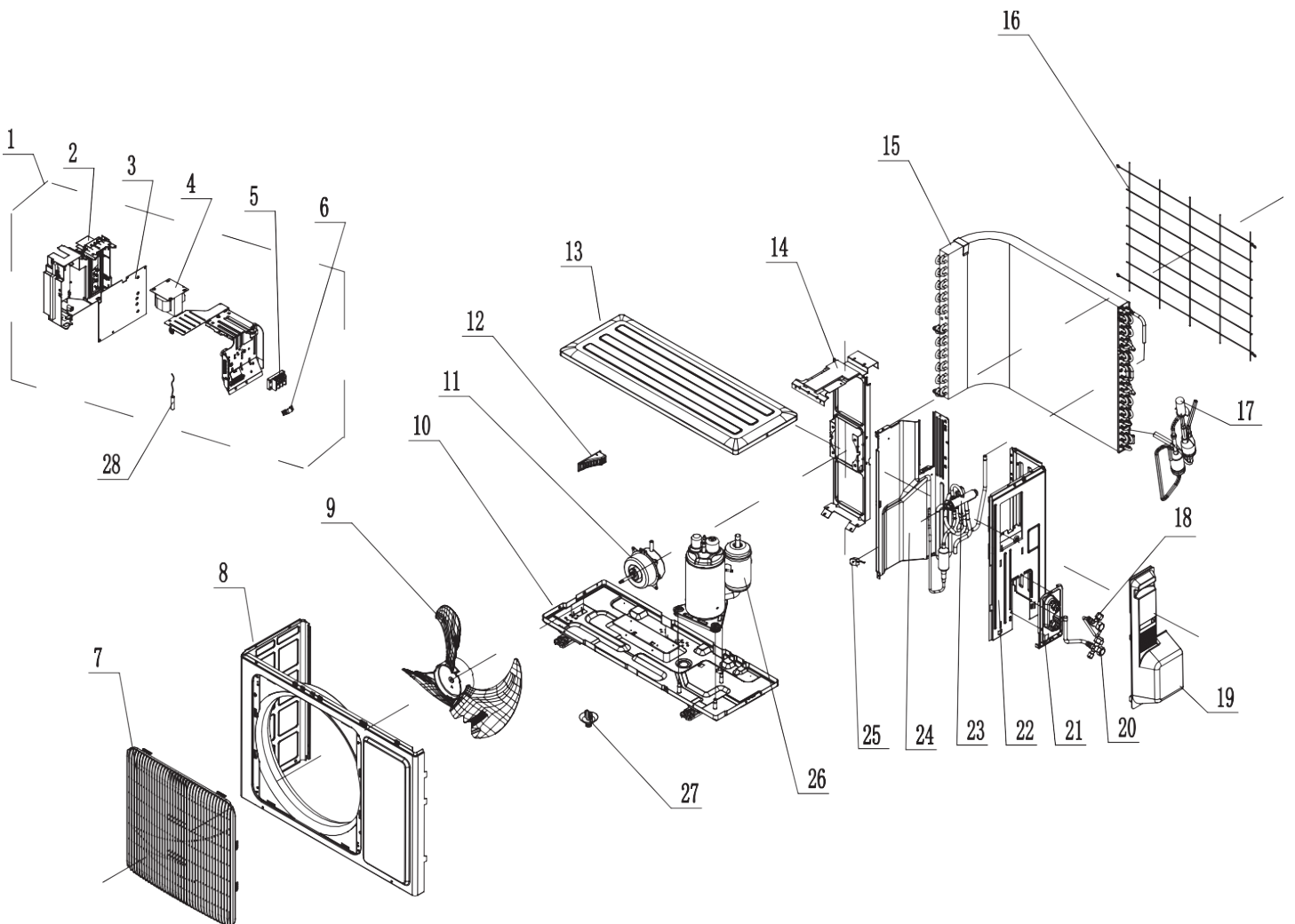




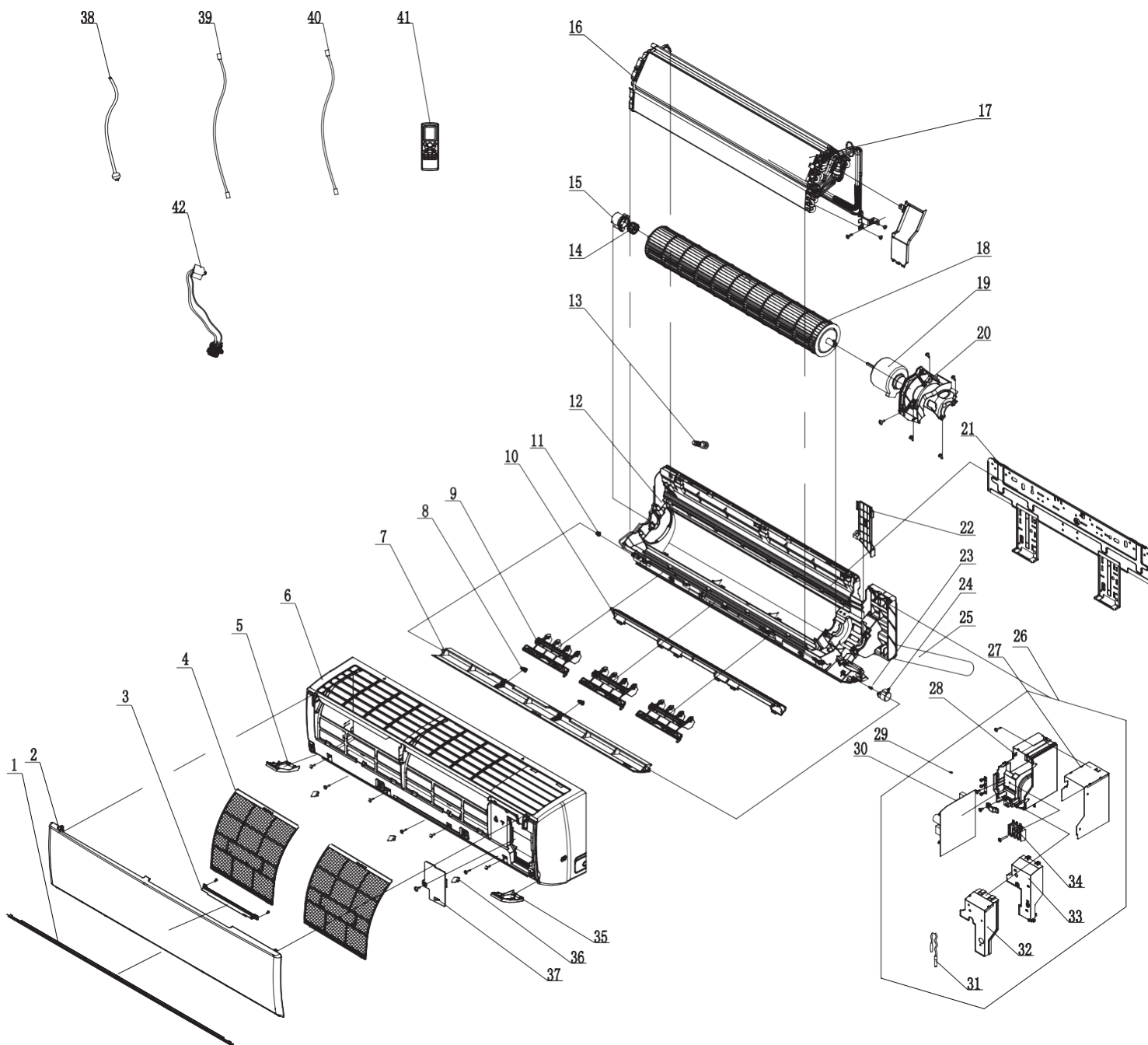
LIVV12HP230V1AH



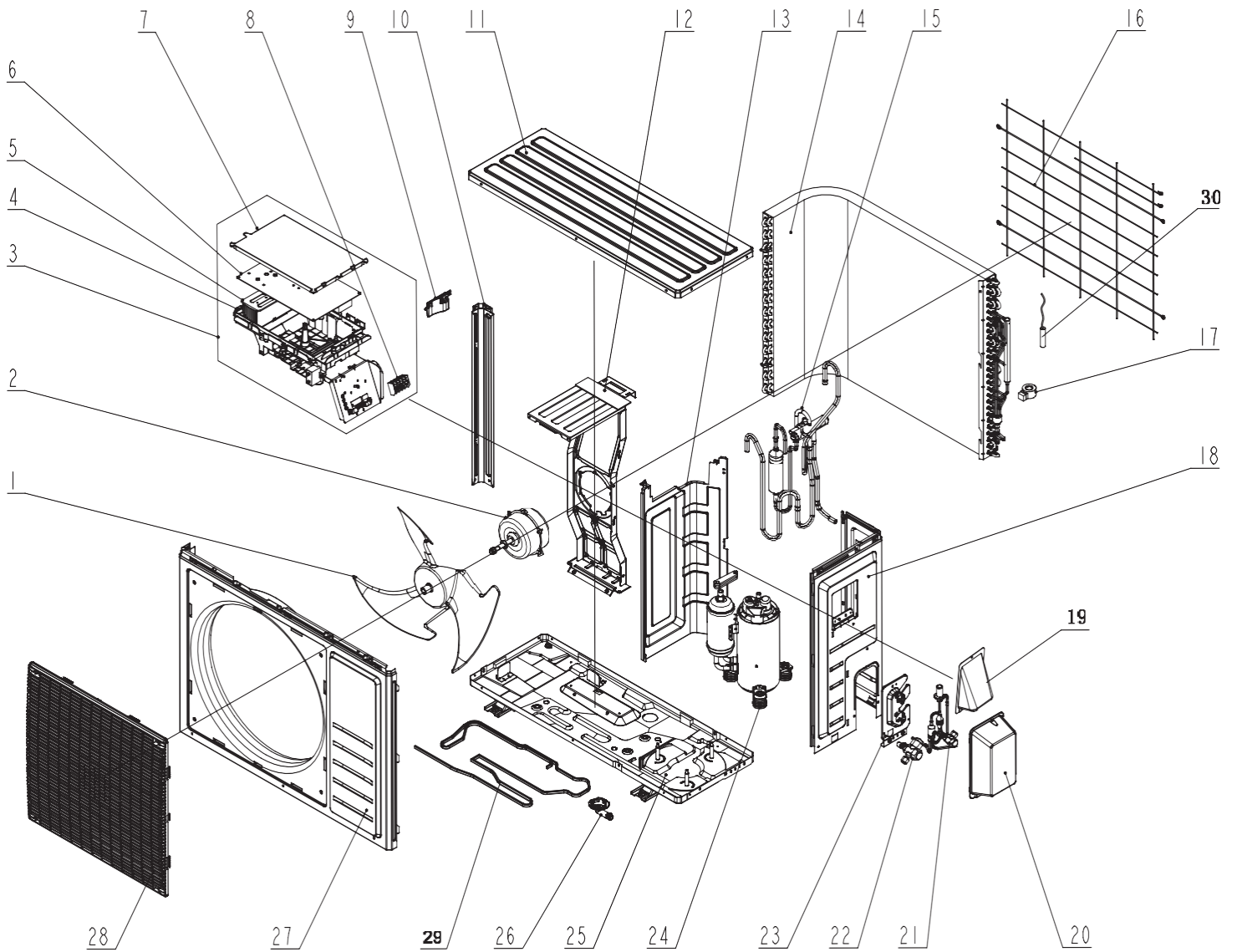
| NO. | Part Description | qty | Part Code |
|-----|------------------------------------|-----|----------------|
| 1 | Front Panel B2 | 1 | 20000300018S |
| 2 | Display Board | 1 | 30565260 |
| 3 | Front Case Assy | 1 | 00000200045 |
| 4 | Helicoid Tongue | 1 | 26112436 |
| 5 | Left Axile Bush | 1 | 10512037 |
| 6 | Rear Case Assy | 1 | 00000100093 |
| 7 | Drainage Hose | 1 | 05230014 |
| 8 | Ring of Bearing | 1 | 26152022 |
| 9 | O-Gasket sub-Assy of Bearing | 1 | 76512051 |
| 10 | Evaporator support | 1 | 24212179 |
| 11 | Cold Plasma Generator | 0 | none |
| 12 | Evaporator Assy | 1 | 011001060162 |
| 13 | Wall Mounting Frame | 1 | 01204300000401 |
| 14 | Cross Flow Fan | 1 | 10352056 |
| 15 | Fan Motor | 1 | 1501214607 |
| 16 | Connecting pipe clamp | 1 | 2611216401 |
| 17 | Rubber Plug (Water Tray) | 1 | 76712012 |
| 18 | Stepping Motor | 1 | 1521210710 |
| 19 | Crank | 1 | 73012005 |
| 20 | Electric Box Assy | 1 | 100002067859 |
| 21 | Axile Bush | 1 | 10542036 |
| 22 | Terminal Board | 1 | 42011233 |
| 23 | Jumper | 1 | 4202021917 |
| 24 | Main Board | 1 | 300002061159 |
| 25 | Electric Box Cover Sub-Assy | 1 | 0140206501 |
| 26 | Shield Cover of Electric Box Cover | 1 | 01592150 |
| 27 | Electric Box Cover | 1 | 2011220701 |
| 28 | Power Cord | 0 | none |
| 29 | Connecting Cable | 0 | none |
| 30 | Connecting Cable | 0 | none |
| 31 | Remote Control | 1 | 305001060022 |
| 32 | Test Board Assy | 0 | none |
| 33 | Guide Louver | 1 | 1051293101 |
| 34 | Air Louver 1 | 1 | 10512723 |
| 35 | Temperature Sensor | 1 | 3900031302 |
| 36 | Air Louver 2 | 1 | 10512724 |



| NO. | Part Description | qty | Part Code |
|-----|----------------------------|-----|-----------------|
| 1 | Electric Box Assy | 1 | 100002067860 |
| 2 | Electric Box Sub-Assy | 1 | 017007061654 |
| 3 | Main Board | 1 | 300027060987 |
| 4 | Reactor | 1 | 43130184 |
| 5 | Terminal Board | 1 | 422000060016 |
| 6 | Wire Clamp | 2 | 71010003 |
| 7 | Front Grill | 1 | 01473012 |
| 8 | Front Panel | 1 | 01533034P |
| 9 | Axial Flow Fan | 1 | 10333004 |
| 10 | Chassis Sub-Assy | 1 | 01700006009601P |
| 11 | Brushless DC Motor | 1 | 1501308511 |
| 12 | Small Handle | 1 | 26233100 |
| 13 | Top Cover | 1 | 000051060086 |
| 14 | Motor Support | 1 | 01703104 |
| 15 | Condenser Assy | 1 | 011002060992 |
| 16 | Rear Grill | 1 | 01473009 |
| 17 | Electronic Expansion Valve | 0 | none |
| 18 | Cut off Valve | 1 | 07133082 |
| 19 | Big Handle | 0 | none |
| 20 | Cut off Valve | 1 | 071302391 |
| 21 | Valve Support | 1 | 0171314201P |
| 22 | Right Side Plate Sub-Assy | 1 | 00013006002002 |
| 23 | 4-Way Valve Assy | 1 | 030152060393 |
| 24 | Clapboard Sub-Assy | 1 | 0123338502 |
| 25 | Magnet Coil | 1 | 4300040050 |
| 26 | Compressor and Fittings | 1 | 009001060066 |
| 27 | Drainage Connector | 1 | 06123401 |
| 28 | Temperature Sensor | 1 | 3900030805 |



| NO. | Part Description | Qty | Part Code |
|-----|-----------------------------------|-----|----------------|
| 1 | Decorative Strip | 0 | none |
| 2 | Front Panel | 1 | 20000300023S |
| 3 | Display Board | 1 | 30565260 |
| 4 | Filter Sub-Assy | 2 | 1112208906 |
| 5 | Decorative Board (Left and Right) | 1 | 20192662 |
| 6 | Front Case | 1 | 2002248401 |
| 7 | Guide Louver | 1 | 1051276501 |
| 8 | Axile Bush | 2 | 10542036 |
| 9 | Air Louver (Manual) | 3 | 10512732 |
| 10 | Helicoid Tongue | 1 | 26112512 |
| 11 | Left Axile Bush | 1 | 10512037 |
| 12 | Rear Case Assy | 1 | 22202571 |
| 13 | Rubber Plug (Water Tray) | 1 | 76712012 |
| 14 | O-Gasket sub-Assy of Bearing | 1 | 76512051 |
| 15 | Ring of Bearing | 1 | 26152025 |
| 16 | Evaporator Support | 1 | 24212177 |
| 17 | Evaporator Assy | 1 | 011001000207 |
| 18 | Cross Flow Fan | 1 | 10352060 |
| 19 | Fan Motor | 1 | 1501214503 |
| 20 | Motor Press Plate | 1 | 26112511 |
| 21 | Wall Mounting Frame | 1 | 012043000006 |
| 22 | Connecting pipe clamp | 1 | 2611218801 |
| 23 | Crank | 1 | 73012005 |
| 24 | Stepping Motor | 1 | 1521240212 |
| 25 | Drainage Hose | 1 | 05230014 |
| 26 | Electric Box Assy | 1 | 100002067907 |
| 27 | Lower Shield of Electric Box | 1 | 01592139 |
| 28 | Electric Box | 1 | 2011221105 |
| 29 | Jumper | 1 | 4202021919 |
| 30 | Main Board | 1 | 300002061157 |
| 31 | Temperature Sensor | 1 | 3900031302 |
| 32 | Electric Box Cover Sub-Assy | 1 | 01705306012301 |
| 33 | Electric Box Cover | 0 | none |
| 34 | Terminal Board | 1 | 42011233 |
| 35 | Decorative Board (Right) | 0 | none |
| 36 | Screw Cover | 3 | 2425201726 |
| 37 | Electric Box Cover2 | 1 | 2011221001 |
| 38 | Power Cord | 0 | none |
| 39 | Connecting Cable | 0 | none |
| 40 | Connecting Cable | 0 | none |
| 41 | Remote Control | 1 | 305001060022 |
| 42 | Cold Plasma Generator | 0 | none |

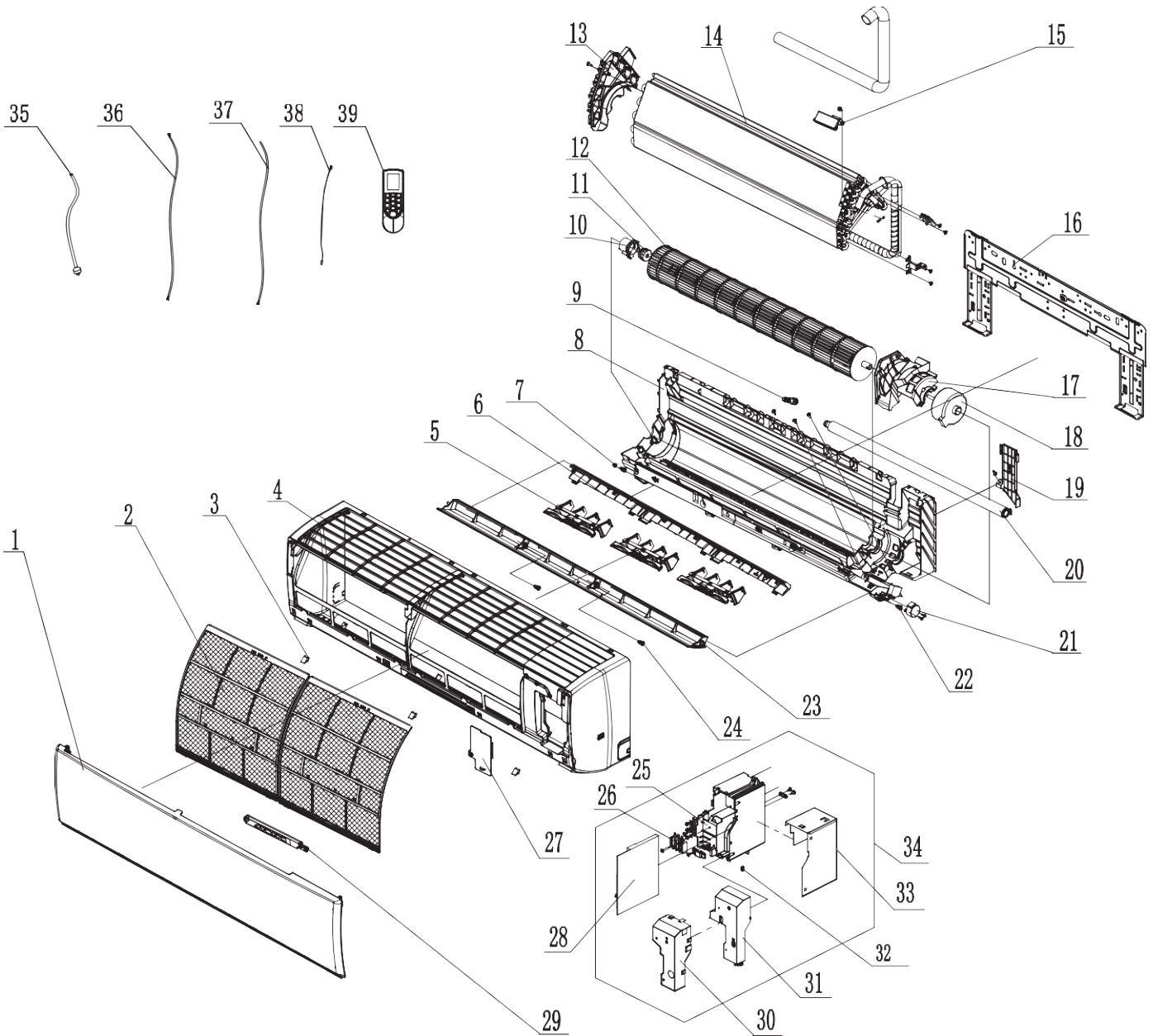




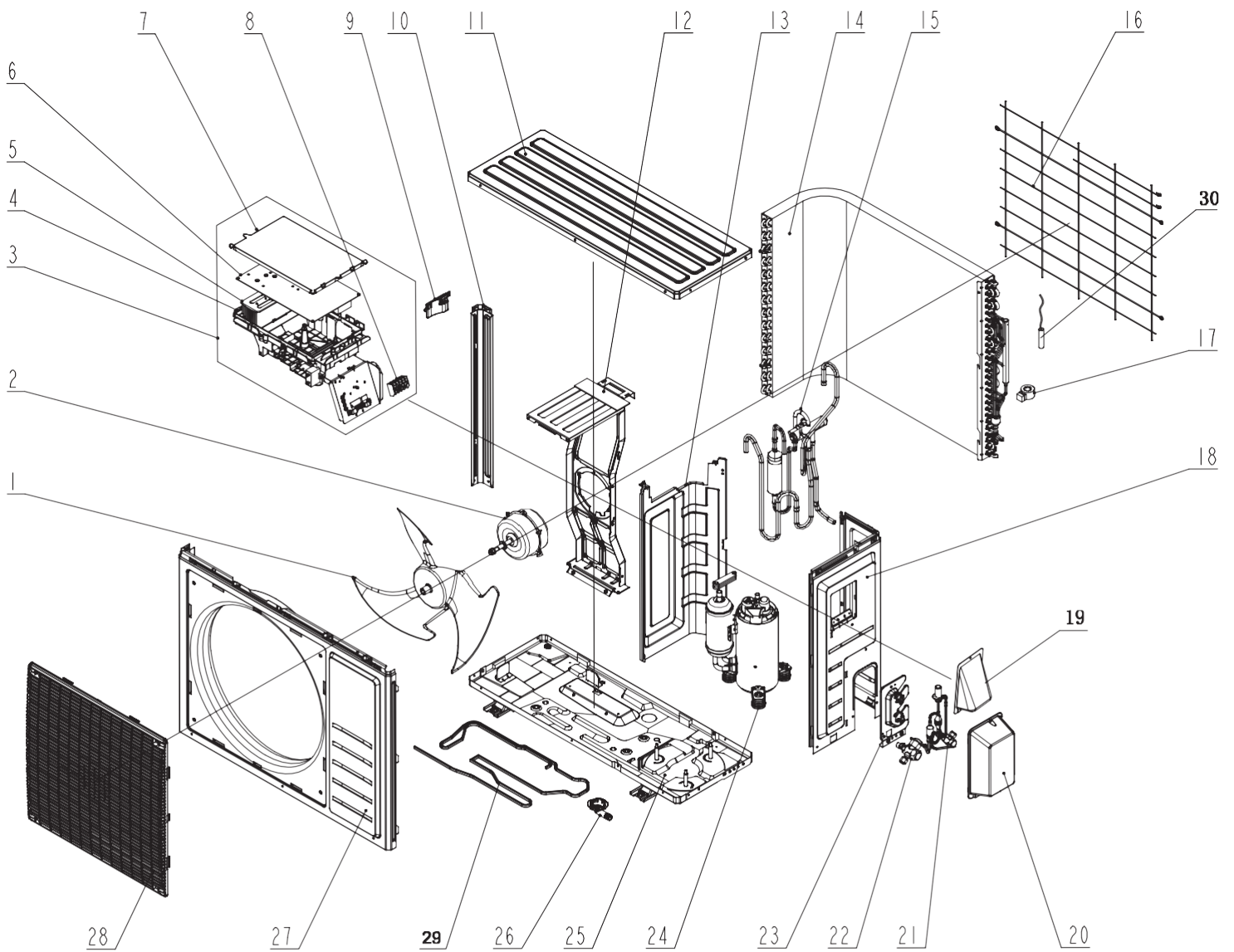
LIVV18HP230V1AO



| NO. | Part Description | Qty | Part Code |
|-----|-------------------------------|-----|----------------|
| 1 | Axial Flow Fan | 1 | 10333023 |
| 2 | Brushless DC Motor | 1 | 1501506406 |
| 3 | Electric Box Assy | 1 | 100002068263 |
| 4 | Electric Box | 1 | 2011302701 |
| 5 | Radiator | 1 | 49013060 |
| 6 | Main Board | 1 | 300027061023 |
| 7 | Electric Box Cover | 1 | 2012302801 |
| 8 | Terminal Board | 1 | 42200006001401 |
| 9 | Handle | 1 | 26233014 |
| 10 | Left Side Plate | 1 | 01303025P |
| 11 | Top Cover | 1 | 01253105P |
| 12 | Motor Support Sub-Assy | 1 | 017012000091 |
| 13 | Clapboard Sub-Assy | 1 | 017021000063 |
| 14 | Condenser Assy | 1 | 011002061040 |
| 15 | 4-Way Valve Assy | 1 | 030152060463 |
| 16 | Rear Grill | 1 | 016001000023 |
| 17 | Electric Expand Valve Fitting | 1 | 07200206002231 |
| 18 | Right Side Plate Assy | 1 | 00008100002102 |
| 19 | Handle Assy | 0 | none |
| 20 | Valve Cover | 1 | 22243015 |
| 21 | Cut off Valve | 1 | 07130239 |
| 22 | Cut off Valve | 1 | 071302392 |
| 23 | Valve Support Sub-Assy | 1 | 017104000002P |
| 24 | Compressor and Fittings | 1 | 00105249G |
| 25 | Chassis Sub-Assy | 1 | 017000060518P |
| 26 | Drainage Joint | 0 | none |
| 27 | Cabinet | 1 | 0143307201P |
| 28 | Front Grill | 1 | 01473008 |
| 29 | Electric Heater | 1 | 320004060086 |
| 30 | Temperature Sensor | 1 | 3900030902 |



| NO. | Part Description | Qty | Part Code |
|-----|------------------------------|-----|----------------|
| 1 | Front Panel | 1 | 20000300016S |
| 2 | Filter Sub-Assy | 2 | 11012007 |
| 3 | Screw Cover | 3 | 2425245301 |
| 4 | Front Case Assy | 1 | 00000200057 |
| 5 | Air Louver (Manual) | 3 | 10512737 |
| 6 | Helicoid Tongue sub-Assy | 1 | 26112382 |
| 7 | Left Axile Bush | 1 | 10512037 |
| 8 | Rear Case Assy | 1 | 22202570 |
| 9 | Rubber Plug (Water Tray) | 1 | 76712012 |
| 10 | Ring of Bearing | 1 | 26152025 |
| 11 | O-Gasket sub-Assy of Bearing | 1 | 76512051 |
| 12 | Cross Flow Fan | 1 | 10352057 |
| 13 | Evaporator Support | 1 | 24212178 |
| 14 | Evaporator Assy | 1 | 01100100007306 |
| 15 | Cold Plasma Generator | 0 | none |
| 16 | Wall Mounting Frame | 1 | 012043000007 |
| 17 | Motor Press Plate | 1 | 26112515 |
| 18 | Fan Motor | 1 | 1501214501 |
| 19 | Connecting pipe clamp | 1 | 26112514 |
| 20 | Drainage Hose | 1 | 0523001405 |
| 21 | Stepping Motor | 1 | 1521240212 |
| 22 | Crank | 1 | 73012005 |
| 23 | Guide Louver | 1 | 1051232001 |
| 24 | Axile Bush | 2 | 10542036 |
| 25 | Electric Box | 1 | 2011221105 |
| 26 | Terminal Board | 1 | 42011233 |
| 27 | Electric Box Cover2 | 1 | 2011221001 |
| 28 | Main Board | 1 | 300002061155 |
| 29 | Display Board | 1 | 30565260 |
| 30 | Shield Cover of Electric Box | 1 | 01592176 |
| 31 | Electric Box Cover | 1 | 2011220901 |
| 32 | Jumper | 1 | 4202021924 |
| 33 | Lower Shield of Electric Box | 1 | 01592139 |
| 34 | Electric Box Assy | 1 | 100002067802 |
| 35 | Power Cord | 0 | none |
| 36 | Connecting Cable | 0 | none |
| 37 | Connecting Cable | 0 | none |
| 38 | Temperature Sensor | 1 | 3900031302 |
| 39 | Remote Control | 1 | 305001060022 |

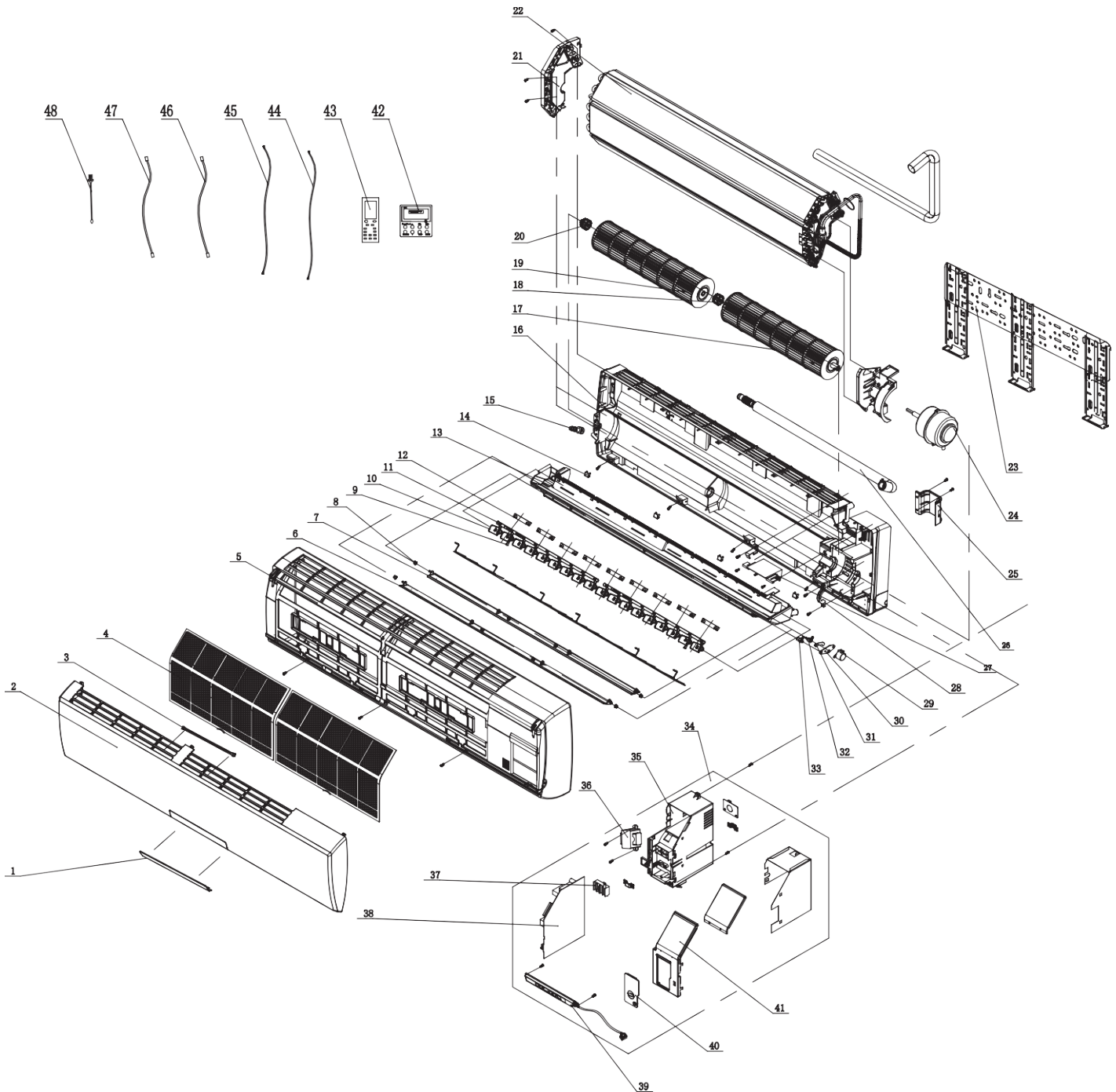




LIVV24HP230V1AO



| No. | Part Description | Qty | Part Code |
|-----|-------------------------------|-----|----------------|
| 1 | Axial Flow Fan | 1 | 10333023 |
| 2 | Brushless DC Motor | 1 | 1501506406 |
| 3 | Electric Box Assy | 1 | 100002067147 |
| 4 | Electric Box | 1 | 2011302701 |
| 5 | Radiator | 1 | 49013060 |
| 6 | Main Board | 1 | 300027060877 |
| 7 | Electric Box Cover | 1 | 2012302801 |
| 8 | Terminal Board | 1 | 42200006001401 |
| 9 | Handle | 1 | 26233014 |
| 10 | Left Side Plate | 1 | 01303025P |
| 11 | Coping | 1 | 01253105P |
| 12 | Motor Support Sub-Assy | 1 | 01701200009 |
| 13 | Clapboard Sub-Assy | 1 | 017021000063 |
| 14 | Condenser Assy | 1 | 01100206086201 |
| 15 | 4-Way Valve Assy | 1 | 030152060381 |
| 16 | Rear Grill | 1 | 016001000023 |
| 17 | Electric Expand Valve Fitting | 1 | 07200206002312 |
| 18 | Right Side Plate Assy | 1 | 00008100002101 |
| 19 | Handle Assy | 0 | none |
| 20 | Valve Cover | 1 | 22243015 |
| 21 | Cut off Valve | 1 | 07130239 |
| 22 | Cut off Valve | 1 | 07133844 |
| 23 | Valve Support Sub-Assy | 1 | 017104060025P |
| 24 | Compressor and Fittings | 1 | 009001060387 |
| 25 | Chassis Sub-Assy | 1 | 017000060467P |
| 26 | Drainage Joint | 0 | none |
| 27 | Cabinet | 1 | 0143307201P |
| 28 | Front Grill | 1 | 01473008 |
| 29 | Electric Heater | 1 | 320004060086 |
| 30 | Temperature Sensor | 1 | 3900030902 |



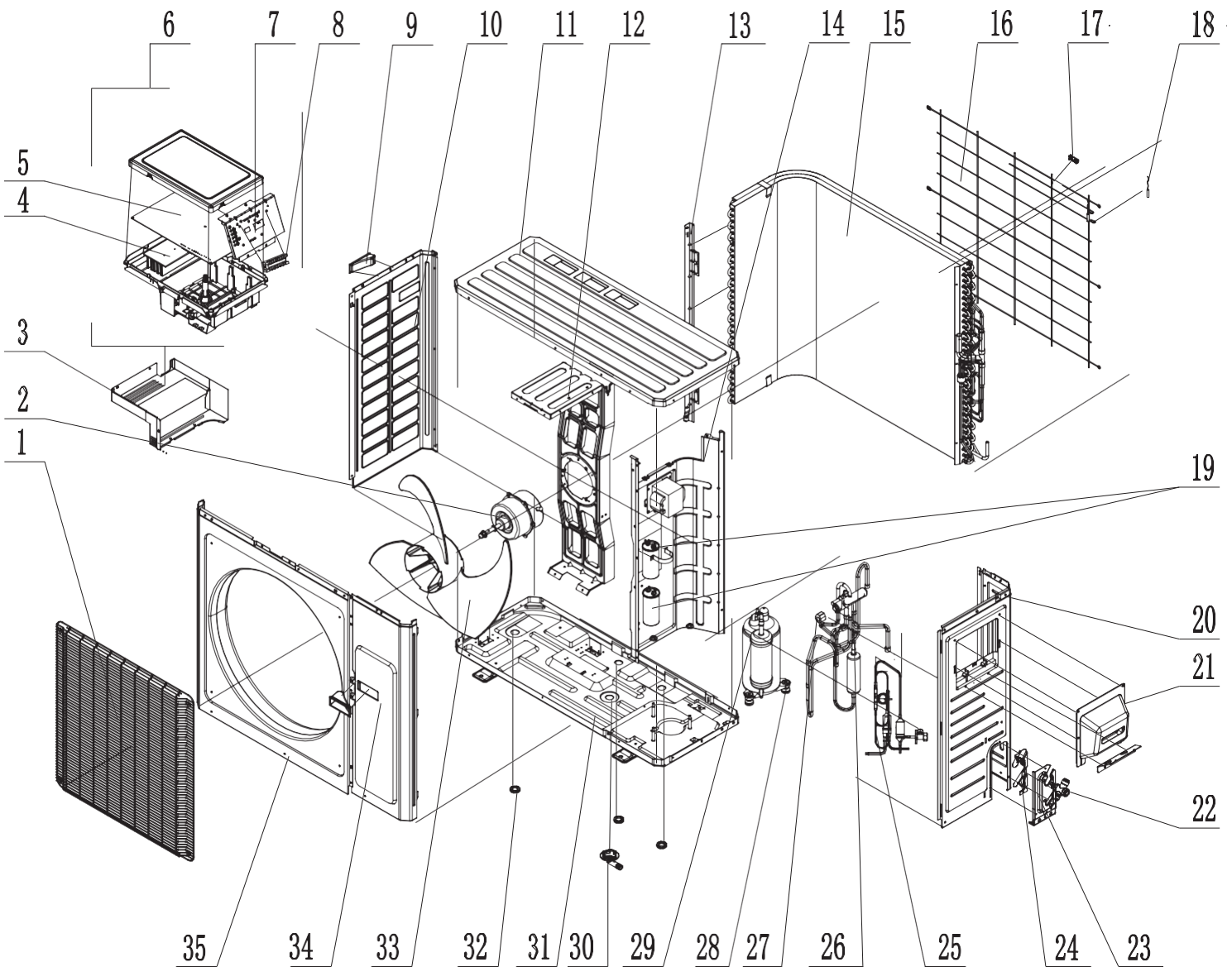
| NO. | Part Description | qty | Part Code |
|-----|------------------------------|-----|--------------|
| 1 | Receiver Window | 0 | none |
| 2 | Front Panel | 1 | 20000300022S |
| 3 | Stand Bar | 1 | 2421212001 |
| 4 | Filter Sub-Assy | 2 | 1112210602 |
| 5 | Front Case Sub-Assy | 1 | 20900700005 |
| 6 | Upper Guide Louver | 1 | 1051216601 |
| 7 | Lower Guide Louver | 1 | 1051216701 |
| 8 | Axile Bush | 6 | 10542704 |
| 9 | Air Louver 2 | 2 | 1051216902 |
| 10 | Air Louver 1 | 16 | 1051216802 |
| 11 | Connecting Rod | 2 | 10582086 |
| 12 | Louver Clamp | 9 | 26112158 |
| 13 | Water Tray | 1 | 2018213802 |
| 14 | Screw Cover | 4 | 2425200506 |
| 15 | Rubber Plug (Water Tray) | 1 | 76712012 |
| 16 | Rear Case Assy | 1 | 00000100113 |
| 17 | Cross Flow Fan 1 | 1 | 10352039 |
| 18 | Bearing Holder Sub-Assy | 1 | 26152028 |
| 19 | Cross Flow Fan 2 | 1 | 10352040 |
| 20 | O-Gasket sub-Assy of Bearing | 1 | 76512051 |
| 21 | Left Evaporator Support | 1 | 24212041 |
| 22 | Evaporator Assy | 1 | 01100100299 |
| 23 | Wall Mounting Frame | 1 | 01252398 |
| 24 | Fan Motor | 1 | 1501213401 |
| 25 | Pipe Clamp | 1 | 26112071 |
| 26 | Drainage Hose | 1 | 0523001404 |
| 27 | Cover Plate | 1 | 2012212402 |
| 28 | Motor Fixed Clip 2 | 1 | 26112325 |
| 29 | Stepping Motor | 1 | 1521210701 |
| 30 | Press Plate (Crank) | 1 | 26112070 |
| 31 | Crank-guide | 1 | 10582041 |
| 32 | Upper Crank | 1 | 10562004 |
| 33 | Lower crank | 1 | 10562005 |
| 34 | Electric Box Assy | 1 | 100002003292 |
| 35 | Electric Box | 1 | 2010225006 |
| 36 | Transformer | 0 | none |
| 37 | Terminal Board | 1 | 42011233 |
| 38 | Main Board | 1 | 30138001017 |
| 39 | Display Board | 1 | 30565277 |



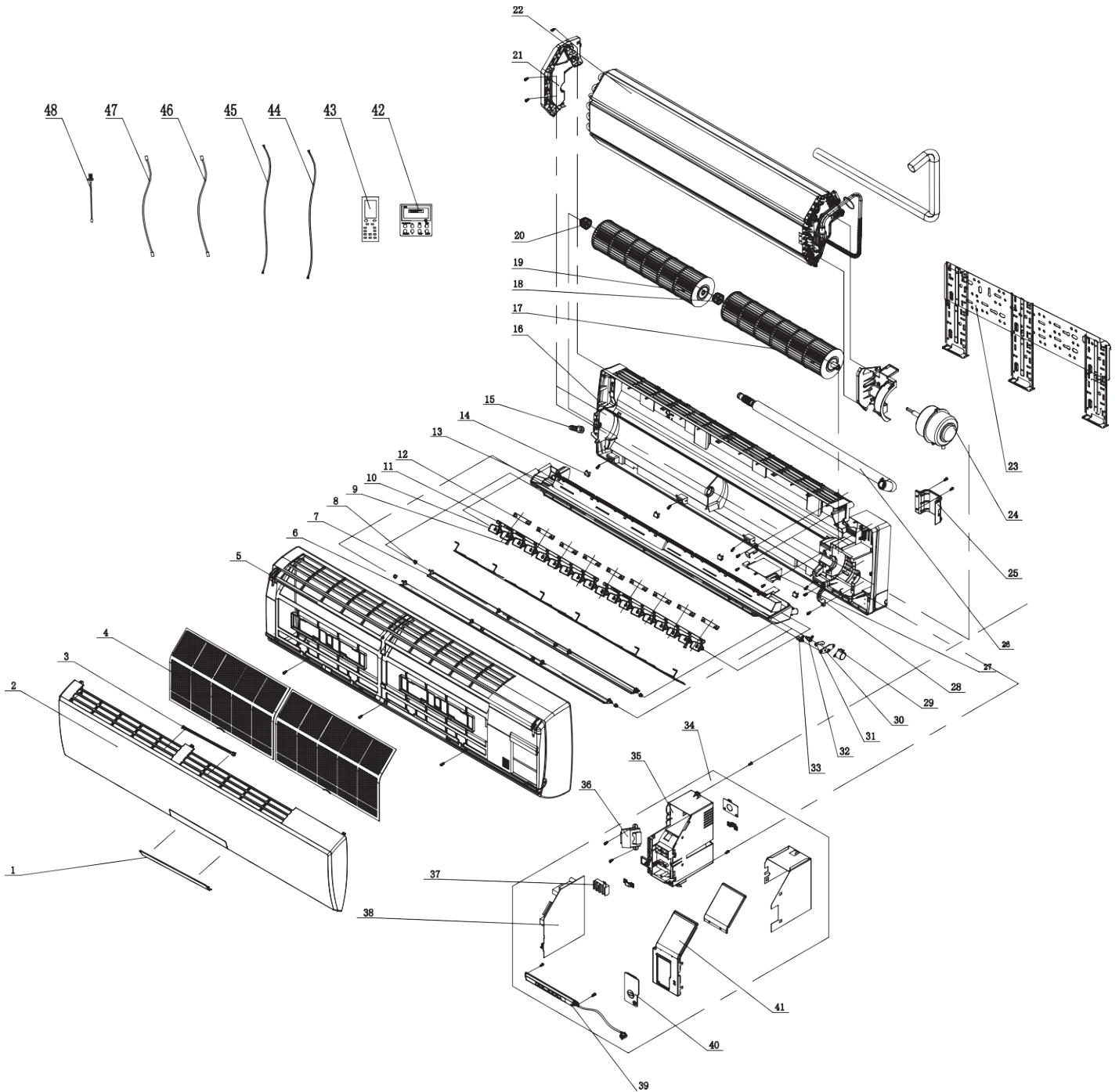
LIVV30HP230V1AH (Cont.)



| NO. | Part Description | qty | Part Code |
|-----|--------------------|-----|--------------|
| 40 | Electric Box Cover | 1 | 201022523 |
| 41 | Electric Box Cover | 1 | 2011204404S |
| 42 | Display Board | 0 | none |
| 43 | Remote Controller | 1 | 305001000085 |
| 44 | Connecting Cable | 0 | none |
| 45 | Power Cord | 0 | none |
| 46 | Signal Wire | 1 | 4001024507 |
| 47 | Temperature Sensor | 1 | 390000592 |
| 48 | Temperature Sensor | 1 | 390000453 |



| NO. | Part Description | Qty | Part Code |
|-----|---------------------------------|-----|----------------|
| 1 | Front Grill | 1 | 016004060005 |
| 2 | Brushless DC Motor | 1 | 15010400000102 |
| 3 | Electric box (fireproofing) | 0 | none |
| 4 | Radiator | 1 | 4901521502 |
| 5 | Main Board | 1 | 300027060960 |
| 6 | Electric Box Assy | 1 | 100002067584 |
| 7 | Terminal Board Support sub-Assy | 1 | 01715016 |
| 8 | Terminal Board | 1 | 42200006001401 |
| 9 | Handle | 1 | 26233053 |
| 10 | Left Side Plate | 1 | 01305043P |
| 11 | Top Cover | 1 | 01255020P |
| 12 | Motor Support Sub-Assy | 1 | 017012000017 |
| 13 | Condenser Support Plate | 1 | 01175092 |
| 14 | Clapboard Sub-Assy | 1 | 01235091 |
| 15 | Condenser Assy | 1 | 01100200162 |
| 16 | Rear Grill | 1 | 01475013 |
| 17 | Wiring Clamp | 1 | 26115004 |
| 18 | Temperature Sensor | 1 | 3900030901 |
| 19 | Capacitor CBB65 | 0 | none |
| 20 | Right Side Plate | 1 | 0130504402P |
| 21 | Handle Assy | 1 | 02113109 |
| 22 | Cut off Valve | 1 | 07133157 |
| 23 | Valve Support Sub-Assy | 1 | 0171501201P |
| 24 | Baffle (valve support) | 0 | none |
| 25 | Capillary Sub-Assy | 1 | 030174060043 |
| 26 | 4-Way Valve Assy | 1 | 030152000329 |
| 27 | Magnet Coil | 1 | 4300040045 |
| 28 | Compressor Gasket | 3 | 009012000004 |
| 29 | Compressor and Fittings | 1 | 00900100019501 |
| 30 | Drainage Connector | 0 | none |
| 31 | Chassis Sub-Assy | 1 | 017000060476P |
| 32 | Drainage Plug | 0 | none |
| 33 | Axial Flow Fan | 1 | 10335014 |
| 34 | Front Side Plate Sub-Assy | 1 | 01303249P |
| 35 | Front Panel Assy | 1 | 0153501405 |



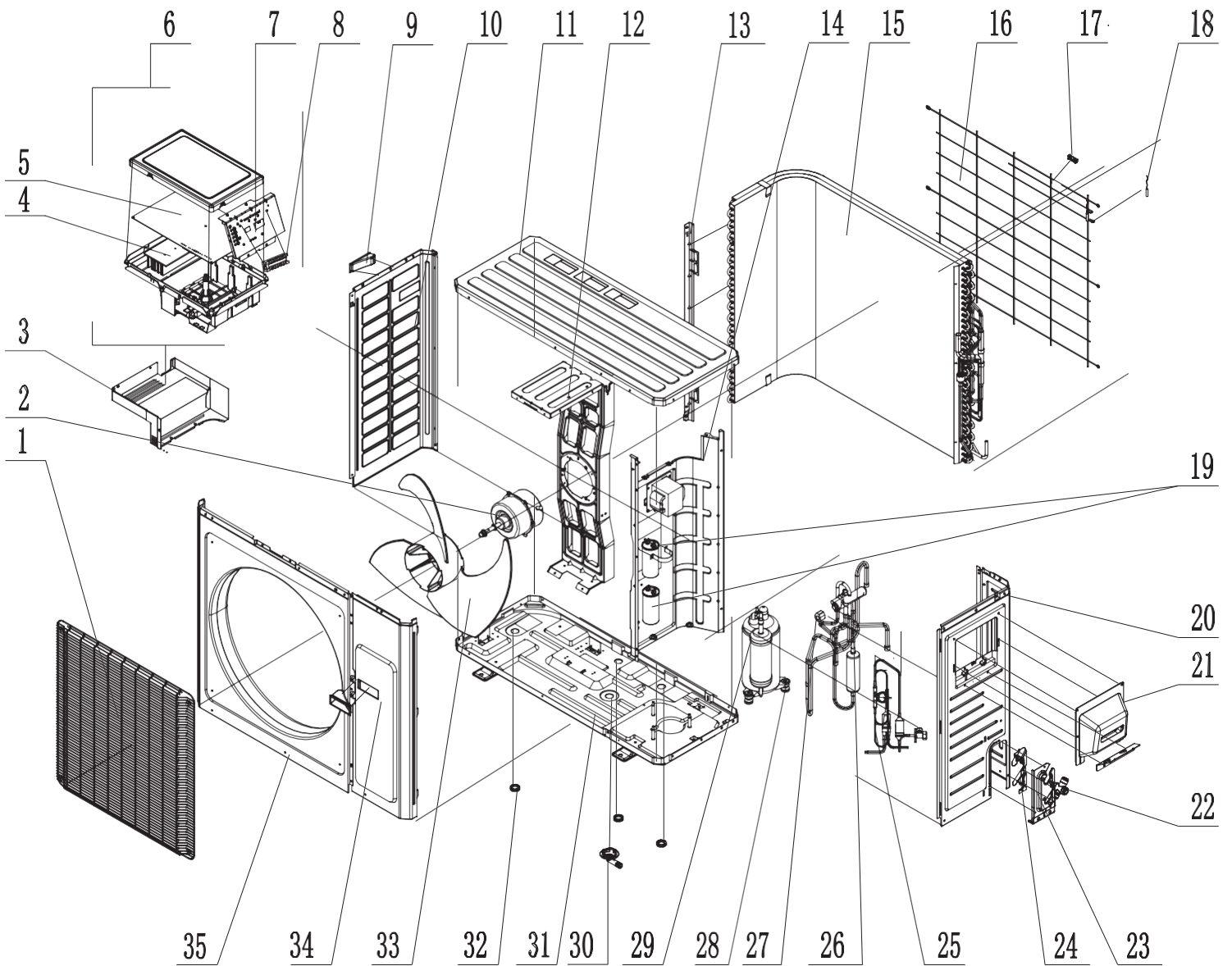
| NO. | Part Description | Qty | Part Code |
|-----|------------------------------|-----|---------------|
| 1 | Receiver Window | 0 | none |
| 2 | Front Panel | 1 | 20000300022S |
| 3 | Stand Bar | 1 | 2421212001 |
| 4 | Filter Sub-Assy | 2 | 1112210602 |
| 5 | Front Case Sub-Assy | 1 | 20900700005 |
| 6 | Upper Guide Louver | 1 | 1051216601 |
| 7 | Lower Guide Louver | 1 | 1051216701 |
| 8 | Axile Bush | 6 | 10542704 |
| 9 | Air Louver 2 | 2 | 1051216902 |
| 10 | Air Louver 1 | 16 | 1051216802 |
| 11 | Connecting Rod | 2 | 10582086 |
| 12 | Louver Clamp | 9 | 26112158 |
| 13 | Water Tray | 1 | 2018213802 |
| 14 | Screw Cover | 4 | 2425200506 |
| 15 | Rubber Plug (Water Tray) | 1 | 76712012 |
| 16 | Rear Case Assy | 1 | 00000100113 |
| 17 | Cross Flow Fan 1 | 1 | 10352039 |
| 18 | Bearing Holder Sub-Assy | 1 | 26152028 |
| 19 | Cross Flow Fan 2 | 1 | 10352040 |
| 20 | O-Gasket sub-Assy of Bearing | 1 | 76512051 |
| 21 | Left Evaporator Support | 1 | 24212041 |
| 22 | Evaporator Assy | 1 | 0110010029901 |
| 23 | Wall Mounting Frame | 1 | 01252398 |
| 24 | Fan Motor | 1 | 1501213401 |
| 25 | Pipe Clamp | 1 | 26112071 |
| 26 | Drainage Hose | 1 | 0523001404 |
| 27 | Cover Plate | 1 | 2012212402 |
| 28 | Motor Fixed Clip 2 | 1 | 26112325 |
| 29 | Stepping Motor | 1 | 1521210701 |
| 30 | Press Plate (Crank) | 1 | 26112070 |
| 31 | Crank-guide | 1 | 10582041 |
| 32 | Upper Crank | 1 | 10562004 |
| 33 | Lower crank | 1 | 10562005 |
| 34 | Electric Box Assy | 1 | 100002003292 |
| 35 | Electric Box | 1 | 2010225006 |
| 36 | Transformer | 0 | none |
| 37 | Terminal Board | 1 | 42011233 |
| 38 | Main Board | 1 | 30138001017 |
| 39 | Display Board | 1 | 30565277 |



LIVV36HP230V1AH



| NO. | Part Description | Qty | Part Code |
|-----|--------------------|-----|--------------|
| 40 | Electric Box Cover | 1 | 201022523 |
| 41 | Electric Box Cover | 1 | 2011204404S |
| 42 | Display Board | 0 | none |
| 43 | Remote Controller | 1 | 305001000085 |
| 44 | Connecting Cable | 0 | none |
| 45 | Power Cord | 0 | none |
| 46 | Signal Wire | 1 | 4001024507 |
| 47 | Temperature Sensor | 1 | 390000592 |
| 48 | Temperature Sensor | 1 | 390000453 |



| NO. | Part Description | Qty | Part Code |
|-----|---------------------------------|-----|----------------|
| 1 | Front Grill | 1 | 016004060005 |
| 2 | Brushless DC Motor | 1 | 15010400000102 |
| 3 | Electric box (fireproofing) | 0 | none |
| 4 | Radiator | 1 | 4901521502 |
| 5 | Main Board | 1 | 300027060993 |
| 6 | Electric Box Assy | 1 | 100002068354 |
| 7 | Terminal Board Support sub-Assy | 1 | 01715016 |
| 8 | Terminal Board | 1 | 42200006001401 |
| 9 | Handle | 1 | 26233053 |
| 10 | Left Side Plate | 1 | 01305043P |
| 11 | Top Cover | 1 | 01255020P |
| 12 | Motor Support Sub-Assy | 1 | 017012000017 |
| 13 | Condenser Support Plate | 1 | 01175092 |
| 14 | Clapboard Sub-Assy | 1 | 01235091 |
| 15 | Condenser Assy | 1 | 011002061052 |
| 16 | Rear Grill | 1 | 01475013 |
| 17 | Wiring Clamp | 1 | 26115004 |
| 18 | Temperature Sensor | 1 | 3900030901 |
| 19 | Capacitor CBB65 | 0 | none |
| 20 | Right Side Plate | 1 | 0130504402P |
| 21 | Handle Assy | 1 | 02113109 |
| 22 | Cut off Valve | 1 | 07133157 |
| 23 | Valve Support Sub-Assy | 1 | 0171501201P |
| 24 | Baffle (valve support) | 0 | none |
| 25 | Capillary Sub-Assy | 1 | 030174060043 |
| 26 | 4-Way Valve Assy | 1 | 030152000329 |
| 27 | 4 Way Valve Coil | 1 | 4300040094 |
| 28 | Compressor Gasket | 3 | 009012000004 |
| 29 | Compressor and Fittings | 1 | 00900100019501 |
| 30 | Drainage Connector | 0 | none |
| 31 | Chassis Sub-Assy | 1 | 017000060476P |
| 32 | Drainage Plug | 0 | none |
| 33 | Axial Flow Fan | 1 | 10335014 |
| 34 | Front Side Plate Sub-Assy | 1 | 01303249P |
| 35 | Front Panel Assy | 1 | 0153501405 |



U.S. CONTACT INFORMATION TRADEWINDS, LLC

E-mail: info@twclimate.com

Contractor Support : 888-850-7928 | Mon-Fri 8 AM - 5 PM EDT

GREE ELECTRIC APPLIANCES INC. OF ZHUHAI