



SUBMITTAL DATA: LIVV18HP230V1A 18000 BTU/H Wall Mounted Heat Pump System		
Job Name	Location	Date
Purchaser	Engineer	
Submitted To	For	
Unit Designation	Schedule No.	

YAN1F6F	LIVV18HP230V1AH	LIVV18HP230V1AO
----------------	------------------------	------------------------



XE71 (Optional)

GENERAL FEATURES

- AHRI Certificate: [205093062](#)**
- High Efficiency DC Inverter Technology**
- Compact and Quiet Design**
- Wireless Remote with LCD Display**
- Wired Controller Options**
- Wi-Fi Included**
- Low Ambient Cooling down to 0°F (Range 0°F to 115°F)**
- Low Ambient Heating down to -4°F (Range -4°F to 75°F)**
- Coil (Indoor and Outdoor) Copper Tube / Aluminum Fin*[†]**
- * (Blue Fin) 500 Hrs Salt Spray Tested**

5 Year Limited Compressor & Parts Warranty (Residential Only)

SPECIFICATIONS

LIVV18HP230V1AH / LIVV18HP230V1AO

System Type		HEAT PUMP	
SYSTEM PERFORMANCE			
Cooling	Rated Capacity @ 95°F	Btu/h	17400
	Min-Max Capacity	Btu/h	4094 - 20000
Heating	Rated Capacity @ 47°F	Btu/h	18000
	Min-Max Capacity	Btu/h	4100 - 21000
SEER / EER		16 / 8.5	
HSPF / COP		9 / 3	
Energy Star®		NO	
Cooling Temperature Range		°F	0 - 115
Heating Temperature Range		°F	-4 - 75
INDOOR UNIT		LIVV18HP230V1AH	
Fan Motor Output Power		W	30
Fan Motor FLA		amps	0.40
Air Flow (Min - Max)		CFM	335 - 471
Sound Pressure Level (Cooling / Heating)		dB(A)	35 - 47 / 35 - 46
Dehumidification		pt/hr	3.8
Condensate Drain Size (OD)		in	0.625
Unit Dimension (WxHxD)		in	38 1/8 × 11 3/4 × 8 3/4
Package Dimension (WxHxD)		in	41 × 15 × 12
Weight (Net / Gross)		lbs	28.6 / 36.4
OUTDOOR UNIT		LIVV18HP230V1AO	
Compressor Type		GREE G-10 / 1 STAGE INVERTER	
Compressor RLA		amps	10.20
Fan Motor Output Power		W	60
Fan Motor RLA		amps	0.70
Sound Pressure Level (Cooling / Heating)		dB(A)	56
Unit Dimension (WxHxD)		in	35 3/4 × 25 5/8 × 12 1/4
Package Dimension (WxHxD)		in	38 × 27 × 16
Weight (Net / Gross)		lbs	95 / 105
Refrigerant Charge - R410A		oz	42
Coil Type		Aluminum Fin-Copper Tube / Acrylic Resin Protection	
REFRIGERANT PIPING			
Line Set Size (Liquid - Gas)		in	1/4 - 1/2
Pre-Charge Lengh		ft	25
Pipe Length (Min - Max)		ft	10 - 82
Max. Pipe Elevation		ft	33
ELECTRICAL			
Power Supply (Voltage Operating Range)		208-230V / 1Ph / 60Hz	
Rated Current (Cooling / Heating)		amps	10 / 10.5
MCA / MOCP		amps	15 / 20
Main Power Wire Size		AWG	Size Per Local Code
Interconnecting Wire Size		AWG	14 / 4
LIMITED WARRANTY		5 Years Parts and Compressor - Residential	

Features & Function Summary**LIVV18HP230V1A****SYSTEM FEATURES**

Inverter Type	G10
Ultra Low Frequency Torque Control	Yes
Power Factor Correction	Yes
Compressor Type	High Eff. Rotary
Refrigerant Type	R410A
Basepan With Electric Heater	YES
Compressor With Electric Heater	YES
Outdoor Fin Coating (Color: Blue)	Acrylic-Resin/Anti-Corrosive
Intelligent Defrosting	YES
Force Defrosting	YES
Intelligent Preheating	YES
Low Voltage Startup	YES
Memory/Power Failure Recovery	YES
Self Diagnosis	YES
Wired Controller Interface (XE71)	YES
WiFi Included	YES
Indoor Fan Type	Crossflow
Multi Fan Speeds	4 Speeds
Indoor Unit Display	YES
Auxiliary Electrical Heater	NO
Ventilation (Outdoor Air)	NO

REMOTE CONTROLLER FUNCTIONS

Auto Mode	YES
Auto Fan	YES
Manual Horizontal Swing	YES
Auto Swing (Vertical Auto Swing)	YES
Clock on Remote Controller	YES
Dry Mode	YES
Dry Anti-Mildew (X-Fan) Mode	YES
Energy Saving Mode	YES
Dirty Filter Alert	NO
I Feel Function	YES
Lock on Remote Controller	YES
Quiet Mode	NO
Room Temperature Display	YES
Sleep Mode	YES
Timer Mode	YES
Turbo Mode	YES
Display On/Off Control	YES
Freeze Guard Mode (46 °F)	YES
Display On/Off Control	YES

EXTENDED RATINGS

LIVV18HP230V1A

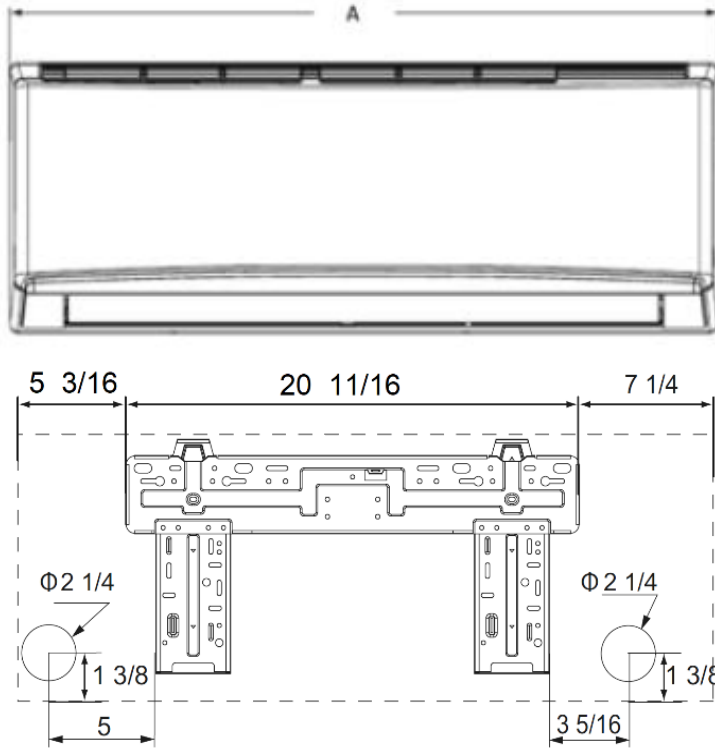
COOLING PERFORMANCE (BtuH)*

Outdoor Ambient Temperature (DB)	Indoor Entering Air Temperatures					
	68°F DB		73°F DB		80°F DB	
	57°FFWB		61°FFWB		67°FFWB	
	TC	SHC	TC	SHC	TC	SHC
0°F	5916	4289	7308	5298	8700	6308
5°F	6786	4954	8178	5970	9570	6986
17°F	7656	5627	9048	6650	10440	7673
23°F	8004	5923	9396	6953	10788	7983
32°F	8352	6222	9744	7259	11136	8296
41°F	9396	7047	10788	8091	12180	9135
50°F	10440	7882	11832	8933	13224	9984
57°F	11136	8463	12528	9521	13920	10579
67°F	11658	8918	13050	9983	14442	11048
75°F	14616	11254	16008	12326	17400	13398
86°F	16182	12541	17574	13620	18966	14699
95°F	14616	11401	16008	12486	17400	13572
104°F	12876	10108	14268	11200	15660	12293
113°F	11832	9347	13224	10447	14616	11547
122°F	10092	8023	11484	9130	12876	10236

HEATING PERFORMANCE (BtuH)*

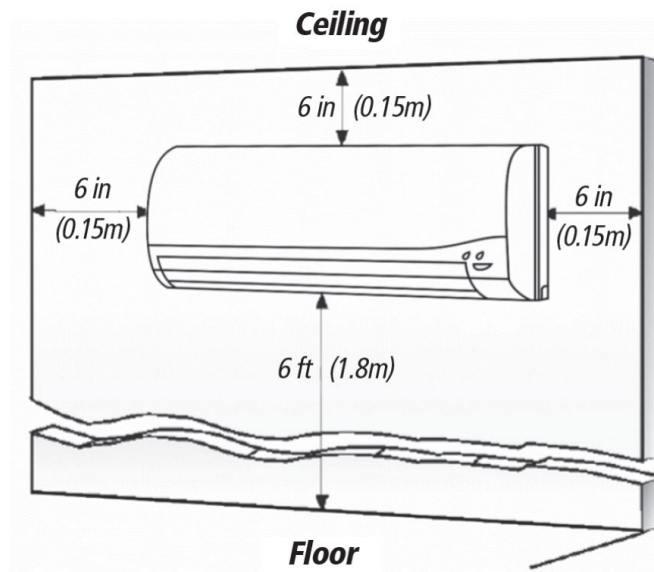
Outdoor Ambient Temperature (DB)	Indoor Entering Air Temperatures								
	68°F DB			70°F DB			80°F DB		
	57°FFWB			60°FFWB			67°FFWB		
	TC	Power Input (KW)	COP	TC	Power Input (KW)	COP	TC	Power Input (KW)	COP
-5°F	8280	1408	1.72	8640	1436	1.76	9000	1465	1.80
0°F	9540	1436	1.95	9900	1466	1.98	10260	1495	2.01
5°F	10080	1466	2.02	10440	1496	2.05	10800	1526	2.07
10°F	10440	1496	2.05	10800	1526	2.07	11160	1557	2.10
17°F	11640	1526	2.24	12000	1557	2.26	12360	1588	2.28
19°F	12240	1557	2.30	12600	1589	2.32	12960	1621	2.34
24°F	14040	1589	2.59	14400	1622	2.60	14760	1654	2.62
32°F	15480	1622	2.80	15840	1655	2.81	16200	1688	2.81
41°F	16740	1655	2.97	17100	1688	2.97	17460	1722	2.97
43°F	17280	1688	3.00	17640	1723	3.00	18000	1757	3.00
47°F	17640	1723	3.00	18000	1758	3.00	18360	1793	3.00
53°F	17820	1775	2.94	18180	1811	2.94	18540	1847	2.94
59°F	18000	1828	2.89	18360	1865	2.89	18720	1902	2.88
64°F	18540	1883	2.89	18900	1921	2.88	19260	1959	2.88
70°F	19080	1939	2.88	19440	1979	2.88	19800	2018	2.88
75°F	19620	1997	2.88	19980	2038	2.87	20340	2079	2.87
78°F	20340	2057	2.90	20700	2099	2.89	21060	2141	2.88

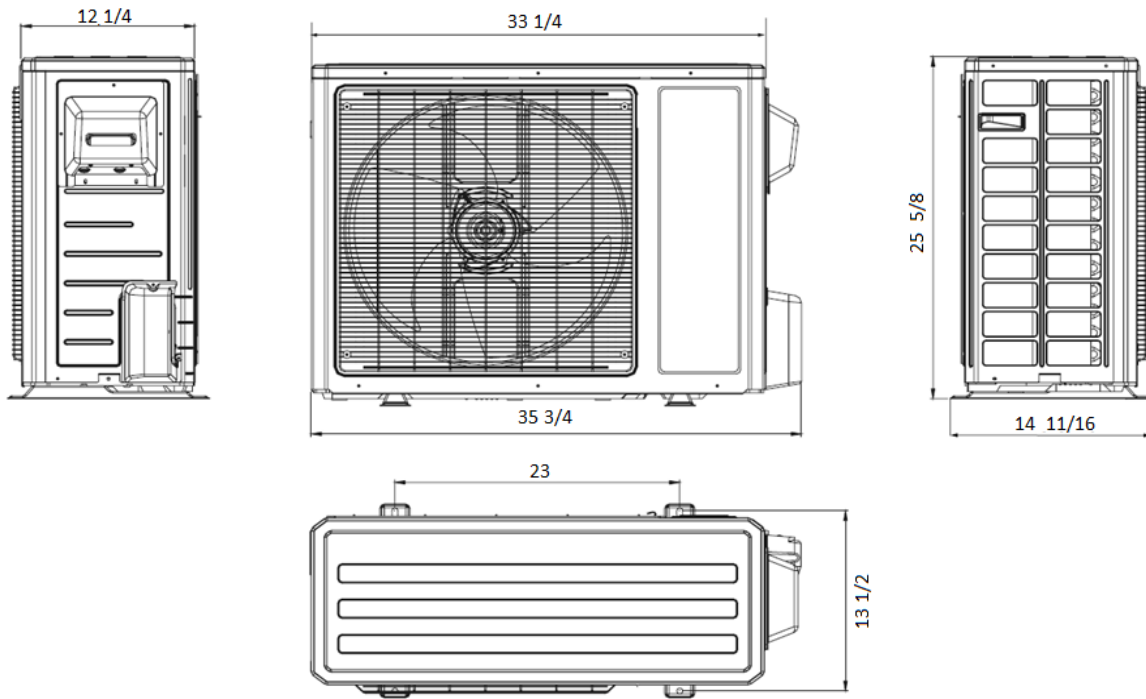
* Maximum system capacity
 TC- Total Capacity (BtuH)
 COP- Coefficient of Performance



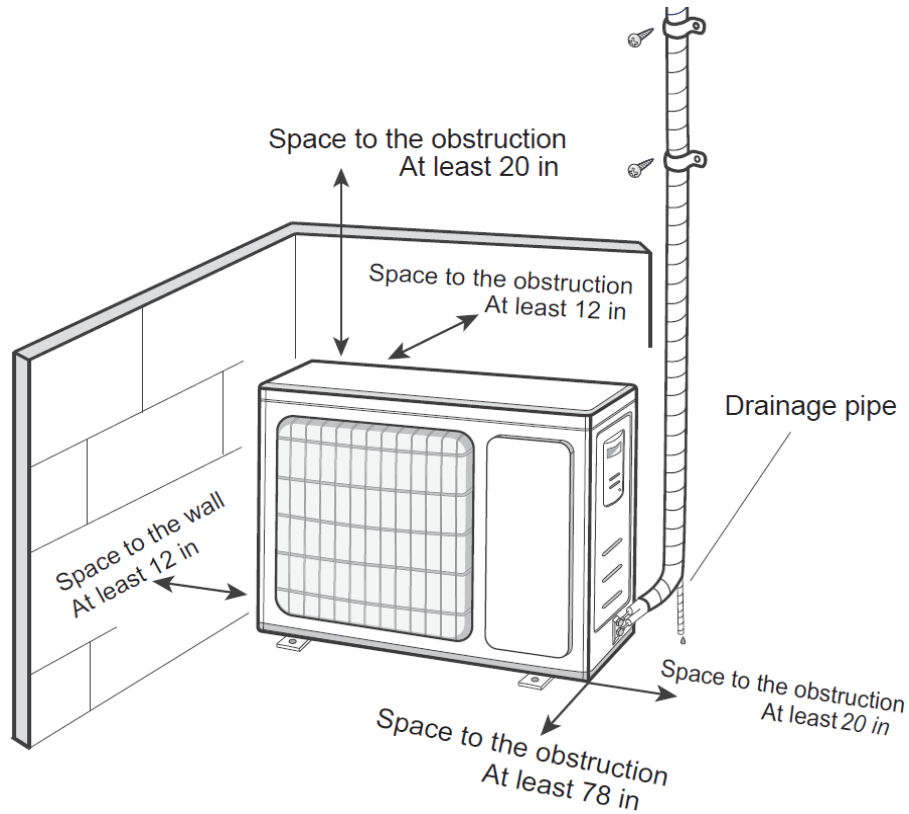
Dimensions	
A	33 1/4
B	11 1/4
C	8 3/8

Unit = Inch





Unit = Inch



Specifications are subject to change without notice. Manufacturer reserves the right to discontinue or modify specifications or designs without notice or without incurring obligations. All Rights reserved.