



SUBMITTAL DATA: LIVV36HP230V1A		36000 BTU/H Wall Mounted Heat Pump System	
Job Name	Location	Date	
Purchaser	Engineer		
Submitted To	For		
Unit Designation	Schedule No.		

YAN1F6F	LIVV36HP230V1AH	LIVV36HP230V1AO
----------------	------------------------	------------------------



XE71 (Optional)



GENERAL FEATURES

- AHRI Certificate: [205291861](#)**
- High Efficiency DC Inverter Technology**
- Compact and Quiet Design**
- Wireless Remote with LCD Display**
- Wired Controller Options**
- Wi-Fi Included**
- Low Ambient Cooling down to -4°F (Range -4°F to 115°F)**
- Low Ambient Heating down to -13°F (Range -13°F to 75°F)**
- Coil (Indoor and Outdoor) Copper Tube / Aluminum Fin*[†]**
- * (Blue Fin) 500 Hrs Salt Spray Tested**

5 Year Limited Compressor & Parts Warranty (Residential Only)

SPECIFICATIONS

LIVV36HP230V1AH / LIVV36HP230V1AO

System Type		HEAT PUMP	
SYSTEM PERFORMANCE			
Cooling	Rated Capacity @ 95°F	Btu/h	33600
	Min-Max Capacity	Btu/h	5951 - 36000
Heating	Rated Capacity @ 47°F	Btu/h	34600
	Min-Max Capacity	Btu/h	8530 - 37020
SEER / EER		18 / 9.21	
HSPF / COP		9 / 2.8	
Energy Star®		NO	
Cooling Temperature Range		°F	-4 - 115
Heating Temperature Range		°F	-13 - 75
INDOOR UNIT		LIVV36HP230V1AH	
Fan Motor Output Power		W	70
Fan Motor FLA		amps	0.55
Air Flow (Min - Max)		CFM	441 - 824
Sound Pressure Level (Cooling / Heating)		dB(A)	37 - 55 / 41 - 55
Dehumidification		pt/hr	7.4
Condensate Drain Size (OD)		in	0.625
Unit Dimension (WxHxD)		in	53 1/8 x 12 3/4 x 10
Package Dimension (WxHxD)		in	57 x 17 x 14
Weight (Net / Gross)		lbs	44.1 / 54
OUTDOOR UNIT		LIVV36HP230V1AO	
Compressor Type		GREE G-10 / 1 STAGE INVERTER	
Compressor RLA		amps	16.90
Fan Motor Output Power		W	92
Fan Motor RLA		amps	0.70
Sound Pressure Level (Cooling / Heating)		dB(A)	61
Unit Dimension (WxHxD)		in	39 3/8 x 31 1/8 x 14 9/16
Package Dimension (WxHxD)		in	43 x 33 x 19
Weight (Net / Gross)		lbs	140 / 151
Refrigerant Charge - R410A		oz	88
Coil Type		Aluminum Fin-Copper Tube / Acrylic Resin Protection	
REFRIGERANT PIPING			
Line Set Size (Liquid - Gas)		in	1/4 - 5/8
Pre-Charge Lengh		ft	25
Pipe Length (Min - Max)		ft	10 - 82
Max. Pipe Elevation		ft	33
ELECTRICAL			
Power Supply (Voltage Operating Range)		208-230V / 1Ph / 60Hz	
Rated Current (Cooling / Heating)		amps	18 / 19
MCA / MOCP		amps	24 / 35
Main Power Wire Size		AWG	Size Per Local Code
Interconnecting Wire Size		AWG	14 / 4
LIMITED WARRANTY		5 Years Parts and Compressor - Residential	

Features & Function Summary**LIVV36HP230V1A****SYSTEM FEATURES**

Inverter Type	G10
Ultra Low Frequency Torque Control	Yes
Power Factor Correction	Yes
Compressor Type	High Eff. Rotary
Refrigerant Type	R410A
Basepan With Electric Heater	YES
Compressor With Electric Heater	YES
Outdoor Fin Coating (Color: Blue)	Acrylic-Resin/Anti-Corrosive
Intelligent Defrosting	YES
Force Defrosting	YES
Intelligent Preheating	YES
Low Voltage Startup	YES
Memory/Power Failure Recovery	YES
Self Diagnosis	YES
Wired Controller Interface (XE71)	YES
WiFi Included	YES
Indoor Fan Type	Crossflow
Multi Fan Speeds	4 Speeds
Indoor Unit Display	YES
Auxiliary Electrical Heater	NO
Ventilation (Outdoor Air)	NO

REMOTE CONTROLLER FUNCTIONS

Auto Mode	YES
Auto Fan	YES
Manual Horizontal Swing	YES
Auto Swing (Vertical Auto Swing)	YES
Clock on Remote Controller	YES
Dry Mode	YES
Dry Anti-Mildew (X-Fan) Mode	YES
Energy Saving Mode	YES
Dirty Filter Alert	NO
I Feel Function	YES
Lock on Remote Controller	YES
Quiet Mode	NO
Room Temperature Display	YES
Sleep Mode	YES
Timer Mode	YES
Turbo Mode	YES
Display On/Off Control	YES
Freeze Guard Mode (46 °F)	YES
Display On/Off Control	YES

EXTENDED RATINGS

LIVV36HP230V1A

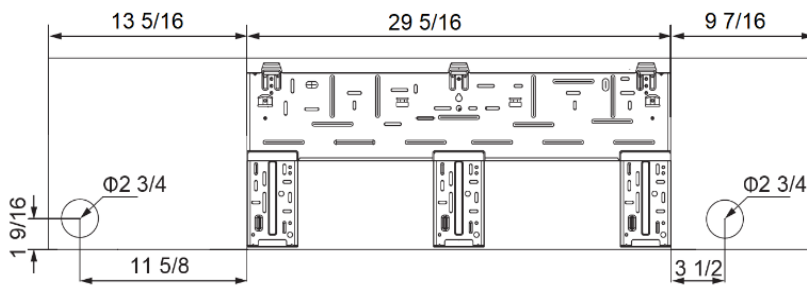
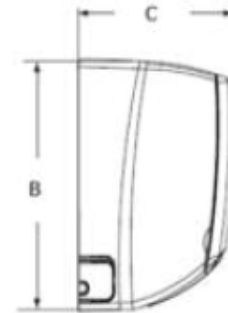
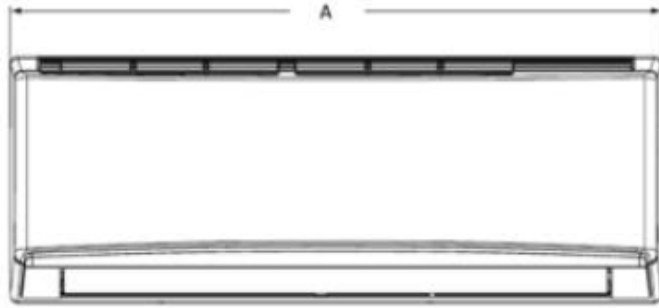
COOLING PERFORMANCE (BtuH)*

Outdoor Ambient Temperature (DB)	Indoor Entering Air Temperatures					
	68°F DB		73°F DB		80°F DB	
	57°FWB		61°FWB		67°FWB	
	TC	SHC	TC	SHC	TC	SHC
0°F	11424	8282	14112	10231	16800	12180
5°F	13104	9566	15792	11528	18480	13490
17°F	14784	10866	17472	12842	20160	14818
23°F	15456	11437	18144	13427	20832	15416
32°F	16128	12015	18816	14018	21504	16021
41°F	18144	13608	20832	15624	23520	17640
50°F	20160	15221	22848	17250	25536	19280
57°F	21504	16343	24192	18386	26880	20429
67°F	22512	17222	25200	19278	27888	21334
75°F	28224	21733	30912	23802	33600	25872
86°F	31248	24217	33936	26300	36624	28384
95°F	28224	22015	30912	24111	33600	26208
104°F	24864	19518	27552	21628	30240	23738
113°F	22848	18050	25536	20173	28224	22297
122°F	19488	15493	22176	17630	24864	19767

HEATING PERFORMANCE (BtuH)*

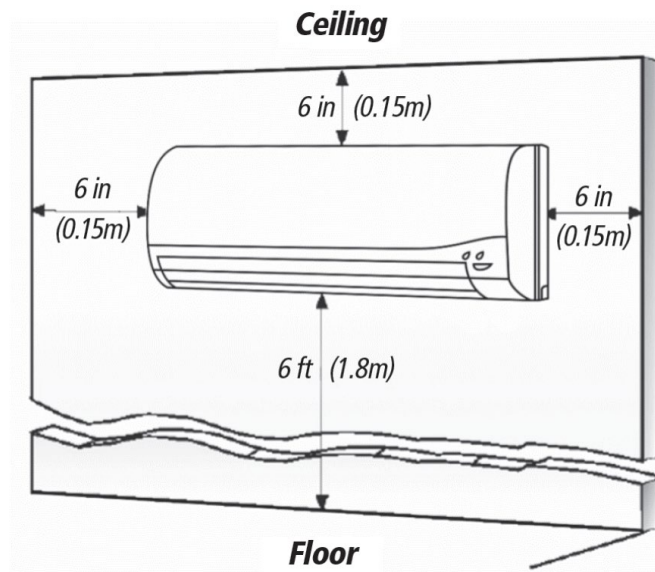
Outdoor Ambient Temperature (DB)	Indoor Entering Air Temperatures								
	68°F DB			70°F DB			80°F DB		
	57°FWB			60°FWB			67°FWB		
	TC	Power Input (KW)	COP	TC	Power Input (KW)	COP	TC	Power Input (KW)	COP
-5°F	15916	2899	1.61	16608	2958	1.65	17300	3017	1.68
0°F	18338	2958	1.82	19030	3018	1.85	19722	3079	1.88
5°F	19376	3018	1.88	20068	3080	1.91	20760	3141	1.94
10°F	20068	3080	1.91	20760	3143	1.94	21452	3205	1.96
17°F	22375	3143	2.09	23067	3207	2.11	23759	3271	2.13
19°F	23528	3207	2.15	24220	3272	2.17	24912	3338	2.19
24°F	26988	3272	2.42	27680	3339	2.43	28372	3406	2.44
32°F	29756	3339	2.61	30448	3407	2.62	31140	3475	2.63
41°F	32178	3407	2.77	32870	3477	2.77	33562	3546	2.77
43°F	33216	3477	2.80	33908	3548	2.80	34600	3619	2.80
47°F	33908	3548	2.80	34600	3620	2.80	35292	3692	2.80
53°F	34254	3654	2.75	34946	3729	2.75	35638	3803	2.75
59°F	34600	3764	2.69	35292	3840	2.69	35984	3917	2.69
64°F	35638	3877	2.69	36330	3956	2.69	37022	4035	2.69
70°F	36676	3993	2.69	37368	4074	2.69	38060	4156	2.68
75°F	37714	4113	2.69	38406	4197	2.68	39098	4281	2.68
78°F	39098	4236	2.71	39790	4322	2.70	40482	4409	2.69

* Maximum system capacity
 TC- Total Capacity (BtuH)
 COP- Coefficient of Performance



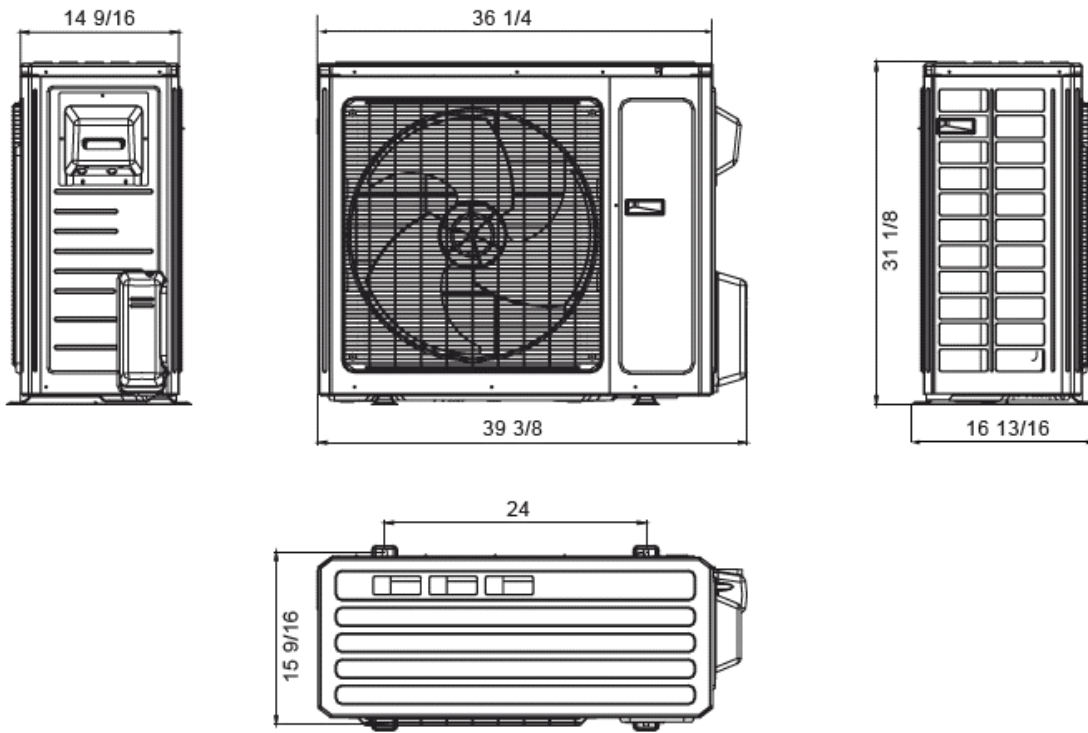
Dimensions	
A	$53 \frac{1}{8}$
B	$12 \frac{3}{4}$
C	10

Unit = Inch

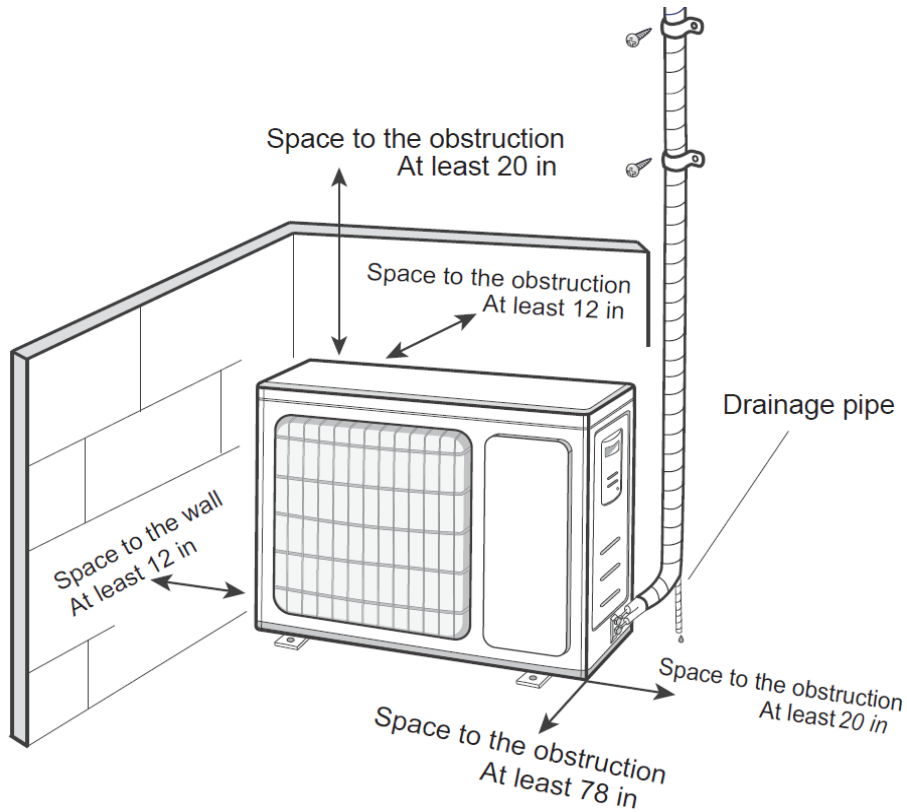


DIMENSIONS & CLEARANCES

LIVV36HP230V1AO



Unit = Inch



Specifications are subject to change without notice. Manufacturer reserves the right to discontinue or modify specifications or designs without notice or without incurring obligations. All Rights reserved.