



SUBMITTAL DATA: LIVV09HP115V1A 9000 BTU/H Wall Mounted Heat Pump System

Job Name	Location	Date
Purchaser	Engineer	
Submitted To	For	
Unit Designation	Schedule No.	

YAN1F6F LIVV09HP115V1AH LIVV09HP115V1AO



XE71 (Optional)



GENERAL FEATURES

- AHRI Certificate: [207094534](#)**
- High Efficiency DC Inverter Technology**
- Compact and Quiet Design**
- Wireless Remote with LCD Display**
- Wired Controller Options**
- Wi-Fi Included**
- Low Ambient Cooling down to 0°F (Range 0°F to 115°F)**
- Low Ambient Heating down to -4°F (Range -4°F to 75°F)**
- Coil (Indoor and Outdoor) Copper Tube / Aluminum Fin*[†]**
- * (Blue Fin) 500 Hrs Salt Spray Tested**

5 Year Limited Compressor & Parts Warranty (Residential Only)

SPECIFICATIONS

LIVV09HP115V1AH / LIVV09HP115V1AO

System Type **HEAT PUMP**

SYSTEM PERFORMANCE

Cooling	Rated Capacity @ 95°F	Btu/h	9000
	Min-Max Capacity	Btu/h	2764-9724
Heating	Rated Capacity @ 47°F	Btu/h	9500
	Min-Max Capacity	Btu/h	2081-12283
SEER / EER			18 / 10
HSPF / COP			9 / 3.2
Energy Star®			NO
Cooling Temperature Range		°F	0 - 115
Heating Temperature Range		°F	-4 - 75

INDOOR UNIT **LIVV09HP115V1AH**

Fan Motor Output Power	W	20
Fan Motor FLA	amps	0.4
Air Flow (Min - Max)	CFM	171 - 318
Sound Pressure Level (Cooling / Heating)	dB(A)	28 / 43
Dehumidification	pt/hr	1.69
Condensate Drain Size (OD)	in	5/8
Unit Dimension (WxHxD)	in	32 1/8 × 10 5/16 × 7 7/8
Package Dimension (WxHxD)	in	33 1/2 × 13 1/3 × 10 1/3
Weight (Net / Gross)	lbs	19.8 / 24.3

OUTDOOR UNIT **LIVV09HP115V1AO**

Compressor Type		GREE G-10 / 1 STAGE INVERTER
Compressor RLA	amps	12.62
Fan Motor Output Power	W	30
Fan Motor RLA	amps	0.4
Sound Pressure Level (Cooling / Heating)	dB(A)	52
Unit Dimension (WxHxD)	in	33 3/8 × 21 1/4 × 12 5/8
Package Dimension (WxHxD)	in	34 5/8 × 14 3/16 × 22 7/8
Weight (Net / Gross)	lbs	62.8 / 68.4
Refrigerant Charge - R410A	oz	24.7
Coil Type		Aluminum Fin-Copper Tube / Acrylic Resin Protection

REFRIGERANT PIPING

Line Set Size (Liquid - Gas)	in	1/4 - 3/8
Pre-Charge Lengh	ft	25
Pipe Length (Min - Max)	ft	10 - 49
Max. Pipe Elevation	ft	33

ELECTRICAL

Power Supply (Voltage Operating Range)		115V / 1PH / 60HZ
Rated Current (Cooling / Heating)	amps	12.7 / 10.7
MCA / MOCP	amps	17 / 25
Main Power Wire Size	AWG	Size Per Local Code
Interconnecting Wire Size	AWG	14 / 4

LIMITED WARRANTY **5 Years Parts and Compressor - Residential**

Features & Function Summary**LIVV09HP115V1A****SYSTEM FEATURES**

Inverter Type	G10
Ultra Low Frequency Torque Control	Yes
Power Factor Correction	Yes
Compressor Type	High Eff. Rotary
Refrigerant Type	R410A
Basepan With Electric Heater	YES
Compressor With Electric Heater	YES
Outdoor Fin Coating (Color: Blue)	Acrylic-Resin/Anti-Corrosive
Intelligent Defrosting	YES
Force Defrosting	YES
Intelligent Preheating	YES
Low Voltage Startup	YES
Memory/Power Failure Recovery	YES
Self Diagnosis	YES
Wired Controller Interface (XE71)	YES
WiFi Included	YES
Indoor Fan Type	Crossflow
Multi Fan Speeds	4 Speeds
Indoor Unit Display	YES
Auxiliary Electrical Heater	NO
Ventilation (Outdoor Air)	NO

REMOTE CONTROLLER FUNCTIONS

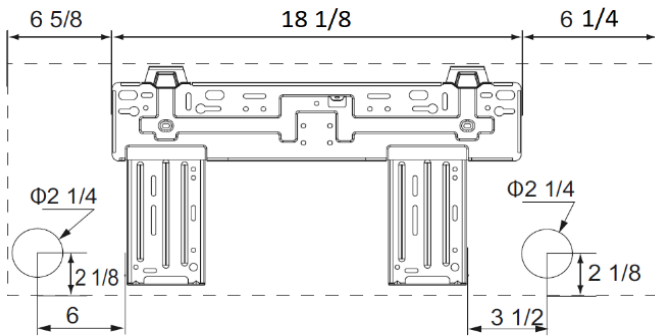
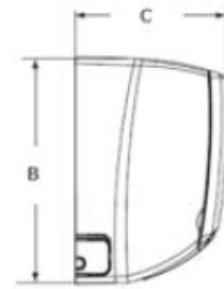
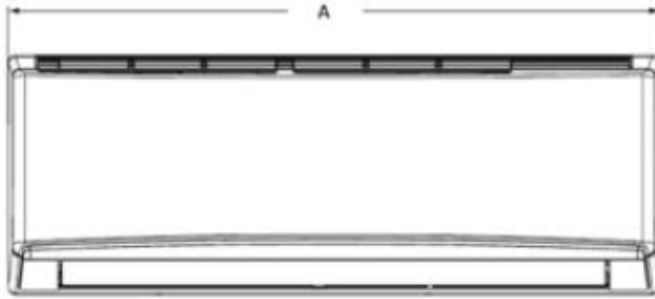
Auto Mode	YES
Auto Fan	YES
Manual Horizontal Swing	YES
Auto Swing (Vertical Auto Swing)	YES
Clock on Remote Controller	YES
Dry Mode	YES
Dry Anti-Mildew (X-Fan) Mode	YES
Energy Saving Mode	YES
Dirty Filter Alert	NO
I Feel Function	YES
Lock on Remote Controller	YES
Quiet Mode	NO
Room Temperature Display	YES
Sleep Mode	YES
Timer Mode	YES
Turbo Mode	YES
Display On/Off Control	YES
Freeze Guard Mode (46 °F)	YES
Display On/Off Control	YES

COOLING PERFORMANCE

HEATING PERFORMANCE

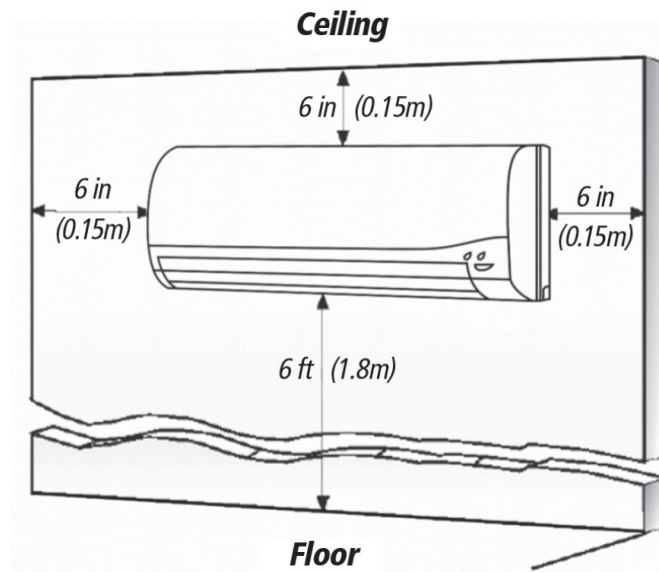
Outdoor	Return Air Temperature				Outdoor Ambient Temperature (DB)	Return Air Temperature				
	80°F (DB)					70°F (DB)				
		TC (Btu/h)	SHR	EER	Power Input (W)		TC (Btu/h)	COP	Power Input (W)	
MAX OUTPUT	0°F	4850	3516	2.76	515	MAX OUTPUT	-4°F	4912	1.1	1313
	5°F	5044	3682	2.82	525		0°F	5280.4	1.15	1350
	10°F	5242	3845	2.85	539		5°F	5894	1.25	1388
	15°F	5335	3921	2.84	550		10°F	7982	1.66	1413
	20°F	5542	4085	2.92	557		15°F	9210	1.88	1438
	25°F	5820	4307	2.93	583		17°F	9824	2.08	1388
	30°F	6208	4625	3.04	599		20°F	10929	2.33	1375
	35°F	6531	4875	3.04	630		25°F	11052	2.47	1313
	40°F	6790	5093	3.02	660		30°F	11175	2.57	1275
	45°F	7142	5370	3.07	683		35°F	11420	2.65	1263
	50°F	7372	5566	3.02	715		40°F	11666	2.85	1200
	55°F	7649	5795	2.81	798		45°F	12034	2.88	1225
	60°F	7857	5971	2.74	840		47°F	12280	2.88	1250
	65°F	8924	6827	2.97	880		50°F	13262	3.02	1288
	70°F	9341	7169	2.90	945		55°F	14122	3.12	1325
	75°F	9797	7544	2.90	990		60°F	13508	2.91	1363
	80°F	10213	7890	2.91	1029		65°F	13017	2.77	1375
	85°F	10573	8194	2.97	1045		70°F	12157	2.57	1388
	90°F	10315	8020	2.88	1050		75°F	11420	2.48	1350
	95°F	9700	7566	2.58	1100					
100°F	9245	7231	2.28	1188						
105°F	8730	6853	2.10	1218						
110°F	8541	6700	1.98	1265						
115°F	8148	6437	1.86	1287						

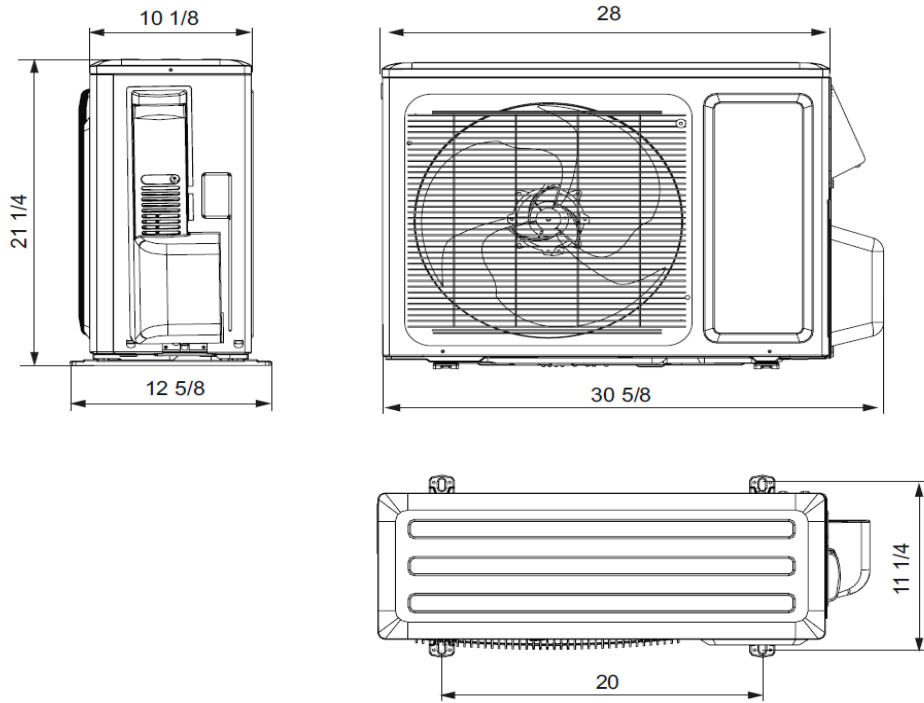
LEGEND: W - Watts
 DB - Dry Bulb
 TC - Total Capacity
 SHR - Sensible Heat Ratio
 COP - Coefficient of Performance



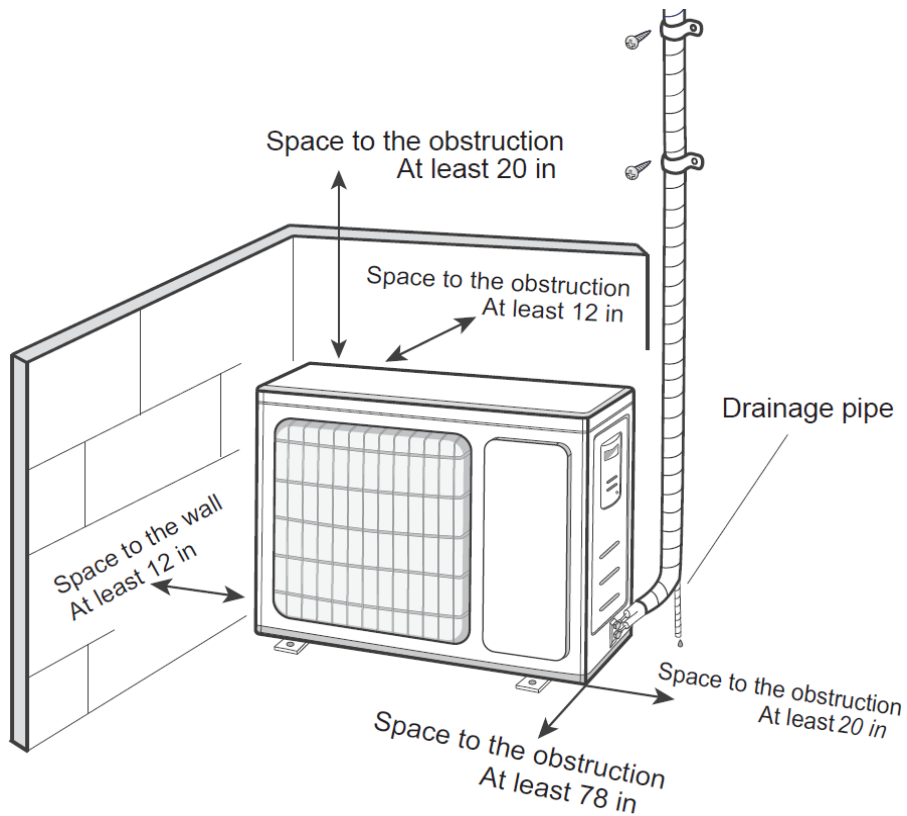
Dimensions	
A	31 1/8
B	10 3/4
C	7 7/8

Unit = Inch





Unit = Inch



Specifications are subject to change without notice. Manufacturer reserves the right to discontinue or modify specifications or designs without notice or without incurring obligations. All Rights reserved.