

SUBMITTAL DATA

4LIV09HP230V1AH for Use with Multi GEN2 and Multi+ Ultra
9000 BTU/H Wall Mounted Unit

| | | |
|--|--------------------------------------|------------------------------|
| Job Name <input type="text"/> | Location <input type="text"/> | Date <input type="text"/> |
| Purchaser <input type="text"/> | Engineer <input type="text"/> | |
| Submitted to <input type="text"/> | For <input type="text"/> | |
| Unit Designation <input type="text"/> | Schedule No. <input type="text"/> | |



YAP1FB2F



4LIV09HP230V1AH



XE71 (Optional)

GENERAL FEATURES

- High Efficiency DC Inverter Technology
- Compact and Quiet Design
- Auto-Clean Function
- Wireless Remote with LCD Display
- Wired Controller Options
- Wi-Fi Included
- Low Ambient Cooling Based on Outdoor Unit Performance
- Low Ambient Heating Based on Outdoor Unit Performance
- Coil (Indoor and Outdoor) Copper Tube / Aluminum Fin
- Blue Colored Fin - 500 Hrs Salt Spray Tested

SPECIFICATIONS, FEATURES & FUNCTION SUMMARY

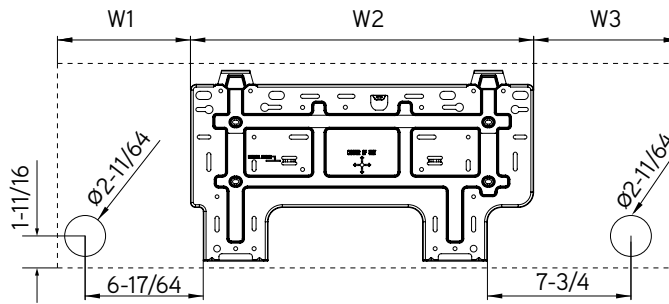
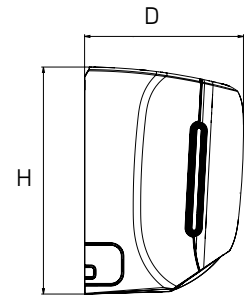
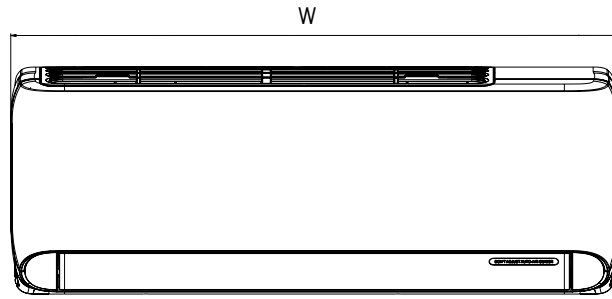
| SPECIFICATIONS | | 4LIV09HP230V1AH | | FEATURES & FUNCTIONS SUMMARY | | 4LIV09HP230V1AH | |
|---|--|----------------------------|-------|------------------------------------|-----------|-----------------|--|
| System Type | | HEAT PUMP | | | | | |
| SYSTEM PERFORMANCE | | | | SYSTEM FEATURES | | | |
| Cooling | Nominal | Btu/h | 9100 | Wired Controller Interface (XE71) | Yes | | |
| | Capacity @95°F | Btu/h | | WiFi Included | Yes | | |
| Heating | Nominal | Btu/h | 10000 | Indoor Fan Type | Crossflow | | |
| | Capacity @5°F | Btu/h | | Multi Fan Speeds | 4 Speeds | | |
| | Capacity @17°F | Btu/h | | Indoor Unit Display | Yes | | |
| | Capacity @47°F | W | | Auxiliary Electrical Heater | No | | |
| SEER2 | | | | Ventilation (Outdoor Air) | No | | |
| EER2 | | | | REMOTE CONTROLLER FUNCTIONS | | | |
| HSPF2 | | | | Auto Mode | Yes | | |
| COP @5°F | | | | Auto Fan | Yes | | |
| COP @47°F | | | | Manual Horizontal Swing | Yes | | |
| Cooling Temperature Range | °F | | | Auto Swing (Vertical Auto Swing) | Yes | | |
| Heating Temperature Range | °F | | | Clock on Remote Controller | Yes | | |
| Refrigerant Type | R410A | | | Dry Mode | Yes | | |
| INDOOR UNIT | | 4LIV09HP230V1AH | | Dry Anti-Mildew (X-Fan) Mode | Yes | | |
| Air flow (Min-Max) | CFM | 159 - 353 | | Energy Saving Mode | Yes | | |
| Sound Pressure Level (Min - Max) | dB(A) | 26 - 41 | | Dirty Filter Alert | No | | |
| Dehumidification | pt/hr | 1.69 | | I Feel Function | Yes | | |
| External Dimensions (WxHxD) | in | 32-7/8 x 10-7/8 x 7-7/8 | | Lock on Remote Controller | Yes | | |
| Package Dimension (W x H x D) | in | 35-1/4 x 13-5/8 x 10-11/16 | | Quiet Mode | No | | |
| Net Weight | lbs | 19.8 | | Room Temperature Display | Yes | | |
| Gross Weight | lbs | 24.3 | | Sleep Mode | Yes | | |
| REFRIGERANT PIPING | | | | Timer Mode | Yes | | |
| Line Set Sized by the Indoor Unit (Liquid - Gas) - Flared Connections | in | 1/4 - 3/8 | | Turbo Mode | Yes | | |
| ELECTRICAL | | | | Display On/Off Control | Yes | | |
| Power Supply | 208 - 230V / 1Ph /60Hz (Powered by the Outdoor Unit) | | | Freeze Guard Mode (46°F) | Yes | | |
| | | | | Display On/Off Control | Yes | | |

DIMENSIONS & CLEARANCES

INDOOR UNIT

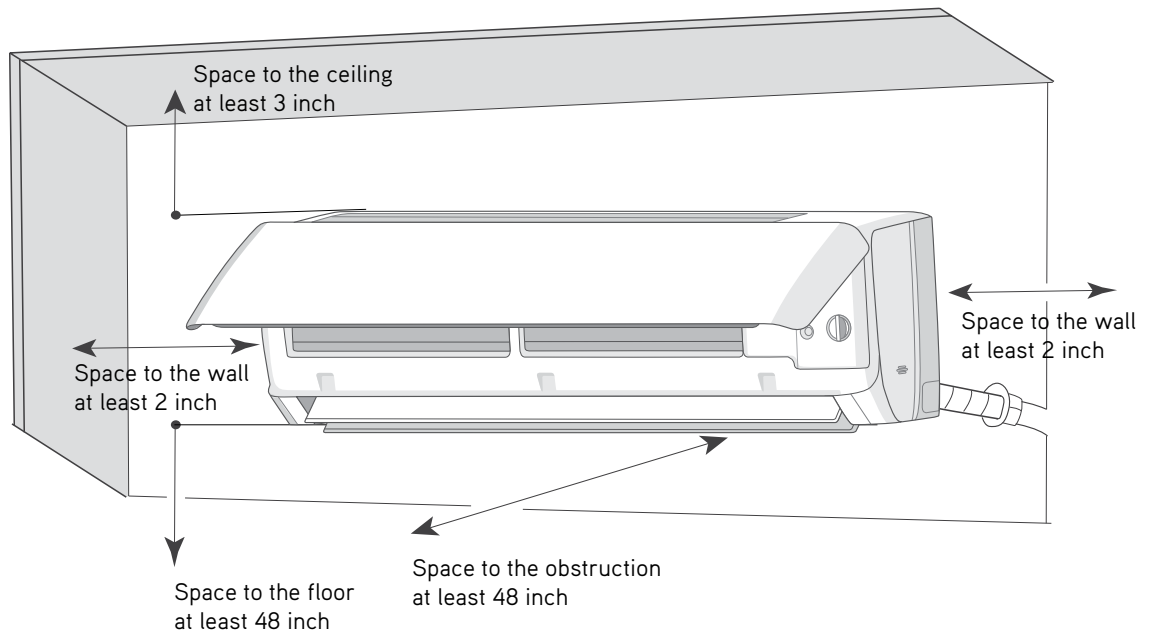
Unit: inch

| 4LIV09HP230V1AH | |
|-----------------|---------|
| DIMENSIONS | |
| W | 32-7/8 |
| H | 10-7/8 |
| D | 7-7/8 |
| W1 | 7-3/64 |
| W2 | 18-5/32 |
| W3 | 7-11/16 |



INDOOR UNIT

Minimum clearance



Specifications are subject to change without notice. Manufacturer reserves the right to discontinue or modify specifications or designs without notice or without incurring obligations. All Rights reserved.

GREECOMFORT.COM/SYSTEM-DOCUMENTATION