



# PARTS MANUAL

## Outdoor Units

### MODELS:

4LIV09HP115V1AO  
4LIV12HP115V1AO  
4LIV09HP230V1AO  
4LIV12HP230V1AO  
4LIV18HP230V1AO  
4LIV24HP230V1AO  
4LIV30HP230V1AO  
4LIV36HP230V1AO

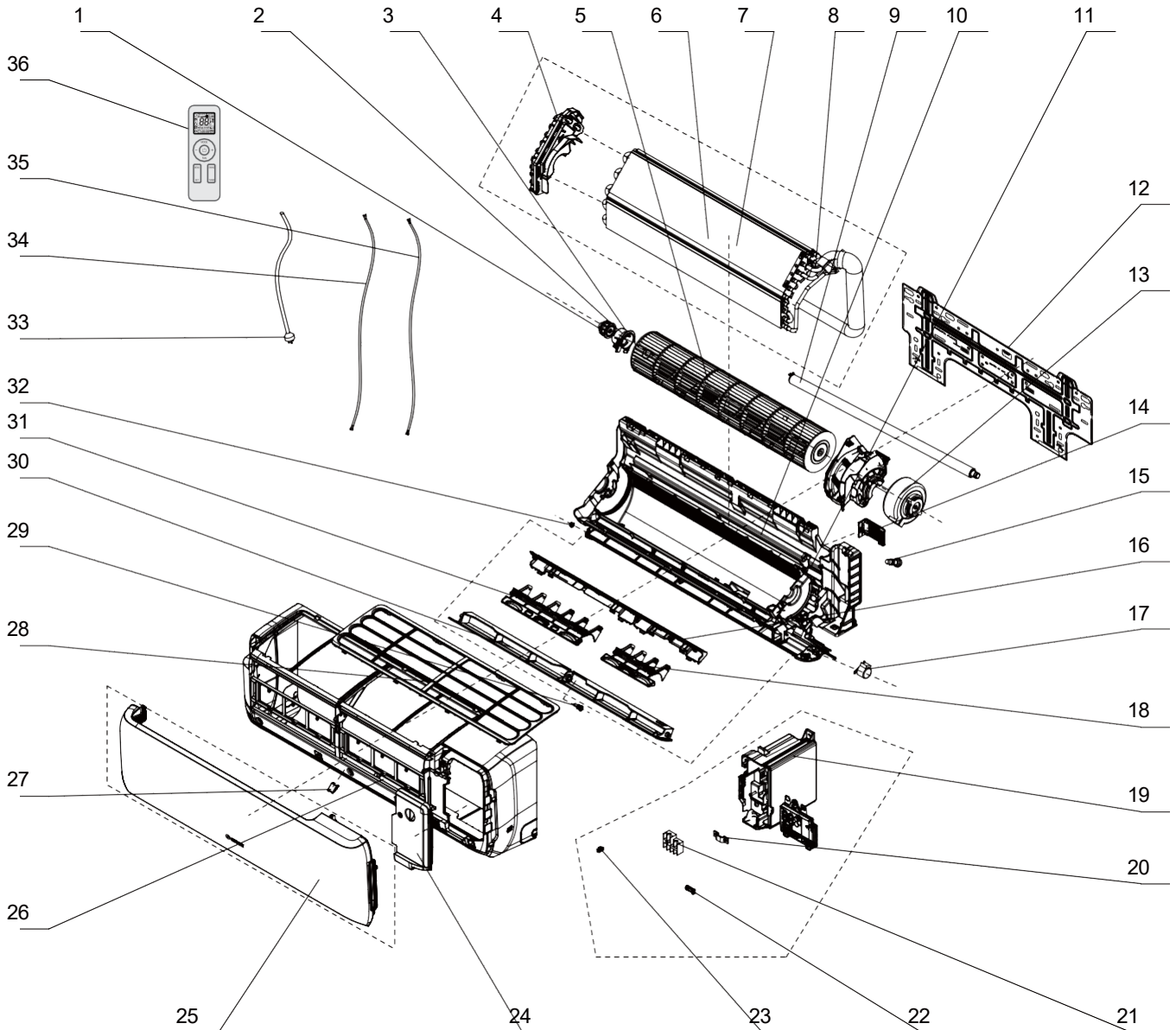
## Indoor Unit

### MODELS:

4LIV09HP115V1AH  
4LIV12HP115V1AH  
4LIV05HP230V1AH  
4LIV07HP230V1AH  
4LIV09HP230V1AH  
4LIV12HP230V1AH  
4LIV18HP230V1AH  
4LIV24HP230V1AH  
4LIV30HP230V1AH  
4LIV36HP230V1AH

# Indoor Unit

ATA 4LIV05HP230V1AH 4LIV07HP230V1AH



The component picture is only for reference; please refer to the actual product.



### 4LIV05HP230V1AH

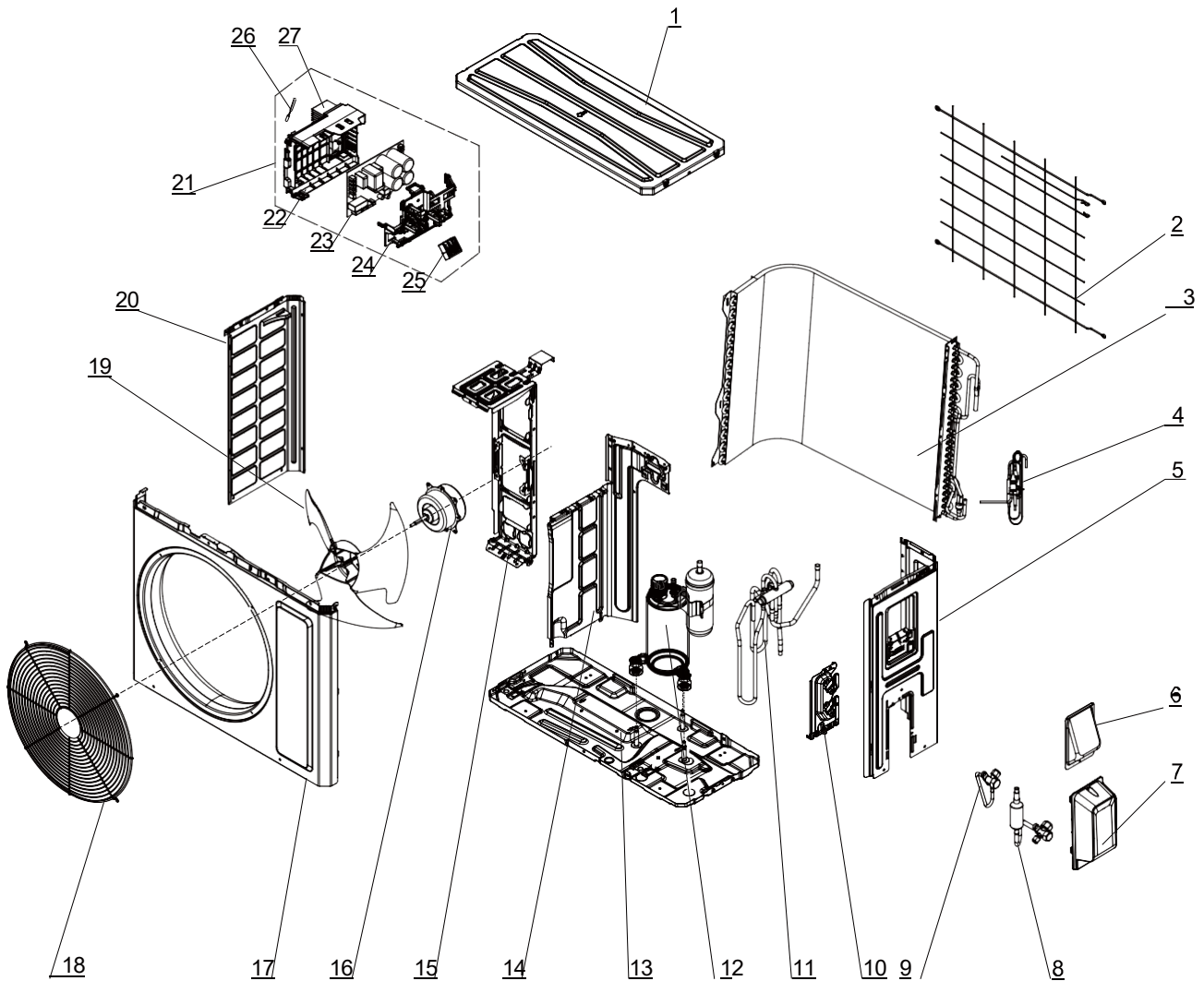
NO.	Part Description	Qty	Part Code
1	O-Gasket sub-Assy of Bearing	1	76512051
2	Ring of Bearing	1	26152022
3	Axile Bush Sub-Assy	1	10542047
4	Evaporator Support	1	200025060023
5	Cross Flow Fan	1	103001060037
6	Evaporator Sub-Assy	1	010001060717
7	Evaporator Assy	1	011001062407
8	Temp Sensor Sleeving	1	05212423
9	Drainage Hose	1	0523001408
10	Rear Case Sub-Assy	1	00037706007401
11	Rear Case Assy	1	000001060291
12	Wall Mounting Frame	1	TBD
13	Fan Motor	1	1501211501
14	Connecting pipe clamp	1	200017000001
15	Rubber Plug (Water Tray)	1	76712012
16	Helicoid Tongue	1	200006060026
17	Stepping Motor	1	1521210712
18	Air Louver 2	1	200007060106
19	Electric Box Assy	1	100002076831
20	Cable Clamp 2	0	NONE
21	Terminal Board	1	422000000018
22	Wire Clamp	0	NONE
23	Jumper	1	4202021911
24	Electric Box Cover	1	200082060090
25	Front Panel	1	200003060303T
26	Front Case Sub-Assy	1	209007060091
27	Screw Cover	1	20000500000101
28	Filter Sub-Assy	1	111001060339
29	Axile Bush	1	10542036
30	Guide Louver	1	200004060194
31	Air Louver 1	1	200007060105
32	Left Axile Bush	1	10512037
33	Power Cord	0	NONE
34	Connecting Cable	0	NONE
35	Connecting Cable	0	NONE
36	Remote Controller	1	305001000121



### 4LIV07HP230V1AH

NO.	Part Description	Qty	Part Code
1	O-Gasket sub-Assy of Bearing	1	76512051
2	Ring of Bearing	1	26152022
3	Axile Bush Sub-Assy	1	10542047
4	Evaporator Support	1	200025060023
5	Cross Flow Fan	1	103001060037
6	Evaporator Sub-Assy	1	010001060717
7	Evaporator Assy	1	011001062407
8	Temp Sensor Sleevng	1	05212423
9	Drainage Hose	1	0523001408
10	Rear Case Sub-Assy	1	00037706007401
11	Rear Case Assy	1	000001060291
12	Wall Mounting Frame	1	TBD
13	Fan Motor	1	1501211501
14	Connecting pipe clamp	1	200017000001
15	Rubber Plug (Water Tray)	1	76712012
16	Helicoid Tongue	1	200006060026
17	Stepping Motor	1	1521210712
18	Air Louver 2	1	200007060106
19	Electric Box Assy	1	100002076803
20	Cable Clamp 2	0	NONE
21	Terminal Board	1	422000000018
22	Wire Clamp	0	NONE
23	Jumper	1	4202021914
24	Electric Box Cover	1	200082060090
25	Front Panel	1	200003060303T
26	Front Case Sub-Assy	1	209007060091
27	Screw Cover	1	20000500000101
28	Filter Sub-Assy	1	111001060339
29	Axile Bush	1	10542036
30	Guide Louver	1	200004060194
31	Air Louver 1	1	200007060105
32	Left Axile Bush	1	10512037
33	Power Cord	0	NONE
34	Connecting Cable	0	NONE
35	Connecting Cable	0	NONE
36	Remote Controller	1	305001000121

4LIV09HP115V1AO 4LIV12HP115V1AO 4LIV09HP230V1AO 4LIV12HP230V1AO



The component picture is only for reference; please refer to the actual product.

NO.	Description
1	Coping
2	Rear Grill
3	Condenser Assy
4	Capillary Sub-Assy
5	Right Side Plate
6	Cover of Pass Wire
7	Valve Cover
8	Cut-off valve Sub-Assy
9	Cut-off valve

NO.	Description
10	Valve Support
11	4-way valve Assy
12	Compressor and Fittings
13	Chassis Sub-Assy
14	Clapboard
15	Motor Support
16	Brushless DC Motor
17	Cabinet
18	Front Grill

NO.	Description
19	Axial Flow Fan
20	Left Side Plate
21	Electric Box Assy
22	Electric Box
23	Main Board
24	Electric Box Cover
25	Terminal Board
26	Temperature Sensor
27	Radiator

Some models may not contain some parts, please refer to the actual product.



## 4LIV09HP115V1AO



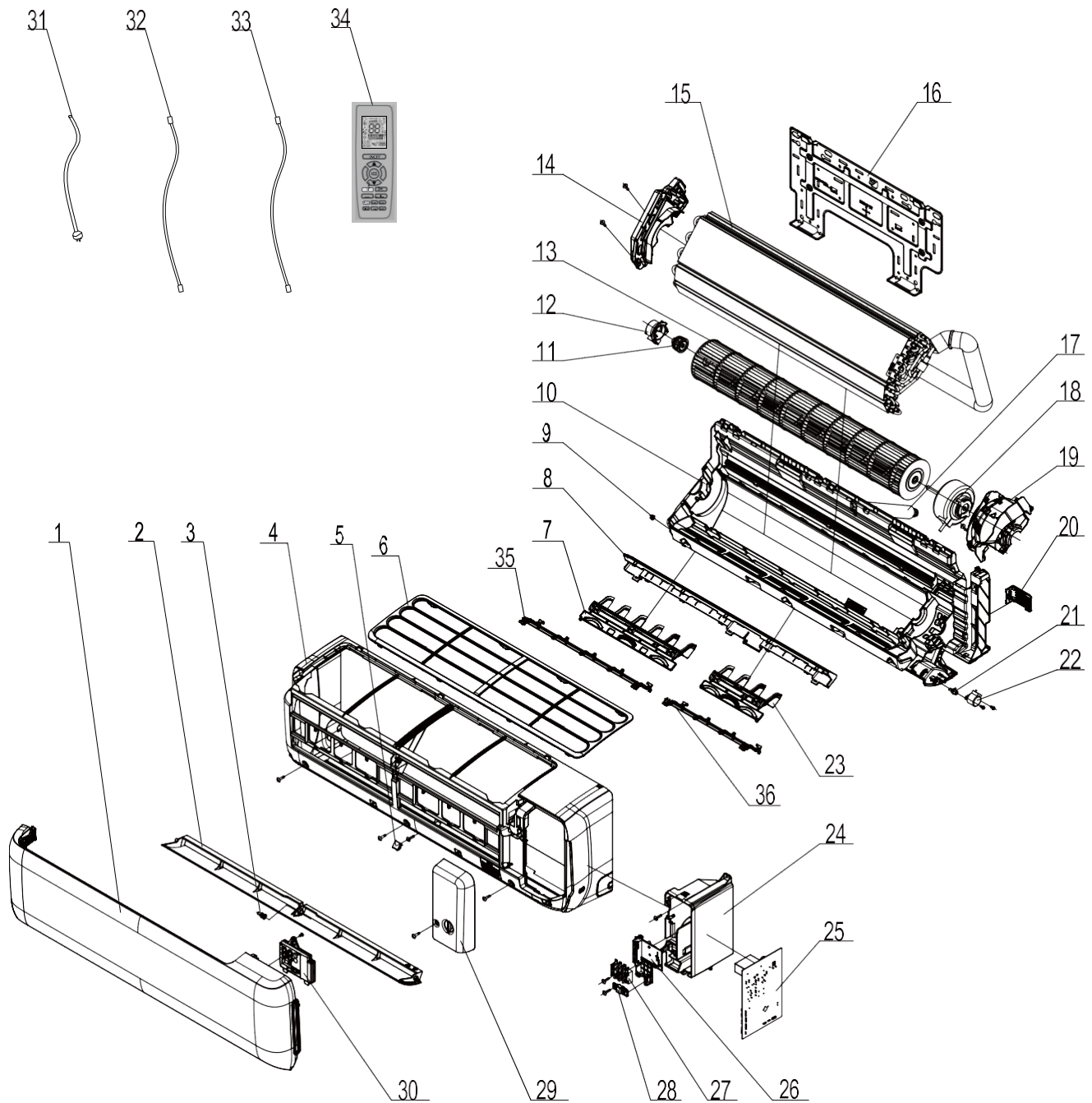
No.	Part Description	Qty.	Part No.
13	Chassis Sub-Assy	1	017000060724P
NS	Electrical Heater (Chassis)	1	7651001001
12	Compressor and Fittings	1	009001060716
10	Valve Support	1	012044060022P
8	Cut off Valve Sub-Assy	1	030057060359
NS	Silencer	1	035023000009
NS	Cut-off valve 3/8(N)	1	070001060029
9	Cut-off valve 1/4(N)	1	070001060022
4	Capillary Sub-Assy	1	030006061543
NS	One Way Valve	1	0713010301
NS	Strainer A	1	07210022
NS	Strainer (fork shape)	1	072111031
11	4-Way Valve Assy	1	030152061183
NS	4-Way Valve	1	072007060004
3	Condenser Assy	1	011002061561
NS	Pipe Sub-Assy	1	030030060290
NS	Temp Sensor Sleaving	1	05212423
NS	Liquid Collecting Pipe	1	030050060652
NS	Sponge (Condenser)	1	1212309101
NS	Temp Sensor Support	1	42020063
14	Clapboard	1	012051060895
27	Reactor	1	450004060021
15	Motor Support	1	012048060149
16	Brushless DC Motor	1	150104060095
19	Axial Flow Fan	1	10333428
NS	Magnet Coil	1	4300307301
21	Electric Box Assy	1	100002077188
26	Temperature Sensor	1	3900030811
25	Terminal Board	1	422000060075
23	Main Board	1	300027062890
NS	Relay	1	44020449
NS	XY capacitor	2	33020201
20	Left Side Plate	1	012055060397P01



## 4LIV09HP115V1AO

No.	Parts Description	Qty.	Part No.
5	Right Side Plate	1	01205606038406P01
17	Front Panel Assy	1	00000306073401
NS	Cabinet	1	01202206001202P01
18	Front Grille	1	016004060016
1	Top cover	1	012049060124P
2	Rear Grille	1	016001060095
NS	Sponge (Rear Grille)	1	12204221
6	Cable Cross Plate	1	01220906002801P
7	Valve Cover	1	200087060004
NS	Drainage Joint	1	26113009

4LIV09HP115V1AH, 4LIV12HP115V1AH, 4LIV09HP230V1AH, 4LIV12HP230V1AH



The component picture is only for reference; please refer to the actual product.



### 4LIV09HP115V1AH

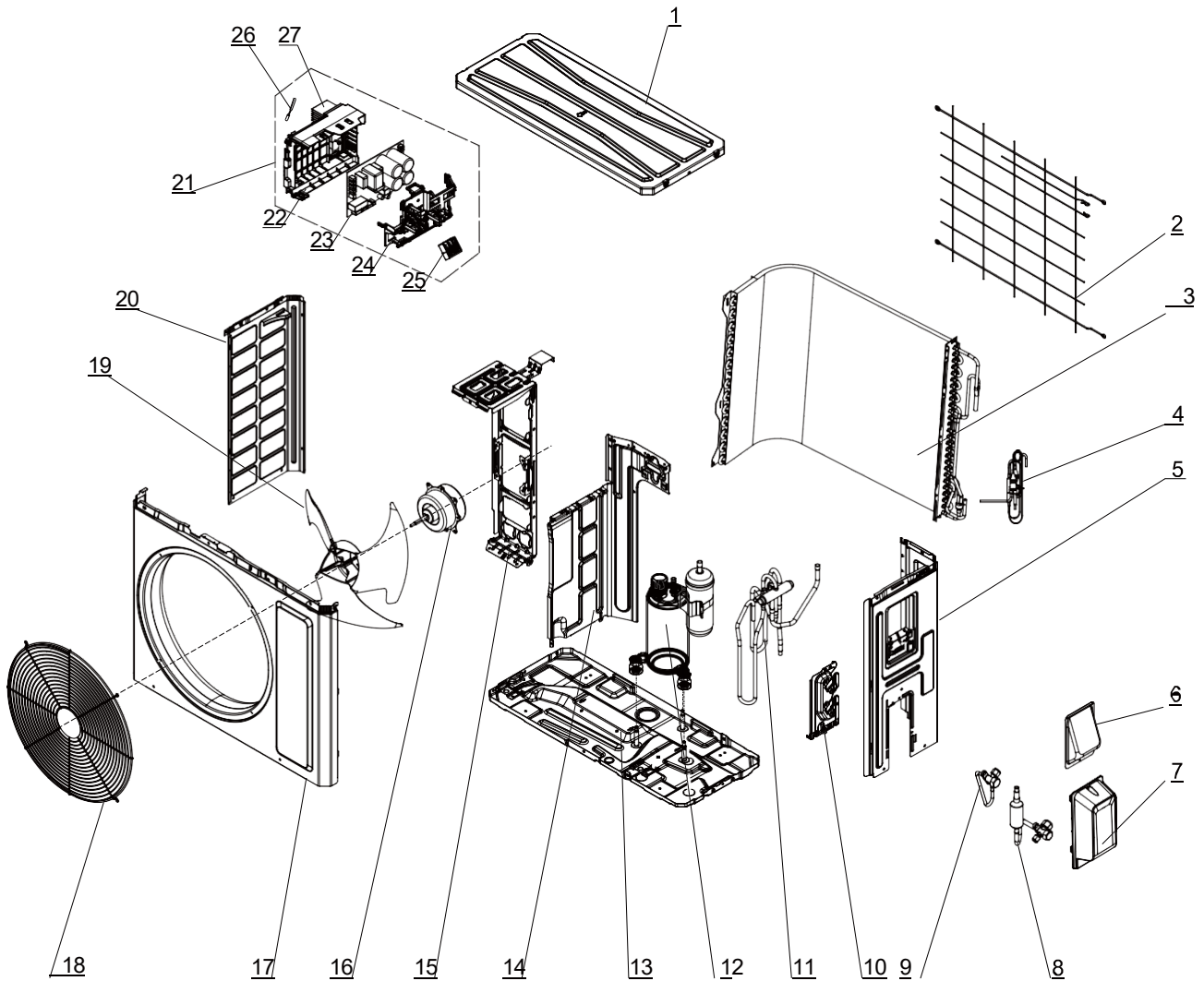
No.	Part Description	Qty.	Part No.
10	Rear Case	1	200001060090
8	Helicoid Tongue	1	200006060028
NS	Foam	1	120000060295
NS	Foam	1	120000060296
NS	Sponge 1(Rear case)	1	110000072980
NS	Sponge 3(Rear case)	1	110000072861
7	Air Louver (left)	1	200007060108
23	Air Louver(right)	1	200007060109
22	Stepping Motor	1	1521210712
21	Crank	1	10582070
NS	Axile Bush Sub-Assy	1	10542047
NS	O-Gasket sub of Bearing	1	76512051
11	Ring of Bearing	1	26152022
18	Fan Motor	1	1501208911
NS	Fan Motor Heat Protector	1	15010032
13	Cross Flow Fan	1	103001060038
19	Motor Press Plate	1	200020060016
9	Left Axile Bush	1	10512037
NS	Cable Cross Plate	1	02122023P
NS	Cable Cross Plate	1	02122023
NS	Drainage Hose	1	05230014
14	Evaporator Support	1	200025060027
15	Evaporator Assy	1	01100106240501
NS	Evaporator Rt Border PL	1	012005060441
NS	Temp Sensor Sleeving	1	05212423
NS	Temp Sensor (Support)	1	42020063
NS	Electric Box Assy	1	100002077181
24	Electric Box	1	200013060124
25	Main Board	1	300002063290
NS	Capacitor CBB61S	1	3301074721
NS	Jumper	1	4202021905
NS	Electric Box Support	1	200114060113
30	Display Board	1	300001061316



## 4LIV09HP115V1AH

No.	Part Description	Qty.	Part No.
NS	Membrane	1	600006060154
27	Terminal Board	1	422000000022
32	Temperature Sensor 1	1	3900031302
NS	Front Case Assy	1	000002060324
4	Front Case	1	200002060087
NS	Filter Sub-Assy	1	111001060341
NS	Screw Cover	1	200005060030
2	Guide Louver	1	200004060197
3	Axile Bush	1	10542036
1	Front Panel	1	200003060306T
29	Electric Box Cover	1	200082060091
NS	Connecting pipe clamp	1	200017000001
16	Wall Mounting Frame	1	012043000008
34	Remote Controller	1	305001060106
NS	Rear Case	1	200001060081
NS	Front case	1	2220015003S01

4LIV09HP115V1AO 4LIV12HP115V1AO 4LIV09HP230V1AO 4LIV12HP230V1AO



The component picture is only for reference; please refer to the actual product.

NO.	Description
1	Coping
2	Rear Grill
3	Condenser Assy
4	Capillary Sub-Assy
5	Right Side Plate
6	Cover of Pass Wire
7	Valve Cover
8	Cut-off valve Sub-Assy
9	Cut-off valve

NO.	Description
10	Valve Support
11	4-way valve Assy
12	Compressor and Fittings
13	Chassis Sub-Assy
14	Clapboard
15	Motor Support
16	Brushless DC Motor
17	Cabinet
18	Front Grill

NO.	Description
19	Axial Flow Fan
20	Left Side Plate
21	Electric Box Assy
22	Electric Box
23	Main Board
24	Electric Box Cover
25	Terminal Board
26	Temperature Sensor
27	Radiator

Some models may not contain some parts, please refer to the actual product.

### 4LIV12HP115V1AO

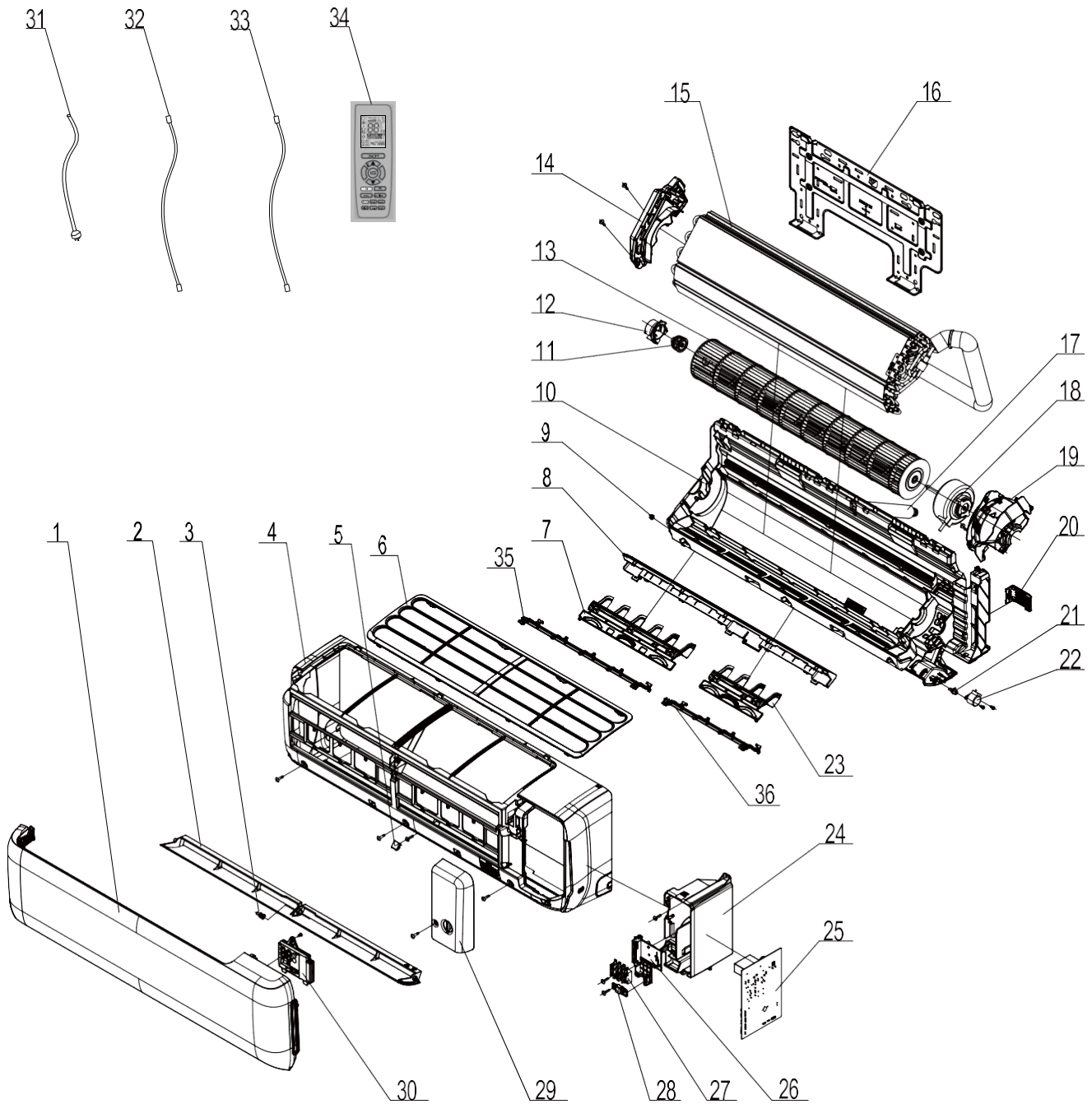
No.	Part Description	Qty.	Part No.
13	Chassis Sub-Assy	1	017000060724P
NS	Electrical Heater (Chassis)	1	7651001001
12	Compressor and Fittings	1	009001060648
NS	Compressor Gasket	3	009012060047
3	Condenser Assy	1	011002061561
NS	Pipe Sub-Assy	1	030030060290
NS	Temp Sensor Sleeving	1	05212423
NS	Liquid Collecting Pipe	1	030050060652
NS	Sponge (Condenser)	1	1212309101
NS	Temp Sensor Support	1	42020063
4	Capillary Sub-Assy	1	030006061120
NS	One Way Valve	1	0713010301
NS	Strainer B	1	035021060010
NS	Strainer A	1	07210022
10	Valve Support	1	012044060022P
8	Cut-off Valve Sub-Assy	1	030057060359
7	Silencer	1	035023000009
NS	Cut-off Valve 3/8(N)	1	070001060029
9	Cut-off Valve 1/4(N)	1	070001060022
11	4-Way Valve Assy	1	030152061185
NS	4-Way Valve Only	1	072007060013
14	Clapboard	1	012051060895
27	Reactor	1	450004060021
15	Motor Support	1	012048060149
16	Brushless DC Motor	1	150104060095
19	Axial Flow Fan	1	10333428
NS	Magnet Coil (4-Way Valve)	1	4300307301
NS	Electric Box Assy	1	100002077093
23	Main Board	1	300027062852
NS	Relay 25A 250VAC/12DC	1	44020449
NS	XY capacitor .33uf 275VAC	2	33020201
26	Temperature Sensor	1	3900030811
25	Terminal Board	1	422000060075



## 4LIV12HP115V1AO

No.	Part Description	Qty.	Part No.
20	Left Side Plate	1	012055060397P01
NS	Right Side Plate Assy	1	00008106026603
5	Right Side Plate	1	01205606038406P01
17	Front Panel Assy	1	00000306073401
NS	Cabinet	1	01202206001202P01
18	Front Grille	1	016004060016
NS	Top Cover Assy	1	000097060345
1	Top cover	1	012049060124P
2	Rear Grille	1	016001060095
NS	Sponge (Rear Grille)	1	12204221
6	Cable Cross Plate	1	01220906002801P
7	Valve Cover	1	200087060004
NS	Drainage Joint	1	26113009

4LIV09HP115V1AH, 4LIV12HP115V1AH, 4LIV09HP230V1AH, 4LIV12HP230V1AH



The component picture is only for reference; please refer to the actual product.

### 4LIV12HP115V1AH

No.	Part Description	Qty.	Part No.
10	Rear Case	1	200001060090
8	Helicoid Tongue	1	200006060028
NS	Foam	1	120000060295
NS	Foam	1	120000060296
NS	Sponge 1(Rear case)	1	110000072980
NS	Sponge 3(Rear case)	1	110000072861
7	Air Louver (left)	1	200007060108
23	Air Louver(right)	1	200007060109
22	Stepping Motor	1	1521210712
21	Crank	1	10582070
NS	Axile Bush Sub-Assy	1	10542047
NS	O-Gasket sub of Bearing	1	76512051
11	Ring of Bearing	1	26152022
18	Fan Motor	1	15012511
13	Cross Flow Fan	1	103001060038
19	Motor Press Plate	1	200020060016
9	Left Axile Bush	1	10512037
NS	Cable Cross Plate	1	02122023P
NS	Cable Cross Plate	1	02122023
NS	Drainage Hose	1	05230014
14	Evaporator Support	1	200025060027
15	Evaporator Assy	1	01100106240501
NS	Evaporator Rt Border Pl	1	012005060441
NS	Temp Sensor Sleaving	1	05212423
NS	Temp Sensor (Support)	1	42020063
NS	Electric Box Assy	1	100002077155
24	Electric Box	1	200013060124
25	Main Board	1	300002063325
NS	Jumper	1	4202021907
NS	Electric Box Support	1	200114060113
30	Display Board	1	300001061316
NS	Detecting Plate	1	300018060403
NS	Membrane	1	600006060154
27	Terminal Board	1	422000000022
32	Temperature Sensor 1	1	3900031302
NS	Front Case Assy	1	000002060324

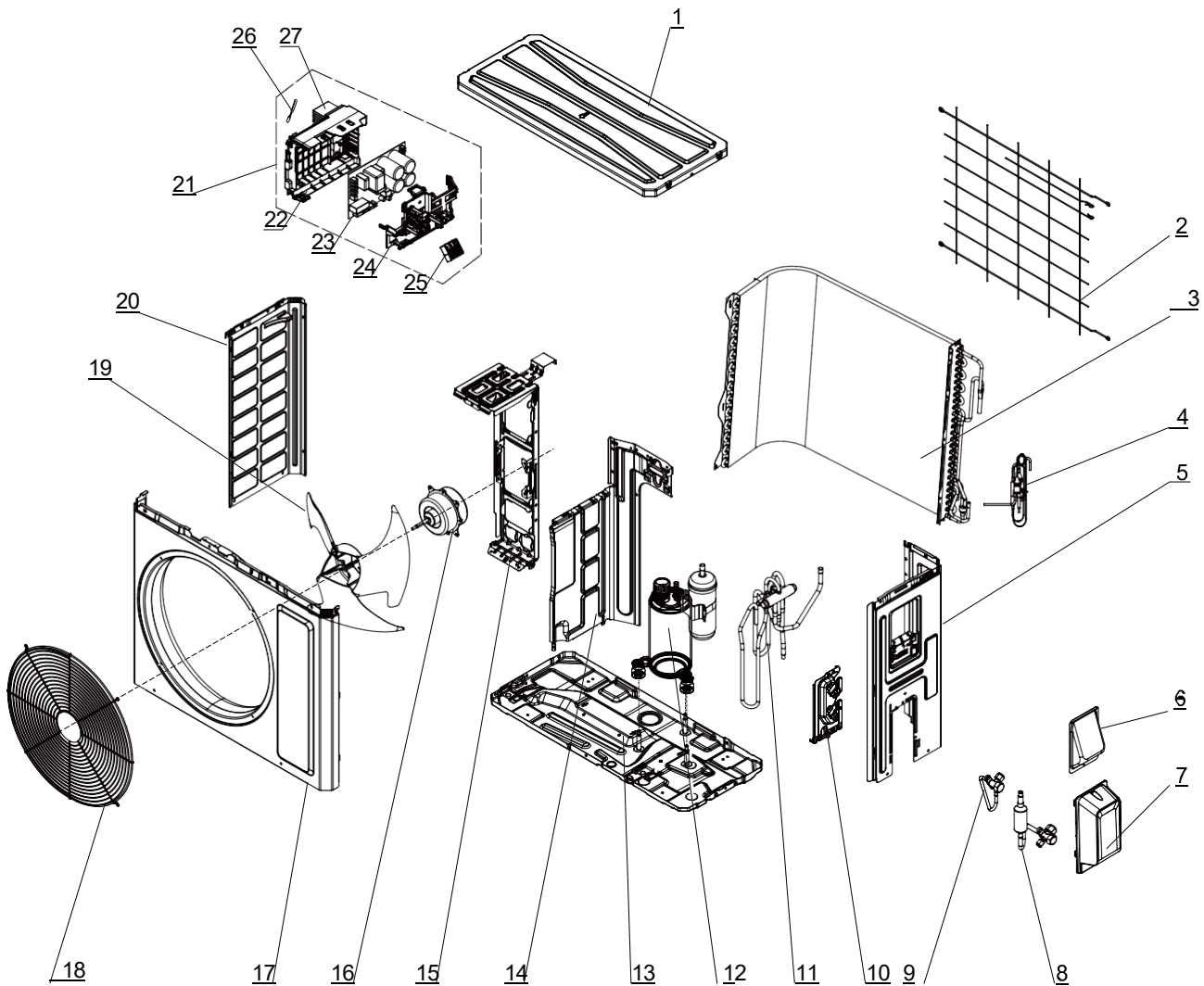


### 4LIV12HP115V1AH

No.	Part Description	Qty.	Part No.
4	Front Case	1	200002060087
NS	Filter Sub-Assy	1	111001060341
NS	Screw Cover	1	200005060030
2	Guide Louver	1	200004060197
3	Axile Bush	1	10542036
1	Front Panel	1	200003060306T
29	Electric Box Cover	1	200082060091
NS	Connecting pipe clamp	1	200017000001
16	Wall Mounting Frame	1	012043000008
34	Remote Controller	1	305001060106
NS	Rear Case	1	200001060081
NS	Front case	1	2220015003S01
NS	Capacitor CBB61S	1	NONE
NS	Fan Motor Heat Protector	1	NONE



4LIV09HP115V1AO 4LIV12HP115V1AO 4LIV09HP230V1AO 4LIV12HP230V1AO



The component picture is only for reference; please refer to the actual product.

NO.	Description
1	Coping
2	Rear Grill
3	Condenser Assy
4	Capillary Sub-Assy
5	Right Side Plate
6	Cover of Pass Wire
7	Valve Cover
8	Cut-off valve Sub-Assy
9	Cut-off valve

NO.	Description
10	Valve Support
11	4-way valve Assy
12	Compressor and Fittings
13	Chassis Sub-Assy
14	Clapboard
15	Motor Support
16	Brushless DC Motor
17	Cabinet
18	Front Grill

NO.	Description
19	Axial Flow Fan
20	Left Side Plate
21	Electric Box Assy
22	Electric Box
23	Main Board
24	Electric Box Cover
25	Terminal Board
26	Temperature Sensor
27	Radiator

Some models may not contain some parts, please refer to the actual product.

### 4LIV09HP230V1AO

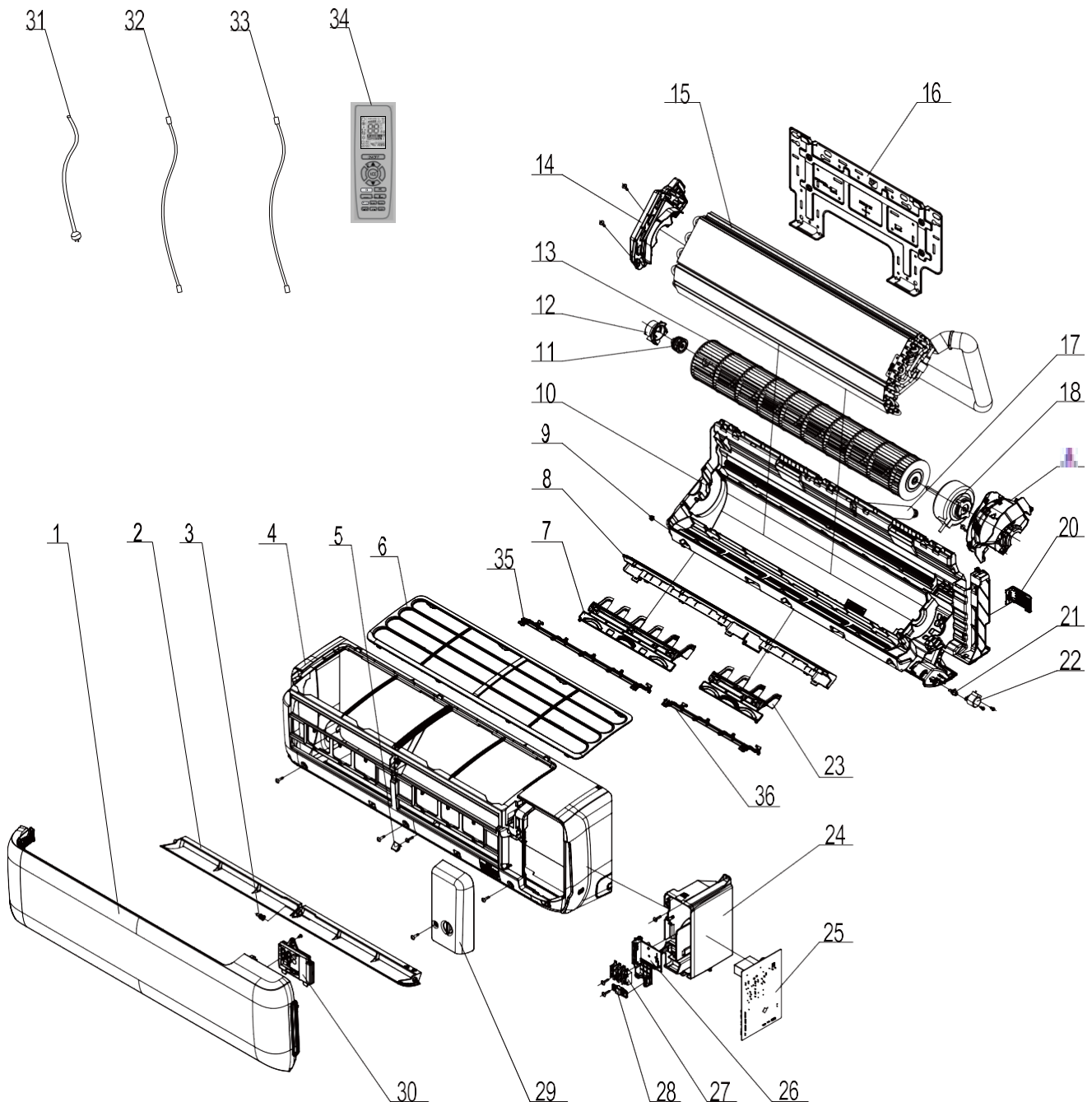
No.	Part Description	Qty.	Part No.
13	Chassis Sub-Assy	1	017000060724P
NS	Electrical Heater (Chassis)	1	7651000423
12	Compressor and Fittings	1	009001060739
NS	Compressor Gasket	3	009012060035
10	Valve Support	1	012044060022P
8	Cut off Valve Sub-Assy	1	030057060359
NS	Silencer	1	035023000009
NS	Cut-off valve 3/8(N)	1	070001060029
9	Cut-off valve 1/4(N)	1	070001060022
NS	4-Way Valve Assy w/Weight	1	030152060865
11	4-Way Valve Assy	1	030152060657
NS	4-Way Valve Only	1	072007060004
4	Capillary Sub-Assy	1	030006061543
NS	One Way Valve	1	0713010301
NS	Strainer A	1	07210022
NS	Strainer (fork shape)	1	072111031
3	Condenser Assy	1	011002061561
NS	Pipe Sub-Assy	1	030030060290
NS	Temp Sensor Sleeving	1	05212423
NS	Liquid Collecting Pipe	1	030050060652
NS	Sponge (Condenser)	1	1212309101
NS	Temp Sensor Support	1	42020063
14	Clapboard	1	012051060895
15	Motor Support	1	012048060149
16	Brushless DC Motor	1	150104060095
19	Axial Flow Fan	1	10333428
NS	Magnet Coil (4-Way Valve)	1	4300040072
21	Electric Box Assy	1	100002077007
26	Temperature Sensor	1	3900030811
25	Terminal Board (3 Lug)	1	42200006007501
23	Main Board	1	300027062832
NS	Temperature Sensor clamp	1	012058060009
20	Left Side Plate	1	012055060397P01



## 4LIV09HP230V1AO

No.	Part Description	Qty.	Part No.
NS	Right Side Plate Assy	1	00008106028005
5	Right Side Plate	1	01205606038406P01
NS	Wire Clamp	1	200015060025
2	Rear Grille	1	016001060095
NS	Sponge (Rear Grille)	1	12204221
17	Front Panel Assy	1	00000306073401
NS	Cabinet	1	01202206001202P01
18	Front Grille	1	016004060016
NS	Top Cover Assy	1	000097060345
1	Top cover	1	012049060124P
6	Cable Cross Plate	1	01220906002801P
7	Valve Cover	1	200087060004
NS	Drainage Joint	1	26113009

4LIV09HP115V1AH, 4LIV12HP115V1AH, 4LIV09HP230V1AH, 4LIV12HP230V1AH



The component picture is only for reference; please refer to the actual product.

## 4LIV09HP230V1AH

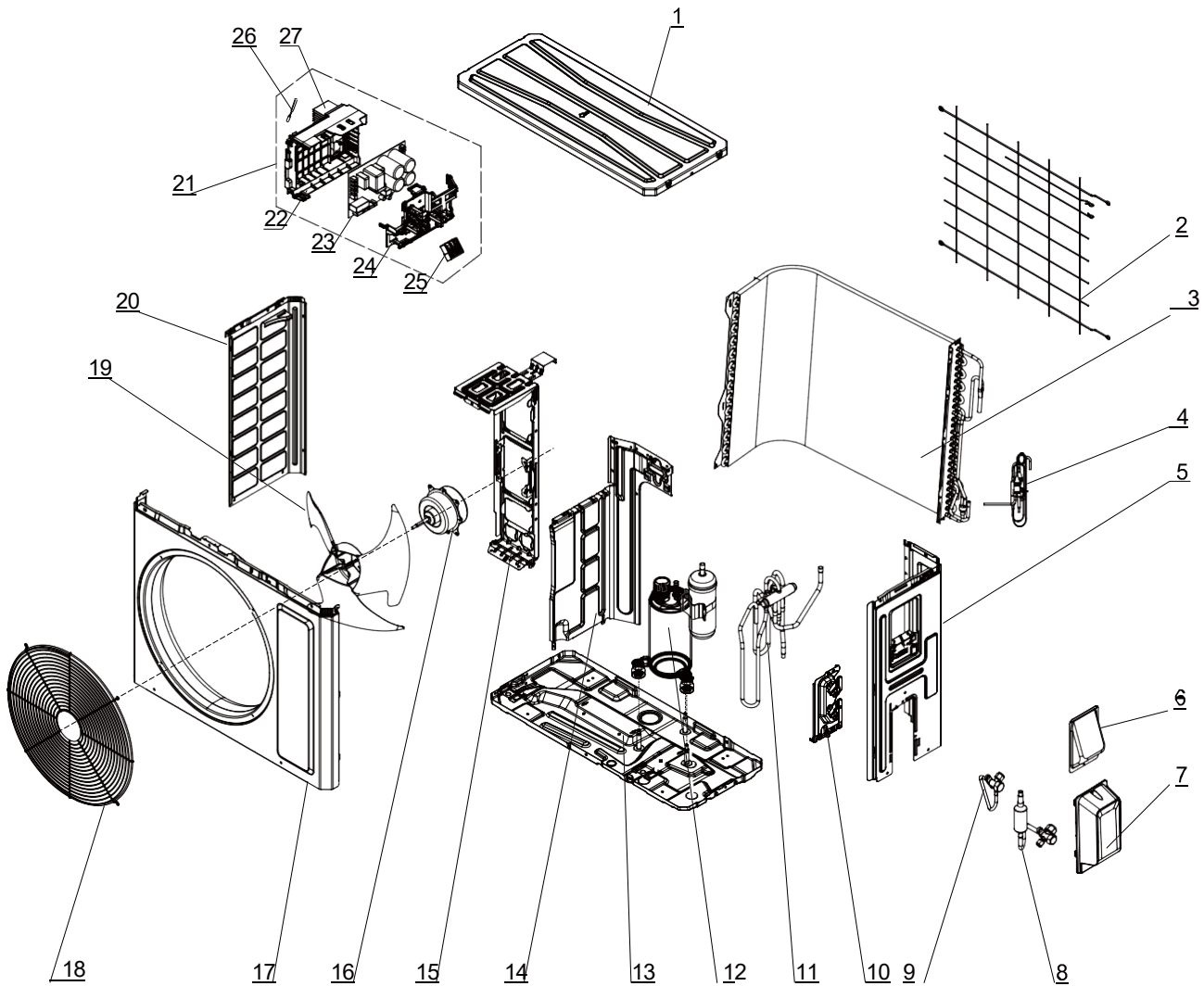
No.	Part Description	Qty.	Part No.
10	Rear Case 1	1	200001060090
8	Helicoid Tongue	1	200006060028
NS	Foam	1	120000060295
NS	Foam	1	120000060296
NS	Sponge 1(Rear case)	1	110000072980
NS	Sponge 3(Rear case)	1	110000072861
7	Air Louver (left)	1	200007060108
23	Air Louver(right)	1	200007060109
22	Stepping Motor	1	1521210712
21	Crank	1	10582070
NS	Axile Bush Sub-Assy	1	10542047
NS	O-Gasket sub of Bearing	1	76512051
11	Ring of Bearing	1	26152022
18	Fan Motor	1	15010106028201
NS	Fan Motor Heat Protector	1	15010032
13	Cross Flow Fan	1	103001060038
19	Motor Press Plate	1	200020060016
9	Left Axile Bush	1	10512037
NS	Cable Cross Plate	1	02122023P
NS	Cable Cross Plate	1	02122023
NS	Drainage Hose	1	05230014
14	Evaporator Support	1	200025060027
15	Evaporator Assy	1	01100106240501
NS	Evaporator Rt Border Pl	1	012005060441
NS	Temp Sensor Sleaving	1	05212423
NS	Temp Sensor (Support)	1	42020063
NS	Electric Box Assy	1	100002077013
24	Electric Box	1	200013060124
25	Main Board	1	300002063291
NS	Jumper	1	4202021905
NS	Electric Box Support	1	200114060113
30	Display Board	1	300001061316
NS	Detecting Plate	1	300018060403



## 4LIV09HP230V1AH

No.	Part Description	Qty.	Part No.
NS	Membrane	1	600006060154
27	Terminal Board	1	422000000022
32	Temperature Sensor 1	1	3900031302
NS	Front Case Assy	1	000002060324
4	Front Case	1	200002060087
NS	Filter Sub-Assy	1	111001060341
NS	Screw Cover	1	200005060030
2	Guide Louver	1	200004060197
3	Axile Bush	1	10542036
1	Front Panel	1	200003060306T
29	Electric Box Cover	1	200082060091
NS	Connecting pipe clamp	1	200017000001
16	Wall Mounting Frame	1	012043000008
34	Remote Controller	1	305001060106
NS	Rear Case 2	1	200001060081
NS	Front case	1	2220015003S01
NS	Capacitor CBB61S	1	NONE

4LIV09HP115V1AO 4LIV12HP115V1AO 4LIV09HP230V1AO 4LIV12HP230V1AO



The component picture is only for reference; please refer to the actual product.

NO.	Description
1	Coping
2	Rear Grill
3	Condenser Assy
4	Capillary Sub-Assy
5	Right Side Plate
6	Cover of Pass Wire
7	Valve Cover
8	Cut-off valve Sub-Assy
9	Cut-off valve

NO.	Description
10	Valve Support
11	4-way valve Assy
12	Compressor and Fittings
13	Chassis Sub-Assy
14	Clapboard
15	Motor Support
16	Brushless DC Motor
17	Cabinet
18	Front Grill

NO.	Description
19	Axial Flow Fan
20	Left Side Plate
21	Electric Box Assy
22	Electric Box
23	Main Board
24	Electric Box Cover
25	Terminal Board
26	Temperature Sensor
27	Radiator

Some models may not contain some parts, please refer to the actual product.

### 4LIV12HP230V1AO

No.	Part Description	Qty.	Part No.
13	Chassis Sub-Assy	1	017000060724P
NS	Electrical Heater (Chassis)	1	7651000423
12	Compressor and Fittings	1	009001060648
NS	Compressor Gasket	3	009012060047
11	4-Way Valve Assy	1	030152061275
NS	Silencer 1	1	035023060025
NS	4-Way Valve Only	1	072007060013
10	Valve Support	1	012044060022P
8	Cut-off Valve Sub-Assy	1	030057060359
NS	Silencer 2	1	035023000009
NS	Cut-off Valve 3/8(N)	1	070001060029
9	Cut-off Valve 1/4(N)	1	070001060022
4	Capillary Sub-Assy	1	030006061780
NS	Strainer A	1	07210022
NS	One Way Valve	1	0713010301
NS	Strainer (fork shape)	1	072111031
3	Condenser Assy	1	011002061547
NS	Liquid Collecting Pipe	1	030050060652
NS	Temp Sensor Sleeving	1	05212423
NS	Pipe Sub-Assy	1	030030060290
NS	Sponge (Condenser)	1	1212309101
NS	Temp Sensor Support	1	42020063
14	Clapboard	1	012051060895
15	Motor Support	1	012048060149
16	Brushless DC Motor	1	150104060095
19	Axial Flow Fan	1	10333428
NS	Magnet Coil (4-Way Valve)	1	4300040072
21	Electric Box Assy	1	100002077142
23	Main Board	1	300027062849
26	Temperature Sensor	1	3900030811
25	Terminal Board	1	42200006007501
20	Left Side Plate	1	012055060397P01
NS	Right Side Plate Assy	1	00008106028005

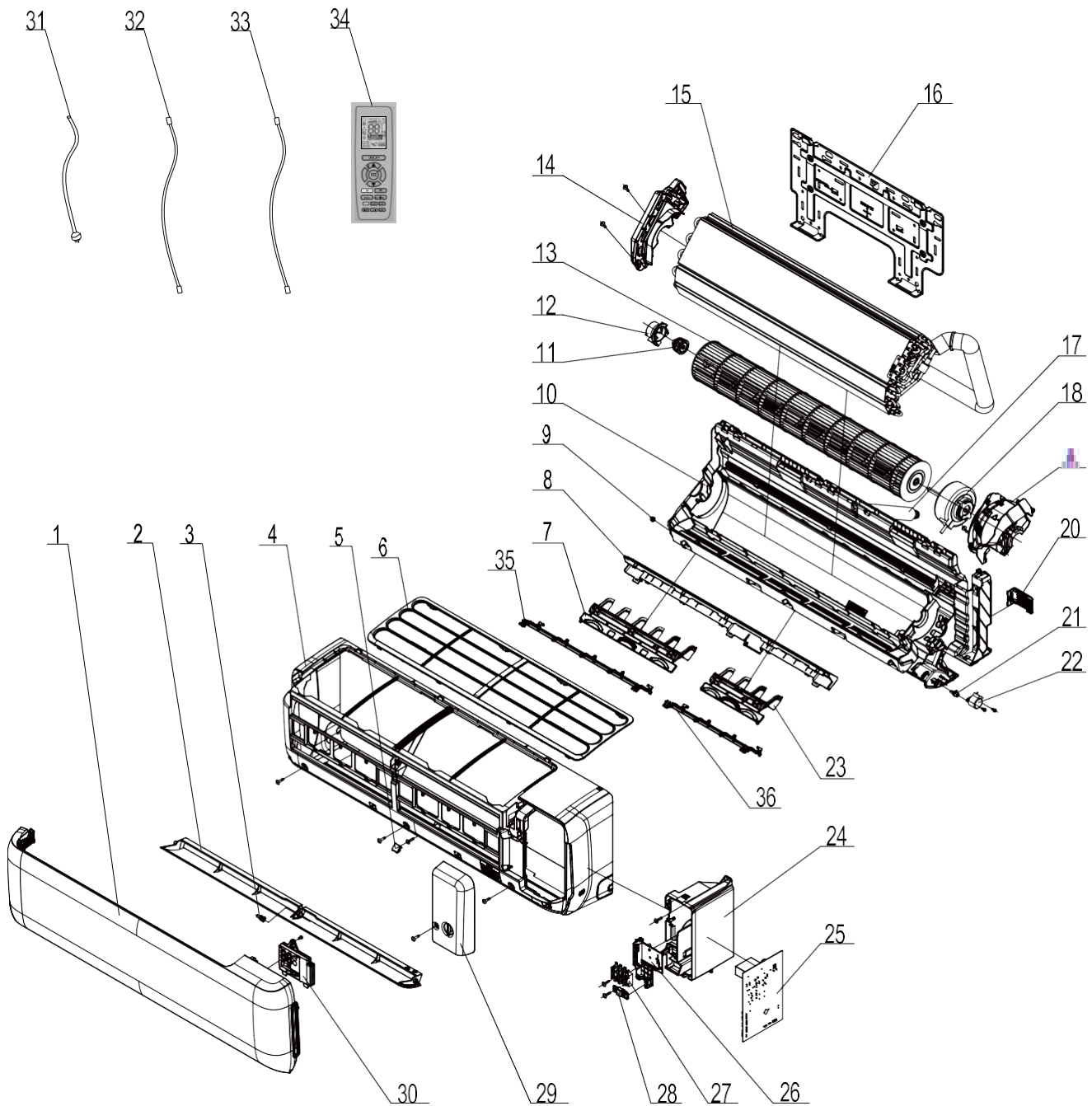




## 4LIV12HP230V1AO

No.	Part Description	Qty.	Part No.
5	Right Side Plate	1	01205606038406P01
NS	Wire Clamp	1	200015060025
17	Front Panel Assy	1	00000306073401
NS	Cabinet	1	01202206001202P01
18	Front Grille	1	016004060016
NS	Top Cover Assy	1	000097060345
1	Top cover	1	012049060124P
2	Rear Grille	1	016001060095
NS	Sponge (Rear Grille)	1	12204221
6	Cable Cross Plate	1	01220906002801P
7	Valve Cover	1	200087060004
NS	Drainage Joint	1	26113009

4LIV09HP115V1AH, 4LIV12HP115V1AH, 4LIV09HP230V1AH, 4LIV12HP230V1AH



The component picture is only for reference; please refer to the actual product.

### 4LIV12HP230V1AH

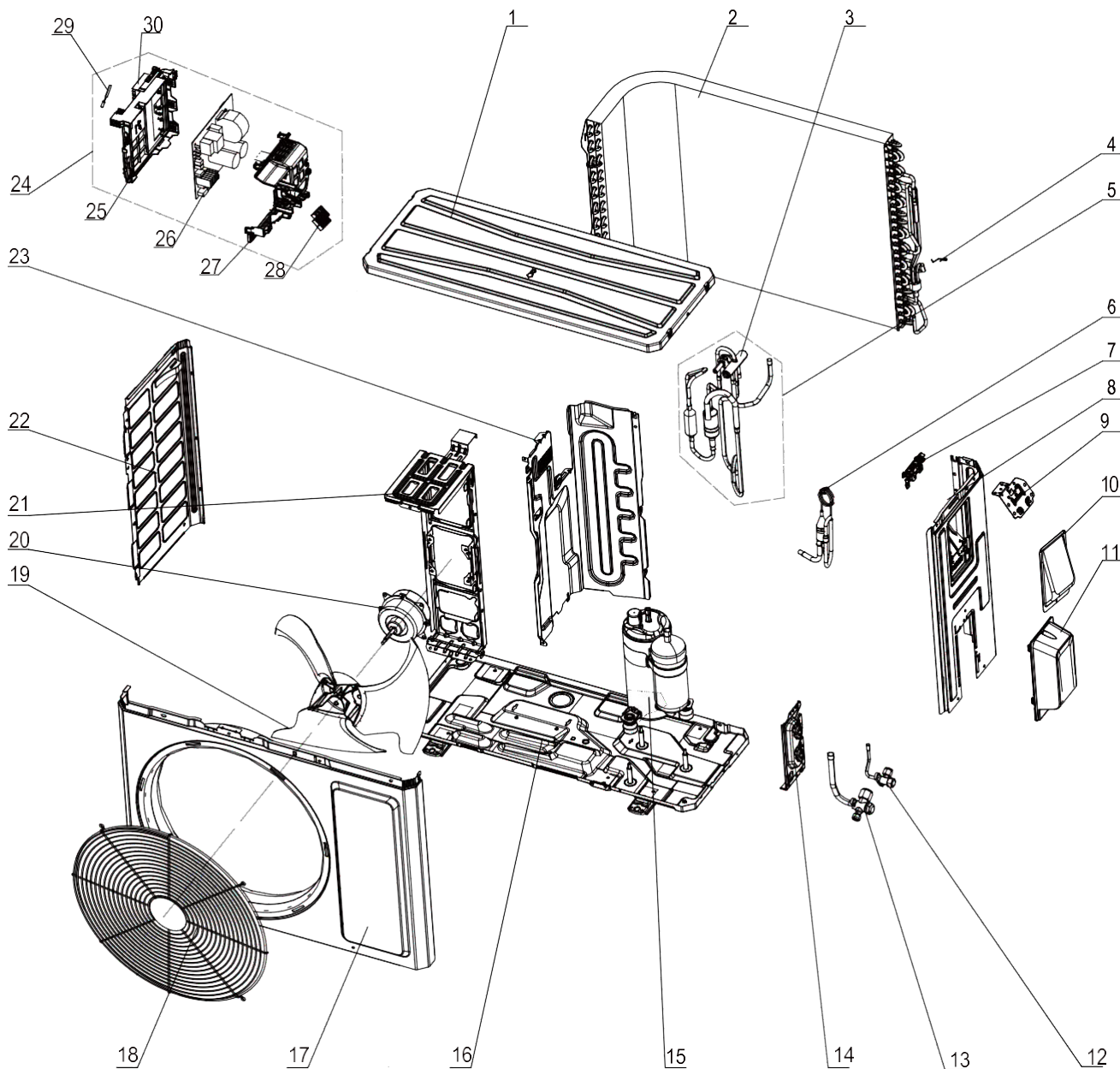
No.	Part Description	Qty.	Part No.
10	Rear Case (Cool Gray)	1	200001060090
8	Helicoid Tongue	1	200006060028
NS	Foam	1	120000060295
NS	Foam	1	120000060296
NS	Sponge 1(Rear case)	1	110000072980
NS	Sponge 3(Rear case)	1	110000072861
7	Air Louver (left)	1	200007060108
23	Air Louver(right)	1	200007060109
22	Stepping Motor	1	1521210712
21	Crank	1	10582070
NS	Axile Bush Sub-Assy	1	10542047
NS	O-Gasket sub of Bearing	1	76512051
11	Ring of Bearing	1	26152022
18	Brushless DC Motor	1	150104060117
13	Cross Flow Fan	1	103001060038
19	Motor Press Plate	1	200020060016
9	Left Axile Bush	1	10512037
NS	Cable Cross Plate	1	02122023P
NS	Cable Cross Plate	1	02122023
NS	Drainage Hose	1	05230014
14	Evaporator Support	1	200025060027
15	Evaporator Assy	1	01100106240501
NS	Evaporator Rt Border Plate	1	012005060441
NS	Temp Sensor Sleaving	1	05212423
NS	Temp Sensor (Support)	1	42020063
NS	Electric Box Assy	1	100002077155
24	Electric Box	1	200013060124
25	Main Board	1	300002063325
NS	Jumper	1	4202021907
NS	Electric Box Support	1	200114060113
30	Display Board	1	300001061316
NS	Detecting Plate	1	300018060403
NS	Membrane	1	600006060154



## 4LIV12HP230V1AH

No.	Parts Description	Qty.	Part No.
27	Terminal Board	1	422000000022
32	Temperature Sensor 1	1	3900031302
NS	Front Case Assy	1	000002060324
4	Front Case (High Gloss)	1	200002060087
NS	Filter Sub-Assy	1	111001060341
NS	Screw Cover	1	200005060030
2	Guide Louver	1	200004060197
3	Axile Bush	1	10542036
1	Front Panel	1	200003060306T
29	Electric Box Cover	1	200082060091
NS	Connecting pipe clamp	1	200017000001
16	Wall Mounting Frame	1	012043000008
34	Remote Controller	1	305001060106
NS	Rear Case (High Gloss)	1	200001060081
NS	Capacitor CBB61S	1	NONE

4LIV18HP230V1AO



The component is only for reference, please refer to the actual product

NO.	Description
1	Top Cover Assy
2	Condenser Assy
3	4-Way Valve
4	Temperature Sensor clamp
5	4-Way Valve Assy
6	Capillary Sub-Assy
7	Wire Clamp
8	Right Side Plate
9	Earthing Plate Sub-Assy
10	Cover of Pass Wire

NO.	Description
11	Valve Cover
12	Cut-off valve 1/4(N)
13	Cut-off valve 1/2(N)
14	Valve Support
15	Compressor and Fittings
16	Chassis Sub-Assy
17	Cabinet
18	Front Grill
19	Axial Flow Fan
20	Brushless DC Motor

NO.	Description
21	Motor Support
22	Left Side Plate
23	Clapboard Assy
24	Electric Box Assy
25	Electric Box
26	Main Board
27	Electric Box Cover
28	Terminal Board
29	Temperature Sensor
30	Radiator

### 4LIV18HP230V1AO

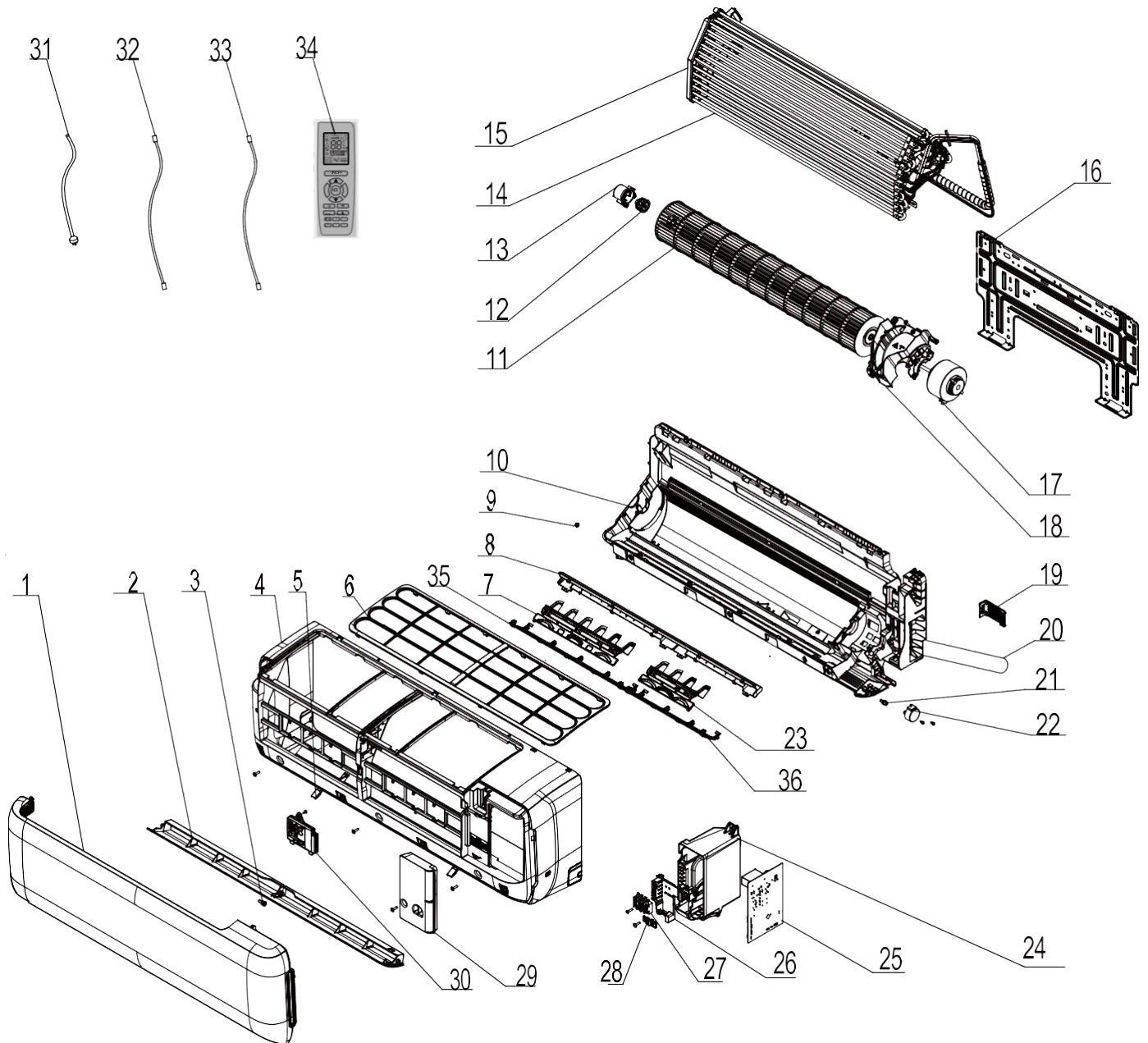
No.	Part Description	Qty.	Part No.
16	Chassis Sub-Assy	1	017000060759P
NS	Electrical Heater (Chassis)	1	7651000423
15	Compressor and Fittings	1	009001060656
NS	Compressor OL (External) 1	1	00183031
NS	Compressor Gasket	3	009012000026
NS	Compressor OL (External) 1	1	00183032
2	Condenser Assy	1	011002061823
NS	Temp Sensor Sleeving	1	05212423
NS	Current Divider	2	03413032
4	Temp Sensor Support	1	42020063
NS	4-Way Valve Assy w/Weight	1	030152060940
5	4-Way Valve Assy	1	030152060719
3	4-Way Valve Only	1	072007060013
NS	Silencer 1	1	035023000009
NS	Silencer 2	1	07243066
12	Cut-off Valve 1/4(N)	1	070001060022
14	Valve Support	1	012044060022P
13	Cut-off Valve 1/2(N)	1	070001060024
6	Capillary Sub-Assy	1	030006061232
NS	Strainer (fork shape)	1	07211103
NS	One Way Valve	1	07130103
NS	Strainer A	1	07210022
NS	Sealing Cap of Joint	1	06640104
23	Clapboard	1	000075060126
NS	Sponge (Condenser)	1	12123091
20	Brushless DC Motor	1	150104060095
19	Axial Flow Fan	1	103002060015
NS	Magnet Coil (4-Way Valve)	1	4300040072
24	Electric Box Assy	1	100002077262
26	Main Board	1	300027062917
29	Temperature Sensor	1	3900030813
28	Terminal Board	1	42200006007501
22	Left Side Plate	1	012055060395P01



## 4LIV18HP230V1AO

No.	Parts Description	Qty.	Part No.
NS	Right Side Plate Assy	1	00008106028902
7	Wire Clamp	1	200015060023
8	Right Side Plate	1	01205606036706P01
NS	Front Panel Assy	1	000003060750
17	Cabinet	1	01202206001002P01
18	Front Grille	1	016004060011
1	Top Cover Assy	1	000097060355
NS	Top Cover	1	012049060107P
NS	Rear Grille	1	016001060082
NS	Sponge (Rear Grille)	1	12204221
NS	Cable Cross Plate	1	01220906002801P
11	Valve Cover	1	200087060004
NS	Drainage hole Cap 1	2	06813401
NS	Drainage hole Cap 2	2	7671301802
NS	Drainage Joint	1	26113009
7	Wire Clamp	1	200015060023
NS	Temp Sensor Support	2	42020063
NS	One Way Valve	1	07130103

4LIV18HP230V1AH



The component picture is only for reference; please refer to the actual product.



NO.	Description
1	Front Panel
2	Guide Louver
3	Axile Bush
4	Front Case
5	Screw Cover
6	Filter Sub-Assy
7	Air Louver (left)
8	Helicoid Tongue
9	Left Axile Bush
10	Rear Case Sub-Assy
11	Cross Flow Fan
12	Ring of Bearing
13	O-Gasket sub-Assy of Bearing
14	Evaporator Assy
15	Evaporator Support
16	Wall Mounting Frame
17	Fan Motor
18	Motor Press Plate

NO.	Description
19	Connecting pipe Clamp
20	Drainage Hose
21	Crank
22	Stepping Motor
23	Air Louver(right)
24	Electric Box Assy
25	Main Board
26	Supporter (Electric Box)
27	Terminal Board
28	Cable Clamp
29	Electric Box Cover
30	Display Board
31	Power Cord
32	Connecting Cable
33	Connecting Cable
34	Remote Controller
35	Rear Grill Sub-Assy 2
36	Rear Grill Sub-Assy 1

Some models may not contain some parts, please refer to the actual product.

### 4LIV18HP230V1AH

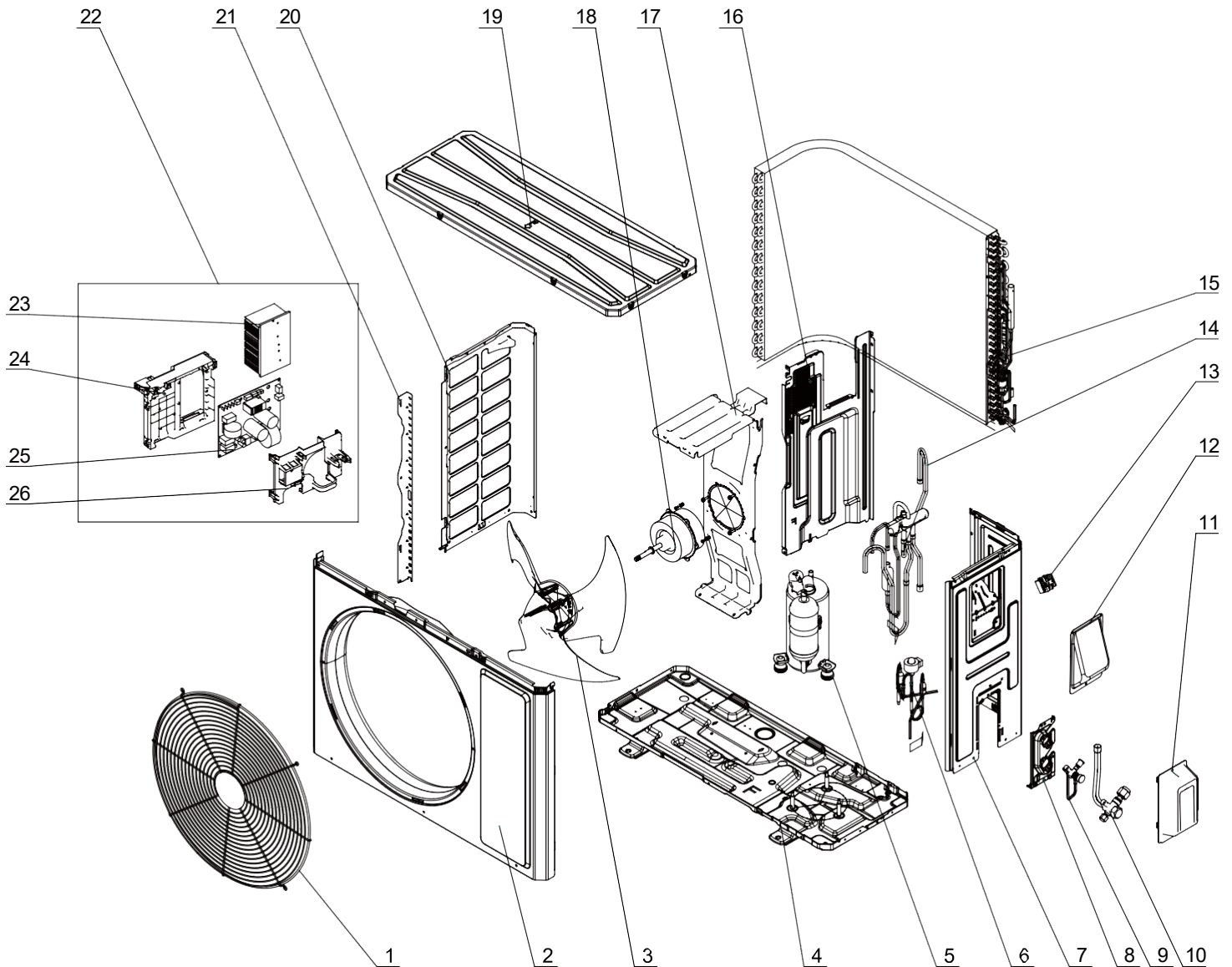
No.	Part Description	Qty.	Part No.
10	Rear Case Sub-Assy 1	1	00037706007901
NS	Rear Case Sub-Assy 2	1	20900506004301
8	Helicoid Tongue	1	200006060029
7	Sweeping Louvers 6 Bl	1	200007060112
23	Sweeping Louvers 4 Bl	1	200007060113
NS	Foam (Water Tray)	1	120000060293
9	Left Axile Bush	1	10512037
21	Crank	1	10582070
22	Stepping Motor	1	1521240212
3	Axile Bush Sub-Assy	1	1054204701
13	O-Gasket sub of Bearing	1	76512051
12	Ring of Bearing	1	26152025
11	Cross Flow Fan	1	103001060034
NS	Motor Holder 1	1	26152057
17	Brushless DC Motor	1	15010406008801
18	Motor Press Plate	1	200020060017
NS	Cable Cross Plate	1	02122023P
NS	Cable Cross Plate	1	02122023
NS	Drainage Hose	1	05230014
14	Evaporator Assy	1	011001062414
NS	Temp Sensor Sleaving	1	05212423
NS	Temp Sensor (Support)	1	42020063
15	Evaporator supporter	1	200025060024
24	Electric Box Assy	1	100002077263
NS	Electric Box	1	200013060122
25	Main Board	1	300002063327
NS	Jumper	1	4202021920
30	Display Board	1	300001061316
NS	Detecting Plate	1	300018060403
NS	Membrane	1	600006060154
26	Supporter	1	200114060112
27	Terminal Board	1	422000000022
NS	Temperature Sensor 1	1	3900031302
NS	Front Case Assy	1	000002060326
4	Front Case (High Gloss)	1	200002060086
6	Filter Sub-Assy	1	111001060338



## 4LIV18HP230V1AH

No.	Parts Description	Qty.	Part No.
5	Screw Cover	1	200005060031
2	Guide Louver	1	200004060196
3	Axile Bush	1	10542036
29	Electric Box Cover	1	200082060089
1	Front Panel	1	200003060305T
19	Connecting pipe clamp	1	200017060004
16	Wall Mounting Frame	1	012043060024
34	Remote Controller	1	305001060106
NS	Rear Case (High Gloss)	1	200001060081
NS	Capacitor CBB61S	1	NONE

4LIV24HP230V1AO



The component is only for reference, please refer to the actual product

NO.	Description
1	Front Grill
2	Front Panel
3	Axial Flow Fan
4	Chassis Sub-Assy
5	Compressor and Fittings
6	Electronic Expansion Valve
7	Right Side Plate
8	Valve Support
9	Cut-off valve 1/4(N)
10	Cut-off valve 5/8(N)
11	Valve Cover
12	Cover of Pass Wire
13	Terminal Board

NO.	Description
14	4-Way Valve Assy
15	Condenser Assy
16	Clapboard Assy
17	Motor Support
18	Motor
19	Top Cover Assy
20	Left Side Plate
21	Condenser Left Border Plate
22	Electric Box Assy
23	Radiator
24	Electric Box
25	Main Board
26	Electric Box Cover

## 4LIV24HP230V1AO

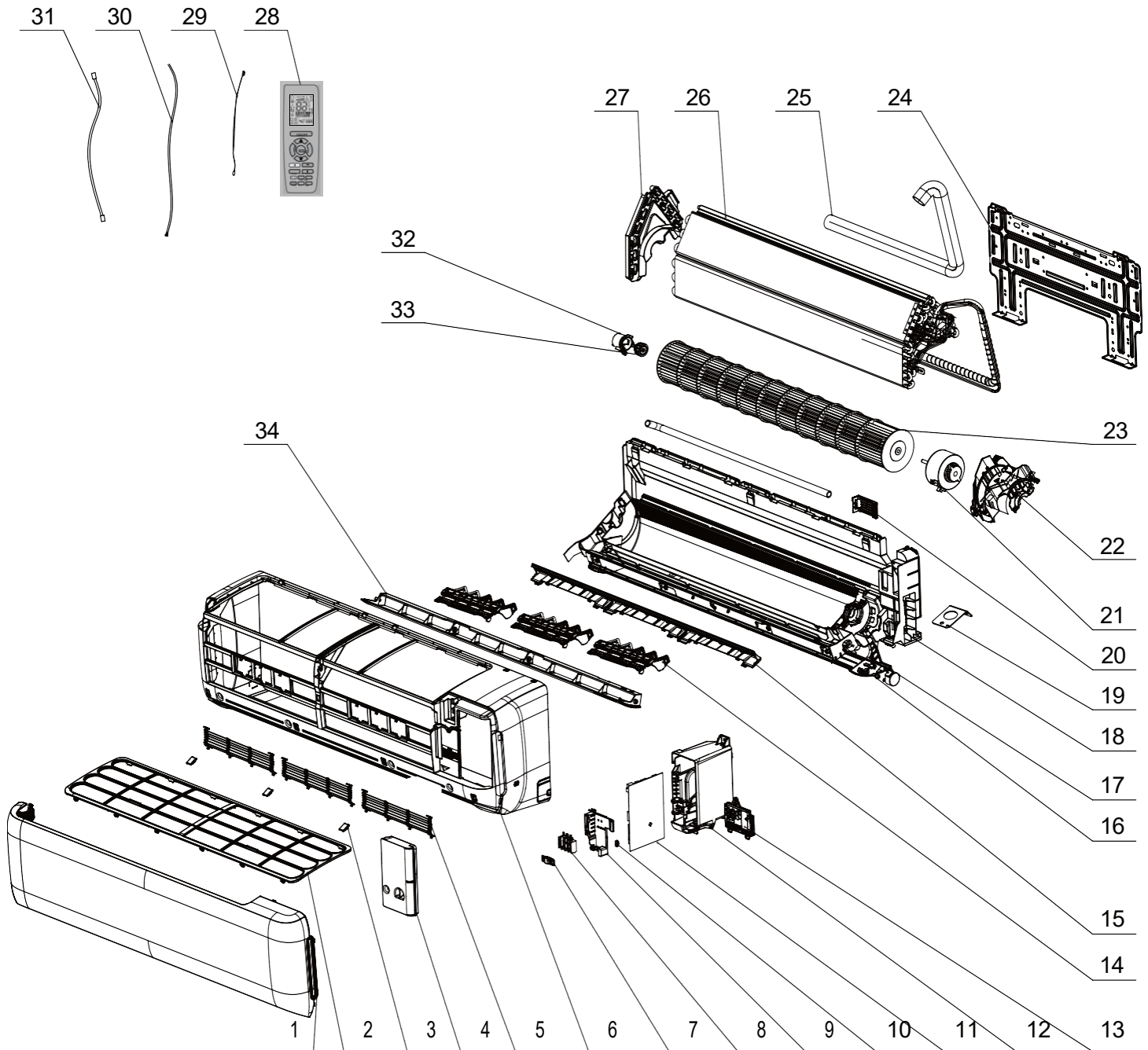
No.	Part Description	Qty.	Part No.
4	Chassis Sub-Assy	1	01700006076102P
NS	Foot	2	012280060008
NS	Electrical Heater	1	765100049
5	Compressor and Fittings	1	009001060617
NS	Compressor Gasket	3	009033060003
15	Condenser Assy	1	011002061698
NS	Temp Sensor Slewing	1	05212423
21	Condenser Left Border Plate	1	012009060219
NS	Pipeline large parts	1	030215000054
NS	EEV Assy	1	030174060200
6	EEV Only	1	43005016
NS	Strainer 1	1	07225088
NS	Strainer 2	1	0721304401
9	Cut-off Valve 1/4(N)	1	070001060027
8	Valve Support	1	012044060032P
10	Cut-off Valve 5/8(N)	1	070001060032
NS	4-Way Valve Assy w/Weight	1	030152060999
14	4-Way Valve Assy	1	030152060998
NS	4-Way Valve Only	1	430004032
NS	Silencer 1	1	07243050
NS	EEV Coil	1	07200206002309
NS	Magnet Coil (4-Way Valve)	1	4300040071
NS	Temp Sensor Support	1	42020063
16	Clapboard	1	012051061303
17	Motor Support	1	012048060145
18	Fan Motor	1	15010106051103
3	Axial Flow Fan	1	10335262
20	Left Side Plate	1	012055060393P
22	Electric Box Assy	1	100002075605
23	Radiator	1	43003406011601
25	Main Board	1	300027062572
NS	Capacitor CBB61	1	3301074723
NS	Relay	1	441001060032



## 4LIV24HP230V1AO

No.	Parts Description	Qty.	Part No.
26	Electric Box Cover	1	20008206006801
13	Terminal Board	1	42200006007501
NS	Temperature Sensor	1	3900030912
NS	Right Side Plate Assy	1	00008106019308
7	Right Side Plate	1	01205606038704P
NS	Ground Lug	1	012002060014
NS	Wire Clamp	1	200015060023
NS	Rear Grille	1	016001060085
NS	Sponge (Rear Grille)	2	12204221
NS	Front Panel Assy	1	000003060543
2	Front Panel	1	01207306161101P
1	Front Grille	1	016004060017
19	Top Cover	1	012049060117P
NS	Handle 1	1	01221006000701P
NS	Handle 2	1	01221006000701
11	Valve Cover	1	200087060005
NS	Drainage hole Cap 1	4	06813401
NS	Drainage hole Cap 2	1	7671301802
NS	Drainage Joint	1	26113009

4LIV24HP230V1AH



The component picture is only for reference; please refer to the actual product.

NO.	Description
1	Front Panel
2	Filter Sub-Assy
3	Screw Cover
4	Electric Box Cover
5	Rear Grill Sub-Assy
6	Front Case
7	Cable Clamp 2
8	Terminal Board
9	Supporter
10	Jumper
11	Main Board
12	Electric Box
13	Display Board
14	Air Louver
15	Helicoid Tongue
16	Crank
17	Stepping Motor

NO.	Description
18	Rear Case
19	Cable Cross Plate
20	Connecting pipe clamp
21	Fan Motor
22	Motor Press Plate
23	Cross Flow Fan
24	Wall Mounting Frame
25	Heat Insulating Hose
26	Evaporator Assy
27	Evaporator Support
28	Remote Controller
29	Temperature Sensor
30	Connecting Cable
31	Connecting Cable
32	O-Gasket sub-Assy of Bearing
33	Ring of Bearing
34	Guide Louver

Some models may not contain some parts, please refer to the actual product.



### 4LIV24HP230V1AH

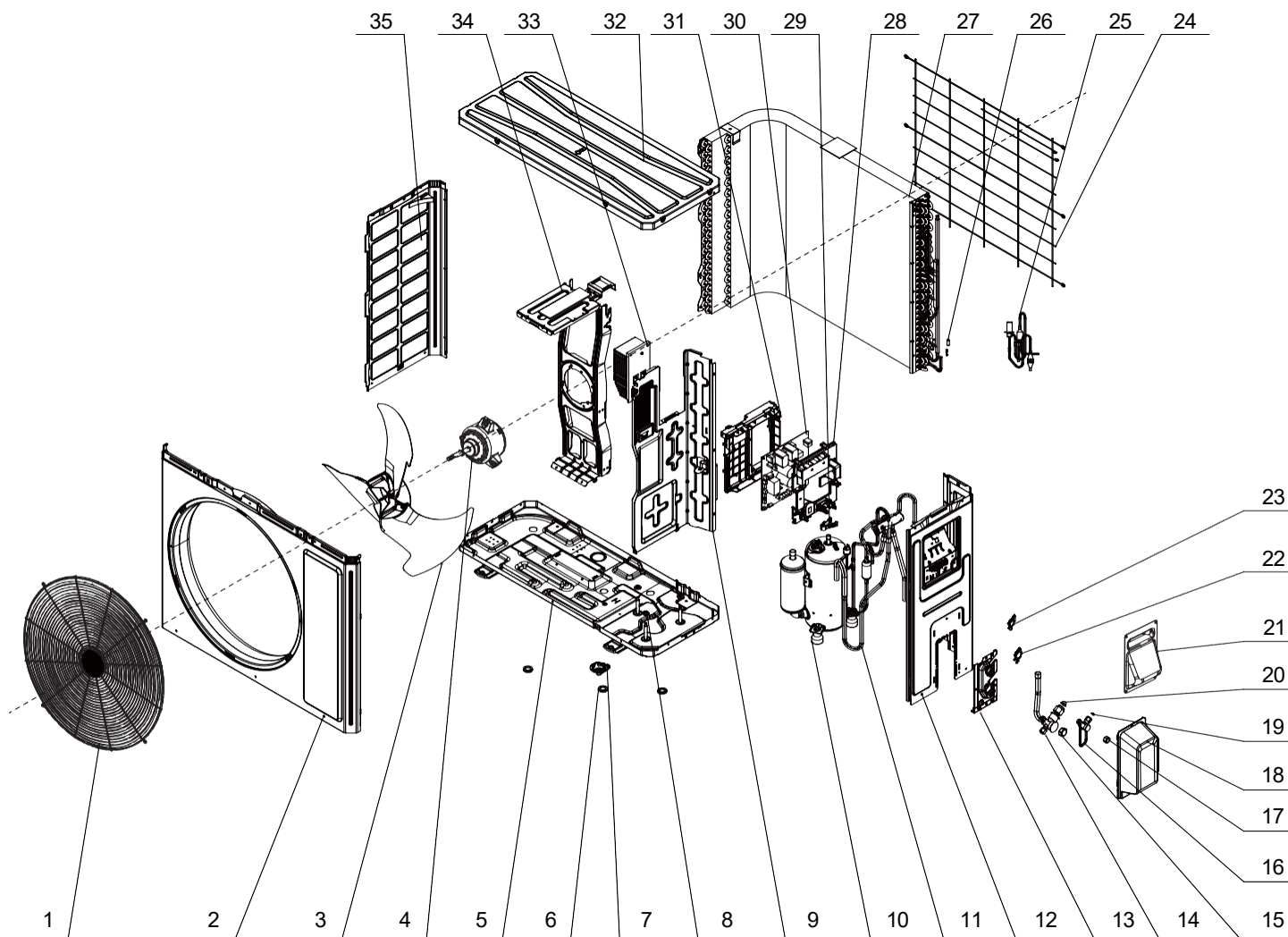
No.	Part Description	Qty.	Part No.
18	Rear Case Assy	1	00000106029202
NS	Rear Case Sub-Assy 1	1	000377060088
NS	Rear Case Sub-Assy 2	1	20900506004501
NS	Foam (Water Tray)	1	120000060289
14	Air Louver	3	200007060102
NS	Axile Bush Sub-Assy	1	1054204701
32	O-Gasket sub of Bearing	1	76512051
33	Ring of Bearing	1	26152025
17	Stepping Motor	1	1521240210
16	Crank	1	10582070
21	Brushless DC Motor	1	15010406008801
23	Cross Flow Fan	1	103001060035
22	Motor Press Plate	1	200020060017
NS	Left Axile Bush	1	10512037
19	Cable Cross Plate	1	02122023P
NS	Cable Cross Plate	1	02122023
NS	Drainage Hose	1	0523001405
26	Evaporator Assy	1	01100106241101
NS	Temp Sensor Sleevng	1	05212423
25	Heat Insulating Hose	1	75088203
27	Evaporator Support(D7)	1	200025060025
NS	Airproof Sealant	0	76012015
NS	Temp Sensor (Support)	1	42020063
NS	Electric Box Assy	1	100002077197
9	Supporter	1	200114060112
10	Jumper	1	4202021924
13	Display Board	1	300001061316
NS	Detecting Plate	1	300018060403
NS	Membrane	1	600006060154
12	Electric Box	1	200013060122
11	Main Board	1	300002063327
8	Terminal Board	1	422000000022
29	Temperature Sensor 1	1	3900031302
5	Rear Grille Sub-Assy	3	209168000018
NS	Front Case Assy	1	000002060329
6	Front Case	1	200002060083



## 4LIV24HP230V1AH

No.	Parts Description	Qty.	Part No.
2	Filter Sub-Assy	1	111001060337
3	Screw Cover	3	200005060031
34	Guide Louver	1	200004060193
NS	Axile Bush	2	10542036
4	Electric Box Cover	1	200082060089
1	Front Panel	1	200003060302T
20	Connecting pipe clamp	1	200017060004
24	Wall Mounting Frame	1	012043060024
28	Remote Controller	1	305001060106
NS	Rear Case (High Gloss)	1	200001060081
NS	Capacitor CBB61S	1	NONE

4LIV30HP230V1AO 4LIV36HP230V1AO



The component picture is only for reference; please refer to the actual product.

NO.	Description
1	Front Grill
2	Cabinet
3	Axial Flow Fan
4	Brushless DC Motor
5	Chassis Sub-Assy
6	Drainage Plug
7	Drainage Connector
8	Cushioned Nut
9	Clap Board Assy
10	Compressor and fittings
11	4-way Valve Assy

NO.	Description
13	Valve Support Sub
14	Cut-off Valve
15	Back Cover Nut
16	Cut-off Valve
17	Back Cover Nut
18	Valve Cover
19	Union Nut
20	Union Nut
21	Handle
22	Support
23	Valve Support Baffle

NO.	Description
25	Electronic Expansion Valve Assy
26	Temperature Sensor
27	Condenser Assy
28	Electric Box Cover
29	Pipe Clamp
30	Main Board
31	Electric box
32	Top Cover-Assy
33	Motherboard radiator
34	Motor Support Sub-Assy
35	Left Side Plate

## 4LIV30HP230V1AO

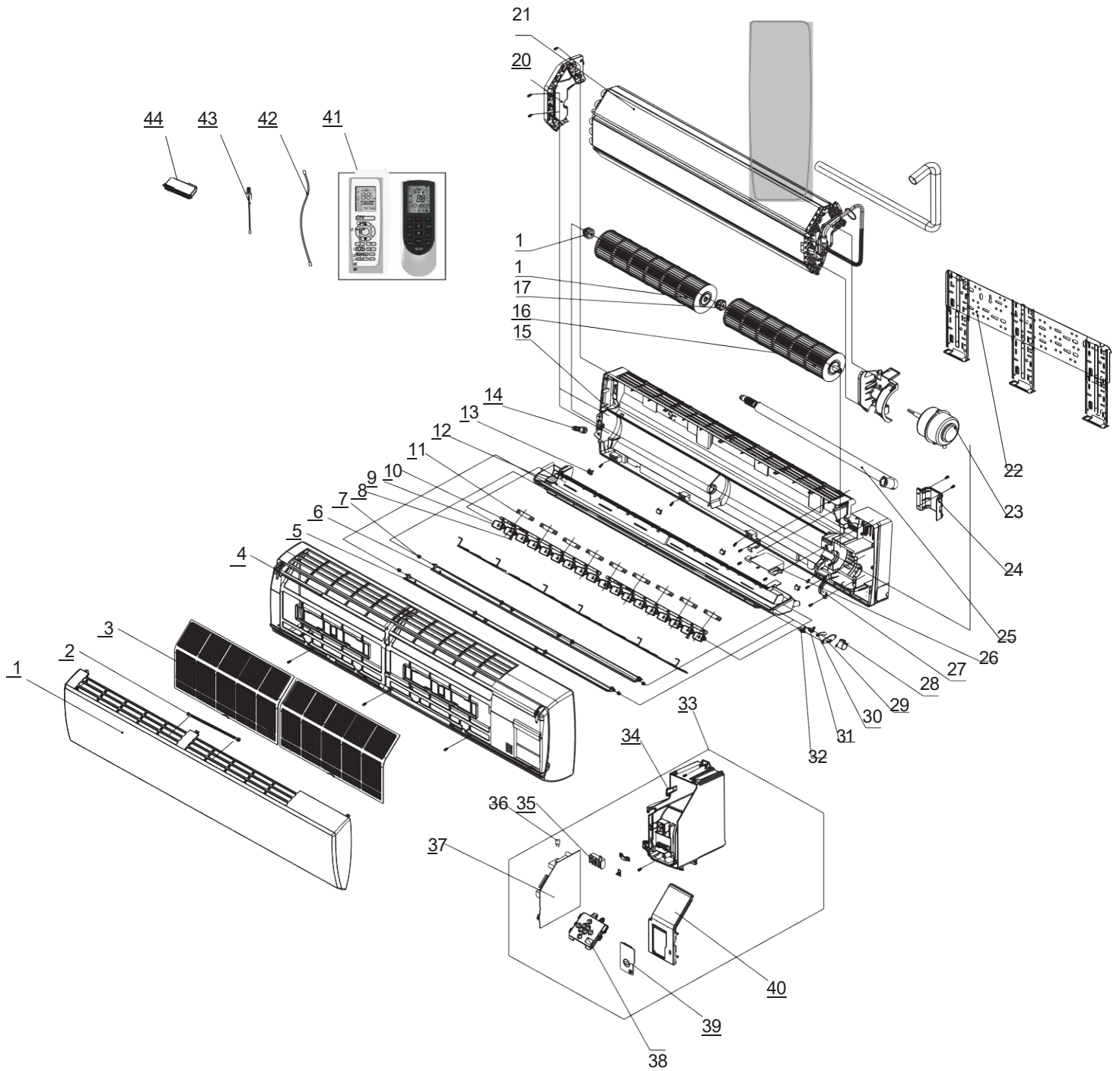
No.	Part Description	Qty.	Part No.
5	Chassis Sub-Assy	1	01700006071103P
NS	Electrical Heater (Chassis)	1	765100049
10	Compressor and Fittings	1	009001060755
NS	Compressor Gasket	3	76710247
27	Condenser Assy	1	011002061925
NS	Sensor Insert	1	05212423
<b>NS</b>	<b>4-Way Valve Assy w/ Weight</b>	<b>1</b>	<b>030152060863</b>
11	4-Way Valve Assy	1	030152060819
NS	Silencer	1	07243050
NS	4-Way Valve	1	4300008201
25	EEV Assy	1	030174060218
NS	Strainer	1	07225088
NS	EEV Only	1	43005016
NS	Strainer	1	0721302608
14	Cut-off Valve 5/8(N)	1	070001060032
16	Cut-off Valve 1/4(N)	1	070001060022
NS	EEV Coil	1	07200206002301
18	Damping Block	1	76010070
NS	Temp Sensor Support	1	42020063
NS	Magnet Coil (4-Way Valve)	1	4300040087
9	Clapboard	1	000075060173
34	Motor Support	1	017012060411
4	Brushless DC Motor	1	150104060094
3	Axial Flow Fan	1	103002060027
35	Left Side Plate	1	012055060389P
31	Electric Box Assy	1	100002075451
30	Main Board	1	300027062529
NS	Relay	1	441001060032
26	Temperature Sensor	1	3900030815
NS	Terminal Board	1	42200006007501
12	Right Side Plate Assy	1	00008106022709
NS	Right Side Plate	1	01205606043702P02
NS	Heat Insulator	1	12128748



## 4LIV30HP230V1AO

No.	Parts Description	Qty.	Part No.
NS	Front Panel Assy	1	000003060738
1	Front Grille	1	016004060018
2	Cabinet	1	01202206001901P
32	Top Cover Sub-Assy	1	000051060149
NS	Top cover	1	012049060137P
21	Handle	1	01221006000601
18	Valve Cover	1	200087060008
24	Rear Grille	1	016001060087
7	Drainage Joint	1	26113009
6	Drainage hole Cap	3	06813401

4LIV30HP230V1AH



The component picture is only for reference; please refer to the actual product.



NO.	Description
1	Front Panel
2	Stand Bar
3	Filter Sub-Assy
4	Front Case Sub-Assy
5	Upper Guide Louver
6	Lower Guide Louver
7	Axile Bush
8	Air Louver 2
9	Air Louver 1
10	Connecting Rod
11	Louver Clamp
12	Water Tray
13	Screw Cover
14	Rubber Plug (Water Tray)
15	Rear Case Assy
16	Cross Flow Fan 1
17	Bearing Holder Sub-Assy
18	Cross Flow Fan 2
19	O-Gasket Sub-Assy of Bearing
20	Left Evaporator Support
21	Evaporator Assy
22	Wall Mounting Frame

NO.	Description
23	Fan Motor
24	Pipe Clamp
25	Drainage Hose
26	Cover Plate
27	Motor Fixed Clip 1
28	Stepping Motor
29	Press Plate (Crank)
30	Crank-guide
31	Upper Crank
32	Lower crank
33	Electric Box Assy
34	Electric Box
35	Terminal Board
36	Jumper
37	Main Board
38	Display Board
39	Electric Box Cover 2
40	Electric Box Cover
41	Remote Controller
42	Connecting Cable
43	Temperature Sensor
44	Detecting Plate

Some models may not contain some parts, please refer to the actual product.

### 4LIV30HP230V1AH

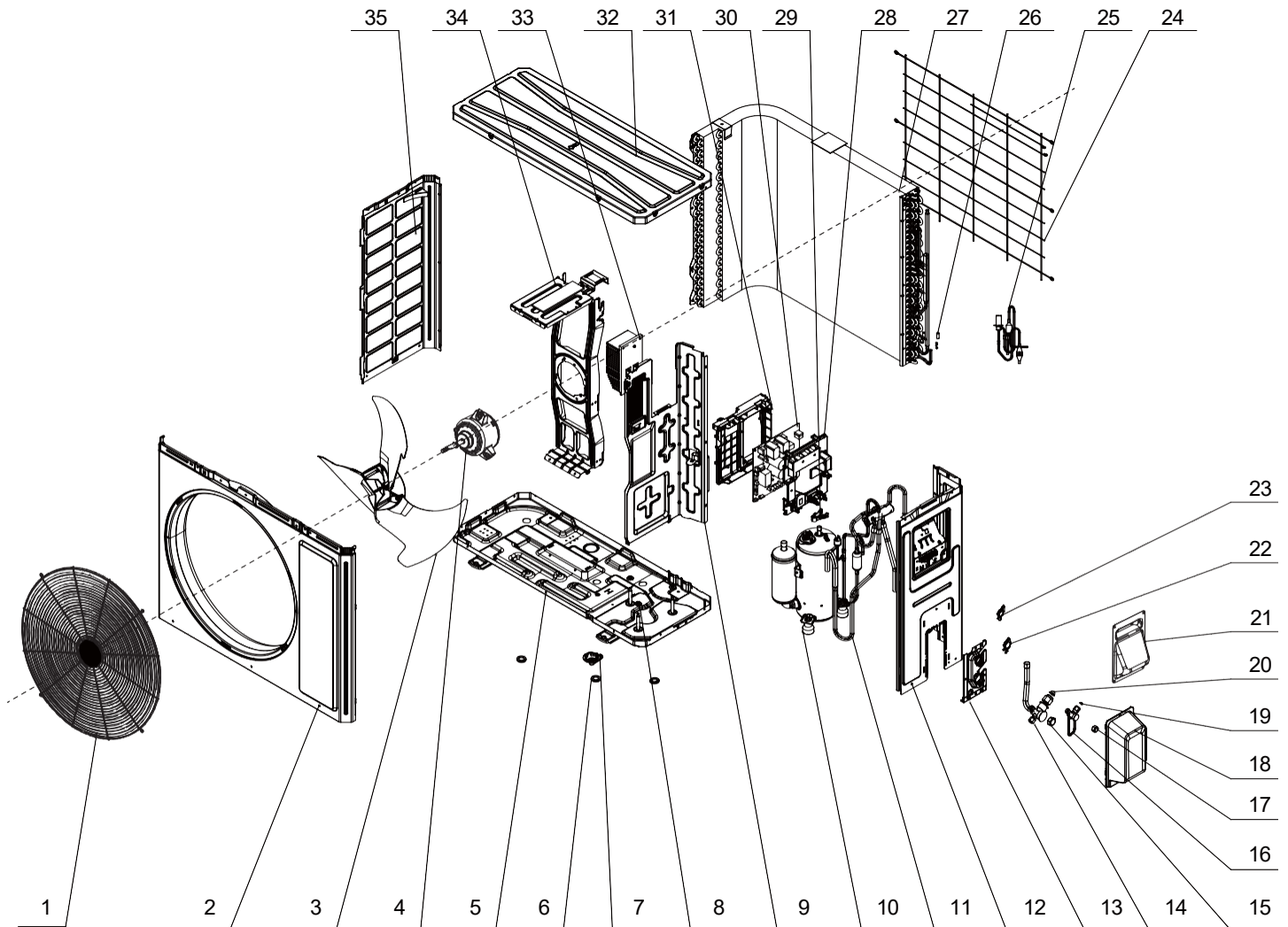
No.	Part Description	Qty.	Part No.
15	Rear Case Assy	1	00000100113
NS	Cable Cross Plate	1	02123035
16	Cross Flow Fan 1	1	10352039
18	Cross Flow Fan 2	1	10352040
19	O-Gasket sub of Bearing	3	76512051
17	Bearing Holder Sub-Assy	1	26152028
NS	Bearing Holder	1	76712017
NS	Fan Bearing	1	76512210
23	Brushless DC Motor	1	150104060096
NS	Motor Fixed Clip 2	1	26112325
27	Motor Fixed Clip 1	1	26112324
21	Evaporator Assy	1	0110010029901
NS	Temp Sensor Slewing	1	05212423
NS	Heat Insulating Hose	1	75088203
20	Left Evaporator Support	1	24212041
26	Cover Plate	1	2012212402
NS	Right Support of Evap	1	2421204201
NS	Temp Sensor (Support)	1	42020063
NS	Water Tray Sub-Assy	1	00007000015
12	Water Tray	1	2018213802
5	Guide Louver (upper)	1	1051216601
7	Axile Bush	0	10542704
NS	Foam 1(Water Tray)	1	12312018
NS	Foam 3(Water Tray)	1	12312020
NS	Sweeping Louver 1	1	1051216802
NS	Sweeping Louver 2	1	1051216902
NS	Rear Clamp	1	26112158
10	Connecting Rod	1	10582086
31	Upper Crank	1	10562004
32	Lower crank	1	10562005
30	Crank-guide	1	10582041
29	Press Plate (Crank)	1	26112070
28	Stepping Motor	1	1521210701
25	Drainage Hose	3	0523001404
NS	Rear Grill 1	1	01472022
NS	Grill 2	1	01472023



### 4LIV30HP230V1AH

No	Parts Description	Qty.	Part No.
33	Electric Box Assy	1	100002075452
37	Main Board	3	300002062589
43	Temperature Sensor 1	1	390000453
NS	Temperature Sensor 2	2	390000592
38	Display Board	1	30565277
NS	Membrane	1	63062088
36	Jumper	1	4202021909
NS	Wire Clamp	1	71010103
35	Terminal Board	1	422000000022
44	Detecting Plate	1	300018060399
4	Front Case Sub-Assy	1	20900700005
NS	Front Case	1	2002215801
3	Filter Sub-Assy	1	1112210602
13	Screw Cover	1	2425200506
6	Lower Guide Louver	1	1051216701
1	Front Panel (Gree Logo)	1	20000300022T
2	Stand Bar	1	2421212001
NS	Rear Clamp	1	26112071
22	Wall Mounting Frame 1	1	01252398
NS	Wall Mounting Frame 2	1	01252215
41	Remote Controller	1	305001060107
NS	Rear Case (High Gloss)	1	200001060061
NS	Expansion pipe Sub-Assy	1	209172000004

4LIV30HP230V1AO 4LIV36HP230V1AO



The component picture is only for reference; please refer to the actual product.

NO.	Description
1	Front Grill
2	Cabinet
3	Axial Flow Fan
4	Brushless DC Motor
5	Chassis Sub-Assy
6	Drainage Plug
7	Drainage Connector
8	Cushioned Nut
9	Clap Board Assy
10	Compressor and fittings
11	4-way Valve Assy
12	Right Side Plate Assy

NO.	Description
13	Valve Support Sub
14	Cut-off Valve
15	Back Cover Nut
16	Cut-off Valve
17	Back Cover Nut
18	Valve Cover
19	Union Nut
20	Union Nut
21	Handle
22	Support
23	Valve Support Baffle
24	Rear Grill

NO.	Description
25	Electronic Expansion Valve Assy
26	Temperature Sensor
27	Condenser Assy
28	Electric Box Cover
29	Pipe Clamp
30	Main Board
31	Electric box
32	Top Cover-Assy
33	Motherboard radiator
34	Motor Support Sub-Assy
35	Left Side Plate

### 4LIV36HP230V1AO

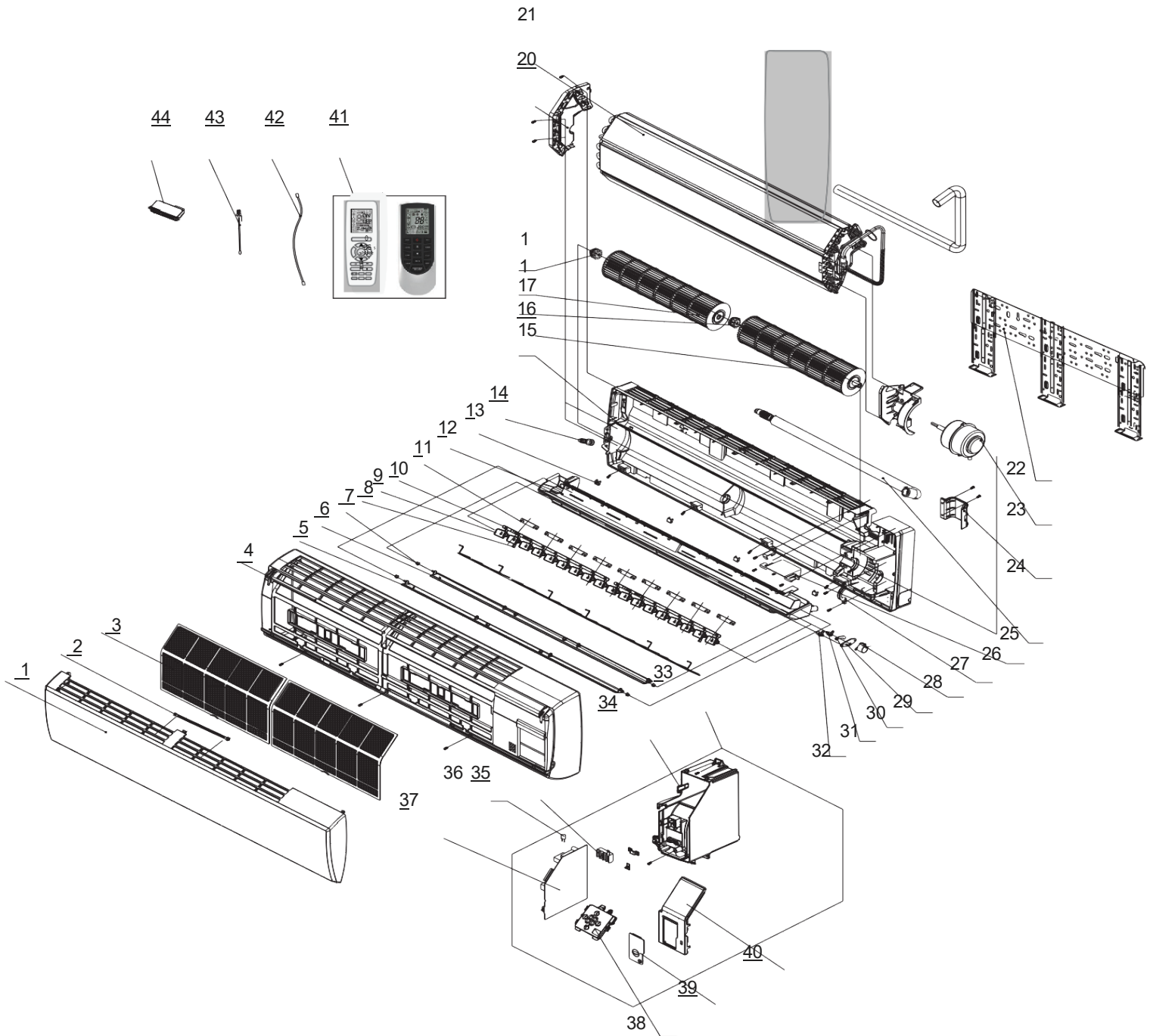
No.	Part Description	Qty.	Part No.
5	Chassis Sub-Assy	1	01700006071117P
NS	Electrical Heater (Chassis)	1	765100049
10	Compressor and Fittings	1	009001060690
NS	Compressor Gasket	3	009012000025
NS	Soundproofing Cotton	1	7501580201
27	Condenser Assy	1	011002061909
NS	Sensor Insert	1	05212423
NS	Temp Sensor Support	2	42020063
NS	4-Way Valve Assy w/Weight	1	030152060838
11	4-Way Valve Assy	1	030152060792
NS	Silencer 1	1	07243050
NS	4-Way Valve	1	4300008201
25	EEV Assy	1	030174060218
NS	Strainer	1	07225088
NS	EEV Only	1	43005016
NS	Strainer	1	0721302608
14	Cut-off valve 5/8(N)	1	070001060032
16	Cut-off valve 1/4(N)	1	070001060022
NS	EEV Coil	1	07200206002301
NS	Magnetic Coil 4-Way VI	1	4300040072
9	Clapboard	1	000075060173
34	Motor Support	1	017012060411
4	Brushless DC Motor	1	150104060094
3	Axial Flow Fan	1	103002060027
35	Left Side Plate	1	012055060389P
31	Electric Box Assy	1	100002076587
30	Main Board	1	300027062716
NS	Relay	1	441001060032
26	Temperature Sensor	1	3900030815
NS	Terminal Board	1	42200006007501
12	Right Side Plate Assy	1	00008106022709
NS	Right Side Plate	1	01205606043702P02
NS	Front Panel Assy	1	000003060738
1	Front Grille	1	016004060018
2	Cabinet	1	01202206001901P
32	Top Cover Sub-Assy	1	000051060149
NS	Top cover	1	012049060137P



## 4LIV36HP230V1AO

No.	Parts Description	Qty.	Part No.
21	Handle	1	01221006000601
18	Valve Cover	1	200087060008
24	Rear Grille	1	016001060087
7	Drainage Joint	1	26113009
6	Drainage hole Cap	3	06813401

4LIV36HP230V1AH



The component picture is only for reference; please refer to the actual product.



NO.	Description
1	Front Panel
2	Stand Bar
3	Filter Sub-Assy
4	Front Case Sub-Assy
5	Upper Guide Louver
6	Lower Guide Louver
7	Axile Bush
8	Air Louver 2
9	Air Louver 1
10	Connecting Rod
11	Louver Clamp
12	Water Tray
13	Screw Cover
14	Rubber Plug (Water Tray)
15	Rear Case Assy
16	Cross Flow Fan 1
17	Bearing Holder Sub-Assy
18	Cross Flow Fan 2
19	O-Gasket Sub-Assy of Bearing
20	Left Evaporator Support
21	Evaporator Assy
22	Wall Mounting Frame

NO.	Description
23	Fan Motor
24	Pipe Clamp
25	Drainage Hose
26	Cover Plate
27	Motor Fixed Clip 1
28	Stepping Motor
29	Press Plate (Crank)
30	Crank-guide
31	Upper Crank
32	Lower crank
33	Electric Box Assy
34	Electric Box
35	Terminal Board
36	Jumper
37	Main Board
38	Display Board
39	Electric Box Cover 2
40	Electric Box Cover
41	Remote Controller
42	Connecting Cable
43	Temperature Sensor
44	Detecting Plate

Some models may not contain some parts, please refer to the actual product.

No.	Part Description	Qty.	Part No.
15	Rear Case Assy	1	00000100113
NS	Cable Cross Plate	1	02123035
16	Cross Flow Fan 1	1	10352039
18	Cross Flow Fan 2	1	10352040
19	O-Gasket sub of Bearing	3	76512051
17	Bearing Holder Sub-Assy	1	26152028
NS	Bearing Holder	1	76712017
NS	Fan Bearing	1	76512210
23	Brushless DC Motor	1	150104060096
NS	Motor Fixed Clip 2	1	26112325
NS	Motor Fixed Clip 1	1	26112324
21	Evaporator Assy	1	011001060880
NS	Temp Sensor Sleeving	1	05212423
NS	Heat Insulating Hose	1	75088203
20	Left Evaporator Support	1	24212041
26	Cover Plate	1	2012212402
NS	Right Support of Evaporator	1	2421204201
NS	Temp Sensor (Support)	1	42020063
NS	Water Tray Sub-Assy	1	00007000015
12	Water Tray	1	2018213802
5	Guide Louver (upper)	1	1051216601
7	Axile Bush	0	10542704
NS	Foam 1(Water Tray)	1	12312018
NS	Foam 3(Water Tray)	1	12312020
9	Air Louver 1	1	1051216802
8	Air Louver 2	1	1051216902
24	Rear Clamp	1	26112158
NS	Connecting Rod	1	10582086
31	Upper Crank	1	10562004
32	Lower crank	1	10562005
30	Crank-guide	1	10582041
29	Press Plate (Crank)	1	26112070
28	Stepping Motor	1	1521210701
25	Drainage Hose	3	0523001404

## 4LIV36HP230V1AH

No.	Parts Description	Qty.	Part No.
NS	Rear Grille 1	1	01472022
NS	Grille 2	1	01472023
33	Electric Box Assy	1	100002075452
37	Main Board	3	300002062589
43	Temperature Sensor 1	1	390000453
NS	Temperature Sensor 2	2	390000592
38	Display Board	1	30565277
NS	Membrane	1	63062088
36	Jumper	1	4202021909
NS	Wire Clamp	1	71010103
35	Terminal Board	1	422000000022
44	Detecting Plate	1	300018060399
4	Front Case Sub-Assy	1	20900700005
NS	Front Case	1	2002215801
3	Filter Sub-Assy	1	1112210602
13	Screw Cover	1	2425200506
6	Lower Guide Louver	1	1051216701
1	Front Panel (Gree Logo)	1	20000300022T
2	Stand Bar	1	2421212001
NS	Rear Clamp	1	26112071
22	Wall Mounting Frame	1	01252398
NS	Wall Mounting Frame 2	1	01252215
41	Remote Controller	1	305001060107
NS	Rear Case (High Gloss)	1	200001060061
NS	Expansion pipe Sub-Assy	1	209172000004