




SUBMITTAL DATA

GMV-ND12T/E-T(U) for use with VRF Outdoor Unit
12000 BTU/H 360 Compact Ceiling Cassette

Job Name	Location	Date
Purchaser	Engineer	
Submitted to	For	
Unit Designation	Schedule No.	
		
YAP1F	GMV-ND12T/E-T(U)	XK46 (Optional)

GENERAL FEATURES

- 360° Air Supply
- Independent Swing Control
- New Air Duct and Blade Design for Low Noise
- DC Quiet Drainage Pump
- Wireless Remote with LCD Display
- Wired Controller Options
- Based on Outdoor Unit Performance
- Coil (Indoor and Outdoor) Copper Tube / Aluminum Fin
- Blue Colored Fin - 500 Hrs Salt Spray Tested

SPECIFICATIONS, FEATURES & FUNCTION SUMMARY

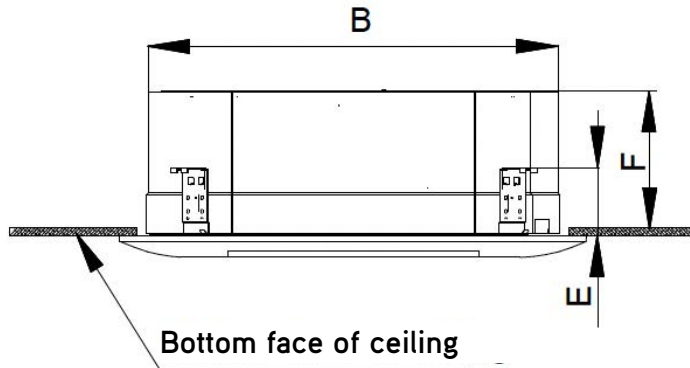
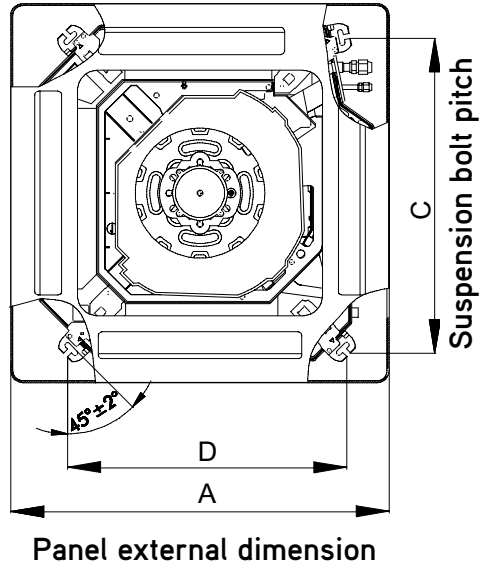
SPECIFICATIONS		GMV-ND12T/E-T(U)		FEATURES & FUNCTIONS SUMMARY		GMV-ND12T/E-T(U)		
System Type		HEAT PUMP						
SYSTEM PERFORMANCE				SYSTEM FEATURES				
Cooling	Nominal	Btu/h	12000	Wired Controller Interface	Yes			
	Capacity @95°F	Btu/h		WiFi Included	No			
Heating	Nominal	Btu/h	13500	NEW! Easy Service Access	Yes			
	Capacity @5°F	Btu/h		Indoor Fan Type	Centrifugal			
	Capacity @17°F	Btu/h		Multi Fan Speeds	3 Speeds			
	Capacity @47°F	W		Indoor Unit Display	No			
SEER2				Auxiliary Electrical Heater	No			
EER2				Ventilation (Outdoor Air)	No			
HSPF2				REMOTE CONTROLLER FUNCTIONS				
COP @5°F	System Performance Based on the Connected Outdoor Unit Performance			Auto Mode	Yes			
COP @47°F				Auto Fan	Yes			
Cooling Temperature Range				°F	Auto Swing (Horizontal Auto Swing)	No		
Heating Temperature Range				°F	Auto Swing - 180° (Vertical Auto Swing)	Yes		
Refrigerant Type				R410A		Clock	Yes	
INDOOR UNIT		GMV-ND12T/E-T(U)		Dry Mode	Yes			
Air flow (Min-Max)	CFM	280 - 365		Dry Anti-Mildew (X-Fan) Mode	Yes			
Sound Pressure Level (Min - Max)	dB(A)	35 - 39		Energy Saving Mode	Yes			
Condensate Drain Size (OD)	in	1		Dirty Filter Alert	No			
External Dimensions (WxHxD)	in	22-7/16 x 10-7/16 x 22-7/16		Fan Speed Control	Yes			
Package Dimension (W x H x D)	in	27-1/2 x 11-5/8 x 25-11/16		I Feel Function	Yes			
Net Weight	lbs	38.6		Privacy Lock	Yes			
Gross Weight	lbs	49.6		Quiet Mode	Yes			
CASSETTE GRILLE (REQUIRED)		TF05		Room Temperature Display	No			
Grille Dimension (W x H x D)	in	24-3/8 x 1-7/8 x 24-3/8		Sleep Mode	Yes			
Package Dimension (W x H x D)	in	27-5/8 x 5 x 27-5/8		3 Sleep Mode Options	Yes			
Weight (Net / Gross)	lbs	6.6 / 10		Timer Mode	Yes			
REFRIGERANT PIPING				Turbo Mode	Yes			
Line Set Sized by the Indoor Unit (Liquid - Gas)	in	1/4 - 1/2		Display On/Off Control	Yes			
ELECTRICAL				Freeze Guard Mode	Yes			
Power Supply	208-230V / 1Ph / 60Hz (Powered by the Outdoor Unit)			Power Failure Mode	Yes			
MCA	A	0.8						
MOCP	A	15						

DIMENSIONS & CLEARANCES

INDOOR UNIT

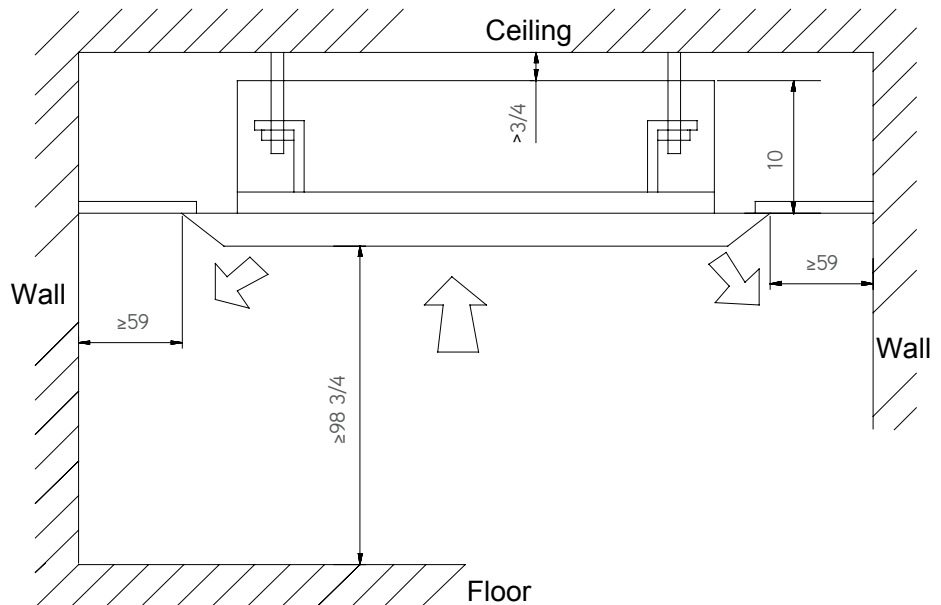
Unit: inch

GMV-ND12T/E-T(U)	
DIMENSIONS	
A	26-3/8
B	23-1/2
C	23-5/16
D	22-1/2
E	5-11/16
F	9-1/2



INDOOR UNIT

Minimum clearance



Specifications are subject to change without notice. Manufacturer reserves the right to discontinue or modify specifications or designs without notice or without incurring obligations. All Rights reserved.