

## SUBMITTAL DATA

GMV-ND24T/C-T(U) for use with VRF Outdoor Unit  
24000 BTU/H One Way Cassette Unit

Job Name	Location	Date
Purchaser	Engineer	
Submitted to	For	
Unit Designation	Schedule No.	

 <p>YAP1F</p>	 <p>GMV-ND24T/C-T(U)</p>	 <p>XK46 (Optional)</p>
--	---	--

### GENERAL FEATURES

- 360° Air Supply
- Independent Swing Control
- Ultra-low noise operation
- DC Quiet Drainage Pump
- Wireless Remote with LCD Display
- Wired Controller Options
- Based on Outdoor Unit Performance
- Coil (Indoor and Outdoor) Copper Tube / Aluminum Fin
- Blue Colored Fin - 500 Hrs Salt Spray Tested

## SPECIFICATIONS, FEATURES & FUNCTION SUMMARY

SPECIFICATIONS	GMV-ND24T/C-T(U)		FEATURES & FUNCTIONS SUMMARY	GMV-ND24T/C-T(U)
System Type	HEAT PUMP			
<b>SYSTEM PERFORMANCE</b>				
Cooling	Nominal	Btu/h	24000	
	Capacity @95°F	Btu/h		
	Nominal	Btu/h	27000	
Heating	Capacity @5°F	Btu/h		
	Capacity @17°F	Btu/h		
	Capacity @47°F	W		
SEER2				
EER2				
HSPF2				
COP @5°F				
COP @47°F				
Cooling Temperature Range	°F			
Heating Temperature Range	°F			
Refrigerant Type	R410A			
<b>INDOOR UNIT GMV-ND24T/C-T(U)</b>				
Air flow (Min-Max)	CFM	500 - 675		
Sound Pressure Level (Min - Max)	dB(A)	31 - 37		
Condensate Drain Size (OD)	in	1		
Dehumidification	pt/hr			
External Dimensions (WxHxD)	in	33-1/8 x 9-1/2 x 33-1/8		
Package Dimension (W x H x D)	in	37-7/8 x 12-3/4 x 37-7/8		
Net Weight	lbs	94		
Gross Weight	lbs	108		
<b>CASSETTE GRILLE (REQUIRED) TF06</b>				
Grille Dimension (W x H x D)	in	37-3/8 x 2-1/2 x 37-3/8		
Package Dimension (W x H x D)	in	40-7/8 x 4-3/8 x 40-5/8		
Weight (Net / Gross)	lbs	13 / 21		
<b>REFRIGERANT PIPING</b>				
Line Set Sized by the Indoor Unit (Liquid - Gas)	in	3/8 - 5/8		
<b>ELECTRICAL</b>				
Power Supply	208-230V / 1Ph / 60Hz (Powered by the Outdoor Unit)			
MCA	A	1.0		
MOCP	A	15		

System Performance Based on the Connected Outdoor Unit Performance

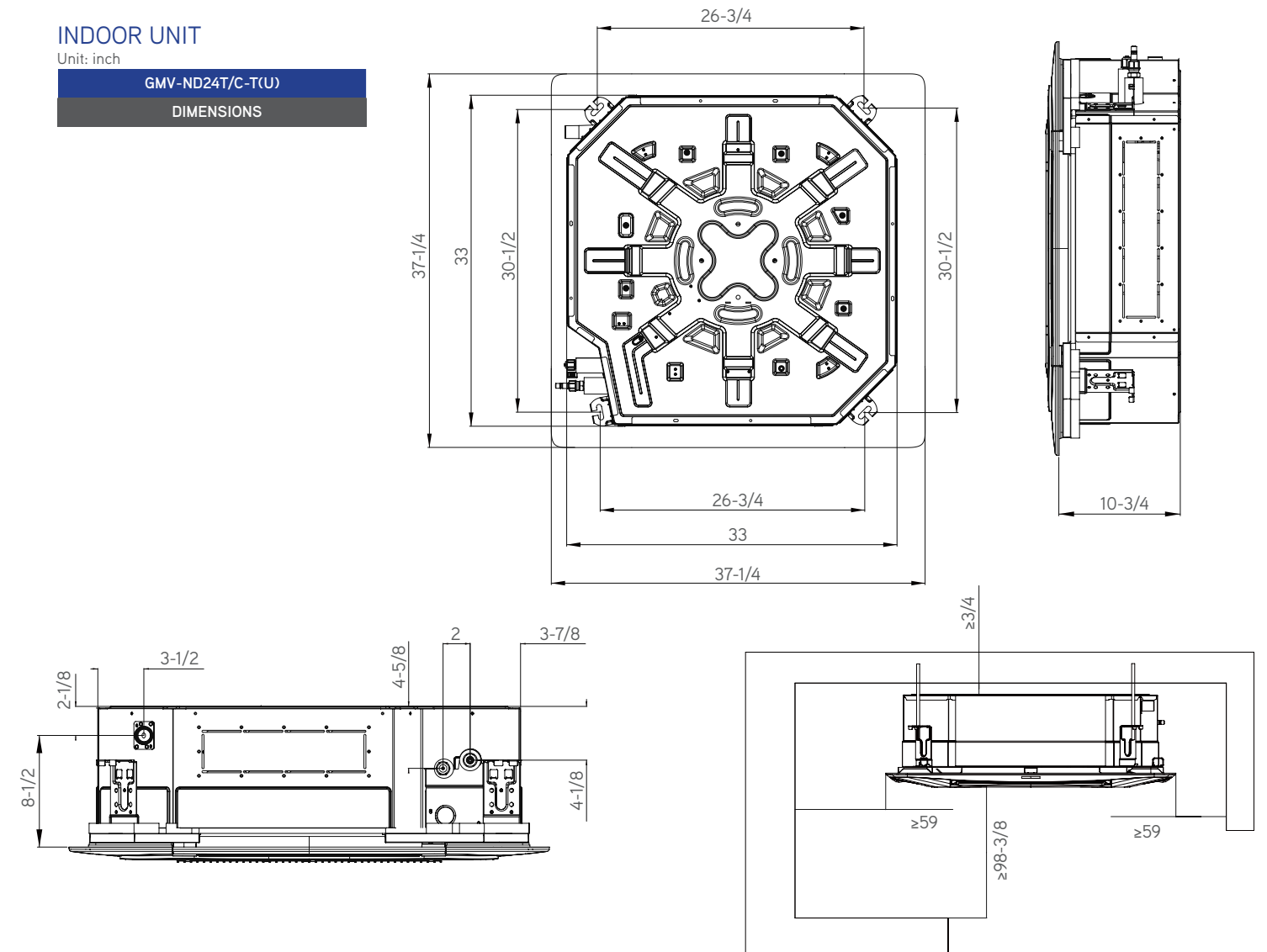
## DIMENSIONS & CLEARANCES

### INDOOR UNIT

Unit: inch

#### GMV-ND24T/C-T(U)

#### DIMENSIONS



### INDOOR UNIT

#### Minimum clearance

