

# GMV6

## Ultra Heat GMV6 Mini 36K

Item	Unit	Specification
Model	—	GMV-V36WL/C-T(U)
<b>Performance</b>		
Rated Cooling Capacity	Btu/h	36000
Rated Heating Capacity	Btu/h	36000
Sound Pressure Level	dB(A)	50
Operating Temperature Range	Cooling (Outdoor) °C/°F	-18°C(0°F)~54°C(129°F)
	Heating (Outdoor) °C/°F	-30°C(-22°F)~27°C(81°F)
<b>AHRI Ratings(Ducted/Non-Ducted)</b>		
EER2	Btu/h.W	11.5/13.0
COP	W/W	2.2/2.4
SEER2	-	18.5/23.0
HSPF2	-	8.7/9.0
<b>Electrical Data</b>		
Power Supply	V/Ph/Hz	208~230/1/60
Maximum Overcurrent Protection (MOP)	A	35
Minimum Circuit Amps (MCA)	A	33.8
<b>Fan</b>		
Type x Quantity	—	Axial-flow
Air Flow Volume	CFM	3531
Fan Motor Power Output	W	120
<b>Compressor</b>		
Compressor Type x Quantity	—	Inverter Rotary
Compressor Refrigerant Oil Type	—	FW68L (FW68DA)
Compressor Refrigerant Oil Charge Volume	L/Gal	1.5
<b>Refrigerant Piping</b>		
Connection Pipe	Gas(mm/inch)	Φ15.9/ 5/8
	Liquid(mm/inch)	Φ9.52/3/8
Max. Equivalent Connection Pipe Length	m/ft	60/196 7/8
Refrigerant Charge	kg/oz	4/141.12
Refrigerant	—	R410A
<b>Dimension/Weight</b>		
Dimensions (H×W×D)	mm/inch	1345×900×340 53×35-3/8×13-3/8
Net Weight	kg/lbs	113/250
<b>Other</b>		
Indoor Unit	Total Capacity (%)	50%~135%
	Max Connectable Quantity	7
Certification	-	AHRI/ETL/NEEP
Condenser Fin Color	-	Golden



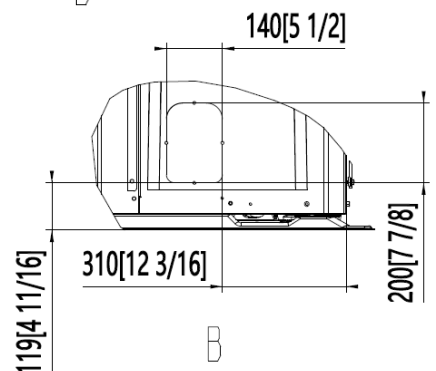
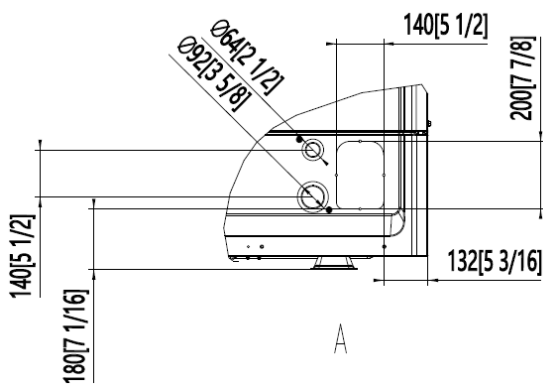
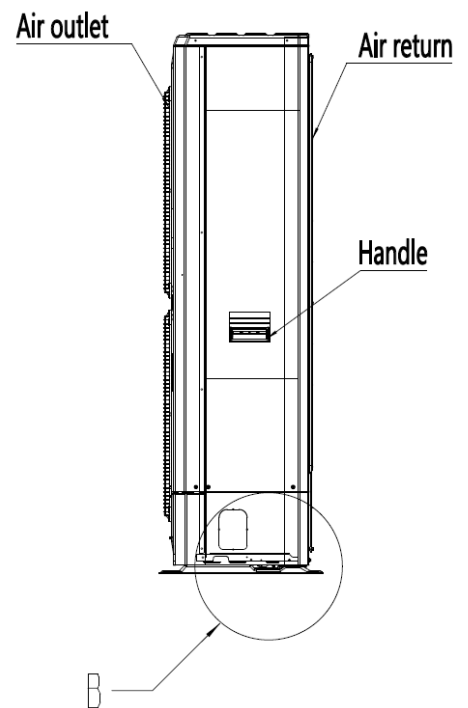
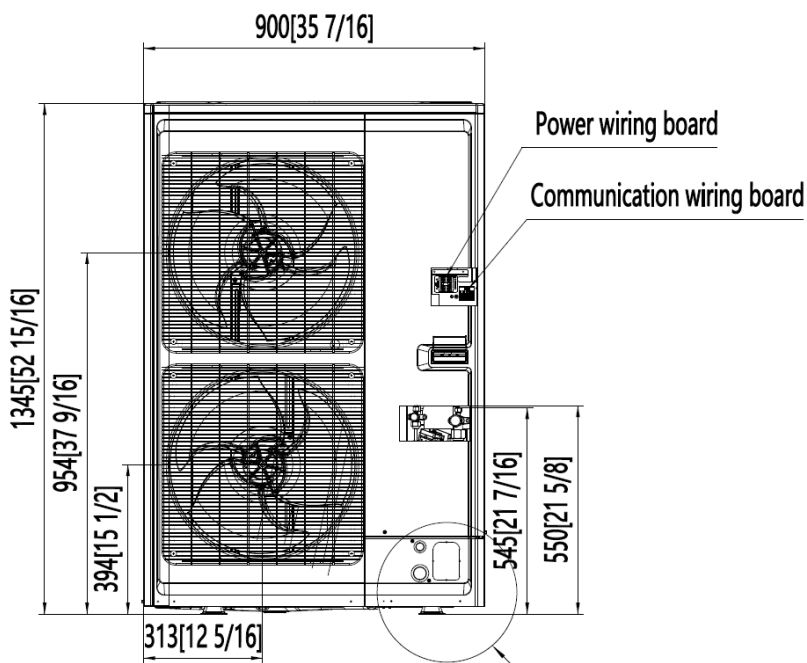
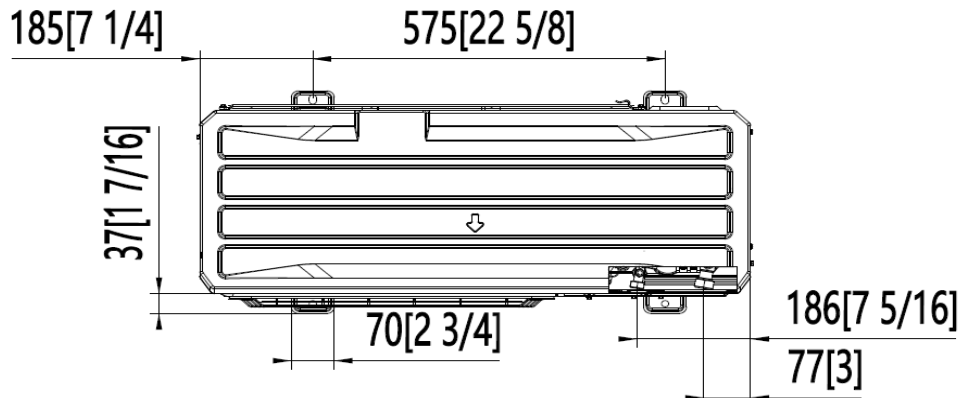
Job Name:

Schedule Reference:

Date:

Specification are subject to change without notice.

### Outline and Physical Dimensions of GMV-V36WL/C-T(U)



Unit outline dimension: mm(inch)

### GREE ELECTRIC APPLIANCES, INC. OF ZHUHAI

Add: West Jinji Rd., Qianshan, Zhuhai, Guangdong, China, 519070

Tel: (+86-756) 8522218 Fax: (+86-756)8669426 E-mail: gree@gree.com.cn www.gree.com