



Outdoor Unit

MODELS:

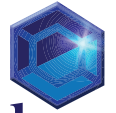
SAP09HP230V1AO
SAP12HP230V1AO
SAP18HP230V1AO
SAP24HP230V1AO

Indoor Unit

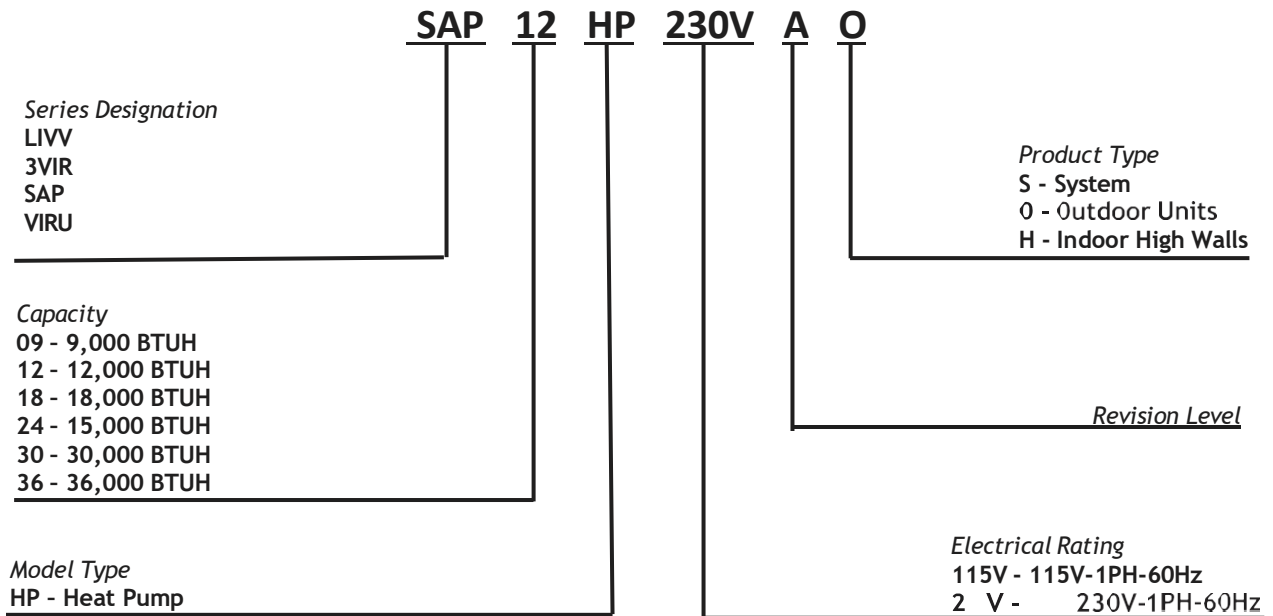
MODELS:

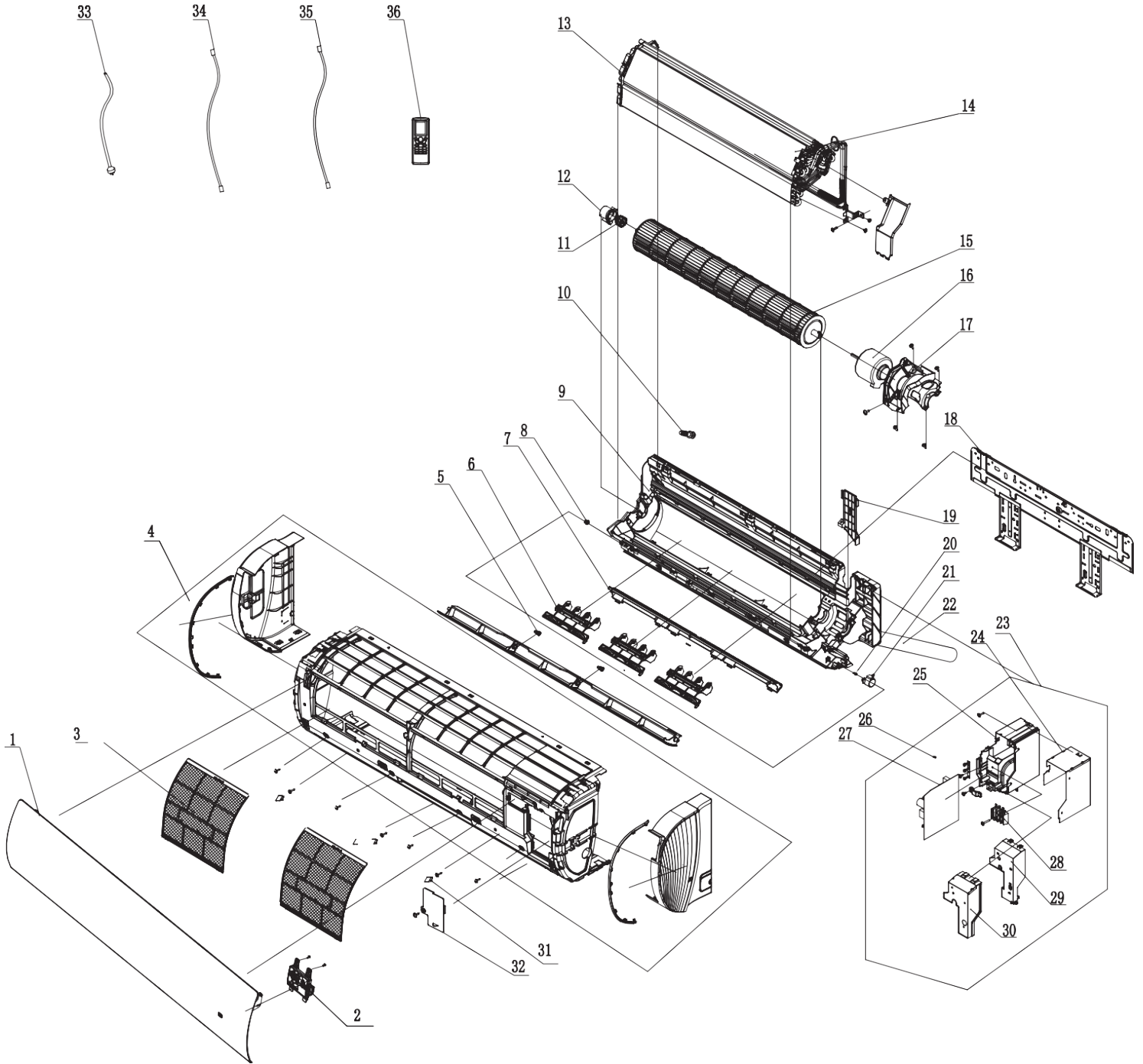
SAP09HP230V1AH
SAP12HP230V1AH
SAP18HP230V1AH
SAP24HP230V1AH

<i>NOMENCLATURE</i>	<i>3</i>
<i>SAP09HP230V1AH EV.....</i>	<i>4</i>
<i>SAP09HP230V1AH Parts Lists</i>	<i>5</i>
<i>SAP09HP230V1AO EV.....</i>	<i>7</i>
<i>SAP09HP230V1AO Parts Lists</i>	<i>8</i>
<i>SAP12HP230V1AH EV</i>	<i>9</i>
<i>SAP12HP230V1AH Parts Lists</i>	<i>10</i>
<i>SAP12HP230V1AO EV.....</i>	<i>12</i>
<i>SAP12HP230V1AO Parts Lists</i>	<i>13</i>
<i>SAP18HP230V1AH EV</i>	<i>14</i>
<i>SAP18HP230V1AH Parts Lists</i>	<i>15</i>
<i>SAP18HP230V1AO EV.....</i>	<i>17</i>
<i>SAP18HP230V1AO Parts Lists</i>	<i>18</i>
<i>SAP24HP230V1AH EV.....</i>	<i>19</i>
<i>SAP24HP230V1AH Parts Lists.....</i>	<i>20</i>
<i>SAP24HP230V1AO EV.....</i>	<i>22</i>
<i>SAP24HP230V1AO Parts Lists.....</i>	<i>23</i>

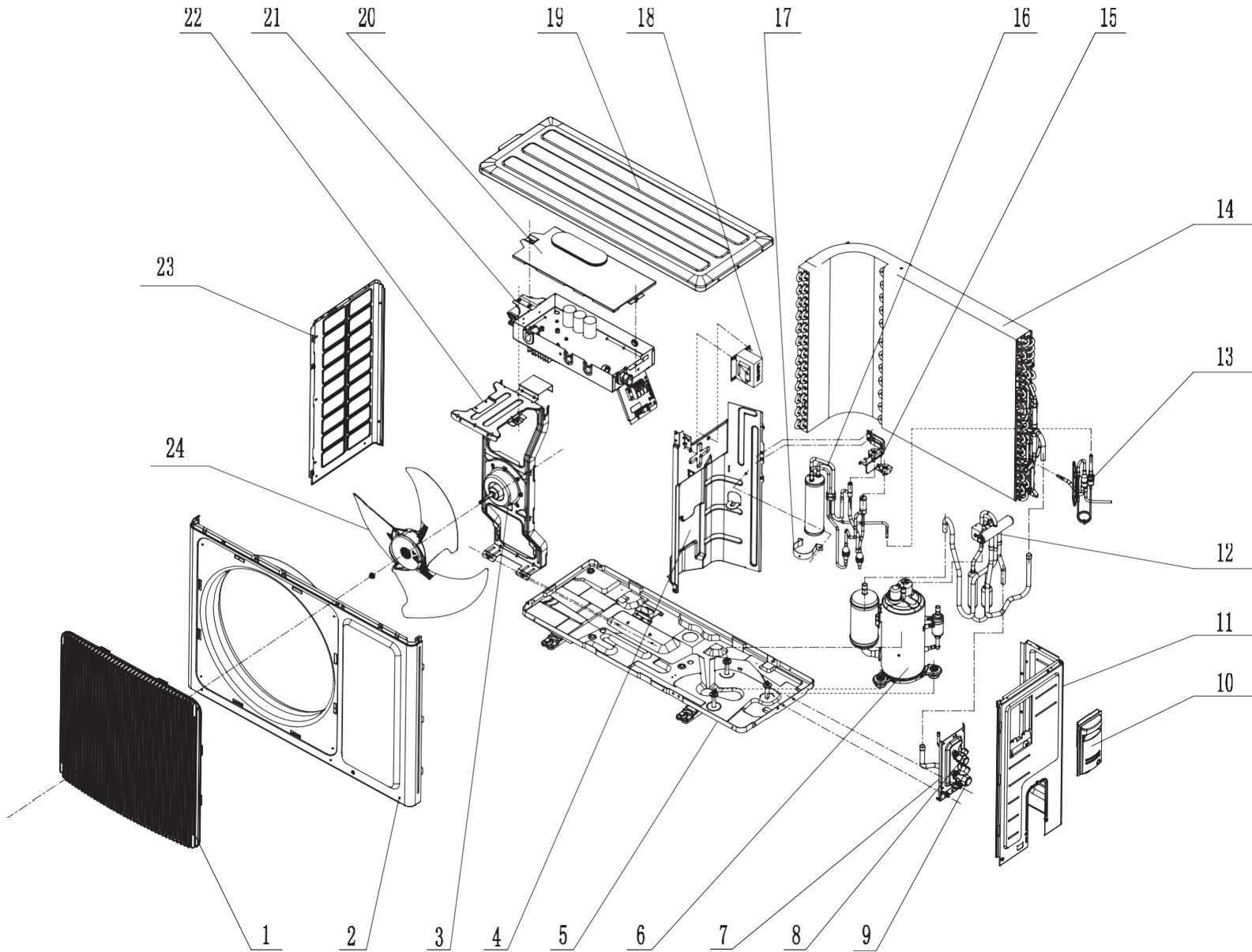


Nomenclature





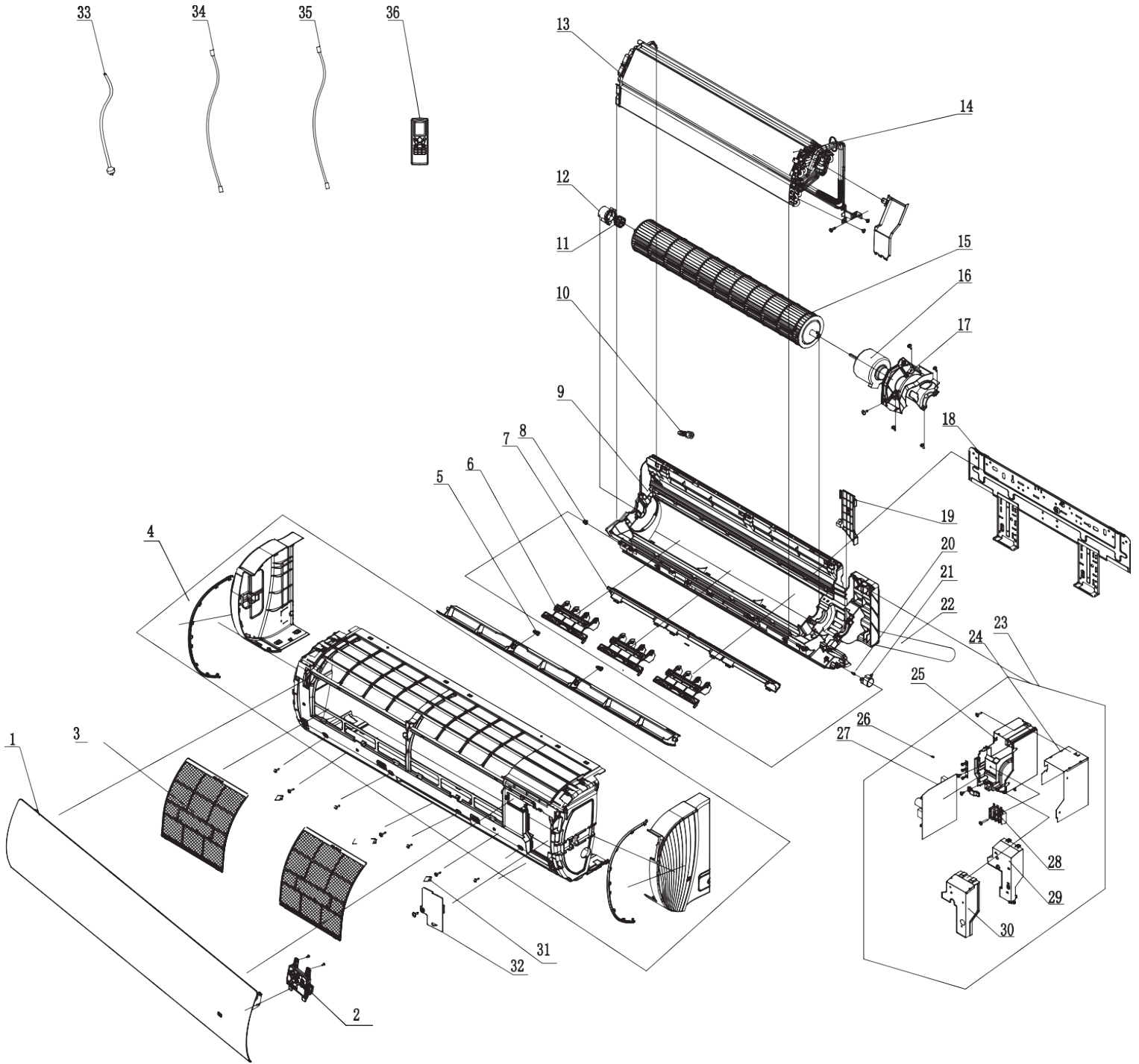
NO.	Part Description	Qty	Part Code
1	Front Panel	1	200003000130T01
2	Display Board	1	300001000202
3	Filter Sub-Assy	2	11122089
4	Front Case Assy	1	000002000043
5	Axile Bush	2	10542036
6	Air Louver	3	10512736
7	Helicoid Tongue	1	26112512
8	Left Axile Bush	1	10512037
9	Rear Case Assy	1	0000010017701
10	Rubber Plug (Water Tray)	1	76712012
11	O-Gasket sub-Assy of Bearing	1	7651205102
12	Ring of Bearing	1	26152025
13	Evaporator Support	1	24212177
14	Evaporator Assy	1	011001000457
15	Cross Flow Fan	1	10352060
16	Fan Motor	1	15012136
17	Motor Press Plate	1	26112511
18	Wall Mounting Frame	1	01362026
19	Connecting pipe clamp	1	2611218801
20	Crank	1	73012005
21	Stepping Motor	1	1521240210
22	Drainage Hose	1	05230014
23	Electric Box Assy	1	100002003906
24	Lower Shield of Electric Box	1	01592139
25	Electric Box	1	2011221102
26	Jumper	1	4202021922
27	Main Board	1	300002000093
28	Terminal Board	1	42011233
29	Electric Box Cover	1	2011220901
30	Shield Cover of Electric Box	1	01592176
31	Screw Cover	3	242520179
32	Electric Box Cover2	1	2011221001
34	Connecting Cable	0	N/A
36	Remote Controller	1	305001000082



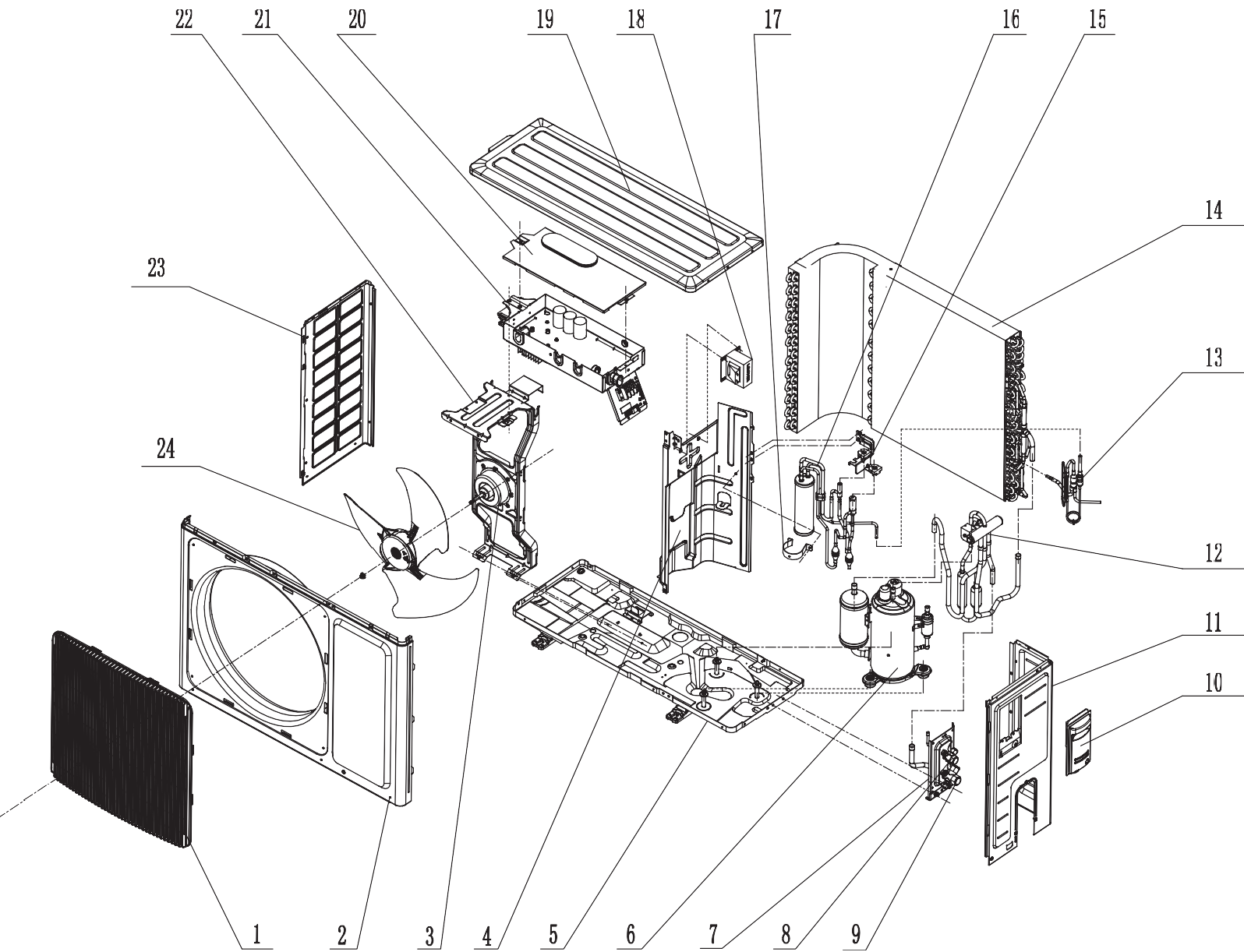
NO.	Part Description	Qty	Part Code
1	Front Grill	1	01473065
2	Front Panel Assy	1	0153305104
3	Fan Motor	1	1501308507
4	Clapboard	1	01233510
5	Chassis Sub-Assy	1	0280311901P
6	Compressor and Fittings	1	00103977
7	Valve Support Sub-Assy	1	01703242P
8	Cut off Valve	1	07130239
9	Cut off Valve 1/2	1	0710307901
10	Big Handle	0	none
11	Right Side Plate	1	0130510002P
12	4-Way Valve Assy	1	03073360
13	Capillary Sub-Assy	1	030006060038
14	Condenser Assy	1	011002060037
15	Stationary Barrier	1	01703179
16	Flash Vaporizer Sub-Assy	1	07223057
17	Tube Clip	1	02143030
18	Reactor	1	43130185
19	Top cover	1	012049000006P
20	Electric Box Cover Sub-Assy	1	0260309601
21	Electric Box Assy	1	100002060314
22	Motor Support Sub-Assy	1	01703180
23	Left Side Plate	1	01303169P
24	Axial Flow Fan	1	10333022

ASSEMBLIES

21	Electric Box Assy	1	100002060314
N/A	Main Board	1	300027060051



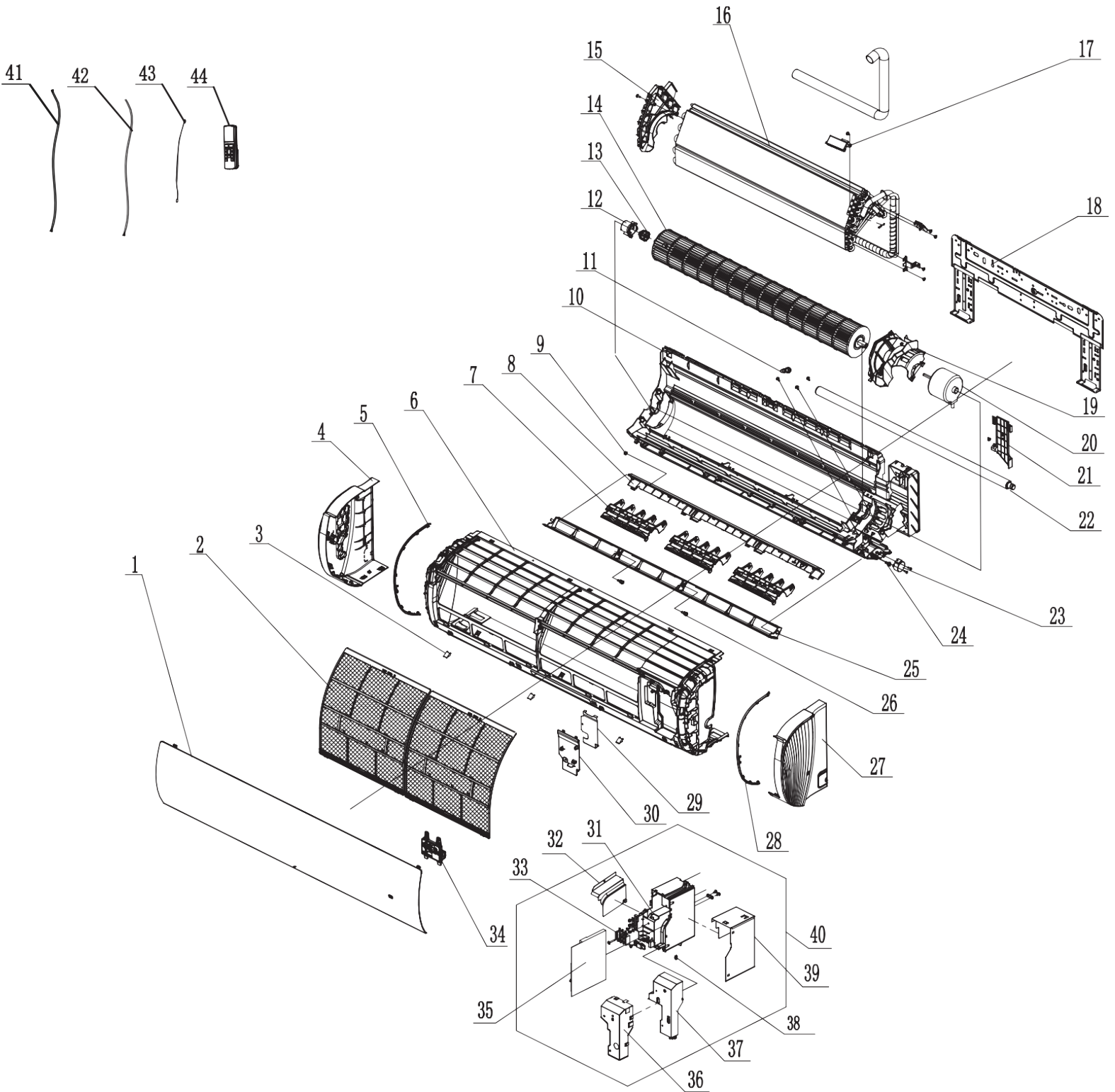
No.	Part Description	Qty	Part Code
1	Front Panel	1	200003000130T01
2	Display Board	1	300001000202
3	Filter Sub-Assy	2	11122089
4	Front Case Assy	1	000002000043
5	Axile Bush	2	10542036
6	Air Louver	3	10512736
7	Helicoid Tongue	1	26112512
8	Left Axile Bush	1	10512037
9	Rear Case Assy	1	0000010017701
10	Rubber Plug (Water Tray)	1	76712012
11	O-Gasket sub-Assy of Bearing	1	7651205102
12	Ring of Bearing	1	26152025
13	Evaporator Support	1	24212177
14	Evaporator Assy	1	0100200001401
15	Cross Flow Fan	1	10352060
16	Fan Motor	1	15012136
17	Motor Press Plate	1	26112511
18	Wall Mounting Frame	1	01362026
19	Connecting pipe clamp	1	2611218801
20	Crank	1	73012005
21	Stepping Motor	1	1521240210
22	Drainage Hose	1	05230014
23	Electric Box Assy	1	100002003903
24	Lower Shield of Electric Box	1	01592139
25	Electric Box	1	2011221102
26	Jumper	1	4202021925
27	Main Board	1	300002000093
28	Terminal Board	1	42011233
29	Electric Box Cover	1	2011220901
30	Shield Cover of Electric Box	1	01592176
31	Screw Cover	3	242520179
32	Electric Box Cover2	1	2011221001
33	Power Cord	0	N/A
34	Connecting Cable	1	N/A
35	Connecting Cable	1	N/A
36	Remote Controller	1	305001000082



NO.	Part Description	Qty	Part Code
1	Front Grill	1	01473065
2	Front Panel Assy	1	0153305104
3	Fan Motor	1	1501308507
4	Clapboard	1	01233510
5	Chassis Sub-Assy	1	0280311901P
6	Compressor and Fittings	1	00103977
7	Valve Support Sub-Assy	1	01713115P
8	Cut off Valve	1	07130239
9	Cut off Valve 1/2	1	0710307901
10	Big Handle	0	none
11	Right Side Plate	1	0130510002P
12	4-Way Valve Assy	1	03073360
13	Capillary Sub-Assy	1	030006000624
14	Condenser Assy	1	011002000728
15	Stationary Barrier	1	01703179
16	Flash Vaporizer Sub-Assy	1	03007000001
17	Tube Clip	1	02143030
18	Reactor	1	43130185
19	Top cover	1	012049000006
20	Electric Box Cover Sub-Assy	1	0260309601
21	Electric Box Assy	1	10000100908
22	Motor Support Sub-Assy	1	01703180
23	Left Side Plate	1	01303169P
24	Axial Flow Fan	1	10333022

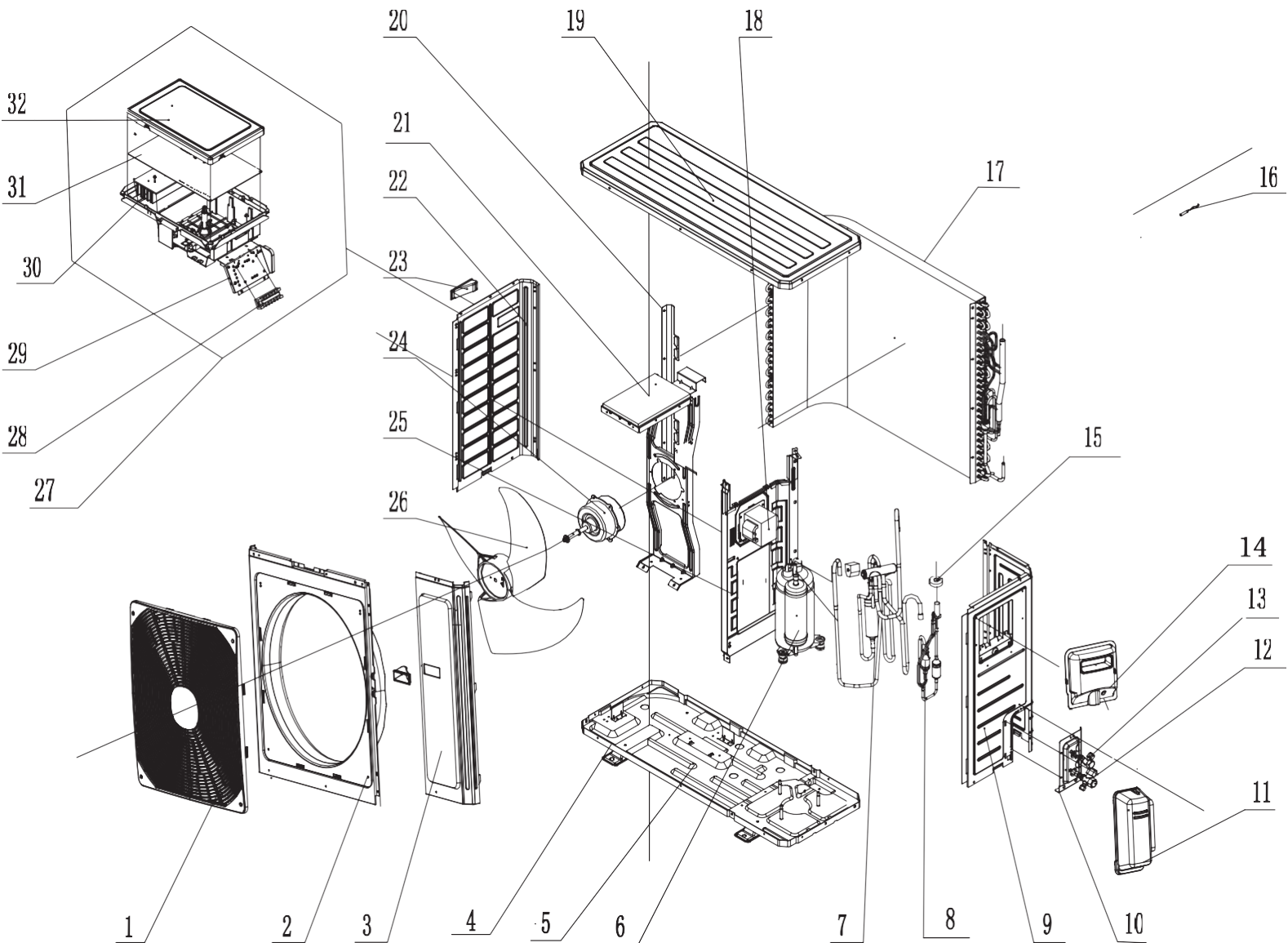
ASSEMBLIES

21	Electric Box Assy	1	100002060314
N/A	Main Board	1	300027000057

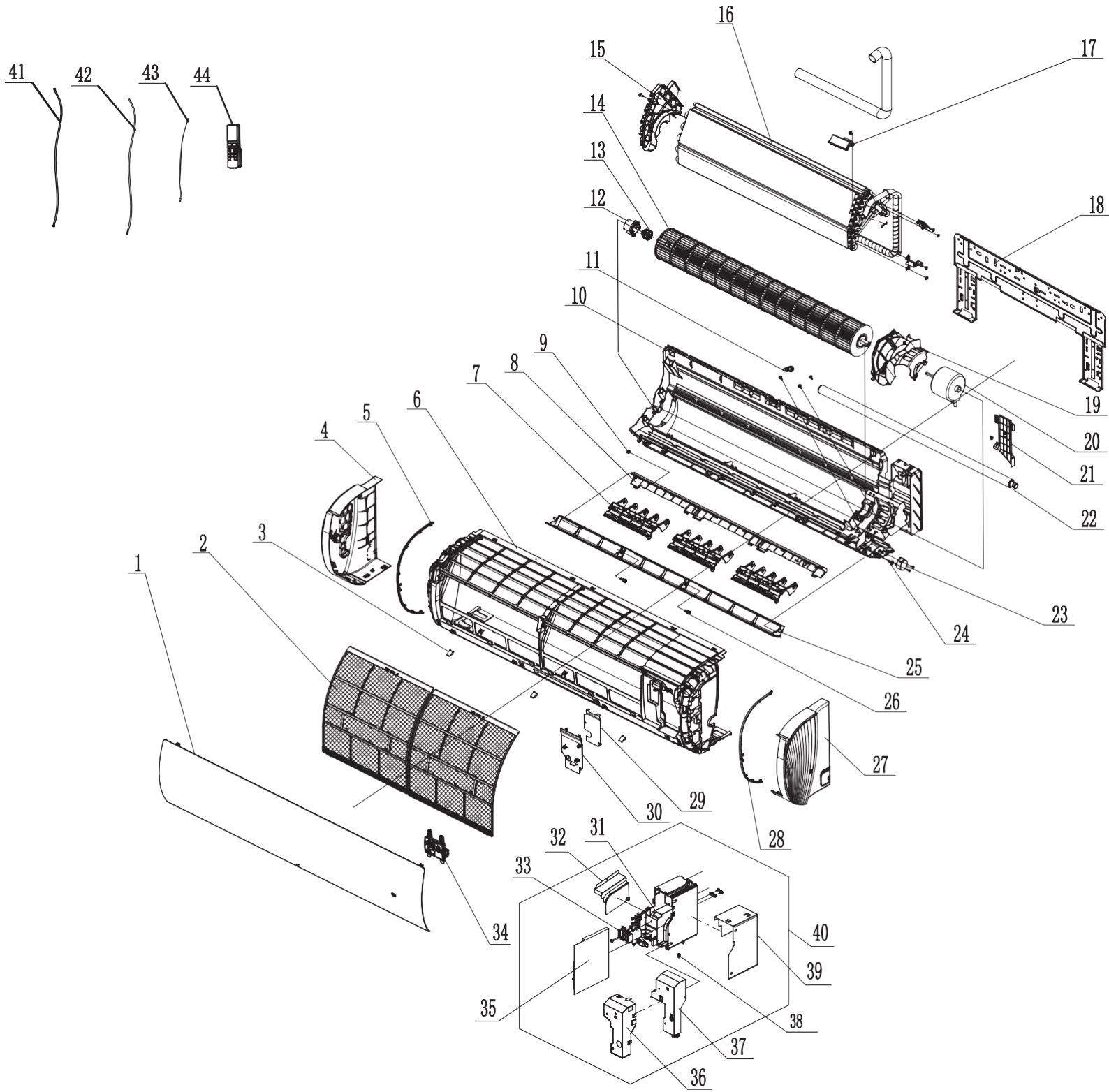


NO.	Part Description	Qty	Part Code
1	Front Panel	1	200003000127T01
2	Filter Sub-Assy	2	11012007
3	Screw Cover	3	2425201906
4	Left Side Plate	1	200085000011
5	Decorative Strip (Left)	1	230001000066D
6	Front Case	1	00000200004002
7	Air Louver	1	10512744
8	Helicoid Tongue sub-Assy	1	26112384
9	Left Axile Bush	1	10512037
10	Rear Case Assy	1	000001000075
11	Rubber Plug (Water Tray)	1	76712012
12	Ring of Bearing	1	26152025
13	O-Gasket sub-Assy of Bearing	1	7651205102
14	Cross Flow Fan	1	10352057
15	Evaporator Support	1	24212178
16	Evaporator Assy	1	01100100007301
17	Cold Plasma Generator	0	none
18	Wall Mounting Frame	1	012043000007
19	Motor Press Plate	1	26112515
20	Fan Motor	1	15012136
21	Connecting pipe clamp	1	26112514
22	Drainage Hose	1	0523001405
23	Stepping Motor	1	1521240210
24	Crank	1	73012005
25	Guide Louver	1	200004000048
26	Axile Bush	2	10542036
27	Right Side Plate	1	200086000011
28	Decorative Strip (Right)	1	230001000065D
29	Shield Cover of Electric Box Cover 2	1	01202000099
30	Electric Box Cover2	1	2011221001
31	Electric Box	1	2011221102
32	Side plate (electric box)	1	01302002
33	Terminal Board	1	42011233
34	Display Board	1	300001000202

NO.	Part Description	Qty	Part Code
35	Main Board	1	300002000093
36	Shield Cover of Electric Box	1	01592176
37	Electric Box Cover	1	2011220901
38	Jumper	1	4202021926
39	Lower Shield of Electric Box	1	01592139
40	Electric Box Assy	1	100002003944
41	Connecting Cable	0	none
42	Connecting Cable	0	none
43	Temperature Sensor	1	3900031302
44	Remote Controller	1	305001000082_L75973

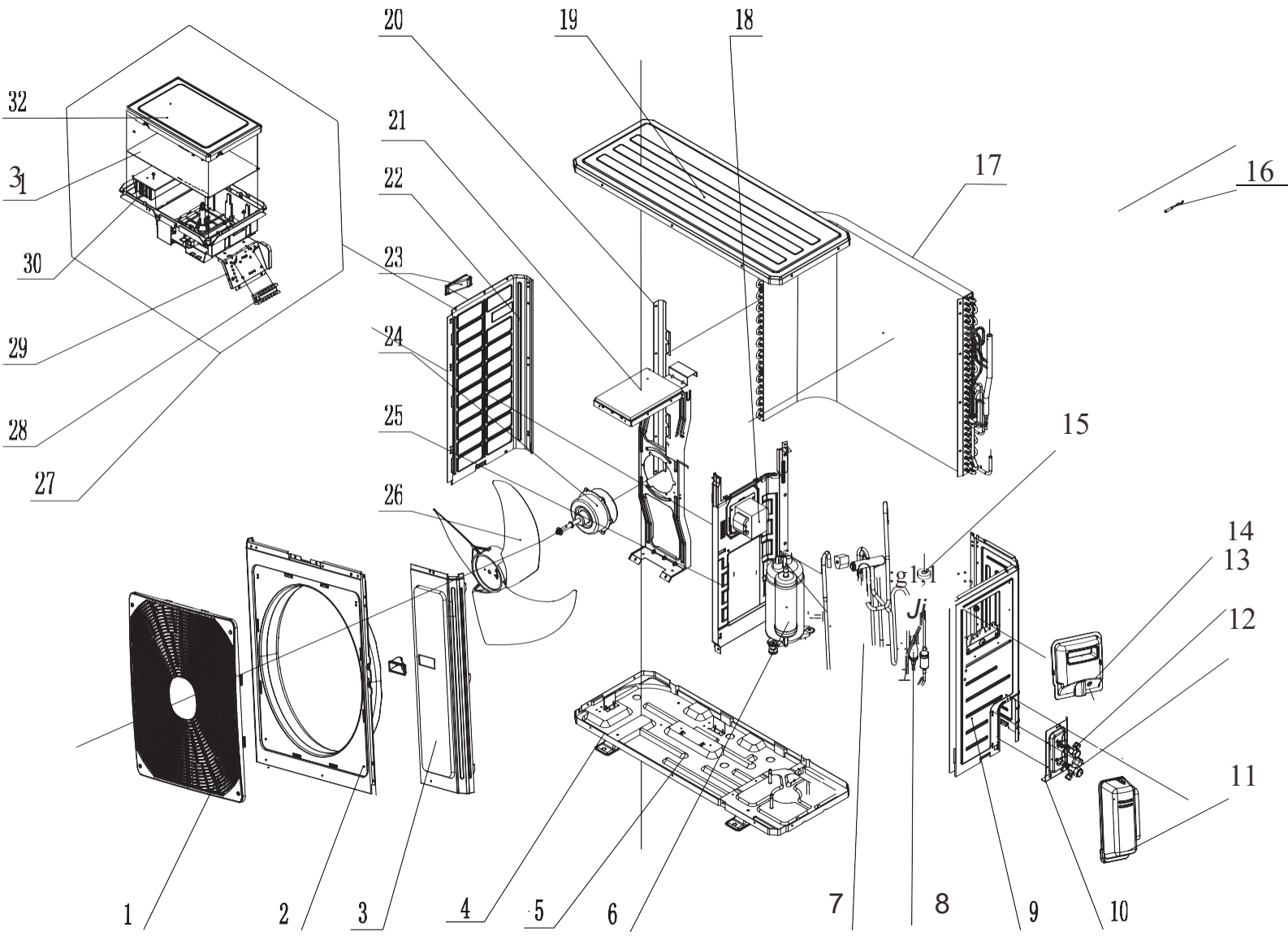


NO.	Part Description	Qty	Part Code
1	Front Grill	1	01473050
2	Front Panel Assy	1	0153501405
3	Front Side Plate Sub-Assy	1	01303249P
4	Chassis Sub-Assy	1	02803315P
5	Electrical Heater (Chassis)	1	7651000411
6	Compressor and Fittings	1	00105251
7	4-Way Valve Assy	1	030152000081
8	Electronic Expansion Valve Assy	1	030174060029
9	Right Side Plate	1	0130504402P
10	Valve Support Sub-Assy	1	0170506101P
11	Valve Cover	1	22245003
12	Cut off Valve	1	0713517901
13	Cut off Valve Sub-Assy	1	07133934
14	Big Handle	1	02115005
15	Magnet Coil	1	4300040045
16	Temperature Sensor	1	3900030901
17	Condenser Assy	1	011002000242
18	Reactor	1	43130024
19	Top Cover Sub-Assy	1	000051000026
20	Condenser Support Plate	1	01175092
21	Motor Support Assy	1	000046000019
22	Left Side Plate	1	01305043P
23	Left Handle	0	none
24	Brushless DC Motor	1	15010400000102
25	Clapboard Sub-Assy	1	01235091
26	Axial Flow Fan	1	10335013
27	Electric Box Assy	1	100002000485
28	Terminal Board	1	42200006001401
29	Terminal Board Support sub-Assy	1	01715016
30	Radiator	1	49015215
31	Main Board	1	300027000040
32	Electric Box Cover	1	20125002



NO.	Part Description	Qty	Part Code
1	Front Panel	1	200003000127T01
2	Filter Sub-Assy	2	11012007
3	Screw Cover	3	2425201906
4	Left Side Plate	1	200085000011
5	Decorative Strip (Left)	1	230001000066D
6	Front Case	1	00000200004002
7	Air Louver	1	10512744
8	Helicoid Tongue sub-Assy	1	26112384
9	Left Axile Bush	1	10512037
10	Rear Case Assy	1	000001000075
11	Rubber Plug (Water Tray)	1	76712012
12	Ring of Bearing	1	26152025
13	O-Gasket Sub-Assy of Bearing	1	7651205102
14	Cross Flow Fan	1	10352057
15	Evaporator Support	1	24212178
16	Evaporator Assy	1	011001000095
17	Cold Plasma Generator	0	N/A
18	Wall Mounting Frame	1	012043000007
19	Motor Press Plate	1	26112515
20	Fan Motor	1	15012136
21	Connecting pipe clamp	1	26112514
22	Drainage Hose	1	0523001405
23	Stepping Motor	1	1521240210
24	Crank	1	73012005
25	Guide Louver	1	200004000048
26	Axile Bush	2	10542036
27	Right Side Plate	1	200086000011
28	Decorative Strip (Right)	1	230001000065D
29	Shield Cover of Electric Box Cover 2	1	01202000099
30	Electric Box Cover2	1	2011221001
31	Electric Box	1	2011221102
32	Side plate (electric box)	1	01302002
33	Terminal Board	1	42011233
34	Display Board	1	300001000202

NO.	Part Description	Qty	Part Code
35	Main Board	1	300002000093
36	Shield Cover of Electric Box	1	01592176
37	Electric Box Cover	1	2011220901
38	Jumper	1	4202021929
39	Lower Shield of Electric Box	1	01592139
40	Electric Box Assy	1	100002003959
41	Connecting Cable	0	N/A
42	Connecting Cable	0	N/A
43	Temperature Sensor	1	3900031302
44	Remote Controller	1	305001000082_L75973



NO.	Part Description	qty	Part Code
1	Front Grill	1	01473050
2	Front Panel Assy	1	0153501405
3	Front Side Plate Sub-Assy	1	01303249P
4	Chassis Sub-Assy	1	017000000166P
5	Electrical Heater (Chassis)	1	7651000411
6	Compressor and Fittings	1	00105251
7	4-Way Valve Assy	1	030152000081
8	Electronic Expansion Valve Assy	1	030174000045
9	Right Side Plate	1	0130504402P
10	Valve Support Sub-Assy	1	0170506101P
11	Valve Cover	1	22245003
12	Cut off Valve	1	0713517901
13	Cut off Valve Sub-Assy	1	07133934
14	Big Handle	1	02115005
15	Magnet Coil	1	4300040045
16	Temperature Sensor	1	3900030901
17	Condenser Assy	1	011002000340
18	Reactor	0	N/A
19	Top Cover Sub-Assy	1	000051000026
20	Condenser Support Plate	1	01175092
21	Motor Support Sub-Assy	1	017012000015
22	Left Side Plate	1	01305043P
23	Left Handle	0	N/A
24	Brushless DC Motor	1	15010400000102
25	Clapboard Sub-Assy	1	017021000067
26	Axial Flow Fan	1	10335013
27	Electric Box Assy	1	100002000598
28	Terminal Board	1	42200006001401
29	Terminal Board Sub- Assy	1	01715016
30	Radiator	1	4901521501
31	Main Board	1	300027000224
32	Electric Box Cover	1	20125002



U.S. CONTACT INFORMATION TRADEWINDS, LLC

E-mail: info@twclimate.com

Contractor Support: 888-850-7928 | Mon- Fri 8 AM - 5 PM EDT

GREE ELECTRIC APPLIANCES INC.OF ZHUHAI
GREECOMFORT.COM