

SUBMITTAL DATA

SAP09HP230V1AH for Use with Multi GEN2 and Multi+ Ultra
9000 BTU/H Wall Mounted Unit

Job Name

Location

Date

Purchaser

Engineer

Submitted to

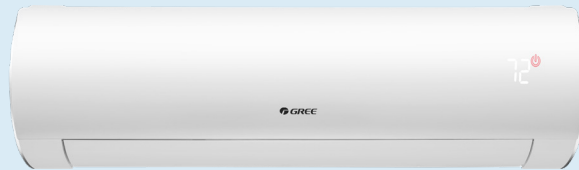
For

Unit Designation

Schedule No.



YAG1FB2F



SAP09HP230V1AH



XE71 (Optional)

GENERAL FEATURES

- High Efficiency DC Inverter Technology
- Elegant and Quiet Design
- Auto-Clean Function on Indoor Unit
- Wireless Remote with LCD Display
- Wired Controller Options
- Wi-Fi Included (Factory Installed)
- Low Ambient Cooling Based on Outdoor Unit Performance
- Low Ambient Heating Based on Outdoor Unit Performance
- Coil (Outdoor) Copper Tube/Aluminum Fin with Anti-Corrosion Coil Coating (Gold Colored Fin - 1500Hr Salt Spray Rating)
- Coil (Indoor) Copper Tube/Aluminum Fin with Anti-Corrosion Coil Coating (Blue Colored Fin - 500Hr Salt Spray Rating)

SPECIFICATIONS, FEATURES & FUNCTION SUMMARY

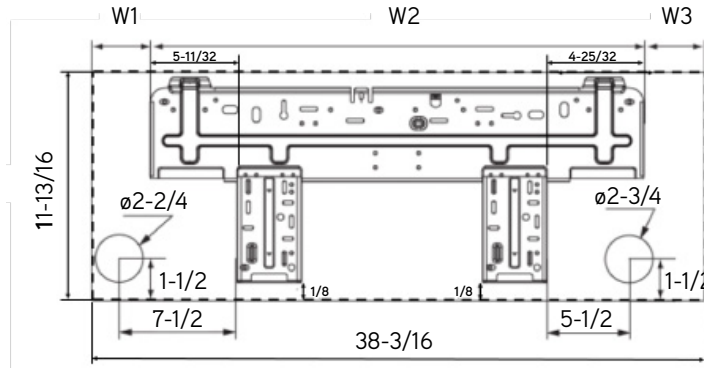
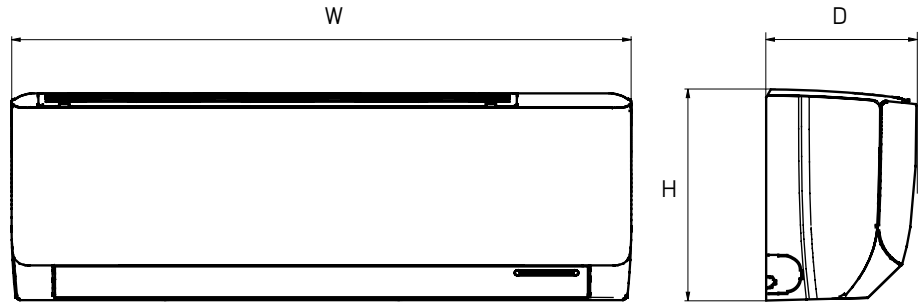
SPECIFICATIONS		SAP09HP230V1AH		FEATURES & FUNCTIONS SUMMARY		SAP09HP230V1AH		
System Type		HEAT PUMP						
SYSTEM PERFORMANCE				SYSTEM FEATURES				
Cooling	Nominal	Btu/h	9000	Wired Controller Interface	No			
	Capacity @95°F	Btu/h		WiFi Included	Yes			
Heating	Nominal	Btu/h	9000	Indoor Fan Type	Crossflow			
	Capacity @5°F	Btu/h		Multi Fan Speeds	7 Speeds			
	Capacity @17°F	Btu/h		Indoor Unit Display	Yes			
	Capacity @47°F	Btu/h		Auxiliary Electrical Heater	No			
SEER2				Ventilation (Outdoor Air)	No			
EER2				REMOTE CONTROLLER FUNCTIONS				
HSPF2	System Performance Based on the Connected Outdoor Unit Performance			Auto Mode	Yes			
COP @5°F				Auto Fan	Yes			
COP @47°F				Auto Swing (Horizontal Auto Swing)	Yes			
Cooling Temperature Range				°F	Auto Swing (Vertical Auto Swing)	Yes		
Heating Temperature Range				°F	Clock on Remote Controller	Yes		
Refrigerant Type	R410A			Dry Mode	Yes			
INDOOR UNIT		SAP09HP230V1AH		Dry Anti-Mildew (X-Fan) Mode	Yes			
Air flow (Min-Max)	CFM	206 - 424		Energy Saving Mode	No			
Sound Pressure Level (Min - Max)	dB(A)	19 - 46		Dirty Filter Alert	No			
Dehumidification	pt/hr	1.69		I Feel Function	Yes			
External Dimensions (WxHxD)	in	39-7/8 x 12-1/8 x 8-3/4		Lock on Remote Controller	Yes			
Package Dimension (W x H x D)	in	42-7/16 x 14-13/16 x 11-13/16		Quiet Mode	Yes			
Net Weight	lbs	29.8		Room Temperature Display	No			
Gross Weight	lbs	36.4		Sleep Mode	Yes			
REFRIGERANT PIPING				4 Sleep Mode Options	Yes			
Line Set Sized by the Indoor Unit (Liquid - Gas) - Flared Connections	in	1/4 - 1/2		Timer Mode	Yes			
ELECTRICAL				Turbo Mode	Yes			
Power Supply	208-230V / 1Ph / 60Hz (Powered by the Outdoor Unit)			Display On/Off Control	Yes			
				Freeze Guard Mode	No			

DIMENSIONS & CLEARANCES

INDOOR UNIT

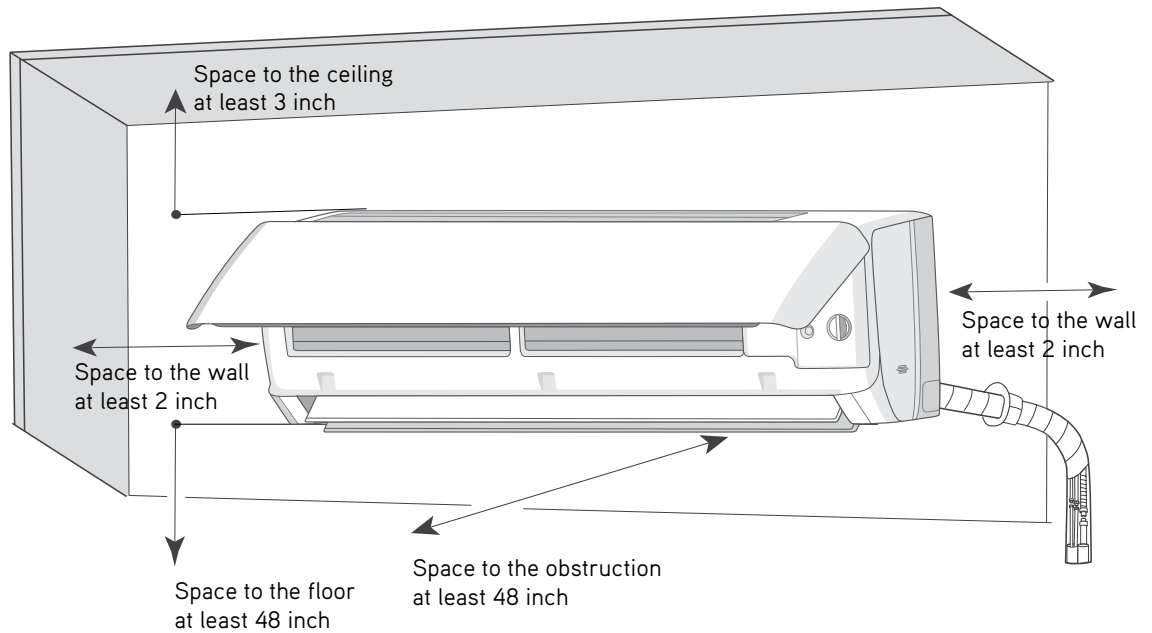
Unit: inch

SAP09HP230V1AH	
DIMENSIONS	
W	39-7/8
H	12-1/8
D	8-3/4
W1	4
W2	27
W3	7-3/16



INDOOR UNIT

Minimum clearance



Specifications are subject to change without notice. Manufacturer reserves the right to discontinue or modify specifications or designs without notice or without incurring obligations. All Rights reserved.

GREECOMFORT.COM/SYSTEM-DOCUMENTATION