

## SUBMITTAL DATA

SAP09HP230V1AH / SAP09HP230V1AO  
9000 BTU/H Wall Mounted Heat Pump System

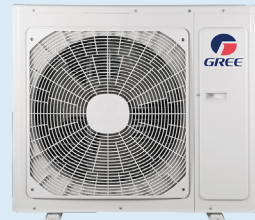
Job Name <input type="text"/>	Location <input type="text"/>	Date <input type="text"/>
Purchaser <input type="text"/>	Engineer <input type="text"/>	
Submitted to <input type="text"/>	For <input type="text"/>	
Unit Designation <input type="text"/>	Schedule No. <input type="text"/>	



YAG1FB2F



SAP09HP230V1AH



SAP09HP230V1AO



XE71 (Optional)

## GENERAL FEATURES

- AHRI Certificate: 10149900
- High Efficiency DC Inverter Technology
- Elegant and Quiet Design
- Auto-Clean Function on Indoor Unit
- Wireless Remote with LCD Display
- Wired Controller Options
- Wi-Fi Included (Factory Installed)
- Low Ambient Cooling down to 0°F (Range 0°F to 129°F)
- Low Ambient Heating down to -22°F (Range -22°F to 75°F)
- Coil (Outdoor) Copper Tube/Aluminum Fin with Anti-Corrosion Coil Coating (Gold Colored Fin - 1500Hr Salt Spray Rating)
- Coil (Indoor) Copper Tube/Aluminum Fin with Anti-Corrosion Coil Coating (Blue Colored Fin - 500Hr Salt Spray Rating)

## SPECIFICATIONS, FEATURES & FUNCTION SUMMARY

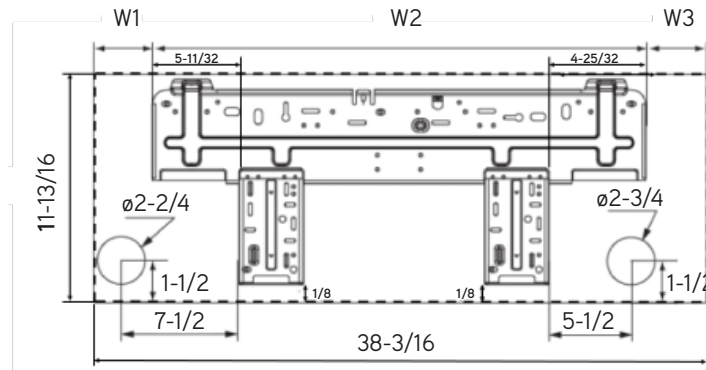
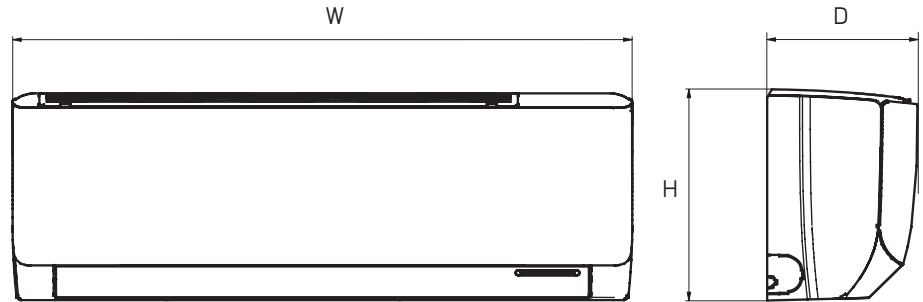
SPECIFICATIONS		SAP09HP230V1AH / SAP09HP230V1AO		FEATURES & FUNCTIONS SUMMARY		SAP09HP230V1AH / SAP09HP230V1AO	
System Type		HEAT PUMP					
<b>SYSTEM PERFORMANCE</b>				<b>SYSTEM FEATURES</b>			
Cooling	Min - Max	Btu/h	1535 - 12966	Inverter Type	G10		
	Capacity @95°F	Btu/h	9000	Ultra Low Frequency Torque Control	Yes		
Heating	Min - Max	Btu/h	2388 - 13648	Power Factor Correction	Yes		
	Capacity @5°F	Btu/h		Compressor Type	High Efficiency Two Stage Rotary		
	Capacity @17°F	Btu/h	8000	Refrigerant Type	R410A		
	Capacity @47°F	Btu/h	9000	Basepan With Electric Heater	Yes		
SEER2			27.0	Compressor With Electric Heater	Yes		
EER2			16.6	Indoor & Outdoor Fin Coating	Acrylic Resin/Anti-Corrosion		
HSPF2			11.0	Intelligent Defrosting	Yes		
COP @5°F				Intelligent Preheating	Yes		
COP @47°F			4.3	Low Voltage Startup	Yes		
Cooling Temperature Range	°F	0 - 129		Memory/Power Failure Recovery	Yes		
Heating Temperature Range	°F	-22 - 75		Self Diagnosis	Yes		
Refrigerant Type			R410A	Wired Controller Interface	No		
<b>INDOOR UNIT</b>		<b>SAP09HP230V1AH</b>		WiFi Included	Yes		
Air flow (Min-Max)	CFM	206 - 424		Indoor Fan Type	Crossflow		
Sound Pressure Level (Min - Max)	dB(A)	19 - 46		Multi Fan Speeds	7 Speeds		
Dehumidification	pt/hr	1.69		Indoor Unit Display	Yes		
External Dimensions (WxHxD)	in	39-7/8 x 12-1/8 x 8-3/4		Auxiliary Electrical Heater	No		
Package Dimension (W x H x D)	in	42-7/16 x 14-13/16 x 11-13/16		Ventilation (Outdoor Air)	No		
Net Weight	lbs	29.8		<b>REMOTE CONTROLLER FUNCTIONS</b>			
Gross Weight	lbs	36.4		Auto Mode	Yes		
<b>OUTDOOR UNIT</b>		<b>SAP09HP230V1AO</b>		Auto Fan	Yes		
Compressor Type			GREE G-10 / 2 - STAGE INVERTER	Auto Swing (Horizontal Auto Swing)	Yes		
Sound Pressure Level	dB(A)	57		Auto Swing (Vertical Auto Swing)	Yes		
External Dimensions (WxHxD)	in	35-13/32 x 23-1/2 x 14-7/8		Clock on Remote Controller	Yes		
Package Dimension (W x H x D)	in	37-3/16 x 24-13/16 x 16-7/16		Dry Mode	Yes		
Net Weight	lbs	99.2		Dry Anti-Mildew (X-Fan) Mode	Yes		
Gross Weight	lbs	105.8		Energy Saving Mode	No		
<b>REFRIGERANT PIPING</b>				Dirty Filter Alert	No		
Refrigerant Charge - R410A	oz	50.4		I Feel Function	Yes		
Additional Charge	oz/ft	0.2		Lock on Remote Controller	Yes		
Line Set Size (Liquid - Gas) - Flared Connections	in	1/4 - 1/2		Quiet Mode	Yes		
Pre-Charge Length	ft	25		Room Temperature Display	No		
Pipe Length (Min - Max)	ft	10 - 49		Sleep Mode	Yes		
Max. Pipe Elevation	ft	33		4 Sleep Mode Options	Yes		
<b>ELECTRICAL</b>				Timer Mode	Yes		
Power Supply			208-230V / 1Ph / 60Hz	Turbo Mode	Yes		
Voltage Range (Min - Max)	VAC	187 - 253		Display On/Off Control	Yes		
Rated Current - Cooling	A	6.2		Freeze Guard Mode	No		
Rated Current - Heating	A	6.9					
MCA	A	9					
MOCP	A	15					
Suggested Breaker Size	A	15					
Main Power Wire Size	AWG	Per Local Code					
Interconnecting Wire Size	AWG	14 / 4					

## DIMENSIONS

### INDOOR UNIT

Unit: inch

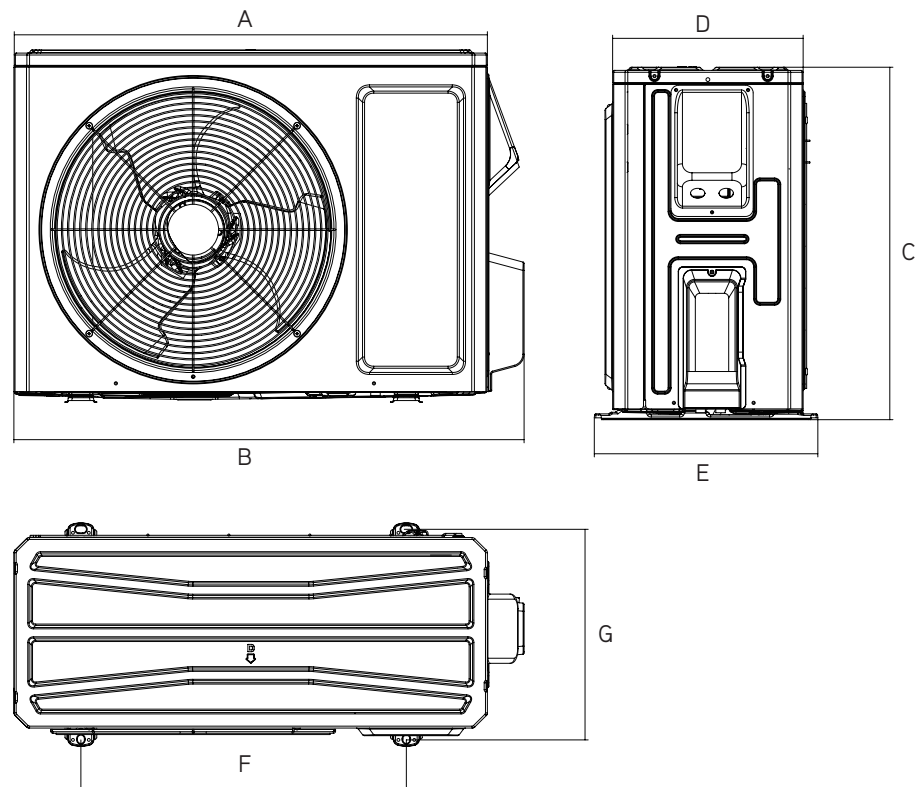
SAP09HP230V1AH	
DIMENSIONS	
W	39-7/8
H	12-1/8
D	8-3/4
W1	4
W2	27
W3	7-3/16



### OUTDOOR UNIT

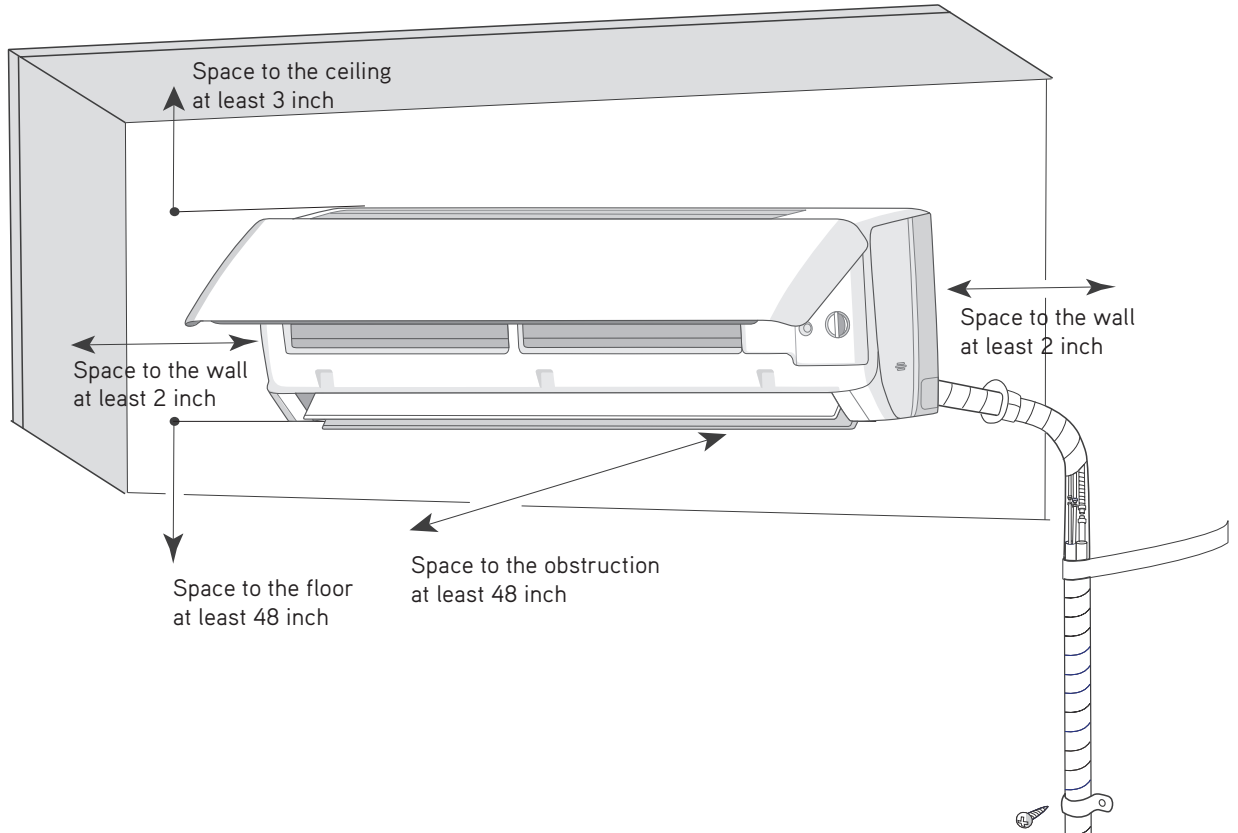
Unit: inch

SAP09HP230V1AO	
DIMENSIONS	
A	33-1/4
B	35-13/32
C	23-1/2
D	12
E	14-7/8
F	19-1/4
G	13 1/2

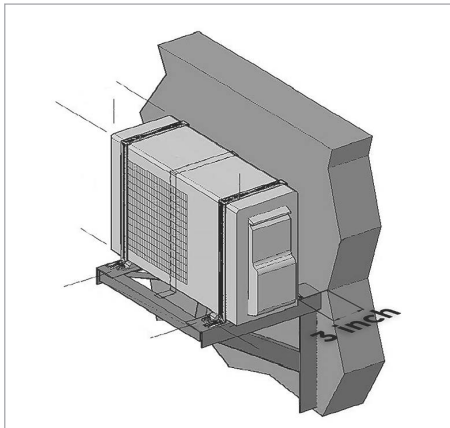


# CLEARANCES

## INDOOR UNIT Minimum clearance

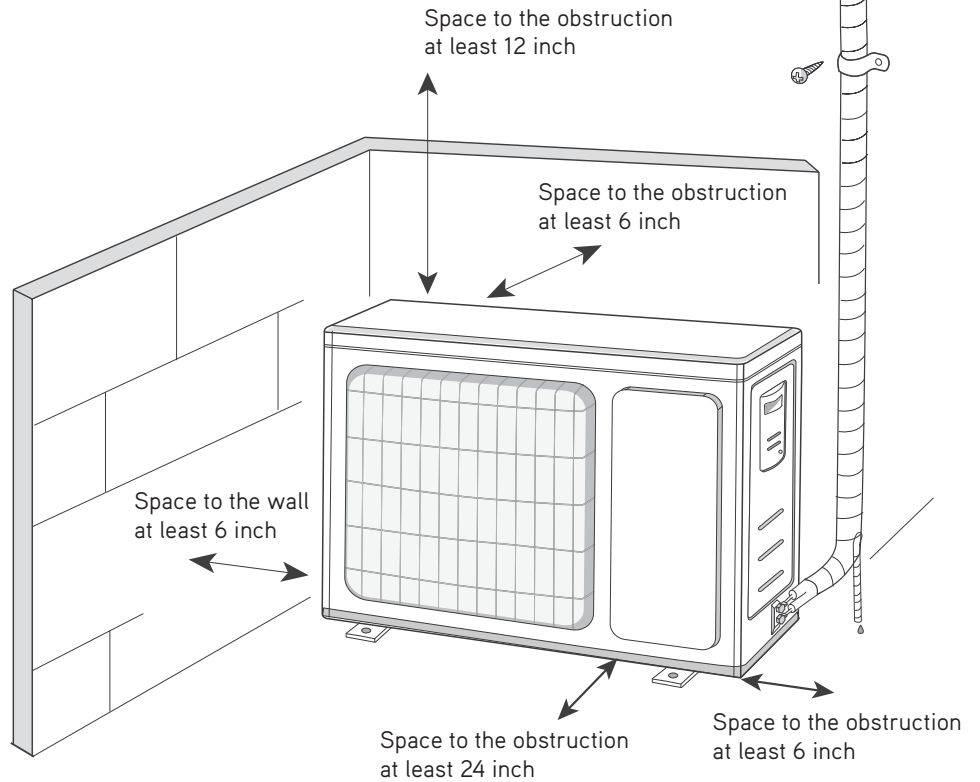


## OUTDOOR UNIT Minimum clearance



### NOTE:

If bottom of the unit is free of airflow obstructions similar to the mounting bracket figure, the clearance to the wall on the back can be reduced to 3 inches.



Specifications are subject to change without notice. Manufacturer reserves the right to discontinue or modify specifications or designs without notice or without incurring obligations. All Rights reserved.