

SUBMITTAL DATA

DUCT09HP230V1BD for Use with Multi GEN2 and Multi+ Ultra
9000 BTU/H Slim Duct (HS) Unit

Job Name <input type="text"/>	Location <input type="text"/>	Date <input type="text"/>
Purchaser <input type="text"/>	Engineer <input type="text"/>	
Submitted to <input type="text"/>	For <input type="text"/>	
Unit Designation <input type="text"/>	Schedule No. <input type="text"/>	



YAP1FB2F



DUCT09HP230V1BD



XE72

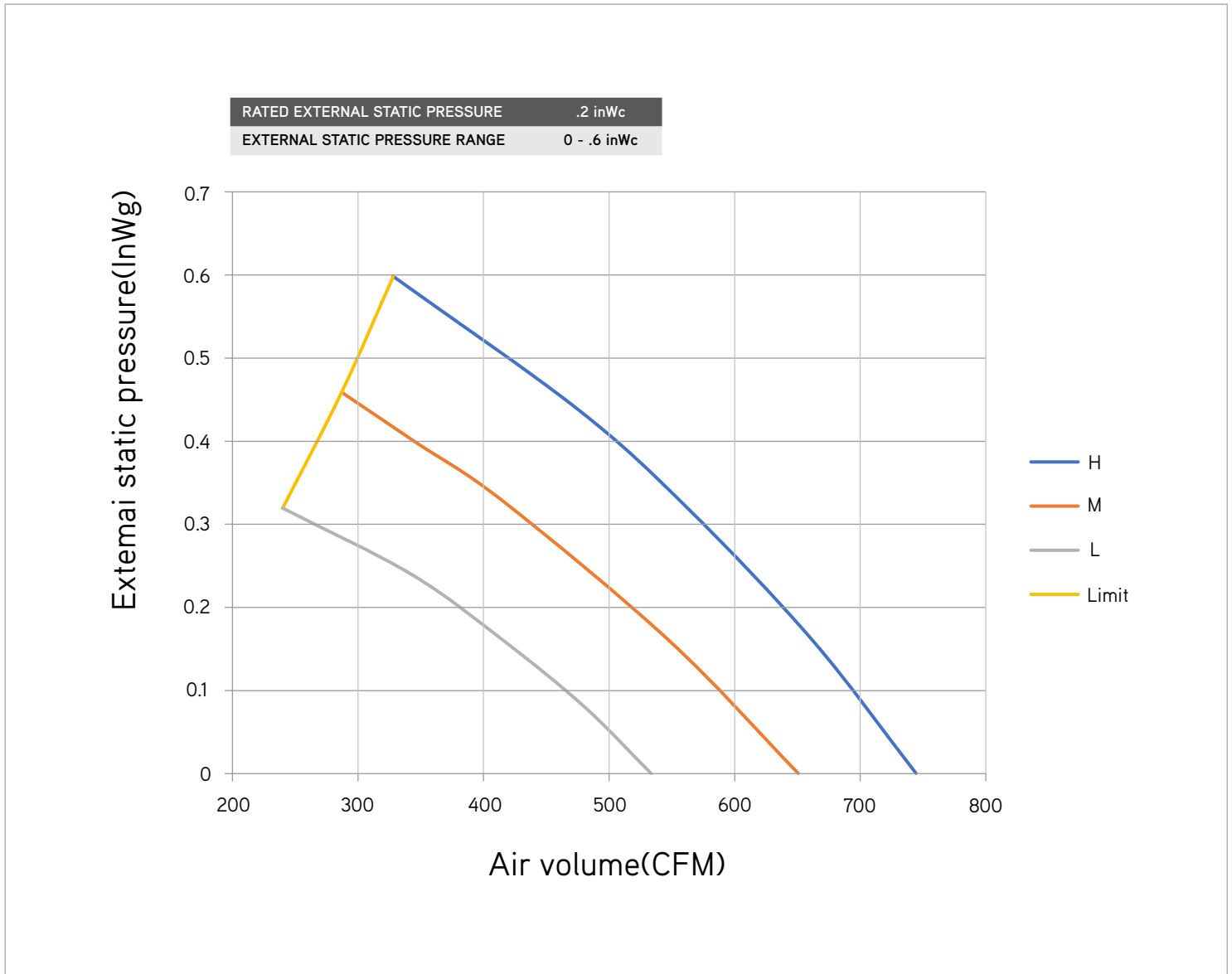
GENERAL FEATURES

- High Efficiency DC Inverter Technology
- Compact and Quiet Design
- Slim Line Construction 11 7/8" high
- High Static E.S.P Capability -Adjustible
- Internal Condensate Drain Pump
- Flexible Return Air From Bottom Or Rear
- Wireless Remote with LCD Display Included
- XE72 Wi-Fi Wired Controller Included
- Low Ambient Cooling Based on Outdoor Unit Performance
- Low Ambient Heating Based on Outdoor Unit Performance
- Coil (Indoor and Outdoor) Copper Tube / Aluminum Fin
- Blue Colored Fin - 500 Hrs Salt Spray Tested

SPECIFICATIONS, FEATURES & FUNCTION SUMMARY

SPECIFICATIONS		DUCT09HP230V1BD		FEATURES & FUNCTIONS SUMMARY		DUCT09HP230V1BD	
System Type		HEAT PUMP					
SYSTEM PERFORMANCE				SYSTEM FEATURES			
Cooling	Nominal	Btu/h	9000	Wired Controller Interface	Yes		
	Capacity @95°F	Btu/h		WiFi Included	No		
Heating	Nominal	Btu/h	9500	Indoor Fan Type	Centrifugal		
	Capacity @5°F	Btu/h		Multi Fan Speeds	4 Speeds		
	Capacity @17°F	Btu/h		Indoor Unit Display	Yes		
	Capacity @47°F	W		Auxiliary Electrical Heater	No		
SEER2				Ventilation (Outdoor Air)	Yes		
EER2				REMOTE CONTROLLER FUNCTIONS			
HSPF2				Auto Mode	Yes		
COP @5°F				Auto Fan	Yes		
COP @47°F				Auto Swing (Horizontal Auto Swing)	No		
Cooling Temperature Range	°F			Auto Swing (Vertical Auto Swing)	No		
Heating Temperature Range	°F			Clock	Yes		
Refrigerant Type			R410A	Dry Mode	Yes		
INDOOR UNIT		DUCT09HP230V1BD		Dry Anti-Mildew (X-Fan) Mode	Yes		
Air flow (Min-Max)	CFM	188 - 324		Energy Saving Mode	Yes		
External Static Pressure	In W.c.	0.6		Dirty Filter Alert	No		
Sound Pressure Level (Min - Max)	dB(A)	25 - 36		Fan Speed Control (4 Speeds)	Yes		
Dehumidification	pt/hr	1.7		I Feel Function	Yes		
External Dimensions (W x H x D)	in	32-11/16 x 11-7/8 x 29-11/16		Privacy Lock	Yes		
Package Dimension (W x H x D)	in	35-1/4 x 13-5/8 x 31 -/4		Quiet Mode	Yes		
Net Weight	lbs	71		Room Temperature Display	No		
Gross Weight	lbs	84		Sleep Mode (Normal Sleep)	Yes		
REFRIGERANT PIPING				4 Sleep Mode Options	No		
Line Set Size by Indoor Unit (Liquid - Gas)	in	1/4 - 3/8		Timer Mode	Yes		
ELECTRICAL				Turbo Mode	Yes		
Power Supply	208-230V / 1Ph / 60Hz (Powered by the Outdoor Unit)			Display On/Off Control	No		
				Freeze Guard Mode	Yes		
				Power Failure Mode	Yes		

FAN PERFORMANCE



NOTE:

During installation there are 9 dip switches in the control box used set static pressure from 0" to .6". You can select P01, P02, P03, P04, P05, P06, P07, P08, P09 in fan mode of indoor fan motor, which means different fan mode combinations are corresponding to different static pressure.

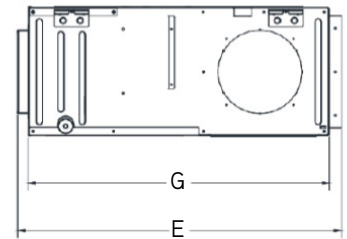
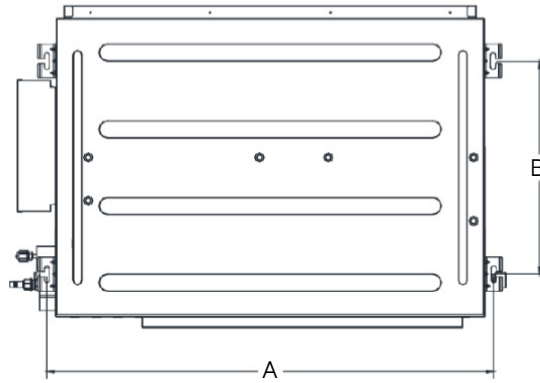
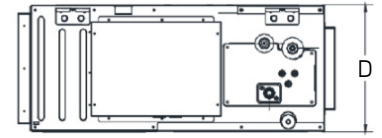
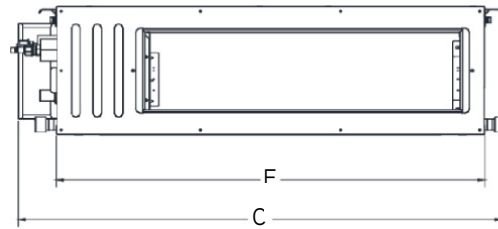
Ex-factory defaulted mode is P05. You can set the mode through wired controller. S01, S02, S03.....S12, S13 means the rotation speed of indoor unit is from low to high.

DIMENSIONS & CLEARANCES

INDOOR UNIT

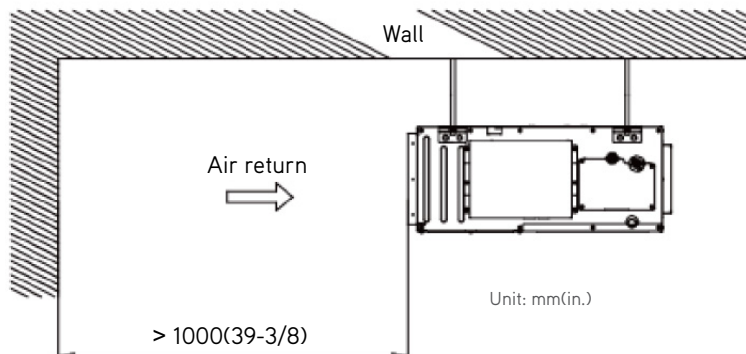
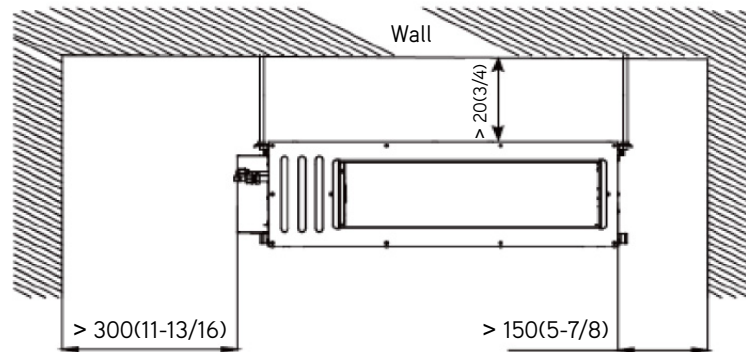
Unit: inch

DUCT09HP230V1BD	
DIMENSIONS	
A	29-18
B	19-3/4
C	32-11/16
D	11-7/8
E	29-11/16
F	27-5/8
G	28-5/8



INDOOR UNIT

Minimum clearance



Specifications are subject to change without notice. Manufacturer reserves the right to discontinue or modify specifications or designs without notice or without incurring obligations. All Rights reserved.

GREECOMFORT.COM/SYSTEM-DOCUMENTATION