



# PARTS MANUAL

## Slim Duct B Series

### MODELS:

DUCT09HP230V1BD  
DUCT12HP230V1BD  
DUCT18HP230V1BD  
DUCT24HP230V1BD

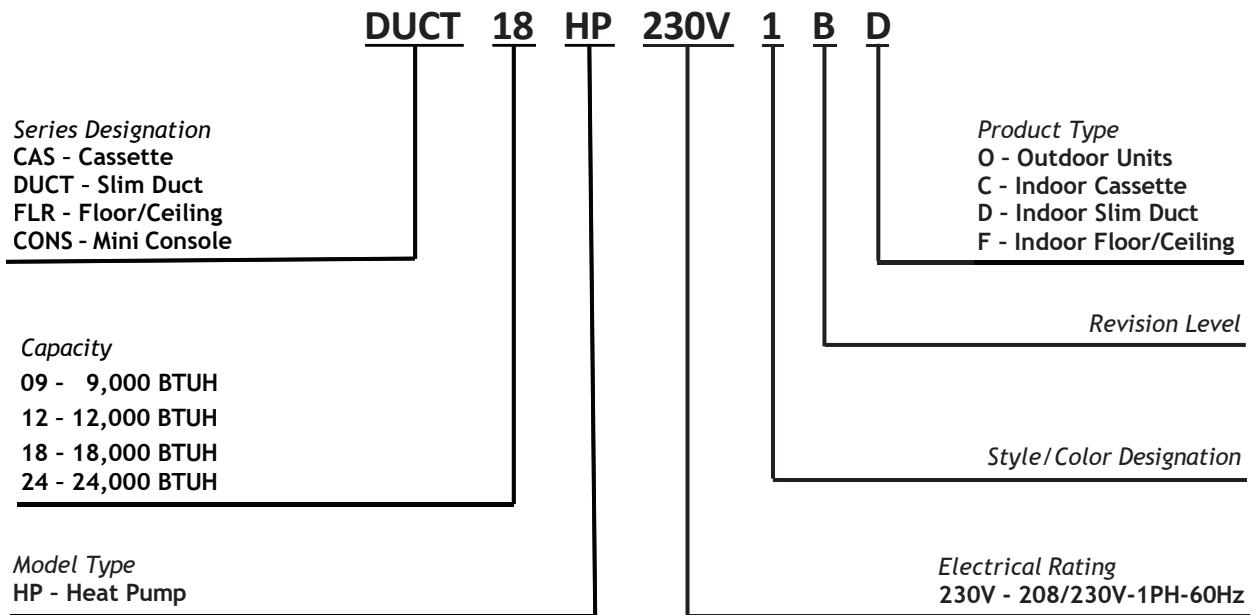
Thank you for choosing our product.  
Please read this Parts Manual carefully before operation and  
retain it for future reference.

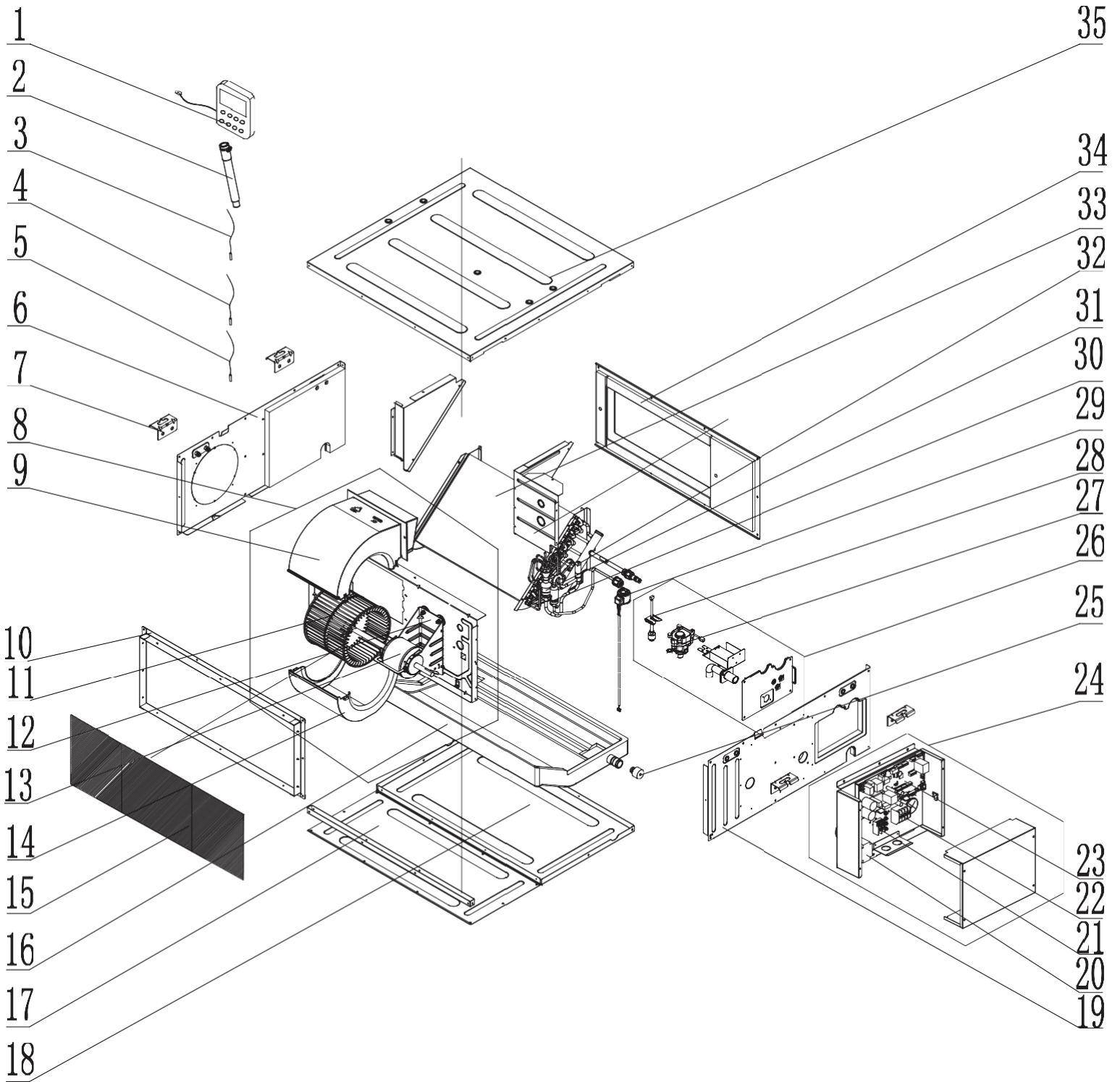
If you lose this Manual, please contact your local distributor or  
visit [www.greecomcomfort.com/resources](http://www.greecomcomfort.com/resources) now to download and  
file the electronic version.



# Nomenclature

## EXAMPLE: DUCT18HP230V1BD

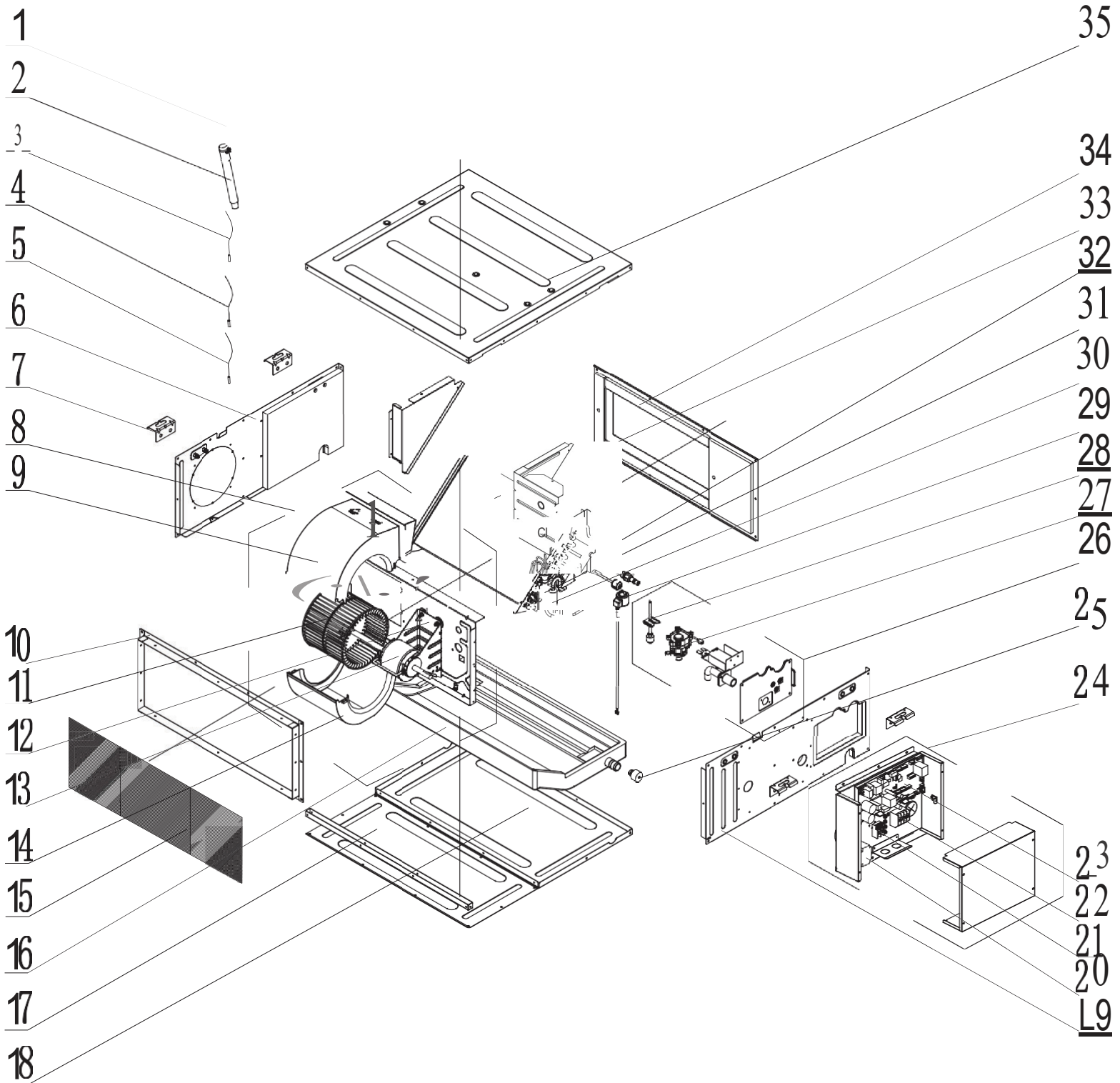






## DUCT09HP230V1BD

NO.	Part Description	Qty	Part Code
1	Display Board	1	30564103
2	Drain Hose Sub-Assy	1	05232050
3	Temperature Sensor	1	390000451
4	Temperature Sensor	1	390000592
5	Temperature Sensor	0	N/A
6	Right Side Plate Assy	1	01315200148
7	Hook	4	02112466
8	Centrifugal fan Assy	1	000052060068
9	Propeller Housing (Upper)	1	26905200078
10	Return Air Frame Sub-Assy	1	017026000004
11	Centrifugal Fan	1	10455200003
12	Supporter (Fan motor)	1	0180520027201
13	Brushless DC Motor	1	1570520000502
14	Propeller Housing (Lower)	1	26905200079
15	Filter Sub-Assy	1	111001000055
16	Foam Sub-Assy	1	12505200038
17	Cover Of Air-In	1	01265200182
18	Bottom Cover Plate	1	01265200181
19	Left Side Plate Assy	1	01315200147
20	Inductance	0	N/A
21	Terminal Board	0	N/A
22	Terminal Board	1	420001000002
23	Main Board	1	300002000879
24	Electric Box Assy	1	100002060632
25	Choke Plug of Drainpipe	2	76815214
26	Seal plate Assy	1	01495200079
27	Water Pump	1	43138000058
28	Water Level Switch	1	45020216
29	Electric Expand Valve Fitting	0	N/A
30	Filter	0	N/A
31	Strainer	0	N/A
32	Electronic Expansion Valve	0	N/A
33	Evaporator Assy	1	011001060108
34	Air Outlet Frame Assy	1	01374100070
35	Top Cover Board Assy	1	01264100081



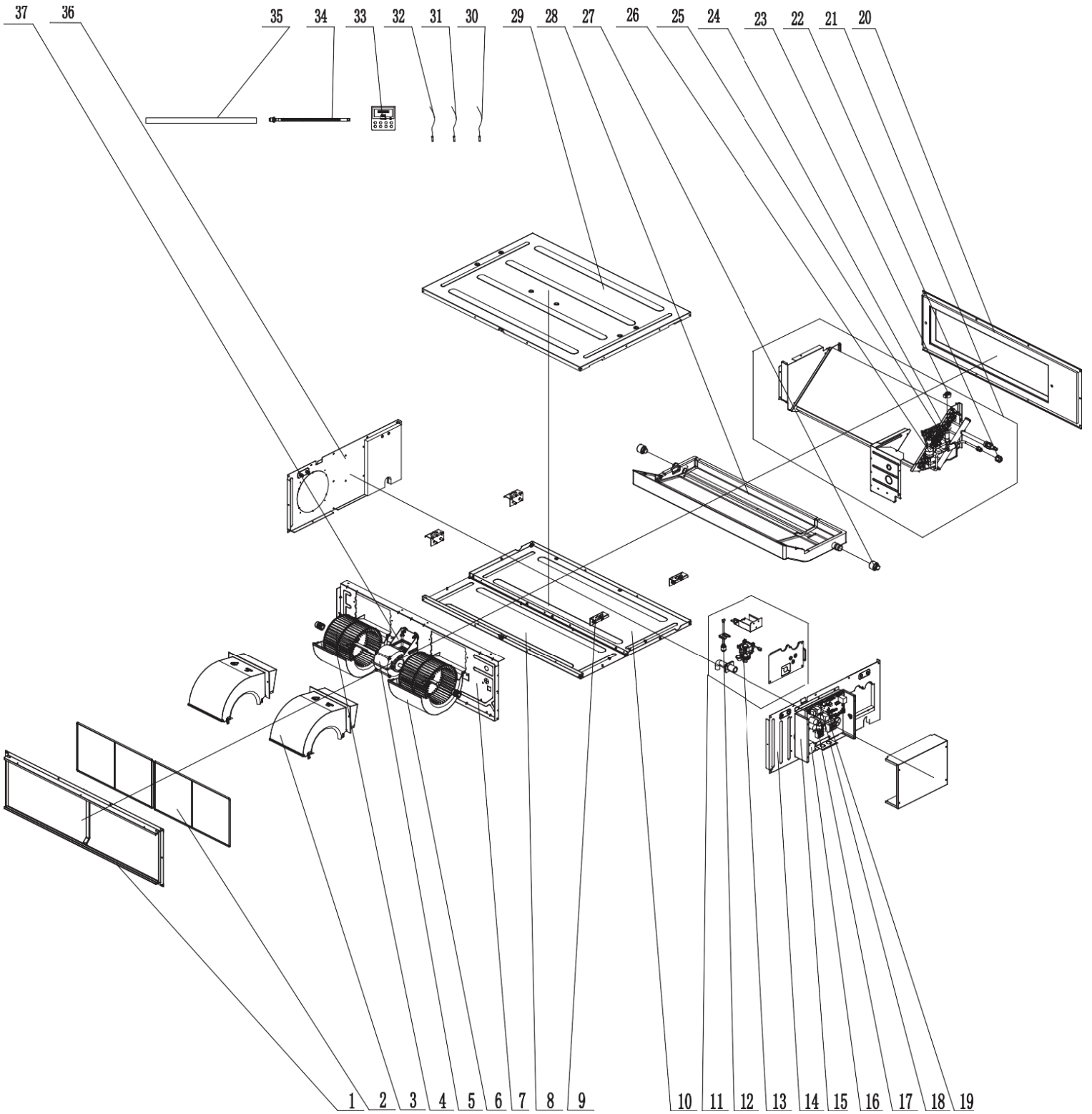


## DUCT12HP230V1BD

NO.	Part Description	Qty	Part Code
1	Display Board	1	30564103
2	Drain Hose Sub-Assy	1	05232050
3	Temperature Sensor	1	390000451
4	Temperature Sensor	1	390000592
5	Temperature Sensor	0	N/A
6	Right Side Plate Assy	1	01315200148
7	Hook	4	02112466
8	Centrifugal fan Assy	1	000052060068
9	Propeller Housing (Upper)	1	26905200078
10	Return Air Frame Sub-Assy	1	017026000004
11	Centrifugal Fan	1	104552000003
12	Supporter (Fan motor)	1	0180520027201
13	Brushless DC Motor	1	1570520000502
14	Propeller Housing (Lower)	1	269052000079
15	Filter Sub-Assy	1	111001000055
16	Foam Sub-Assy	1	125052000038
17	Cover Of Air-In	1	01265200182
18	Bottom Cover Plate	1	01265200181
19	Left Side Plate Assy	1	01315200147
20	Inductance	0	N/A
21	Terminal Board	0	N/A
22	Terminal Board	1	420001000002
23	Main Board	1	300002000879
24	Electric Box Assy	1	100002060632
25	Choke Plug of Drainpipe	2	76815214
26	Seal plate Assy	1	014952000079
27	Water Pump	1	43138000058
28	Water Level Switch	1	45020216
29	Electric Expand Valve Fitting	0	N/A
30	Filter	0	N/A
31	Strainer	0	N/A
32	Electronic Expansion Valve	0	N/A
33	Evaporator Assy	1	011001060107
34	Air Outlet Frame Assy	1	01374100070
35	Top Cover Board Assy	1	01264100081



# DUCT18HP230V1BD





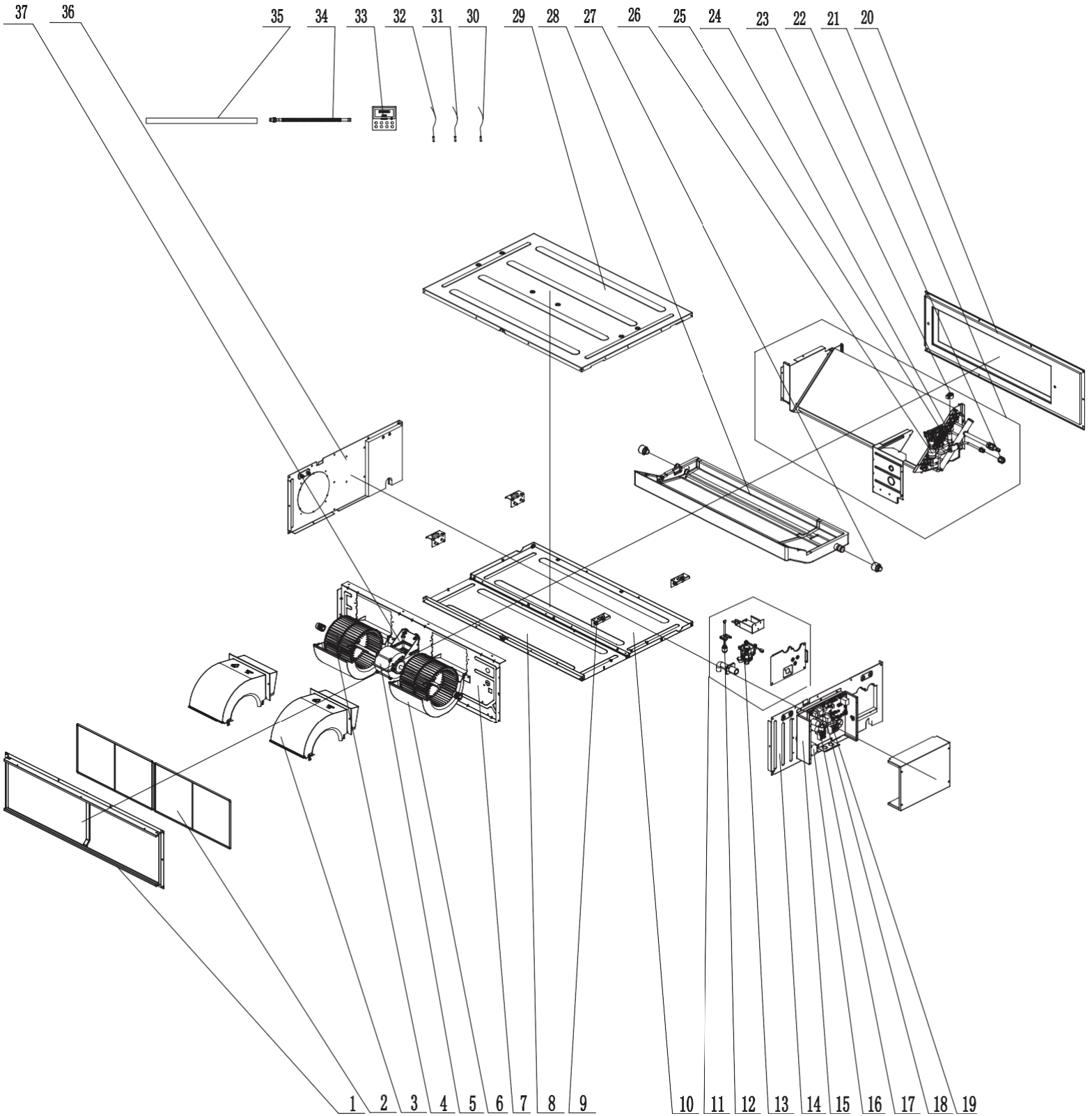
## DUCT18HP230V1BD

NO.	Part Description	Qty	Part Code
1	Return Air Frame Sub-Assy	1	017026000002
2	Filter Sub-Assy	2	111001000045
3	Propeller Housing (Upper)	2	26905200078
4	Centrifugal Fan	2	10455200003
5	Brushless DC Motor	1	15705200016
6	Propeller Housing (Lower)	2	26905200079
7	Blower Mounting Plate Sub-Assy	1	01325200079
8	Cover Of Air-In	1	01265200132
9	Hook	4	02112466
10	Bottom Cover Plate	1	01265200131
11	Seal plate Assy	1	01495200079
12	Water Level Switch	1	45020216
13	Water Pump	1	43138000058
14	Left Side Plate Assy	1	01315200147
15	Electric Box Assy	1	100002060632
16	Inductance	0	N/A
17	Terminal Board	0	N/A
18	Main Board	1	300002000879
19	Terminal Board	1	420001000002
20	Air Outlet Frame Assy	1	01375200026
21	Evaporator Assy	1	011001060100
22	Sealing Cap (Pressure Warning)	1	2611219201
23	Electric Expand Valve Fitting	0	N/A
24	Electronic Expansion Valve	0	N/A
25	Strainer	0	N/A
26	Filter	0	N/A
27	Choke Plug of Drainpipe	2	76815214
28	Foam Sub-Assy	1	12505200025
29	Top Cover Board Assy	1	01265200130
30	Temperature Sensor	0	N/A
31	Temperature Sensor	1	390000592
32	Temperature Sensor	1	390000451
33	Display Board	1	30564103
34	Pipe	1	05015408
35	Drain Hose Sub-Assy	1	05232050
36	Right Side Plate Assy	1	01315200148
37	Supporter (Fan motor)	1	0180520027201





# DUCT24HP230V1BD





## DUCT24HP230V1BD

NO.	Part Description	Qty	Part Code
1	Return Air Frame Sub-Assy	1	017026000002
2	Filter Sub-Assy	2	111001000045
3	Propeller Housing (Upper)	2	26905200078
4	Centrifugal Fan	2	10455200003
5	Brushless DC Motor	1	15705200016
6	Propeller Housing (Lower)	2	26905200079
7	Blower Mounting Plate Sub-Assy	1	01325200079
8	Cover Of Air-In	1	01265200132
9	Hook	4	02112466
10	Bottom Cover Plate	1	01265200131
11	Seal plate Assy	1	01495200079
12	Water Level Switch	1	45020216
13	Water Pump	1	43138000058
14	Left Side Plate Assy	1	01315200147
15	Electric Box Assy	1	100002060632
16	Inductance	0	none
17	Terminal Board	0	none
18	Main Board	1	300002000879
19	Terminal Board	1	420001000002
20	Air Outlet Frame Assy	1	01375200026
21	Evaporator Assy	1	011001060100
22	Sealing Cap (Pressure Warning)	1	2611219201
23	Electric Expand Valve Fitting	0	none
24	Electronic Expansion Valve	0	none
25	Strainer	0	none
26	Filter	0	none
27	Choke Plug of Drainpipe	2	76815214
28	Foam Sub-Assy	1	12505200025
29	Top Cover Board Assy	1	01265200130
30	Temperature Sensor	0	none
31	Temperature Sensor	1	390000592
32	Temperature Sensor	1	390000451
33	Display Board	1	30564103
34	Pipe	1	05015408
35	Drain Hose Sub-Assy	1	05232050
36	Right Side Plate Assy	1	01315200148
37	Supporter (Fan motor)	1	0180520027201



U.S. CONTACT INFORMATION TRADEWINDS, LLC

E-mail: [info@twclimate.com](mailto:info@twclimate.com)

Contractor Support: 888-850-7928 | Mon-Fri 8 AM - 5 PM EDT

GREE ELECTRIC APPLIANCES INC.OF ZHUHAI  
GREECOMFORT.COM