

# PARTS MANUAL

## U-MATCH B SERIES

WITH HIGH-STATIC B SERIES SLIM DUCT  
DUCTED STYLE INDOOR UNITS



### U-MATCH SERIES DC INVERTER AIR CONDITIONERS SERVICE MANUAL

T1/R410A/60Hz  
(GC201604 - I)

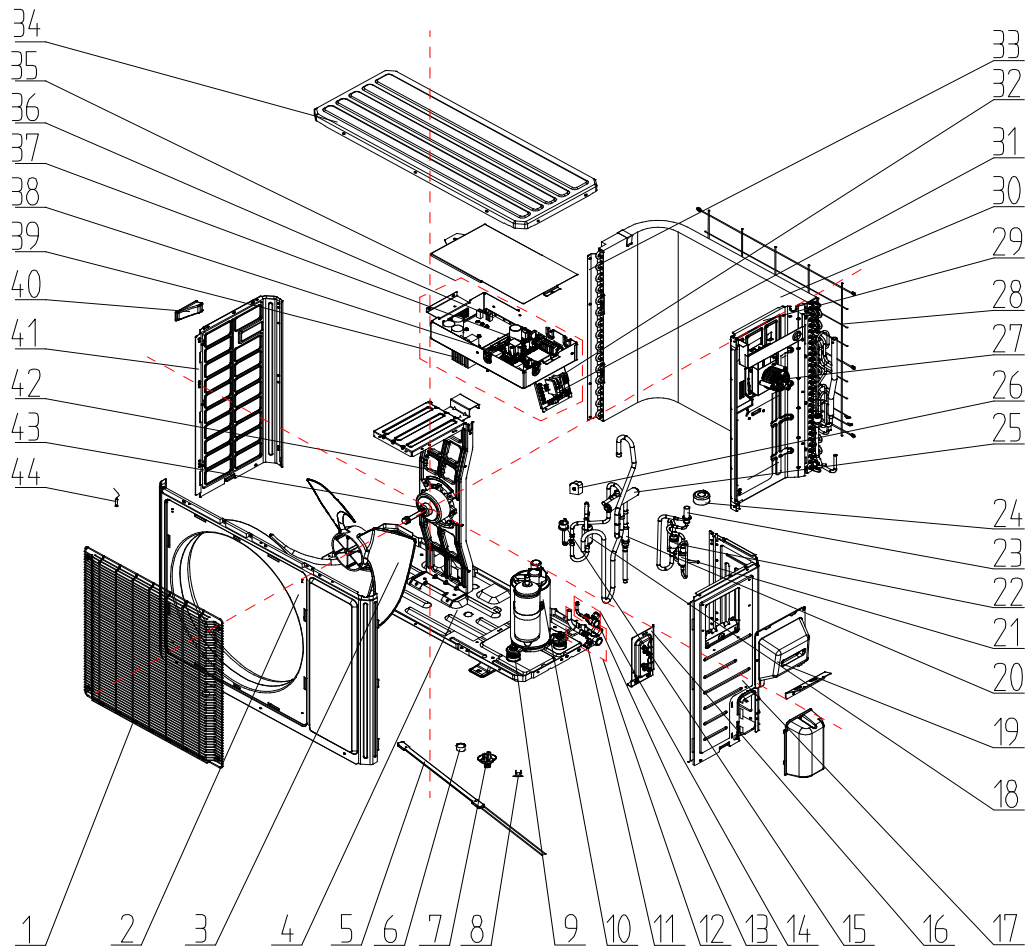
# CONTENTS

<b>5 EXPLODED VIEWS AND SPARE PART LIST .....</b>	<b>2-19</b>
<b>5.1 Outdoor Unit .....</b>	<b>2-11</b>
UMAT18HP230V1BO Exploded Views and spare parts list:.....	2-3
UMAT24HP230V1BO Exploded Views and spare parts list:.....	4-5
UMAT30HP230V1BO Exploded Views and spare parts list:.....	6-7
UMAT36HP230V1BO Exploded Views and spare parts list:.....	8-9
UMAT42HP230V1BO Exploded Views and spare parts list:.....	10-11
UMAT48HP230V1BO Exploded Views and spare parts list:.....	10-11
<b>5.2 Indoor Unit .....</b>	<b>12-19</b>
UMAT18HP230V1BD Exploded Views and spare parts list:.....	12-13
UMAT24HP230V1BD Exploded Views and spare parts list:.....	14-15
UMAT30HP230V1BD Exploded Views and spare parts list:.....	14-15
UMAT36HP230V1BD Exploded Views and spare parts list:.....	16-17
UMAT42HP230V1BD Exploded Views and spare parts list:.....	18-19
UMAT48HP230V1BD Exploded Views and spare parts list:.....	18-19

# 5 EXPLODED VIEWS AND SPARE PART LIST

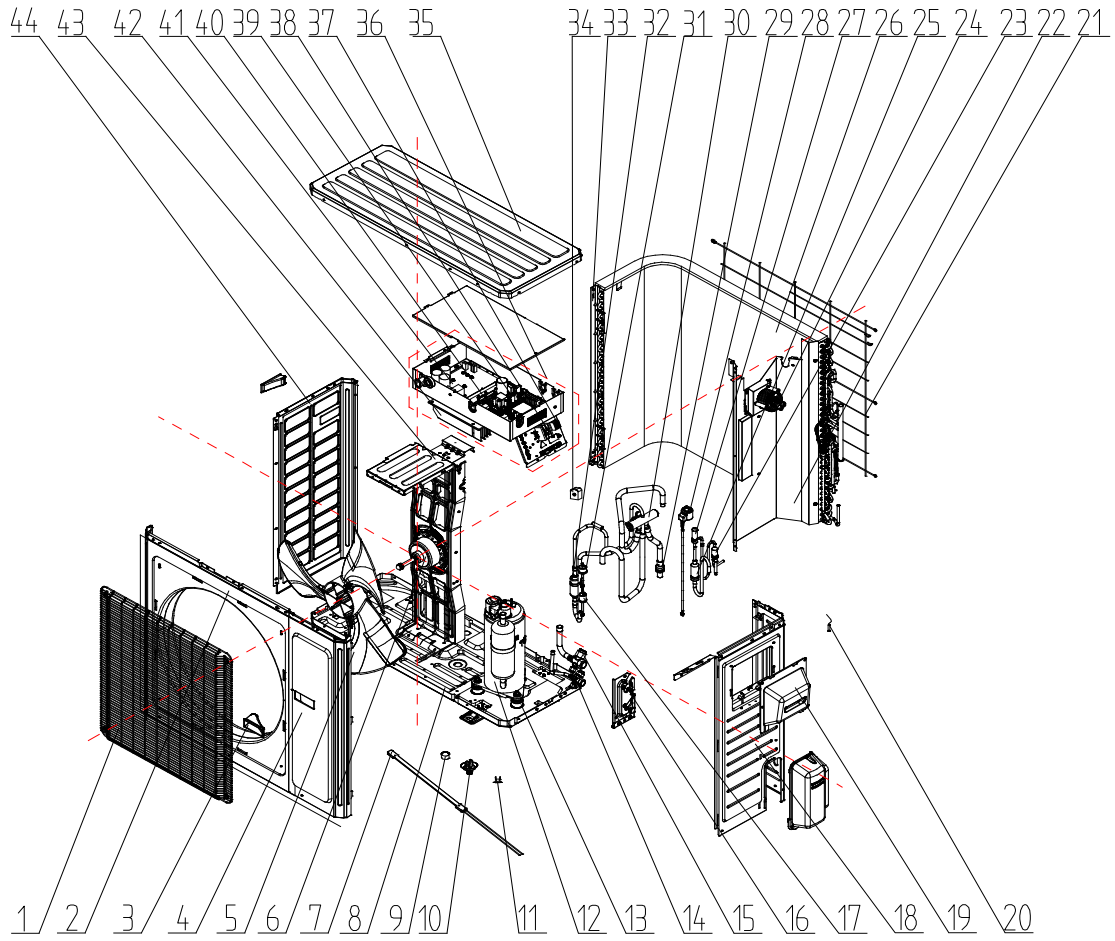
## 5.1 Outdoor Unit

Model: UMAT18HP230V1BO Exploded Views and spare parts list:



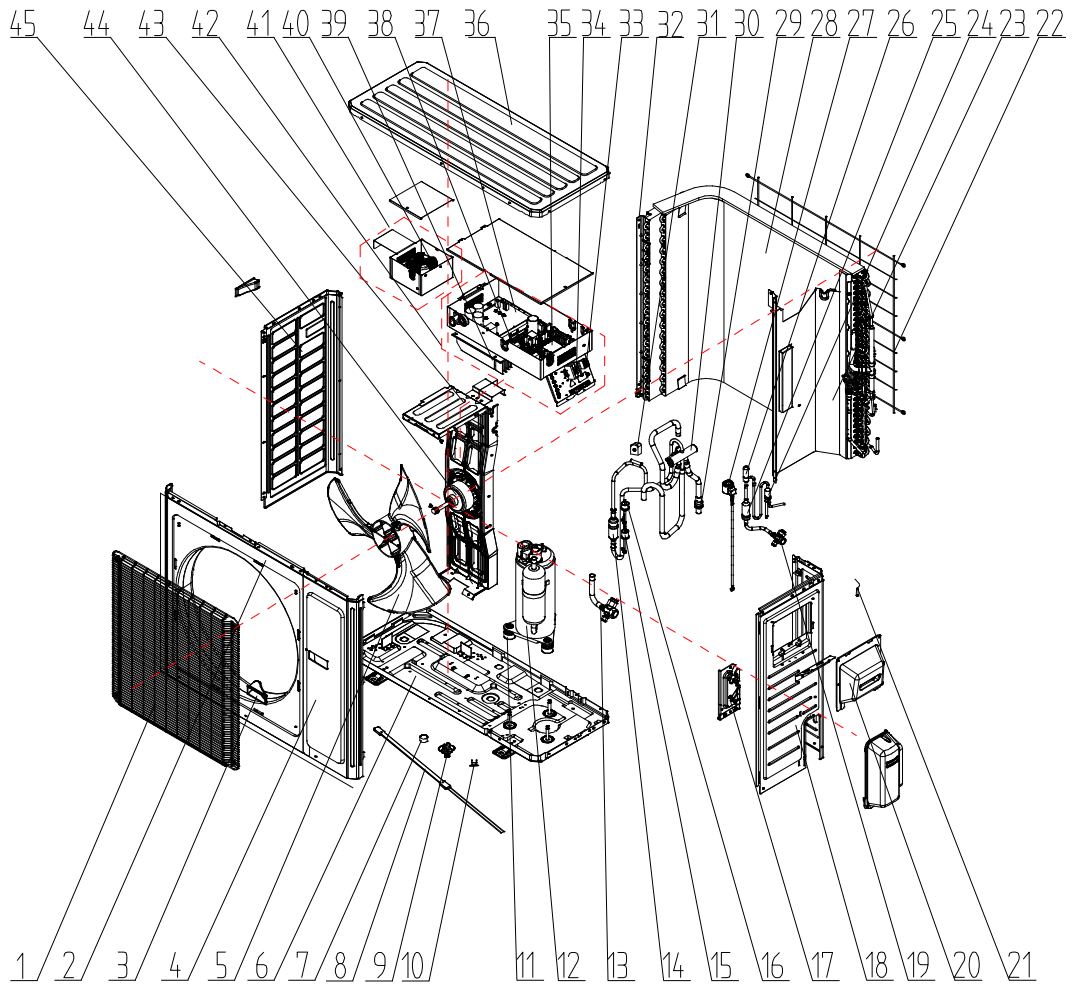
NO.	Name of Part	UMAT18HP230V1BO	
		Product Code	CF090W1040
		Part Code	Quantity
1	Front Grill	01473049	1
2	Front Panel	01535013P	1
3	Axial Flow Fan	10335008	1
4	Chassis Sub-assy	01195200028P	1
5	Electrical Heater	7651300403	1
6	Drainage hole Cap	06813401	3
7	Drainage Connector	06123401	1
8	Compressor Overload Protector(External)	00180030 / 00183051 / 00183032 / 00183031	1
9	Compressor Gasket	76710247	3
10	Compressor and Fittings	00105249G	1
11	Cut off Valve	071302392	1
12	Cut off Valve Sub-Assy	07133060	1
13	Cut off Valve	07130239	1
14	Cut off Valve Sub-Assy	07335200016	1
15	Pressure Protect Switch	46020003	1
16	Valve Support Assy	01715010P	1
17	Right Side Plate	0130509403P	1
18	Silencer	07245007	1
19	Handle Assy	02113109	1
20	Strainer	07212403	1
21	Strainer	07220019	1
22	Strainer	0721004501	1
24	Electric Expand Valve Fitting	4300876704	1
23	Electronic Expansion Valve	07134601	1
25	4-Way Valve	430004032	1
26	Magnet Coil	4300040045	1
27	Inductance	4312002001	1
28	Rear Grill	01473043	1
29	Clapboard Sub-Assy	01232902	1
30	Condenser Assy	01125200189	1
31	Terminal Board	420111451	1
32	Terminal Board	420101852	1
33	Supporting Board(Condenser)	01795010	1
34	Coping	01255005P	1
35	Electric Box Assy	01395200177	1
36	Main Board	30224000024	1
37	Main Board	30221000009	1
38	Filter Board	30221000008	1
39	Radiator	49018000044	1
40	Left Handle	26235401	1
41	Left Side Plate	01305093P	1
42	Motor Support Assy	01805200173	1
43	Fan Motor	1570280204	1
44	Temperature Sensor	3900028020G	1

Model: UMAT24HP230V1BO Exploded Views and spare parts list:



NO.	Name of Part	UMAT24HP230V1BO	
		Product Code	CF090W1060
		Part Code	Quantity
1	Front Grill	01473050	1
2	Cabinet	01435004P	1
3	Left Handle	26235401	2
4	Front Side Plate	01305086P	1
5	Axial Flow Fan	10335014	1
6	Fan Motor	15702802	1
7	Electrical Heater(Compressor)	7651873209	1
8	Chassis Sub-assy	0119520001301P	1
9	Drainage hole Cap	06813401	3
10	Drainage Connector	06123401	1
11	Compressor Overload Protector(External)	00180030 / 00183051 / 00183032 / 00183031	1
12	Compressor and Fittings	0010505701	1
13	Compressor Gasket	76713066	3
14	Valve	07100005	1
15	Cut off Valve	07133157	1
16	Valve Support Sub-Assy	0171501201P	1
17	Pressure Protect Switch	4602000902	1
18	Right Side Plate Sub-Assy	01315200069P	1
19	Handle Assy	02113109	1
20	Temperature Sensor	3900028020G	1
21	Rear Grill	01475013	1
22	Clapboard Sub-Assy	01245200010	1
23	Strainer	07225088	1
24	PFC Inductance	43128003	1
25	Bidirection Strainer	07220016	1
26	Condenser Assy	01125200184	1
27	Electronic Expansion Valve	07334447	1
28	Electric Expand Valve Fitting	4304413208	1
29	Strainer	07215201	1
31	Pressure Protect Switch	46020003	1
30	4-way Valve	4300008201	1
32	Silencer	07245012	1
33	Condenser Support Plate	01175092	1
34	Magnet Coil	4300040045	1
35	Top Cover Sub-Assy	01255007	1
36	Electric Box Assy	01395200173	1
38	Terminal Board	420111451	1
37	Terminal Board	420101852	1
39	Main Board	30224000026	1
41	Main Board	30221000010	1
40	Filter Board	30221000007	1
42	Radiator	49018000042	1
43	Motor Support Assy	01805200166	1
44	Left Side Plate	01305043P	1

Model: UMAT30HP230V1BO Exploded Views and spare parts list:

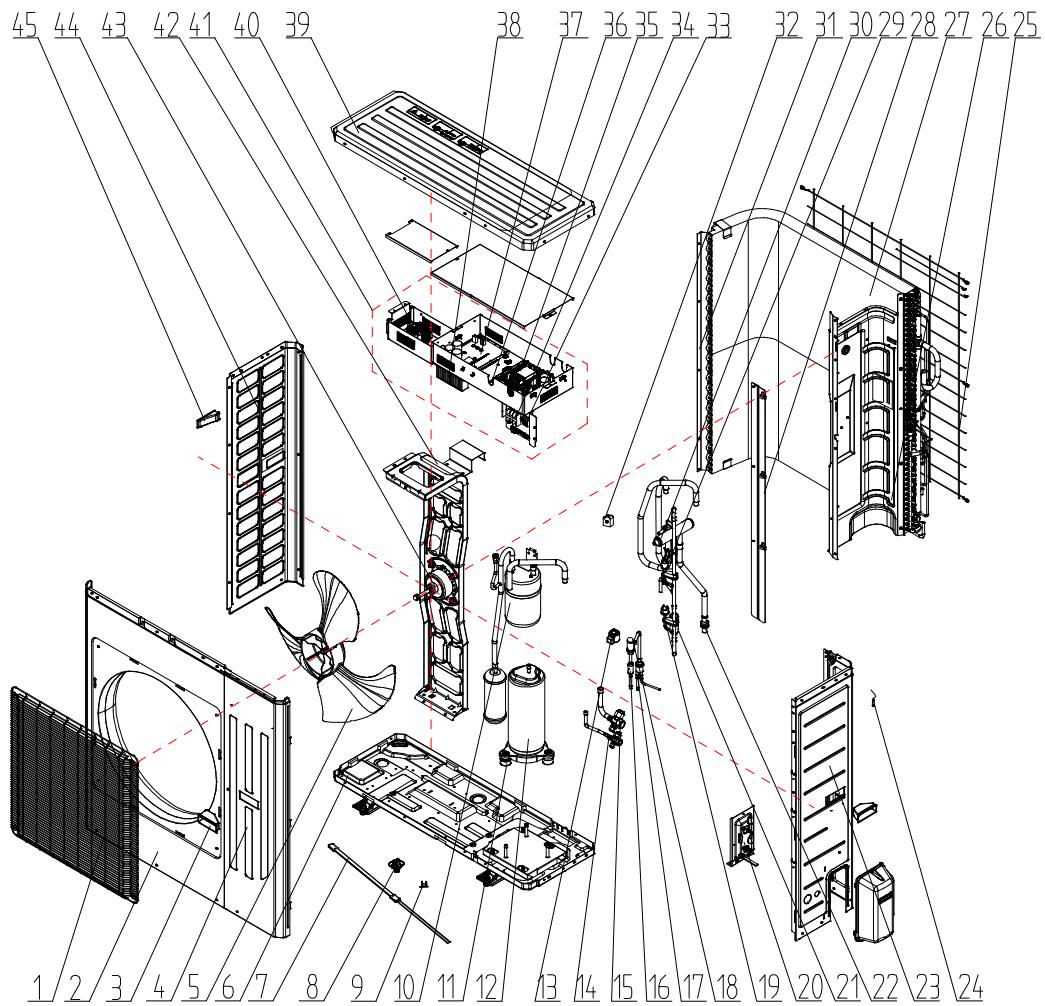


NO.	Name of Part	UMAT30HP230V1BO	
		Product Code	CF090W1050
		Part Code	Quantity
1	Front Grill	01473050	1
2	Cabinet	01435004P	1
3	Left Handle	26235401	2
4	Front Side Plate	01305086P	1
5	Axial Flow Fan	10335014	1
6	Chassis Sub-assy	01195200013P	1
7	Drainage hole Cap	06813401	3
8	Electrical Heater(Compressor)	7651873209	1
9	Drainage Connector	06123401	1
10	Compressor Overload Protector(External)	00180030 / 00183051 / 00183032 / 00183031	1
11	Compressor Gasket	76713066	3
12	Compressor and Fittings	0010505701	1
13	Cut off Valve	07133157	1
14	Silencer	07245012	1
15	Pressure Protect Switch	4602000902	1
16	Pressure Protect Switch	46020003	1
17	Valve Support Sub-Assy	0171501201P	1
18	Right Side Plate Sub-Assy	01315200069P	1
19	Cut off Valve	071302391	1
20	Handle Assy	02113109	1
21	Temperature Sensor	3900028020G	1
22	Rear Grill	01475013	1
23	Clapboard Sub-Assy	01245200006	1
24	Strainer	07225088	1
25	Bidirection Strainer	07220016	1
26	Electronic Expansion Valve	07334447	1
27	Electric Expand Valve Fitting	4304413208	1
28	Condenser Assy	01125200182	1
29	Strainer	07215201	1
30	4-way Valve	4300008201	1
31	Magnet Coil	4300040045	1
32	Condenser Support Plate	01175092	1
33	Terminal Board	420101852	1
34	Terminal Board	420111451	1
35	Main Board	30224000026	1
36	Top Cover Sub-Assy	01255007	1
37	Main Board	30221000010	1



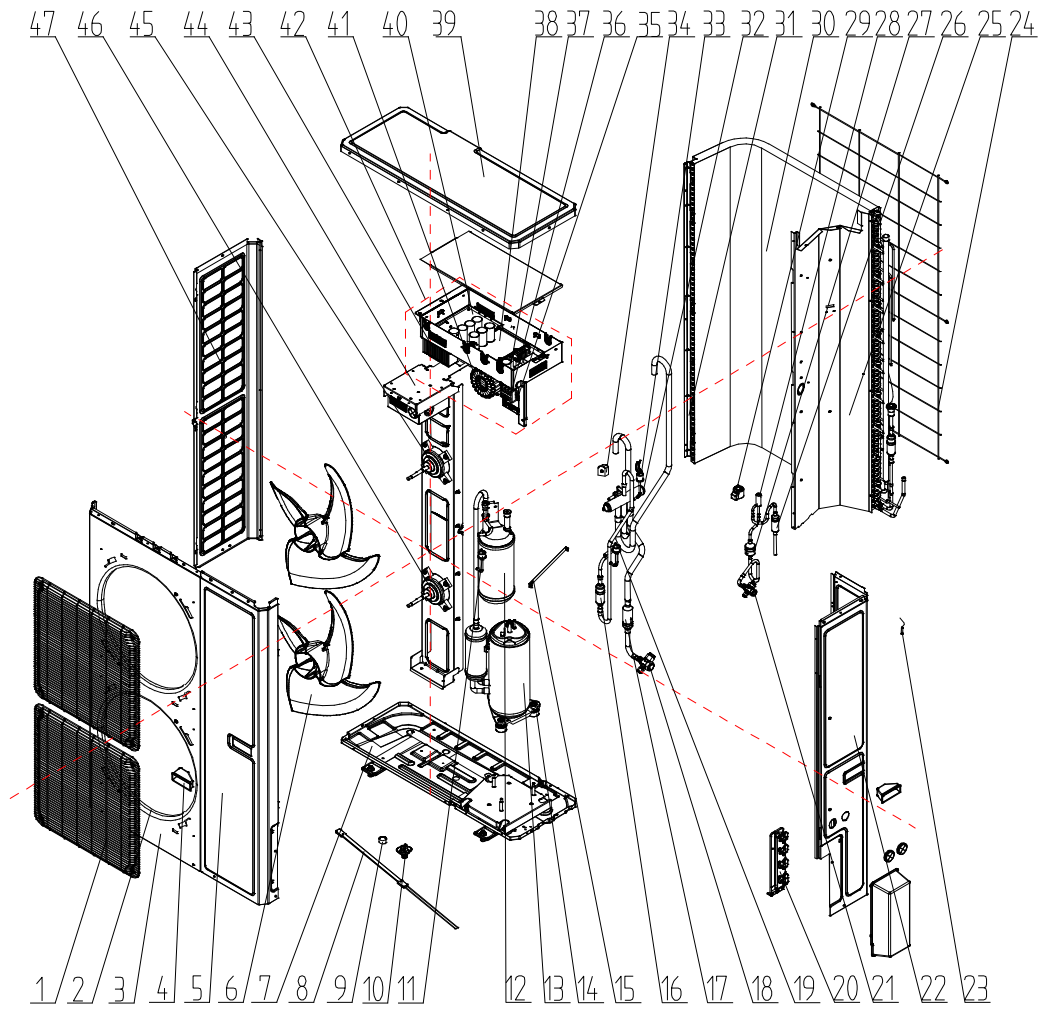
38	Filter Board	3022100007	1
39	Radiator	4901800042	1
40	PFC Inductance	43128003	1
41	Inductance Box Sub-assy	01395200176	1
42	Electric Box Assy	01395200488	1
43	Motor Support Assy	01805200160	1
44	Fan Motor	15702802	1
45	Left Side Plate	01305043P	1

Model: UMAT36HP230V1BO Exploded Views and spare parts list:



NO.	Name of Part	UMAT36HP230V1BO	
		Product Code	CF090W1030
		Part Code	Quantity
1	Front Grill	01574106	1
2	Cabinet	01435007P	1
3	Handle	26235253	2
4	Front Side Plate Sub-Assy	01305508	1
5	Axial Flow Fan	10335010	1
6	Chassis Sub-assy	01195244P	1
7	Electrical Heater(Compressor)	7651873209	1
8	Drainage Joint	26113009	1
9	Compressor Overload Protector(External)	00180030 / 00183051 / 00183032 / 00183031	1
10	Gas-liquid Separator Sub-Assy	07255201	1
11	Compressor Gasket	76713066	3
12	Compressor	00205200003	1
13	Electric Expand Valve Fitting	4300010839	1
14	Cut off Valve	071302391	1
15	Cut off Valve	07133157	1
16	Strainer	07213032	1
17	Strainer	07210045	1
18	Electronic Expansion Valve	07334194	1
19	Pressure Protect Switch	46020003	1
20	Pressure Protect Switch	4602000902	1
21	Valve Support Sub-Assy	01805200222P	1
22	Silencer	07245012	1
23	Strainer	07215201	1
24	Right Side Plate Sub-Assy	0131520006801P	1
25	Temperature Sensor	39008000049G	1
26	Rear Grill	01475012	1
27	Clapboard Sub-Assy	0124525303	1
28	Condenser Assy	01125200196	1
29	Baffle Plate Sub-assy	01355200016P	1
30	4-way Valve	43000338	1
31	Condenser support plate	01895242	1
32	Magnet Coil	4300040045	1
33	Terminal Board	42011242	1
34	Terminal Board	420101852	1
35	Main Board	30221000003	1
36	Main Board	30224000037	1
37	Filter Board	30221000007	1
38	Radiator	49018000047	1
39	Top Cover	0125500901P	1
40	PFC Inductance	43120011	1
41	Electric Box Assy	01395200489	1
42	Motor Support Sub-assy	01805200190	1
43	Fan Motor	1570280201	1
44	Left Side Plate	01305064P	1
45	Left Handle	26235401	1

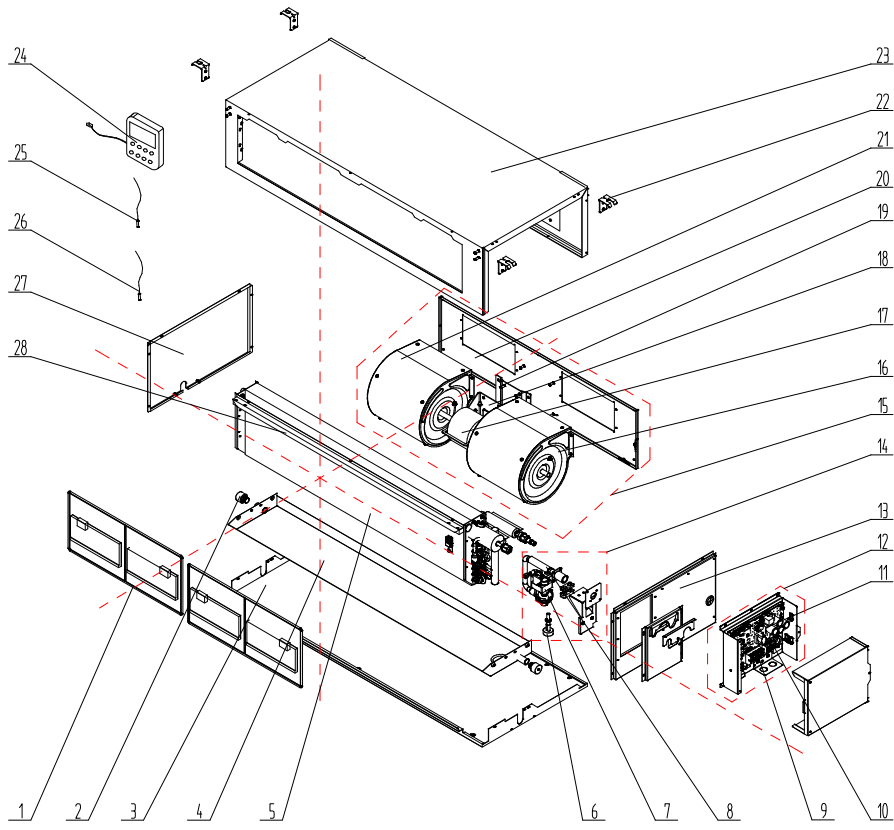
Model: UMAT42HP230V1BO /UMAT48HP230V1BO Exploded Views and spare parts list:



NO.	Name of Part	UMAT42HP230V1BO/UMAT48HP230V1BO	
		Product Code	CF090W1020/CF090W1070
		Part Code	Quantity
1	Front Grill	01574100009	2
2	Diversion Circle	10474100001	2
3	Cabinet Assy	01514100006	1
4	Handle	26235253	2
5	Front Side Plate	01314100021P	1
6	Axial Flow Fan	10434100003	2
7	Chassis Sub-assy	01195200020P	1
8	electrical heater	765152123	1
9	Drainage hole Cap	06813401	3
10	Drainage Connector	06123401	1
11	Pressure Protect Switch	46020007	1
12	Gas-liquid Separator Sub-Assy	0722501801	1
13	Compressor	00204100001	1
14	Compressor Gasket	76710247	3
15	Wire Clamp	02145008	1
16	Silencer	07245012	2
17	Strainer	07411100014	1
18	Cut off Valve	07133844	1
19	Pressure Protect Switch	46020003	1
20	Valve Support Sub-Assy	01805200204P	1
21	Cut off Valve	07130209	1
22	Rear Side Plate Sub-Assy	01315200088P	1
23	Temperature Sensor	3900028025G	1
24	Rear Grill	01574100004	1
25	Clapboard	0124520000701	1
26	Bidirection Strainer	07220016	1
27	Strainer	07415210	1
28	Electronic Expansion Valve	07135176	1
29	Electric Expand Valve Fitting	43000344	1
30	Condenser Assy	01125200213	1
31	Supporting Strip	01894100026	1
32	4-way Valve	43000338	1
33	Pressure Protect Switch	4602000902	1
34	Magnet Coil	4300040032	1
35	Terminal Board	420101852	1
36	Terminal Board	42011242	1
37	Main Board	30224000035	1
38	Filter Board	30228000006	1
39	Coping	01264100008P	1
40	Main Board	30228000005	1
41	PFC Inductance	43128000015	1
42	Electric Box Assy	01395200485	1
43	Radiator	49018000052	1
45	Fan Motor	15704115	1
46	Fan Motor	1570411501	1
47	Left Side Plate	01314100013P	1

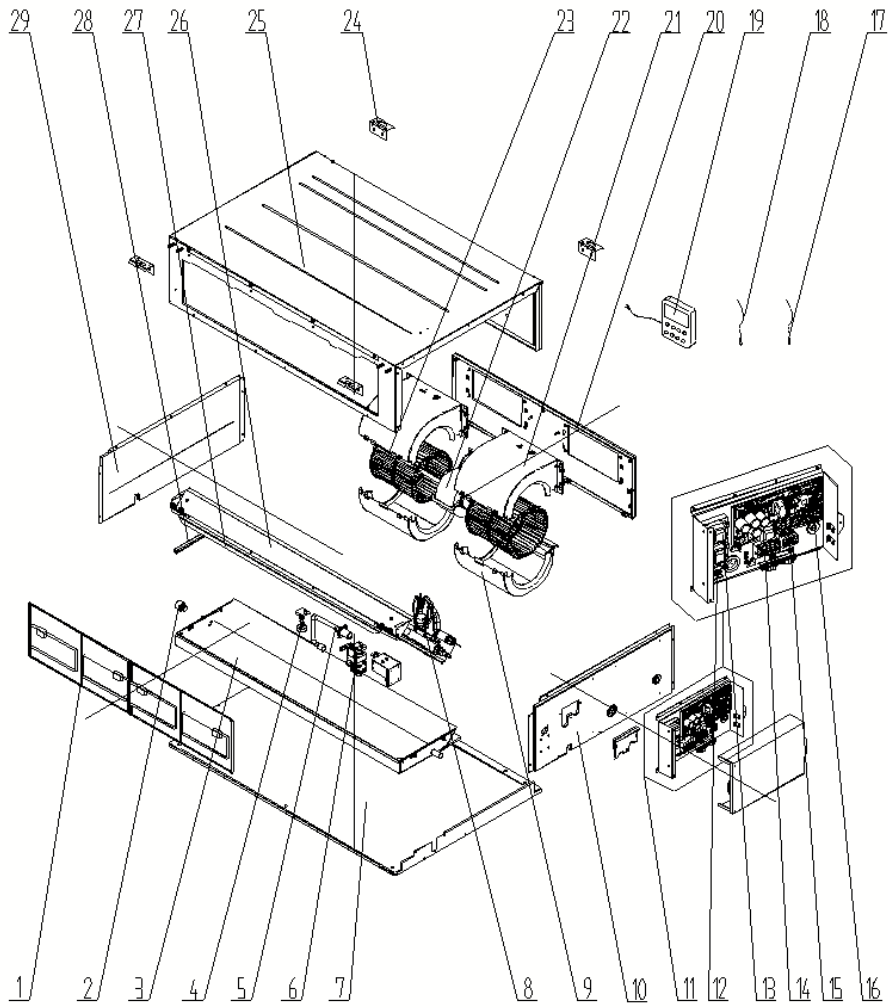
# 5.2 Indoor Unit

Model: UMAT18HP230V1BD (with water pump) exploded view and spare parts list



NO.	Name of Part	UMAT18HP230V1BD	
		Product Code	CF022N0950
		Part Code	Quantity
1	Filter Sub-Assy	11125303	2
2	Choke Plug of Drain Pipe	76712455	2
3	Lower Cover Plate Sub-Assy	01265304	1
4	Water Tray Assy	01285317	1
5	Evaporator Assy	01025200050	1
6	Water Level Switch	450127011	1
7	Water Pump	43138220	1
8	Pump Drainpipe	05235301	1
9	Terminal Board	42010194	1
10	Terminal Board	4201025301	1
11	Main Board	30224000030	1
12	Electric Box Assy	01395200453	1
13	Right Side Plate Sub-Assy	01315200057	1
14	Water Pump Assy	15405392	1
15	Centrifugal fan assy	15405200029	1
16	Blower	15012458	1
17	Brushless DC Motor	15705200006	1
18	Supporter	01804100140	1
19	Support Sub-assy	01805200164	1
20	Blower Mounting Plate Sub-Assy	01325200039	1
21	Blower	15012454	1
22	Hook	02112446	4
23	Top Cover Board Assy	01265226	1
24	Display Board	30294000007	1
25	Ambient Temperature Sensor	3900012123	1
26	Tube sensor	3900012128	1
27	Left Side Plate Assy	01314155	1
28	filter guide groove sub-assy	02285301	1

Model: UMAT24HP230V1BD/UMAT30HP230V1BD exploded view and spare parts list

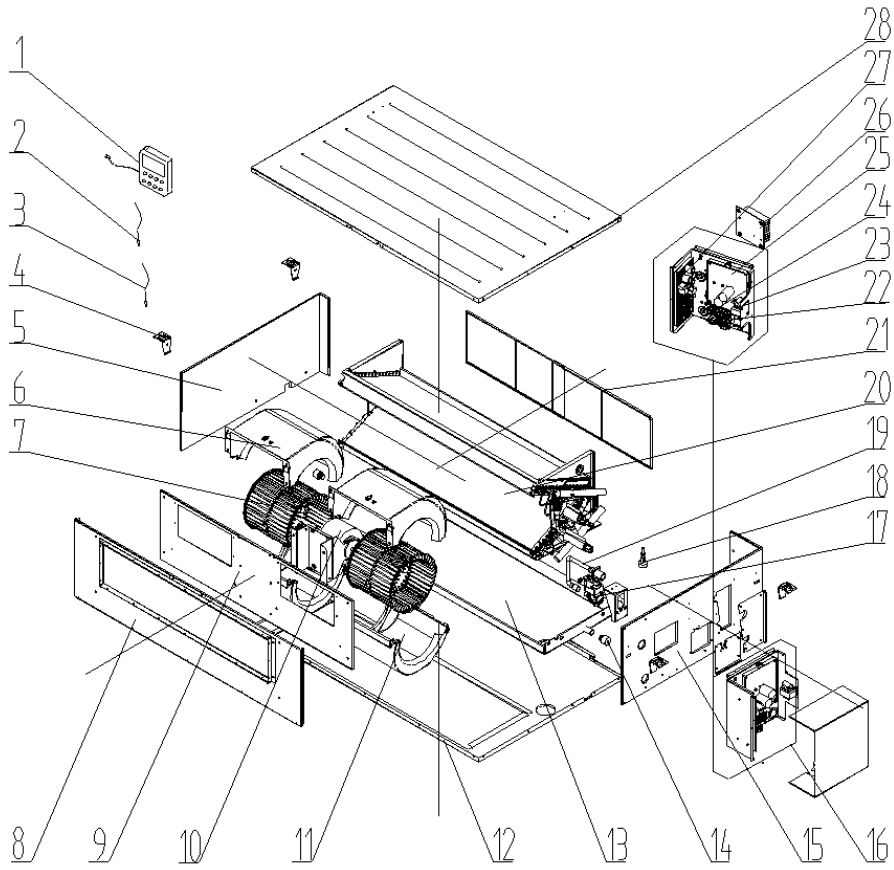


UMAT24HP230V1BD/UMAT30HP230V1BD			
Product Code		CF022N0940/ CF022N1000	
NO.	Name of Part	part Code	Quantity
1	Filter Sub-Assy	'111253031	2
2	Choke Plug of Drain Pipe	'76712455	2
3	Water Tray Assy	'01285323	1
4	Liquid Level Switch	'4501801203	1
5	Pump Drainpipe	'05235301	1
6	Water Pump	'43138220	1
7	Lower Cover Plate Sub-Assy	'15265301	1
8	Strainer	'07415210	1
9	Propeller Housing(Lower)	'26904100052	2
10	Right Side Plate Sub-Assy	'01315200155	1
11	Electric Box Assy	'01395200470	1
12	Terminal Board	'42011149	1
13	Filter Board	'30226000065	2
14	Terminal Board	'42010194	1
15	Terminal Board	'4201025301	1
16	Main Board	'30224000065	1
17	Temperature Sensor	'390001921G	1
18	Ambient Temperature Sensor	'3900012123	1
19	Display Board	'30294000007	1
20	Blower Mounting Plate Sub-Assy	'01325200044	1
21	Propeller Housing(Upper)	'26904100051	2
22	Brushless DC Motor	'1570940000601	1
23	Centrifugal Fan	'10424100001	2
24	Hook	'02112466	4
25	Top Cover Board Assy	'01265200086	1
26	Evaporator Assy	'01025200120	1
27	Side Plate of Air intake	'01375301	1
28	Supporting Board of evaporator	'018953022	1
29	Left Side Plate Assy	'01315306	1

Above data is subject to change without notice, pls reference the SP in global service website.



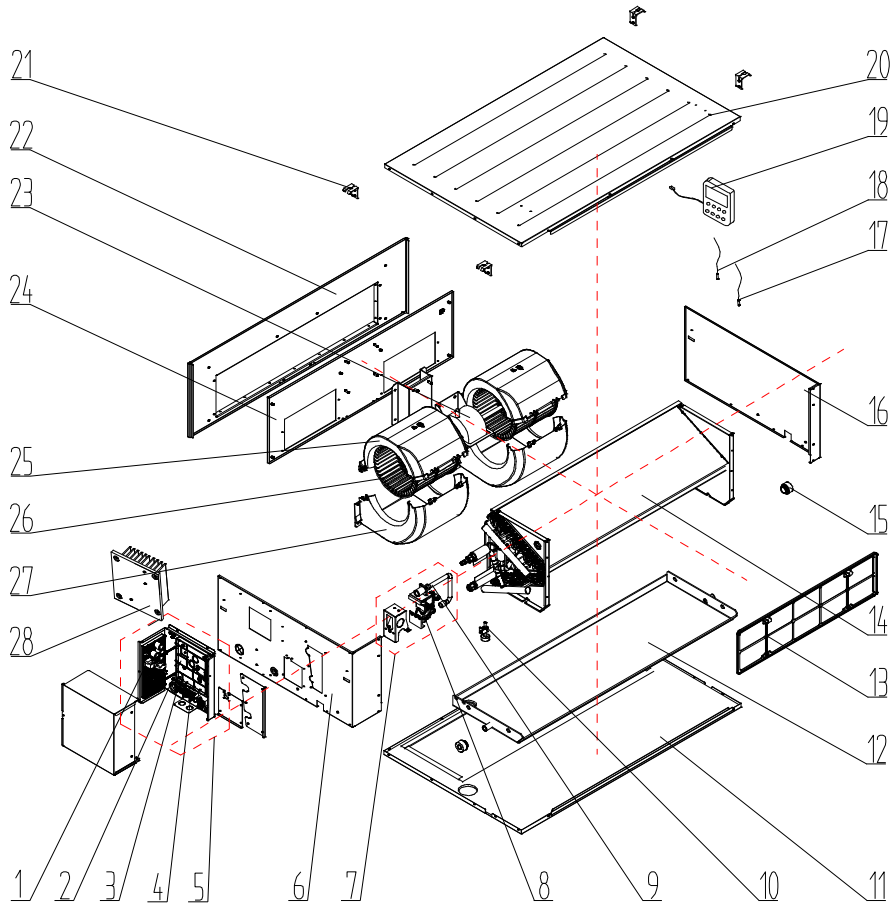
Model: UMAT36HP230V1BD exploded view and spare parts list



UMAT36HP230V1BD			
Product Code		CF022N0930	
N0.	Name of Part	part Code	Quantity
1	Display Board	'30294000007	1
2	Ambient Temperature Sensor	'3900012123	1
3	Tube sensor	'3900012128	1
4	Hook	'02205209	4
5	Left Side Plate Sub-Assy	'01315200064	1
6	Propeller Housing(Upper)	'26905200010	2
7	Centrifugal Fan	'10425200002	2
8	Front Side Plate Sub-Assy	'01315200091	1
9	Blower Mounting Plate Sub-Assy	'01325200057	1
10	Brushless DC Motor	'15709400008	1
11	Propeller Housing(Lower)	'26905200011	2
12	Top Cover Board Assy	'01265200045	1
13	Water Tray Assy	'01285200025	1
14	Choke Plug of Drain Pipe	'76712455	2
15	Right Side Plate Assy	'01315200161	1
16	Electric Box Assy	'01395200458	1
17	Water Pump	'4313822001	1
18	Water Level Switch	'4501270301	1
19	Pump Drainpipe	'05235301	1
20	Evaporator Assy	'01025200133	1
21	Filter Sub-Assy	'111253036	2
22	Terminal Board	'42010194	1
23	Reactor	'43138000047	1
24	Terminal Board	'4201025301	1
25	Main Board	'30221000018	1
26	Radiator	'49018000068	1
27	Main Board	'30224000063	1
28	Bottom Cover Plate Assy	'01265200081	1

Above data is subject to change without notice, pls reference the SP in global service website.

Model: UMAT42HP230V1BD/UMAT48HP230V1BD exploded view and spare parts list



NO.	Name of Part	UMAT42HP230V1BD/UMAT48HP230V1BD	
		Product Code	CF022N0900/ CF022N0990
1	Main Board	30224000039	1
2	Main Board	30221000011	1
3	Terminal Board	4201025301	1
4	Terminal Board	42010194	1
5	Electric Box Assy	01395200471	1
6	Right Side Plate Sub-Assy	01315200078	1
7	Water Pump Assy	15405200081	1
8	Water Pump	4313822001	1
9	Pump Drainpipe	05235301	1
10	Water Level Switch	4501270301	1
11	Top Cover Board Assy	01265200045	1
12	Water Tray Assy	01285200025	1
13	Filter Sub-Assy	111253036	2
14	Evaporator Assy	01025200054	1
15	Choke Plug of Drain Pipe	76712455	2
16	Left Side Plate Sub-Assy	01315200064	1
17	Ambient Temperature Sensor	3900012123	1
18	Tube sensor	3900012128	1
19	Display Board	30294000007	1
20	Bottom Cover Plate Assy	01265200081	1
21	Hook	02205209	4
22	Front Side Plate Sub-Assy	01315200091	1
23	Brushless DC Motor	15709400008	1
24	Blower Mounting Plate Sub-Assy	01325200057	1
25	Propeller Housing(Upper)	26905200010	2
26	Centrifugal Fan	10425200002	2
27	Propeller Housing(Lower)	26905200011	2
28	Radiator	49018000068	1

Above data is subject to change without notice, pls reference the SP in global service website.