



PARTS MANUAL

Floor/Ceiling

MODELS:

UMAT18HP230V1AF
UMAT24HP230V1AF
UMAT30HP230V1AF
UMAT36HP230V1AF
UMAT42HP230V1AF
UMAT48HP230V1AF

Thank you for choosing our product.
Please read this Parts Manual carefully before operation and
retain it for future reference.

If you lose this Manual, please contact your local distributor or
visit www.greecomcomfort.com/resources now to download and
file the electronic version.

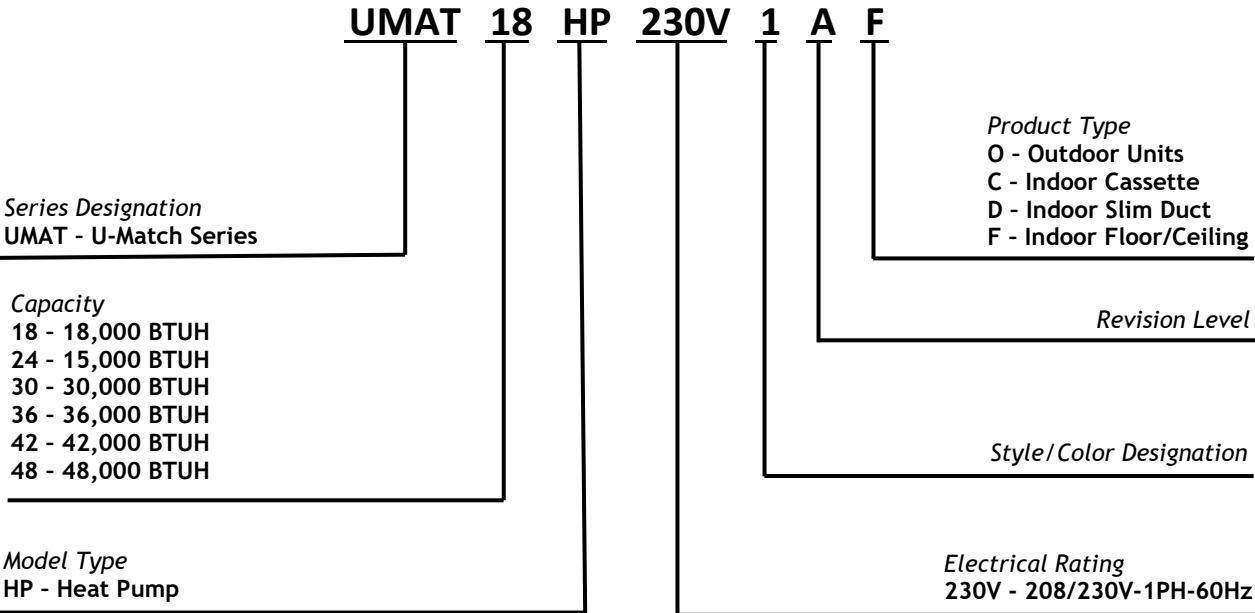
Parts Manual

Table of Contents

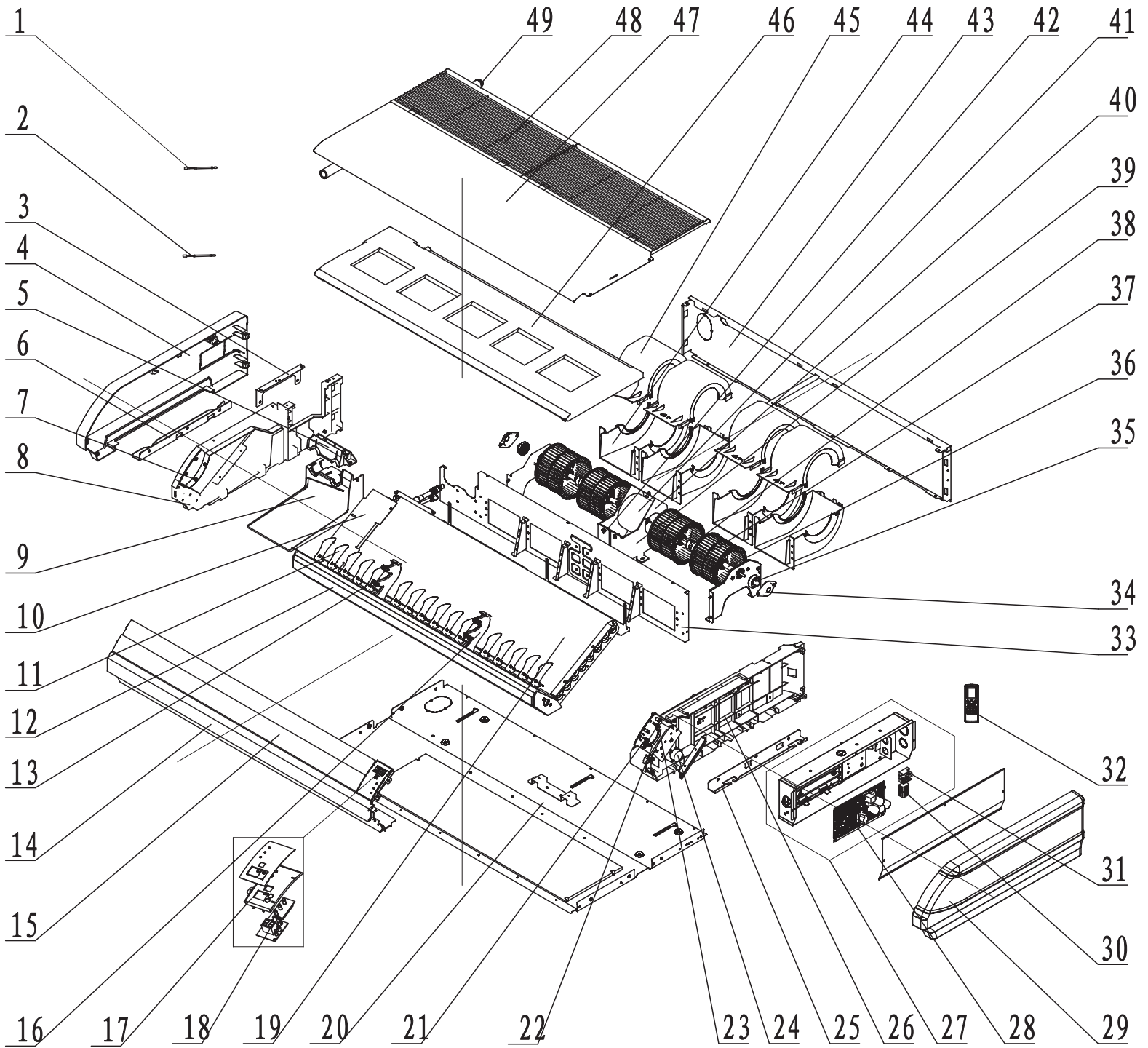
<i>Nomenclature.....</i>	<i>3</i>
<i>UMAT18HP230V1AF EV.....</i>	<i>4</i>
<i>UMAT18HP230V1AF Parts Lists.....</i>	<i>5 - 6</i>
<i>UMAT24HP230V1AF EV.....</i>	<i>7</i>
<i>UMAT24HP230V1AF Parts Lists.....</i>	<i>8 - 9</i>
<i>UMAT30HP230V1AF EV.....</i>	<i>10</i>
<i>UMAT30HP230V1AF Parts Lists.....</i>	<i>11 - 12</i>
<i>UMAT36HP230V1AF EV.....</i>	<i>13</i>
<i>UMAT36HP230V1AF Parts Lists.....</i>	<i>14 - 15</i>
<i>UMAT42HP230V1AF EV.....</i>	<i>16</i>
<i>UMAT42HP230V1AF Parts Lists.....</i>	<i>16 - 17</i>
<i>UMAT48HP230V1AF EV.....</i>	<i>18</i>
<i>UMAT48HP230V1AF Parts Lists.....</i>	<i>19 - 20</i>

Nomenclature

EXAMPLE: UMAT18HP230V1AF



UMAT18HP230V1AF



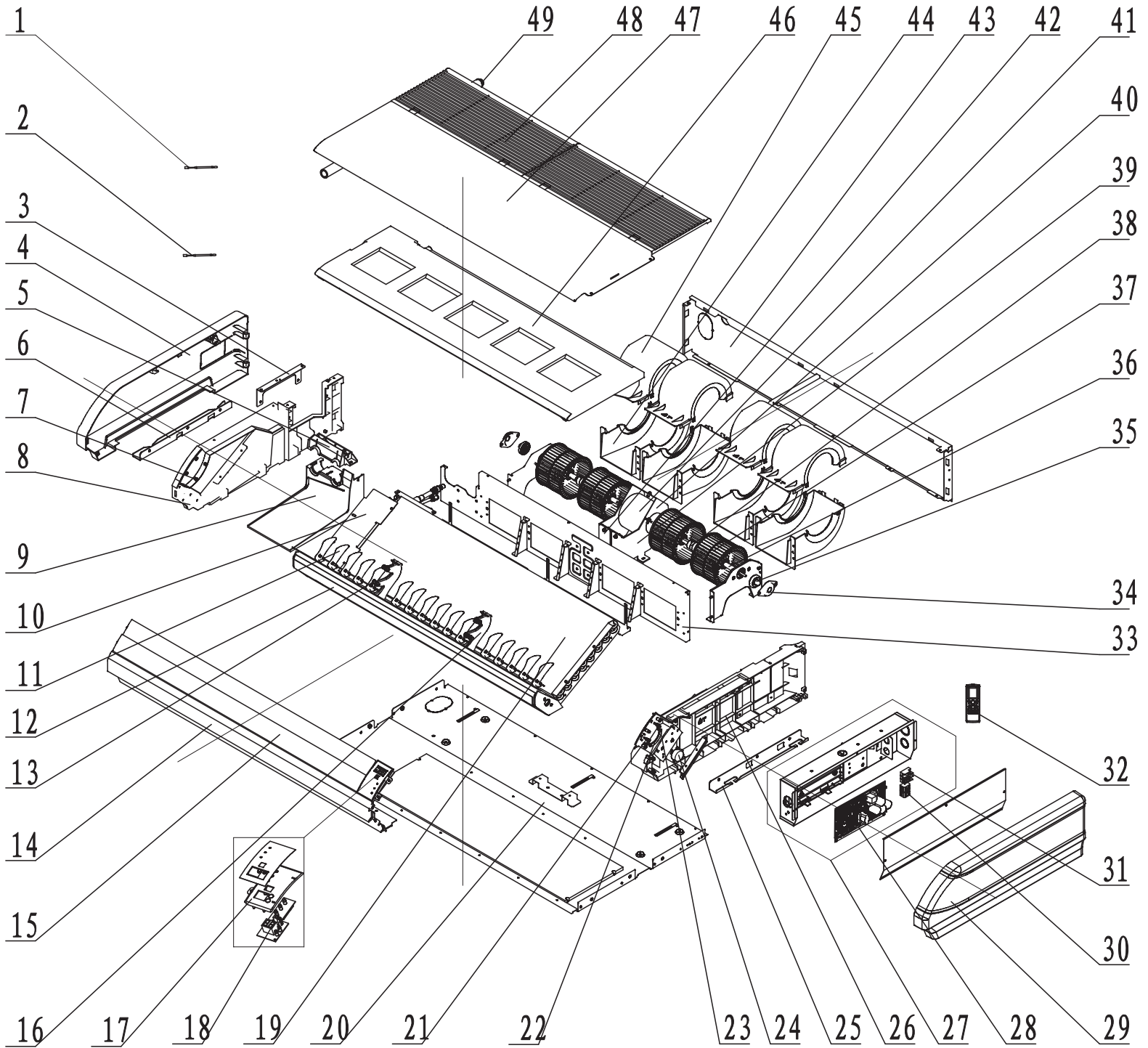
UMAT18HP230V1AF

NO.	Part Description	Qty	Part Code
1	Tube Temperature Sensor	1	390001923
2	Ambient Temperature Sensor	1	39000191
3	Connection Board	1	02229406
4	Right Cover Plate	1	26909444
5	Water Releasing Flume Plate Board	1	26909442
6	Installation Mounting Bracket	1	01809402
7	Axial Bushing	2	10542704
8	Right Side Plate Sub-Assy	1	01319429
9	Water Releasing Flume	1	02284106P
10	Evaporator Connected Board	1	01349421
11	Air Louver	16	10619404
12	Guide Louver Support Sub-Assy	1	0180941601
13	Rotating Shaft	4	26909430
14	Front Connection Board	1	01349414P
15	Guide Louver	2	10619403
16	Support	2	26909449
17	Fixed Mount	1	26909426R
18	Display Board	1	30294000009
19	Evaporator Coil Assy	1	01029468
20	Rear Side Plate Assy	1	01319400008
21	Rotating Shaft	1	26909413
22	Connecting Rod	1	26909411
23	Rotating Shaft	1	26909412
24	Stepper Motor	1	1521240206
25	Installation Mounting Bracket	1	01809401
26	Left Side Plate Sub-Assy	1	0131942801
27	Electric Box Assy	1	01399400113
28	Main Control Board	1	30224000029
29	Left Cover Plate	1	2690944302
30	Terminal Board	1	42010178
31	Terminal Board	1	4201025301
32	Remote Controller (YB1FA)	1	30510516
Not Shown	Remote Controller Holder/Cradle	1	70140164
33	Mid-Clapboard Sub-Assy	1	01249416
34	Motor Bearing Support	2	01792408
35	Bearing O-Gasket	2	76512404

UMAT18HP230V1AF (Cont.)

NO.	Part Description	Qty	Part Code
36	Rotary Axis Sub-Assy	2	73018000037
37	Centrifugal Fan	4	10425200
38	Joint Slack	2	73018731
39	Support	1	01809400024
40	Bar Clasp sub-Assy	1	70818000033
41	Fan Motor	1	15704100001
42	Support	1	01809400023
43	Rear Connection Board	1	01349422
44	Front Blower Housing	4	26905205
45	Rear Blower Housing	4	26905206
46	Condensate Water Tray Assy	1	01289404
47	Top Cover Board Sub-Assy	1	01269409
48	Front Grille Sub-Assy	2	01579403
49	Drain Pipe Sub-Assy	1	05235434

UMAT24HP230V1AF



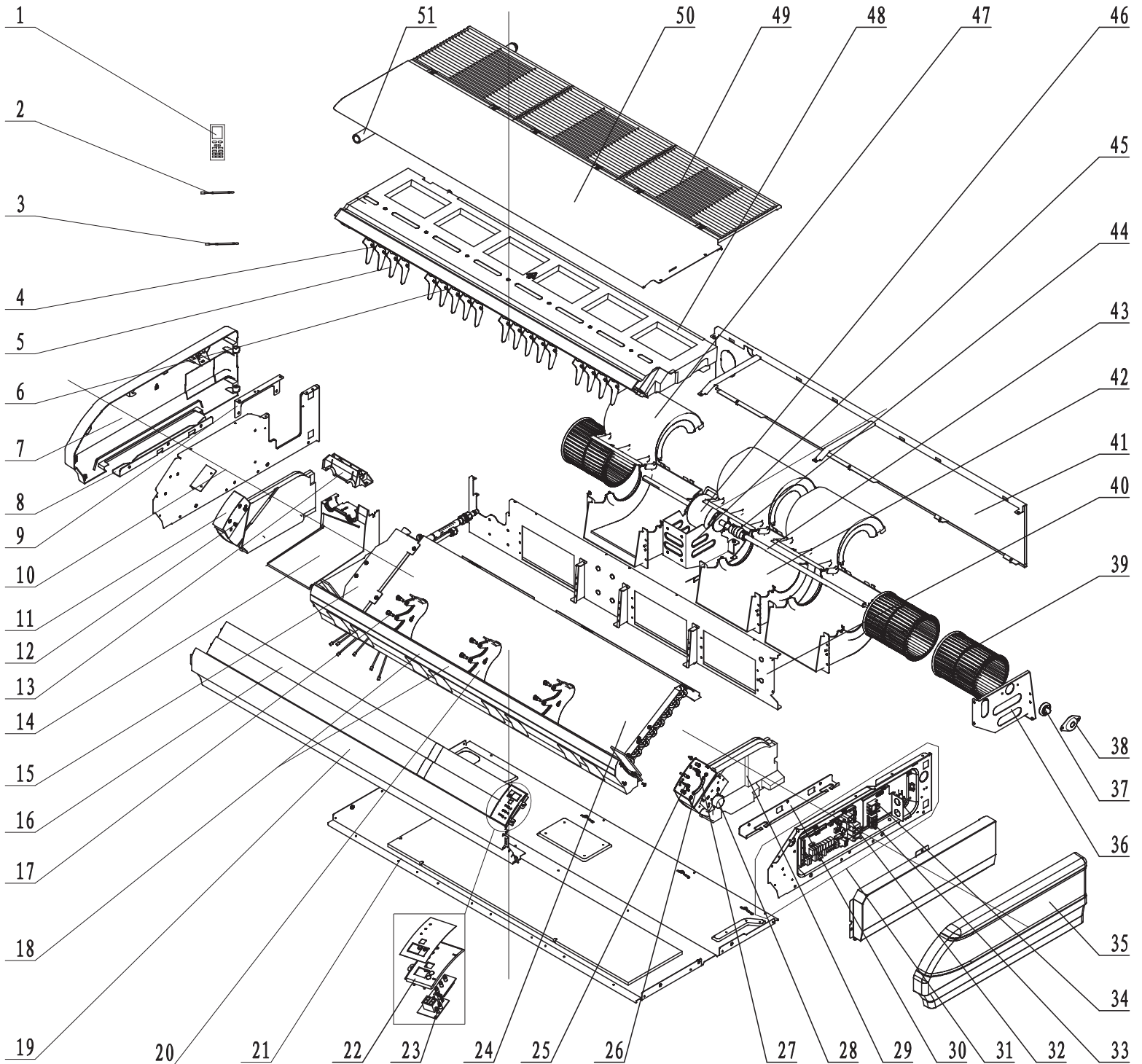
UMAT24HP230V1AF

NO.	Part Description	Qty	Part Code
1	Tube Temperature Sensor	1	390001923
2	Ambient Temperature Sensor	1	39000191
3	Connection Board	1	02229406
4	Right Cover Plate	1	26909444
5	Water Releasing Flume Plate Board	1	26909442
6	Installation Mounting Bracket	1	01809402
7	Axial Bushing	2	10542704
8	Right Side Plate Sub-Assy	1	01319429
9	Water Releasing Flume	1	02284106P
10	Evaporator Connected Board	1	01349421
11	Air Louver	16	10619404
12	Guide Louver Support Sub-Assy	1	0180941601
13	Rotating Shaft	4	26909430
14	Front Connection Board	1	01349414P
15	Guide Louver	2	10619403
16	Support	2	26909449
17	Fixed Mount	1	26909426R
18	Display Board	1	30294000009
19	Evaporator Coil Assy	1	01029400046
20	Rear Side Plate Assy	1	01319400008
21	Rotating Shaft	1	26909413
22	Connecting Rod	1	26909411
23	Rotating Shaft	1	26909412
24	Stepper Motor	1	1521240206
25	Installation Mounting Bracket	1	01809401
26	Left Side Plate Sub-Assy	1	0131942801
27	Electric Box Assy	1	01399400113
28	Main Control Board	1	30224000029
29	Left Cover Plate	1	2690944302
30	Terminal Board	1	42010178
31	Terminal Board	1	4201025301
32	Remote Controller (YB1FA)	1	30510516
N/A	Remote Controller Holder/Cradle	1	70140164
33	Mid-Clapboard Sub-Assy	1	01249416
34	Motor Bearing Support	2	01792408
35	Bearing O-Gasket	2	76512404
36	Rotary Axis Sub-Assy	2	73018000037
37	Centrifugal Fan	4	10425200

UMAT24HP230V1AF (Cont.)

NO.	Part Description	Qty	Part Code
38	Joint Slack	2	73018731
39	Support	1	01809400024
40	Bar Clasp Sub-Assy	1	70818000033
41	Fan Motor	1	15704100001
42	Support	1	01809400023
43	Rear Connection Board	1	01349422
44	Front Blower Housing	4	26905205
45	Rear Blower Housing	4	26905206
46	Condensate Water Tray Assy	1	01289404
47	Top Cover Board Sub-Assy	1	01269409
48	Front Grille Sub-Assy	2	01579403
49	Drain Pipe Sub-Assy	1	05235434

UMAT30HP230V1AF



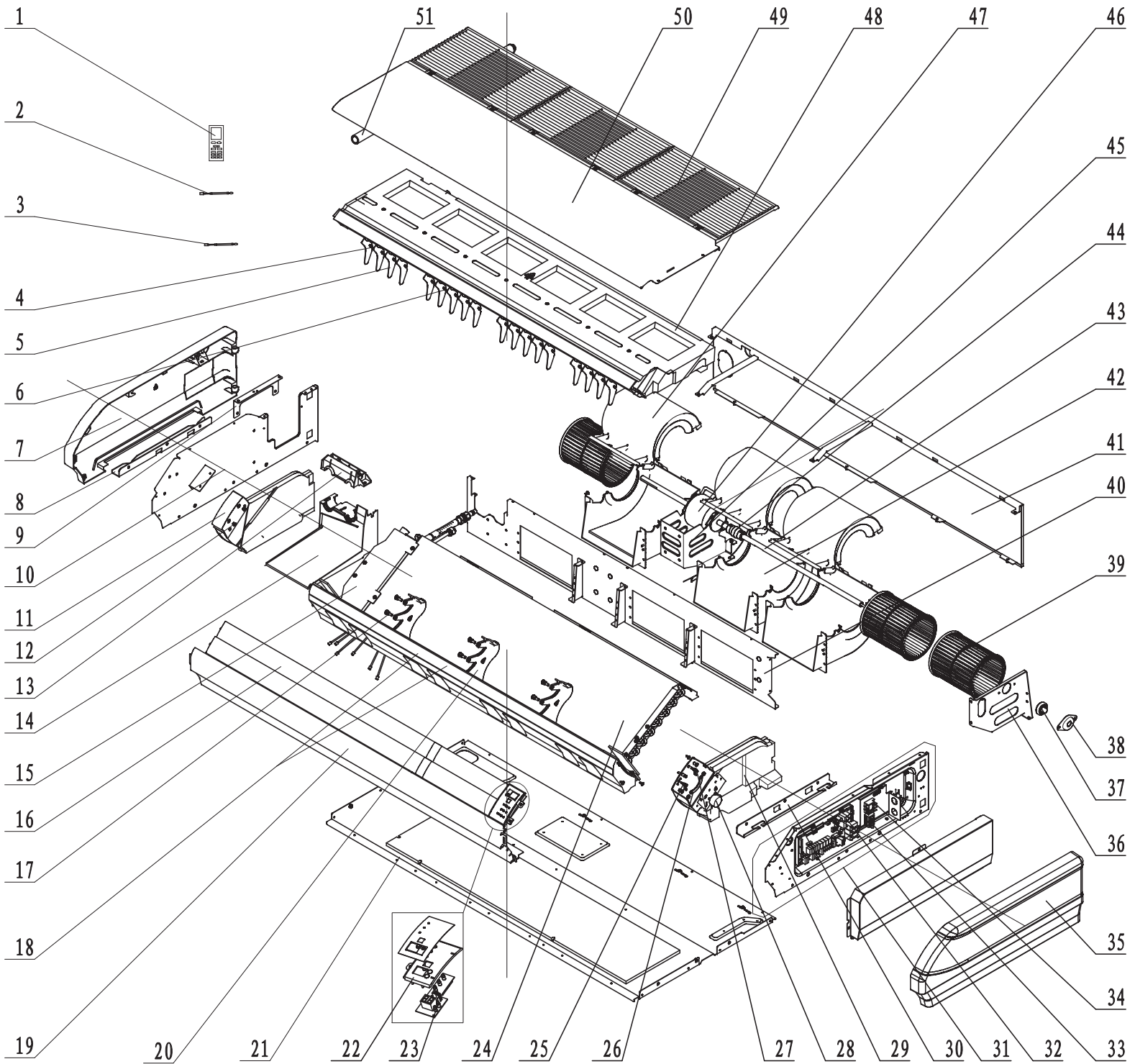
UMAT30HP230V1AF

NO.	Part Description	Qty	Part Code
1	Remote Controller (YB1FA)	1	30510516
Not Shown	Remote Controller Holder/Cradle	1	70140164
2	Tube Temperature Sensor	1	390001923
3	Ambient Temperature Sensor	1	39000191
4	Swing Lever	2	10582008
5	Air Louver	18	26909418
6	Swing Lever	2	10582009
7	Right Cover Plate	1	26909422
8	Installation Mounting Bracket	1	01809402
9	Connection Board	1	02229406
10	Right Side Plate Sub-Assy	1	01319408
11	Right Foam Assy	1	12509425
12	Axial Bushing	2	10542704
13	Water Releasing Flume Plate Board	1	26909442
14	Water Releasing Flume	1	26909441
15	Evaporator Connection Board	1	01349413
16	Guide Louver	2	26909432
17	Rotating Shaft	6	26909430
18	Front Connection Board Foam Assy	1	12509424
19	Front Connection Board	1	01349408P
20	Support	3	26909409
21	Rear Side Plate Assy	1	01319400005
22	Fixed Mount	1	26909426R
23	Display Board	1	30294000009
24	Evaporator Coil Assy	1	01029400041
25	Rotating Shaft	1	26909413
26	Connecting Rod	1	26909411
27	Rotating Shaft	1	26909412
28	Stepper Motor	1	1521240206
29	Left Foam Assy	1	12509408
30	Installation Mounting Bracket	1	01809401
31	Electric Box Assy	1	01399400116
32	Main Control Board	1	30224000029
33	Terminal Board	1	4201025301
34	Terminal Board	1	42010178

UMAT30HP230V1AF (Cont.)

NO.	Part Description	Qty	Part Code
35	Left Cover Plate	1	2690941601
36	Bracket 1	1	01809404
37	Bearing O-Gasket	1	76512404
38	Motor Bearing Support	1	01792408
39	Centrifugal Fan	3	1041410101
40	Clapboard Sub-Assy	1	01249400002
41	Rear Connection Board	1	01349418
42	Front Blower Housing	3	26905208
43	Rotary Axis Sub-Assy	1	73018052
44	Joint Slack	1	73018731
45	Motor Support Sub-Assy	1	01809400029
46	Fan Motor	1	15705200005
47	Rear Blower Housing	3	26909419
48	Condensate Water Tray Assy	1	01289405
49	Front Grille Sub-Assy	3	01579402
50	Top Cover Board Sub-Assy	1	01269405
51	Drain Pipe Sub-Assy	1	05235434

UMAT36HP230V1AF



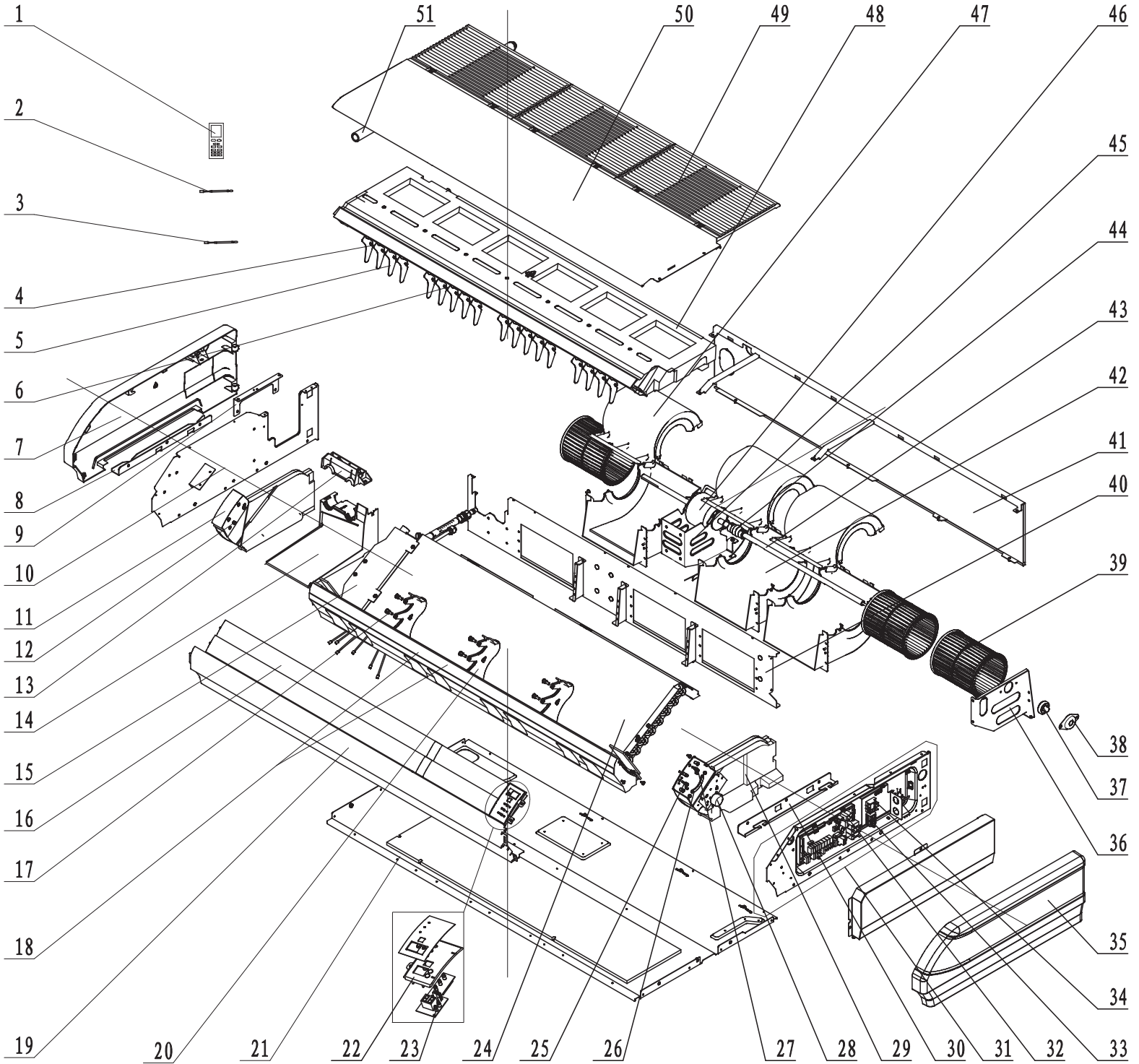
UMAT36HP230V1AF

NO.	Part Description	Qty	Part Code
1	Remote Controller (YB1FA)	1	30510516
Not Shown	Remote Controller Holder/Cradle	1	70140164
2	Tube Temperature Sensor	1	390001923
3	Ambient Temperature Sensor	1	39000191
4	Swing Lever	2	10582008
5	Air Louver	18	26909418
6	Swing Lever	2	10582009
7	Right Cover Plate	1	26909422
8	Installation Mounting Bracket	1	01809402
9	Connection Board	1	02229406
10	Right Side Plate Sub-Assy	1	01319408
11	Right Foam Assy	1	12509425
12	Axial Bushing	2	10542704
13	Water Releasing Flume Plate Board	1	26909442
14	Water Releasing Flume	1	26909441
15	Evaporator Connection Board	1	01349413
16	Guide Louver	2	26909432
17	Rotating Shaft	6	26909430
18	Front Connection Board Foam Assy	1	12509424
19	Front Connection Board	1	01349408P
20	Support	3	26909409
21	Rear Side Plate Assy	1	01319400005
22	Fixed Mount	1	26909426R
23	Display Board	1	30294000009
24	Evaporator Coil Assy	1	01029400050
25	Rotating Shaft	1	26909413
26	Connecting Rod	1	26909411
27	Rotating Shaft	1	26909412
28	Stepper Motor	1	1521240206
29	Left Foam Assy	1	12509408
30	Installation Mounting Bracket	1	01809401
31	Electric Box Assy	1	01399400116
32	Main Control Board	1	30224000029
33	Terminal Board	1	4201025301
34	Terminal Board	1	42010178
35	Left Cover Plate	1	2690941601
36	Bracket 1	1	01809404
37	Bearing O-Gasket	1	76512404

UMAT36HP230V1AF (Cont.)

NO.	Part Description	Qty	Part Code
38	Motor Bearing Support	1	01792408
39	Centrifugal Fan	3	1041410101
40	Clapboard Sub-Assy	1	01249400002
41	Rear Connection board	1	01349418
42	Front Blower Housing	3	26905208
43	Rotary Axis Sub-Assy	1	73018052
44	Joint Slack	1	73018731
45	Motor Support Sub-Assy	1	01809400029
46	Fan Motor	1	15705200005
47	Rear Blower Housing	3	26909419
48	Condensate Water Tray Assy	1	01289405
49	Front Grille Sub-Assy	3	01579402
50	Top Cover Board Sub-Assy	1	01269405
51	Drain Pipe Sub-Assy	1	05235434

UMAT42HP230V1AF



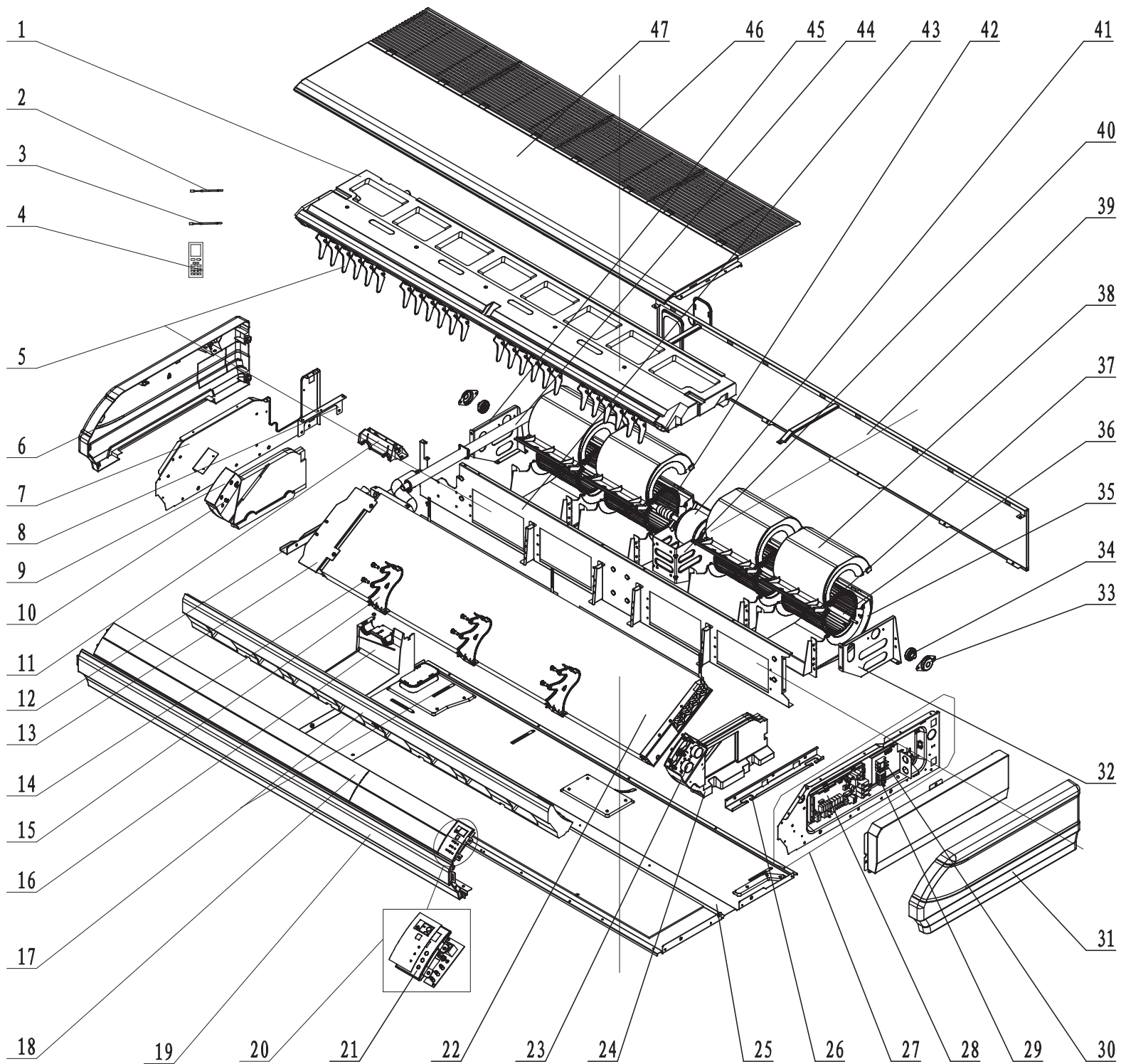
UMAT42HP230V1AF

NO.	Part Description	Qty	Part Code
1	Remote Controller (YB1FA)	1	30510516
Not Shown	Remote Controller Holder/Cradle	1	70140164
2	Tube Temperature Sensor	1	390001923
3	Ambient Temperature Sensor	1	39000191
4	Swing Lever	2	10582008
5	Air Louver	18	26909418
6	Swing Lever	2	10582009
7	Right Cover Plate	1	26909422
8	Installation Mounting Bracket	1	01809402
9	Connection Board	1	02229406
10	Right Side Plate Sub-Assy	1	01319408
11	Right Foam Assy	1	12509425
12	Axial Bushing	2	10542704
13	Water Releasing Flume Plate Board	1	26909442
14	Water Releasing Flume	1	26909441
15	Evaporator Connection Board	1	01349413
16	Guide Louver	2	26909432
17	Rotating Shaft	6	26909430
18	Front Connection Board Foam Assy	1	12509424
19	Front Connection Board	1	01349408P
20	Support	3	26909409
21	Rear Side Plate Assy	1	01319400005
22	Fixed Mount	1	26909426R
23	Display Board	1	30294000009
24	Evaporator Coil Assy	1	01029400049
25	Rotating Shaft	1	26909413
26	Connecting Rod	1	26909411
27	Rotating Shaft	1	26909412
28	Stepper Motor	1	1521240206
29	Left Foam Assy	1	12509408
30	Installation Mounting Bracket	1	01809401
31	Electric Box Assy	1	01399400116
32	Main Control Board	1	30224000029
33	Terminal Board	1	4201025301
34	Terminal Board	1	42010178

UMAT42HP230V1AF (Cont.)

NO.	Part Description	Qty	Part Code
35	Left Cover Plate	1	2690941601
36	Bracket 1	1	01809404
37	Bearing O-Gasket	1	76512404
38	Motor Bearing Support	1	01792408
39	Centrifugal Fan	3	1041410101
40	Clapboard Sub-Assy	1	01249400002
41	Rear Connection Board	1	01349418
42	Front Blower Housing	3	26905208
43	Rotary Axis Sub-Assy	1	73018052
44	Joint Slack	1	73018731
45	Motor Support Sub-Assy	1	01809400029
46	Fan Motor	1	15705200005
47	Rear Blower Housing	3	26909419
48	Condensate Water Tray Assy	1	01289405
49	Front Grille Sub-Assy	3	01579402
50	Top Cover Board Sub-Assy	1	01269405
51	Drain Pipe Sub-Assy	1	05235434

UMAT48HP230V1AF



UMAT48HP230V1AF

NO.	Part Description	Qty	Part Code
1	Condensate Water Tray Assy	1	01289401
2	Tube Temperature Sensor	1	3900020720G
3	Ambient Temperature Sensor	1	39000191
4	Remote Controller (YB1FA)	1	30510516
Not Shown	Remote Controller Holder/Cradle	1	70140164
5	Air Louver	24	26909418
6	Right Cover Plate	1	26909422
7	Right Side Plate Sub-Assy	1	01319408
8	Connection Board	1	02229406
9	Right Foam Assy	1	12509425
10	Axial Bushing	2	10542704
11	Water Releasing Flume Plate Board	1	26909442
12	Installation Mounting Bracket	1	01809402
13	Evaporator Connected Board	1	01349412
14	Rotating Shaft	6	26909430
15	Support	3	26909409
16	Water Releasing Flume	1	26909441
17	Front Connection Board Foam Assy	1	12509434
18	Guide Louver	2	10619405
19	Front Connection Board	1	01349404P
20	Display Board	1	30294000009
21	Fixed Mount	1	26909426R
22	Evaporator Coil Assy	1	0102947101
23	Stepper Motor	2	1521240206
24	Left Foam Assy	1	12509437
25	Rear Side Plate Sub-Assy	1	01319442
26	Installation Mounting Bracket	1	01809421
27	Electric Box Assy	1	01399400115
28	Main Control Board	1	30224000029
29	Terminal Board	1	4201025301
30	Terminal Board	1	42010178
31	Left Cover Plate	1	2690941601
32	Bracket 1	1	01809404
33	Support Of Motor Bearing	2	01792408
34	Bearing O-Gasket	2	76512404

UMAT48HP230V1AF (Cont.)

35	Front Blower Housing	4	26905208
36	Rotary Axis Sub-Assy	2	73018052
37	Centrifugal Fan	4	1041410101
38	Rear Blower Housing	4	26909419
39	Rear Connection board	1	01349419
40	Motor Support Sub-Assy	1	0180940002901
41	Fan Motor	1	15709400005
42	Joint Slack	2	73018731
43	Clapboard Sub-Assy	1	01249400006
44	Drain Pipe Sub-Assy	1	05235434
45	Support	1	01809403
46	Front Grille Sub-Assy	4	01579401
47	Top Cover Board Sub-Assy	1	01269400002



U.S. CONTACT INFORMATION TRADEWINDS, LLC

E-mail: info@twclimate.com

Contractor Support: 888-850-7928 | Mon-Fri 8 AM - 5 PM EDT

GREECOMFORT.COM