

SUBMITTAL DATA

FLR24HP230V1BF for Use with Multi GEN2 and Multi+ Ultra
24000 BTU/H Floor/Ceiling Unit

Job Name

Location

Date

Purchaser

Engineer

Submitted to

For

Unit Designation

Schedule No.



YAP1FB2F



FLR24HP230V1BF



XE72

GENERAL FEATURES

- Quiet Operation and Multi-Speed Fan
- Floor Stand or Ceiling Mount
- Multi-Directional Air Flow
- Wireless Remote with LCD Display Included
- XE72 Wi-Fi Wired Controller Included
- Low Ambient Cooling Based on Outdoor Unit Performance
- Low Ambient Heating Based on Outdoor Unit Performance
- Coil (Indoor and Outdoor) Copper Tube / Aluminum Fin
- Blue Colored Fin - 500 Hrs Salt Spray Tested

SPECIFICATIONS, FEATURES & FUNCTION SUMMARY

SPECIFICATIONS		FLR24HP230V1BF		
System Type		HEAT PUMP		
SYSTEM PERFORMANCE				
Cooling	Nominal	Btu/h	22000	
	Capacity @95°F	Btu/h		
Heating	Nominal	Btu/h	24000	
	Capacity @5°F	Btu/h		
	Capacity @17°F	Btu/h		
	Capacity @47°F	W		
SEER2				
EER2				
HSPF2				
COP @5°F		System Performance Based on the Connected Outdoor Unit Performance		
COP @47°F				
Cooling Temperature Range				°F
Heating Temperature Range				°F
Refrigerant Type				R410A
INDOOR UNIT		FLR24HP230V1BF		
Air flow (Min-Max)		CFM	424 - 560	
Sound Pressure Level (Min - Max)		dB(A)	27 - 38	
Dehumidification		pt/hr	5.3	
External Dimensions (W x H x D)		in	47-1/4 x 26-1/4 x 9-1/4	
Package Dimension (W x H x D)		in	53-1/2 x 30-1/4 x 11-1/4	
Net Weight		lbs	72.8	
Gross Weight		lbs	88.2	
REFRIGERANT PIPING				
Line Set Size by Indoor Unit (Liquid - Gas)		in	3/8 - 5/8	
ELECTRICAL				
Power Supply		208-230V / 1Ph / 60Hz (Powered by the Outdoor Unit)		

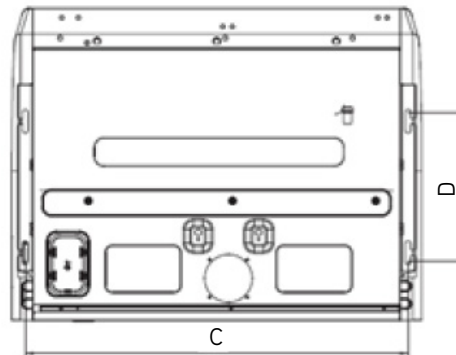
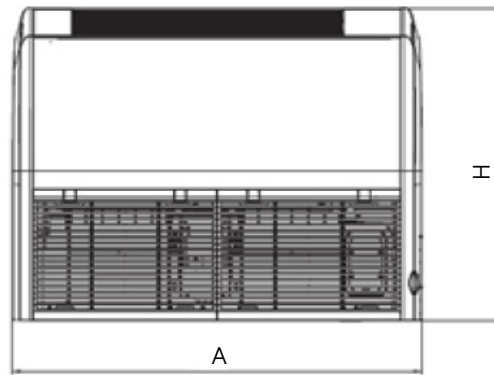
FEATURES & FUNCTIONS SUMMARY		FLR24HP230V1BF
SYSTEM FEATURES		
Wired Controller Interface	Yes	
WiFi Included	No	
Indoor Fan Type	Centrifugal	
Multi Fan Speeds	4 Speeds	
Indoor Unit Display	Yes	
Auxiliary Electrical Heater	No	
Ventilation (Outdoor Air)	No	
REMOTE CONTROLLER FUNCTIONS		
Auto Mode	Yes	
Auto Fan	Yes	
Auto Swing (Horizontal Auto Swing)	No	
Auto Swing (Vertical Auto Swing)	Yes	
Clock	Yes	
Dry Mode	Yes	
Dry Anti-Mildew (X-Fan) Mode	Yes	
Energy Saving Mode	Yes	
Dirty Filter Alert	No	
Fan Speed Control (4 Speeds)	Yes	
I Feel Function	Yes	
Privacy Lock	Yes	
Quiet Mode	Yes	
Room Temperature Display	No	
Sleep Mode (Normal Sleep)	Yes	
4 Sleep Mode Options	No	
Timer Mode	Yes	
Turbo Mode	Yes	
Display On/Off Control	Yes	
Freeze Guard Mode	Yes	
Power Failure Mode	Yes	

DIMENSIONS & CLEARANCES

INDOOR UNIT

Unit: inch

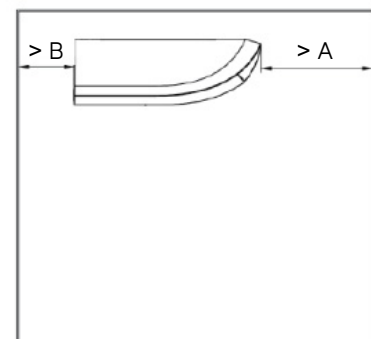
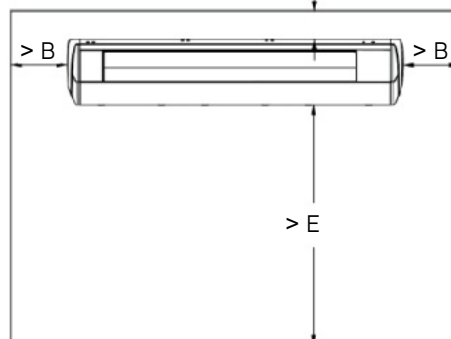
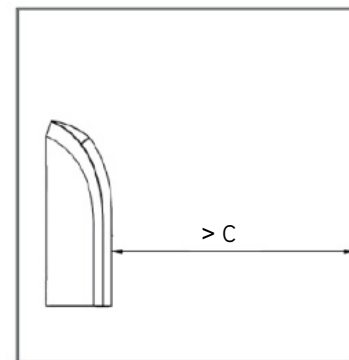
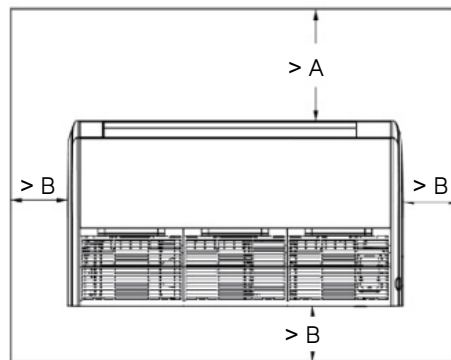
FLR24HP230V1BF	
DIMENSIONS	
A	47-1/4
B	9-1/4
C	45
D	12-1/2
H	26-1/4



INDOOR UNIT

Minimum clearance

DIMENSIONS	
A	60
B	12
C	39
D	6
E	90



Specifications are subject to change without notice. Manufacturer reserves the right to discontinue or modify specifications or designs without notice or without incurring obligations. All Rights reserved.

GREECOMFORT.COM/SYSTEM-DOCUMENTATION