

## SUBMITTAL DATA

CAS18HP230V1BC / 3VIR18HP230V1BO  
18000 BTU/H Cassette Heat Pump System

Job Name

Location

Date

Purchaser

Engineer

Submitted to

For

Unit Designation

Schedule No.



YAP1FB2F



CAS18HP230V1BC



3VIR18HP230V1BO



XE72

## GENERAL FEATURES

- AHRI Certificate: [211726656](#)
- High Efficiency DC Inverter Technology
- Compact and Quiet Design
- 4 - Way Discharge Air
- Internal Condensate Drain Pump
- Wireless Remote with LCD Display Included
- XE72 Wi-Fi Wired Controller Included
- Low Ambient Cooling down to -20°F (Range -20°F to 122°F)
- Low Ambient Heating down to -22°F (Range -22°F to 86°F)
- (Indoor and Outdoor) Copper Tube / Aluminum Fin
- Blue Colored Fin - 500 Hrs Salt Spray Tested

## SPECIFICATIONS, FEATURES & FUNCTION SUMMARY

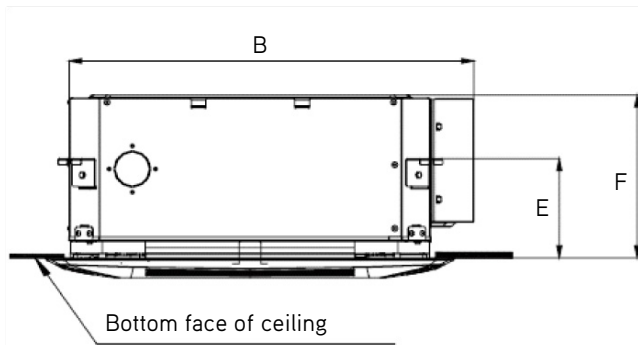
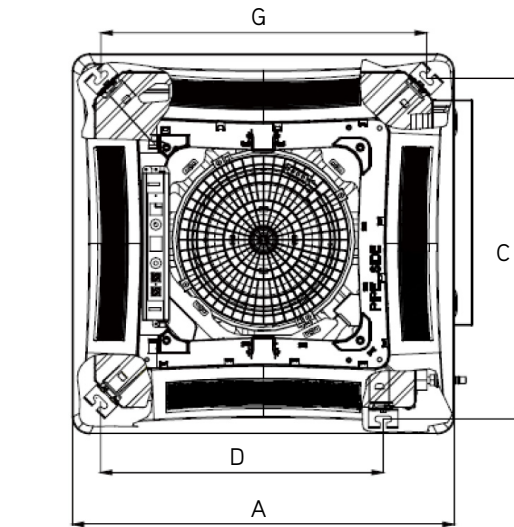
SPECIFICATIONS		CAS18HP230V1BC / 3VIR18HP230V1BO		FEATURES & FUNCTIONS SUMMARY		CAS18HP230V1BC / 3VIR18HP230V1BO	
System Type		HEAT PUMP					
<b>SYSTEM PERFORMANCE</b>							
Cooling	Min - Max	Btu/h	5100 - 23200				
	Capacity @95°F	Btu/h	14400				
Heating	Min - Max	Btu/h	5800 - 23500				
	Capacity @5°F	Btu/h					
	Capacity @17°F	Btu/h					
	Capacity @47°F	W	16000				
SEER2		19.0					
EER2		10.3					
HSPF2		9.5					
COP @5°F							
COP @47°F		3.3					
Cooling Temperature Range		°F	-20 - 122				
Heating Temperature Range		°F	-22 - 86				
Refrigerant Type		R410A					
<b>INDOOR UNIT</b>				<b>CAS18HP230V1BC</b>			
Air flow (Min-Max)		CFM	265 - 418				
Sound Pressure Level (Min - Max)		dB(A)	35 - 47				
Dehumidification		pt/hr	3.8				
External Dimensions (W x H x D)		in	23-1/2 x 9-1/2 x 23-1/2				
Package Dimension (W x H x D)		in	30-1/2 x 11-1/4 x 29				
Net Weight		lbs	56.3				
Gross Weight		lbs	67.3				
<b>CASSETTE GRILLE</b>				<b>CASGRILLEBSM</b>			
Grille Dimension (W x H x D)		in	26-3/8 x 2 x 26-3/8				
Package Dimension (W x H x D)		in	30 x 3-1/2 x 30				
Weight (Net/Gross)		lbs	7.7/11.0				
<b>OUTDOOR UNIT</b>				<b>3VIR18HP230V1BO</b>			
Compressor Type		GREE G-10 / 2 - STAGE INVERTER					
Sound Pressure Level		dB(A)	59				
External Dimensions (W x H x D)		in	37-3/4 x 26 x 15-7/8				
Package Dimension (W x H x D)		in	40-5/8 x 29-1/16 x 18				
Net Weight		lbs	98.1				
Gross Weight		lbs	106.9				
<b>REFRIGERANT PIPING</b>							
Refrigerant Charge - R410A		oz	54.7				
Additional Charge		oz/ft	0.5				
Line Set Sized by Indoor Unit (Liquid - Gas)		in	1/4 - 1/2				
Outdoor Service Valve Size (Liquid - Gas)		in	1/4 - 5/8				
Pre-Charge Length		ft	25				
Pipe Length (Min - Max)		ft	10 - 100				
Max. Pipe Elevation		ft	50				
<b>ELECTRICAL</b>							
Power Supply		208-230V / 1Ph / 60Hz (Powered by the Outdoor Unit)					
Voltage Range (Min - Max)		VAC	187 - 253				
Rated Current - Cooling		A	11.5				
Rated Current - Heating		A	11.5				
MCA		A	14				
MOCP		A	20				
Suggested Breaker Size		A	15				
Main Power Wire Size		AWG	Per Local Code				
Interconnecting Wire Size		AWG	14 / 4				
<b>SYSTEM FEATURES</b>							
Inverter Type		G10					
Ultra Low Frequency Torque Control		Yes					
Power Factor Correction		Yes					
Compressor Type - Inverter		High Efficiency Rotary					
Basepan With Electric Heater		Yes					
Indoor & Outdoor Fin Coating (Blue Fin)		Yes					
Intelligent Defrosting		Yes					
Intelligent Preheating		Yes					
Low Voltage Startup		Yes					
Memory/Power Failure Recovery		Yes					
Self Diagnosis		Yes					
Wired Controller Interface		Yes					
WiFi Included		No					
Indoor Fan Type		Centrifugal					
Multi Fan Speeds		4 Speeds					
Indoor Unit Display		Yes					
Auxiliary Electrical Heater		No					
Ventilation (Outdoor Air)		No					
<b>REMOTE CONTROLLER FUNCTIONS</b>							
Auto Mode		Yes					
Auto Fan		Yes					
Auto Swing (Horizontal Auto Swing)		No					
Auto Swing (Vertical Auto Swing)		Yes					
Clock		Yes					
Dry Mode		Yes					
Dry Anti-Mildew (X-Fan) Mode		Yes					
Energy Saving Mode		Yes					
Dirty Filter Alert		No					
Fan Speed Control (7 Speeds)		Yes					
I Feel Function		Yes					
Privacy Lock		Yes					
Quiet Mode		No					
Room Temperature Display		No					
Sleep Mode		Yes					
Normal Sleep Mode Options		Yes					
Timer Mode		Yes					
Turbo Mode		Yes					
Display On/Off Control		Yes					
Freeze Guard Mode		Yes					
Power Failure Mode		Yes					

## DIMENSIONS

### INDOOR UNIT

Unit: inch

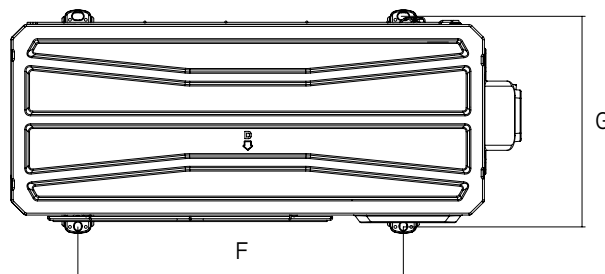
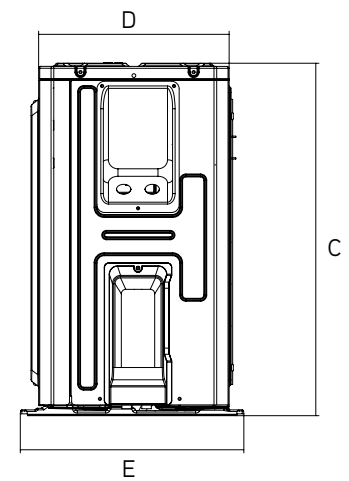
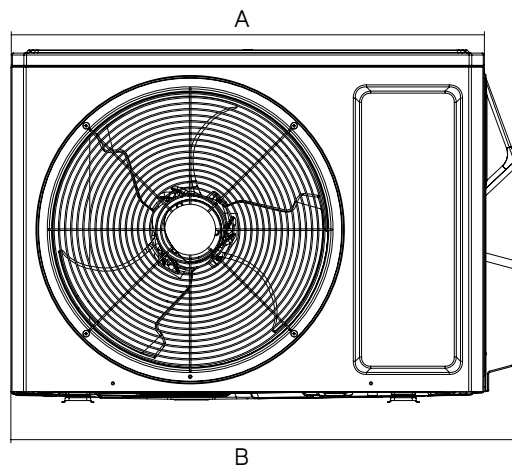
CAS18HP230V1BC	
DIMENSIONS	
A	26-3/8
B	26-3/8
C	23-5/8
D	19-1/2
E	5-11/16
F	9-1/2
G	23-1/2



### OUTDOOR UNIT

Unit: inch

3VIR18HP230V1BO	
DIMENSIONS	
A	35
B	37-23/32
C	25-63/64
D	13-25/64
E	15-53/64
F	22-7/16
G	14-39/64

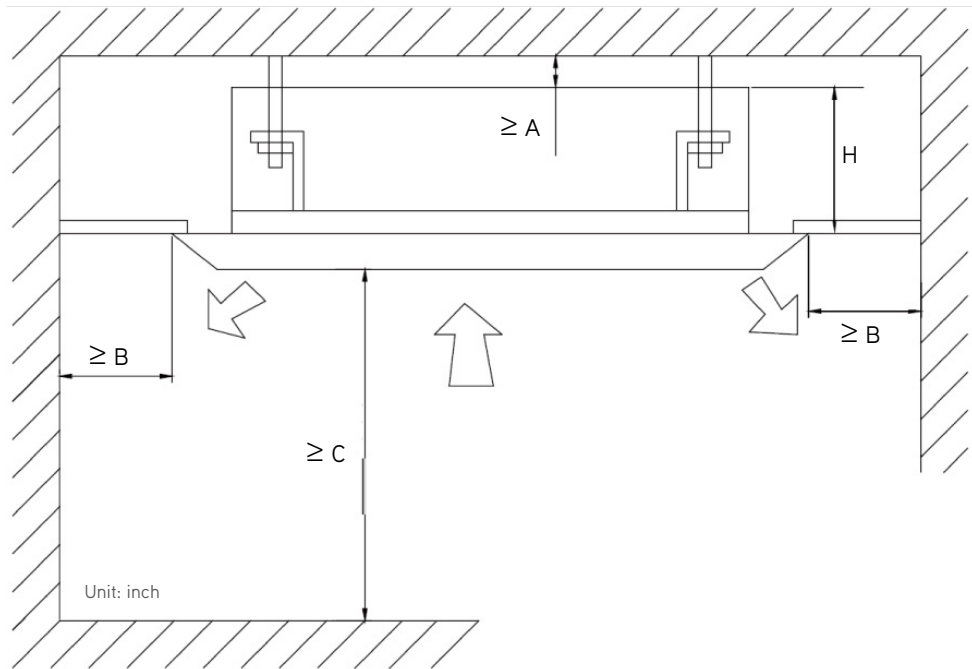


# CLEARANCES

## INDOOR UNIT

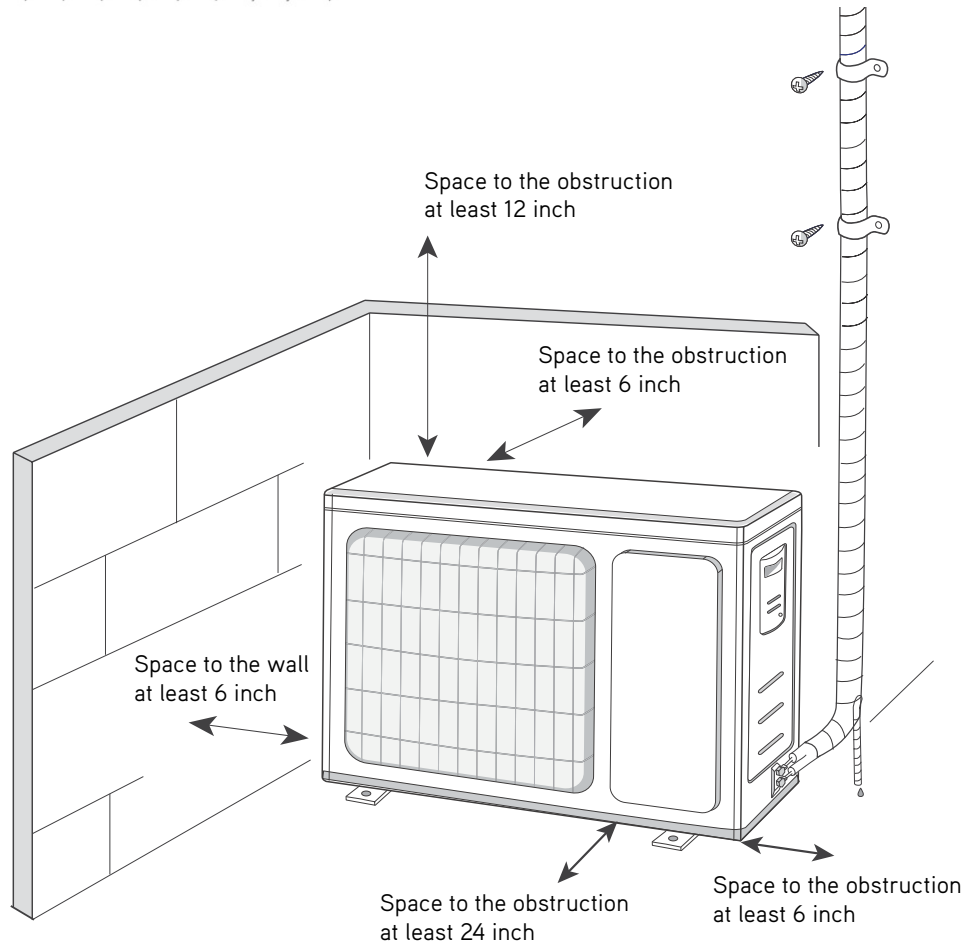
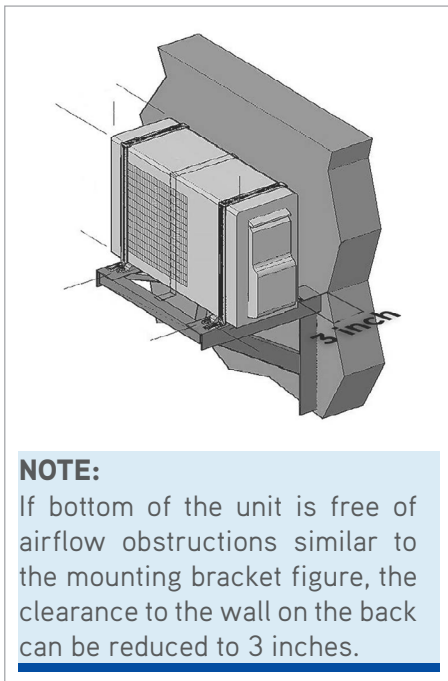
Minimum clearance

CLEARANCES	
A	7/8
B	60
C	98
H	10



## OUTDOOR UNIT

Minimum clearance



Specifications are subject to change without notice. Manufacturer reserves the right to discontinue or modify specifications or designs without notice or without incurring obligations. All Rights reserved.