



SUBMITTAL DATA

FLR12HP230V1BF / 3VIR12HP230V1BO
12000 BTU/H Floor/Ceiling Heat Pump System

Job Name

Location

Date

Purchaser

Engineer

Submitted to

For

Unit Designation

Schedule No.



YAP1FB2F



FLR12HP230V1BF



3VIR12HP230V1BO



XE72

GENERAL FEATURES

- AHRI Certificate: [211726654](#)
- Quiet Operation and Multi-Speed Fan
- Floor Stand or Ceiling Mount
- Multi-Directional Air Flow
- Wireless Remote with LCD Display Included
- XE72 Wi-Fi Wired Controller Included
- Low Ambient Cooling down to -20°F (Range -20°F to 122°F)
- Low Ambient Heating down to -22°F (Range -22°F to 86°F)
- Coil (Indoor and Outdoor) Copper Tube / Aluminum Fin
- Blue Colored Fin - 500 Hrs Salt Spray Tested

SPECIFICATIONS, FEATURES & FUNCTION SUMMARY

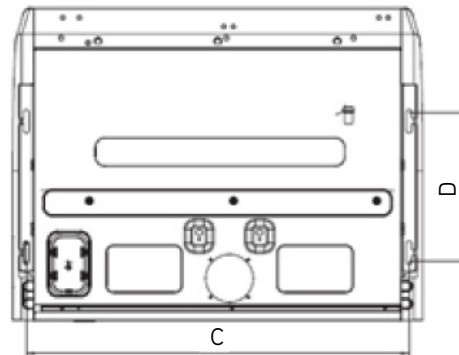
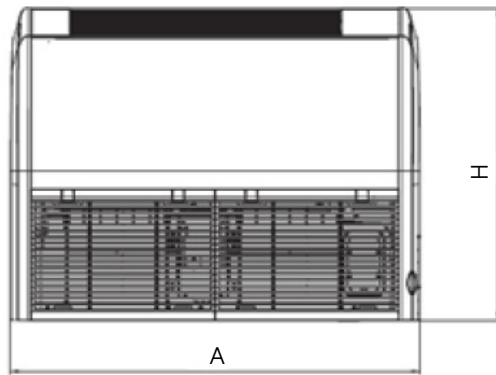
SPECIFICATIONS		FLR12HP230V1BF / 3VIR12HP230V1BO		FEATURES & FUNCTIONS SUMMARY		FLR12HP230V1BF / 3VIR12HP230V1BO	
System Type		HEAT PUMP					
SYSTEM PERFORMANCE				SYSTEM FEATURES			
Cooling	Min - Max	Btu/h	900 - 14100	Inverter Type	G10		
	Capacity @95°F	Btu/h	11900	Ultra Low Frequency Torque Control	Yes		
Heating	Min - Max	Btu/h	900 - 15500	Power Factor Correction	Yes		
	Capacity @5°F	Btu/h		Compressor Type - Inverter	High Efficiency Rotary		
	Capacity @17°F	Btu/h		Basepan With Electric Heater	Yes		
	Capacity @47°F	W	13100	Indoor & Outdoor Fin Coating (Blue Fin)	Yes		
SEER2			18.5	Intelligent Defrosting	Yes		
EER2			11.5	Intelligent Preheating	Yes		
HSPF2			8.5	Low Voltage Startup	Yes		
COP @5°F				Memory/Power Failure Recovery	Yes		
COP @47°F			3.5	Self Diagnosis	Yes		
Cooling Temperature Range	°F	-20 - 122		Wired Controller Interface	Yes		
Heating Temperature Range	°F	-22 - 86		WiFi Included	No		
Refrigerant Type			R410A	Indoor Fan Type	Centrifugal		
INDOOR UNIT		FLR12HP230V1BF		Multi Fan Speeds	4 Speeds		
Air flow (Min-Max)	CFM	257 - 412		Indoor Unit Display	Yes		
Sound Pressure Level (Min - Max)	dB(A)	26 - 38		Auxiliary Electrical Heater	No		
Dehumidification	pt/hr	3.0		Ventilation (Outdoor Air)	No		
External Dimensions (W x H x D)	in	34-1/4 x 26-1/4 x 9-1/4		REMOTE CONTROLLER FUNCTIONS			
Package Dimension (W x H x D)	in	40-1/2 x 30-1/4 x 11-1/4		Auto Mode	Yes		
Net Weight	lbs	55.0		Auto Fan	Yes		
Gross Weight	lbs	66.2		Auto Swing (Horizontal Auto Swing)	No		
OUTDOOR UNIT		3VIR12HP230V1BO		Auto Swing (Vertical Auto Swing)	Yes		
Compressor Type			GREE G-10 / 2 - STAGE INVERTER	Clock	Yes		
Sound Pressure Level	dB(A)	52		Dry Mode	Yes		
External Dimensions (W x H x D)	in	31-5/8 x 21-7/8 x 13-13/16		Dry Anti-Mildew (X-Fan) Mode	Yes		
Package Dimension (W x H x D)	in	34-3/8 x 24-7/16 x 15-11/16		Energy Saving Mode	Yes		
Net Weight	lbs	70.6		Dirty Filter Alert	No		
Gross Weight	lbs	76.1		Fan Speed Control (4 Speeds)	Yes		
REFRIGERANT PIPING				I Feel Function	Yes		
Refrigerant Charge - R410A	oz	42.3		Privacy Lock	Yes		
Additional Charge	oz/ft	0.2		Quiet Mode	Yes		
Line Set Size by Indoor Unit (Liquid - Gas)	in	1/4 - 1/2		Room Temperature Display	No		
Outdoor Service Valve Size (Liquid - Gas)	in	1/4 - 1/2		Sleep Mode (Normal Sleep)	Yes		
Pre-Charge Length	ft	25		4 Sleep Mode Options	No		
Pipe Length (Min - Max)	ft	10 - 66		Timer Mode	Yes		
Max. Pipe Elevation	ft	40		Turbo Mode	Yes		
ELECTRICAL				Display On/Off Control	Yes		
Power Supply	208-230V / 1Ph / 60Hz (Powered by the Outdoor Unit)			Freeze Guard Mode	Yes		
Voltage Range (Min - Max)	VAC	187 - 253		Power Failure Mode	Yes		
Rated Current - Cooling	A	6.3					
Rated Current - Heating	A	6.7					
MCA	A	10					
MOCP	A	15					
Suggested Breaker Size	A	15					
Main Power Wire Size	AWG	Per Local Code					
Interconnecting Wire Size	AWG	14 / 4					

DIMENSIONS

INDOOR UNIT

Unit: inch

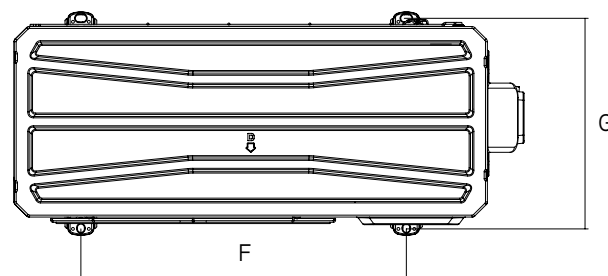
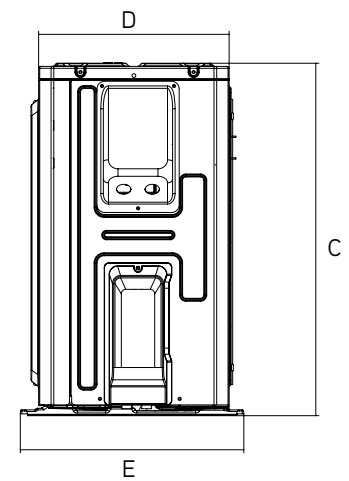
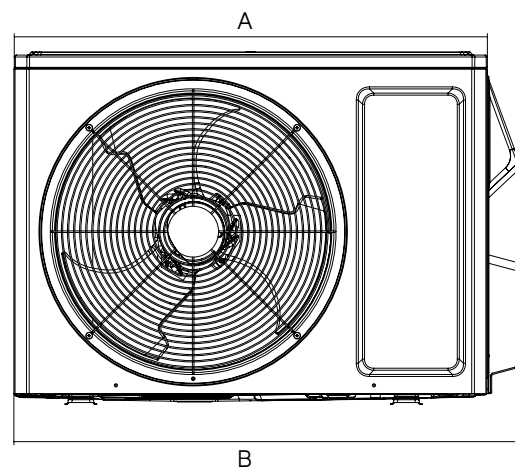
FLR12HP230V1BF	
DIMENSIONS	
A	34-1/4
B	9-1/4
C	32
D	12-1/2
H	26-1/4



OUTDOOR UNIT

Unit: inch

3VIR12HP230V1B0	
DIMENSIONS	
A	29-21/64
B	31-37/64
C	21-27/32
D	11-13/16
E	13-25/32
F	20-5/32
G	13-5/64

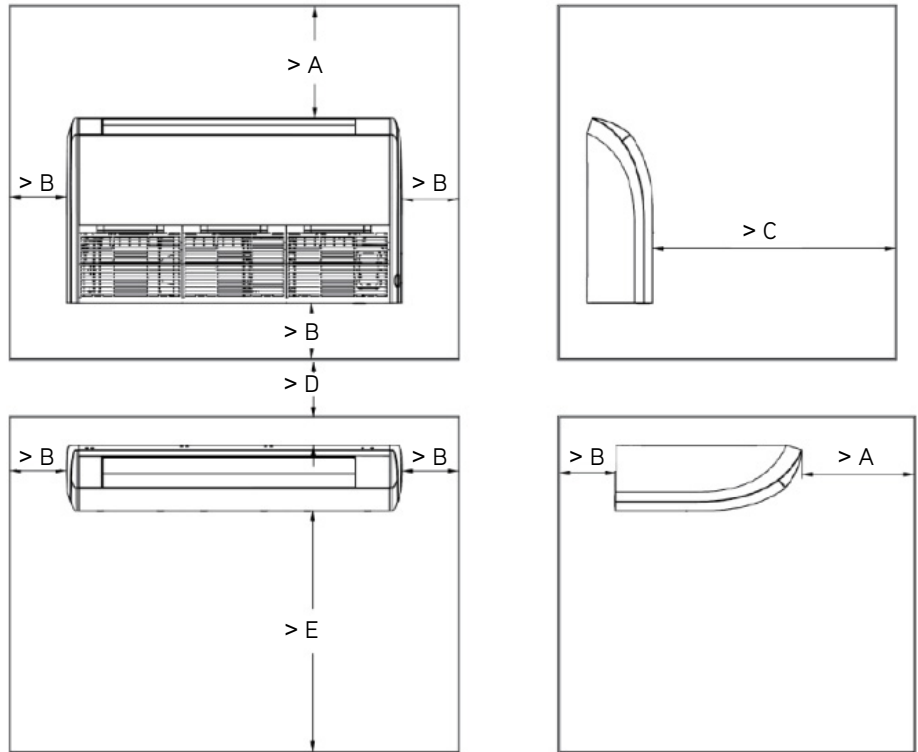


CLEARANCES

INDOOR UNIT

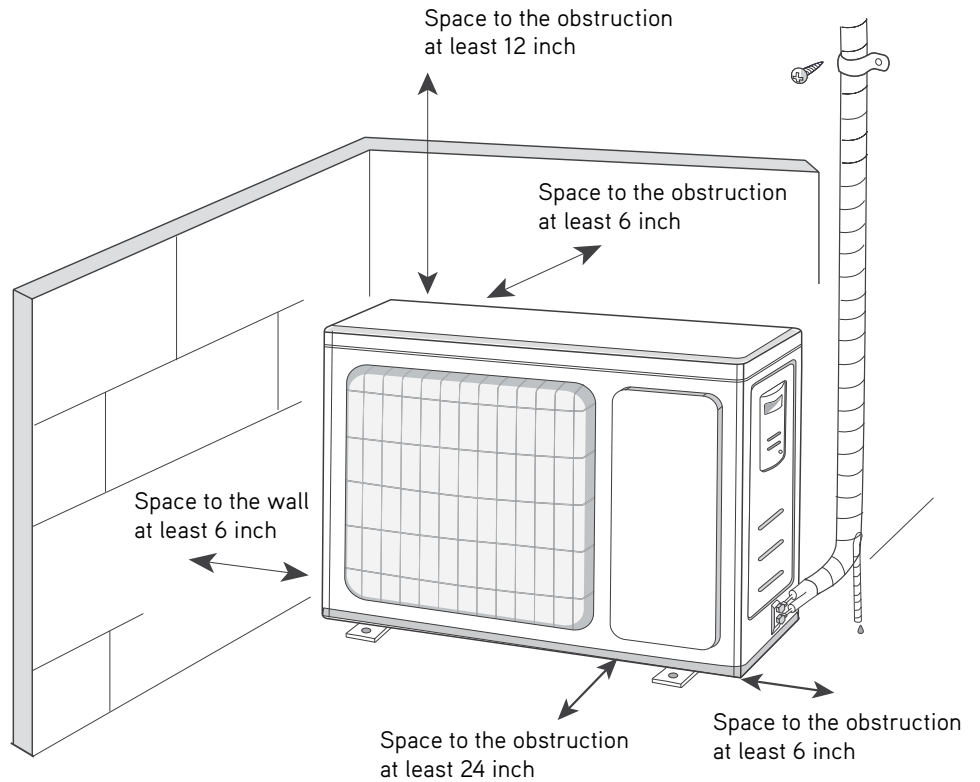
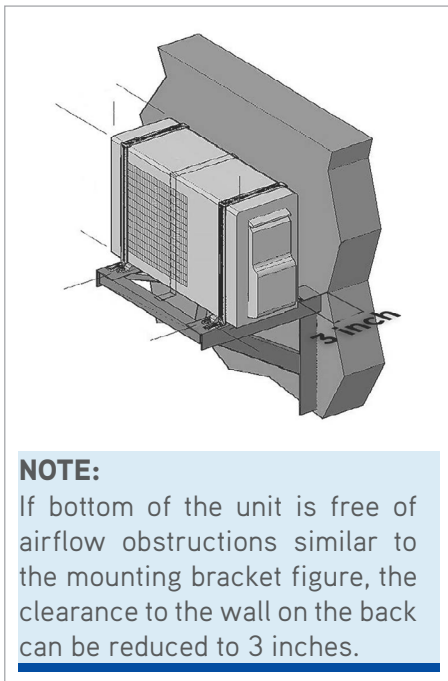
Minimum clearance

DIMENSIONS	
A	60
B	12
C	39
D	6
E	90



OUTDOOR UNIT

Minimum clearance



Specifications are subject to change without notice. Manufacturer reserves the right to discontinue or modify specifications or designs without notice or without incurring obligations. All Rights reserved.