



SUBMITTAL DATA: FLR18HP230V1BF 18000 BTU/H Floor/Ceiling Heat Pump System

Job Name	Location	Date
Purchaser	Engineer	
Submitted To	For	
Unit Designation	Schedule No.	

YT1F / XK19 FLR18HP230V1BF 3VIR18HP230V1AO



(Optional)



GENERAL FEATURES

- AHRI Certificate: [207201632](#)**
- High Efficiency DC Inverter Technology**
- Quiet Operation and Multi-Speed Fan**
- Floor Stand or Ceiling Mount**
- Multi-Directional Air Flow**
- Wireless Remote with LCD Display Included**
- XK19 Wired Controller Included**
- Low Ambient Cooling down to -20°F (Range -20°F to 122°F)**
- Low Ambient Heating down to -22°F (Range -22°F to 86°F)**
- Coil (Indoor and Outdoor) Copper Tube / Aluminum Fin***
- * (Blue Fin) 500 Hrs Salt Spray Tested**

Limited 5 Years Parts & 7 Years Compressor Warranty (Residential Only)

SPECIFICATIONS

3VIR18HP230V1AO / FLR18HP230V1BF

System Type		HEAT PUMP	
SYSTEM PERFORMANCE			
Cooling	Rated Capacity @ 95°F	Btu/h	18000
	Min-Max Capacity	Btu/h	5100 - 21154
Heating	Rated Capacity @ 47°F	Btu/h	18200
	Rated Capacity @ 17°F	Btu/h	12700
	Min-Max Capacity	Btu/h	5800 - 21495
SEER / EER		15 / 10.25	
HSPF / COP		8.5 / 2.6	
Energy Star®		NO	
Cooling Temperature Range		°F	-20 - 122
Heating Temperature Range		°F	-22 - 86
INDOOR UNIT		FLR18HP230V1BF	
Fan Motor Output Power		W	15
Fan Motor FLA		amps	0.9
Air Flow (Min - Max)		CFM	241 - 400
Sound Pressure Level (Cooling / Heating)		dB(A)	27 - 38
Dehumidification		pt/hr	3.8
Condensate Drain Size (OD)		in	11/16
Unit Dimension (WxHxD)		in	34 1/4 X 26 1/4 X 9 1/4
Package Dimension (WxHxD)		in	40 1/2 X 30 1/4 X 11 1/4
Weight (Net / Gross)		lbs	66.3 / 67.3
OUTDOOR UNIT		3VIR18HP230V1AO	
Compressor Type		G-10 / 1-Stage Inverter	
Compressor RLA		amps	10.4
Fan Motor Output Power		W	60
Fan Motor RLA		amps	0.45
Sound Pressure Level (Cooling / Heating)		dB(A)	57
Unit Dimension (WxHxD)		in	38 X 27 5/8 X 15 5/8
Package Dimension (WxHxD)		in	40 1/2 X 29 X 18
Weight (Net / Gross)		lbs	103.6 / 113.6
Refrigerant Charge - R410A		oz	56.4
Coil Type		Aluminum Fin / Copper Tube	
REFRIGERANT PIPING			
Indoor Unit Line Set Size (Liquid - Gas)*		in	1/4 - 1/2
Outdoor Unit Line Set Size (Liquid - Gas)		in	1/4 - 5/8
Pre-Charge Lengh		ft	25
Pipe Length (Min - Max)		ft	10 / 98
Max. Pipe Elevation		ft	66
ELECTRICAL			
Power Supply (Voltage Operating Range)		208-230V / 1Ph / 60Hz	
Rated Current (Cooling / Heating)		amps	6 / 12
MCA / MOCP		amps	15 / 20
Main Power Wire Size		AWG	Size Per Local Code
Interconnecting Wire Size		AWG	14 / 4
LIMITED WARRANTY		5 Years Parts and 7 Years Compressor - Residential	

* System line sets are to be sized to the indoor line sizes

EXTENDED RATINGS

FLR18HP230V1BF

COOLING PERFORMANCE						HEATING PERFORMANCE				
Outdoor Ambient Temperature (DB)		Return Air Temperature				Outdoor Ambient Temperature (DB)		Return Air Temperature		
		80°F (DB)						70°F (DB)		
		TC (Btu/h)	SHR	EER	Power Input (W)			TC (Btu/h)	COP	Power Input (W)
MAX OUTPUT	-20°F	7489	4568	2.30	955	MAX OUTPUT	-22°F	12100	1.35	2621.3
	-15°F	7801	4758	2.36	970		-20°F	12399	1.37	2643.8
	-10°F	8126	4957	2.41	990		-15°F	12745	1.40	2675.7
	-5°F	8464	5163	2.44	1015		-10°F	13094	1.42	2695.9
	0°F	8817	5378	2.45	1055		-5°F	13434	1.45	2720.2
	5°F	9281	5753	2.50	1090		0°F	13997	1.50	2731.3
	10°F	9723	6028	2.54	1120		5°F	14556	1.56	2740.2
	15°F	10024	6215	2.58	1140		10°F	15489	1.65	2746.3
	20°F	10260	6361	2.58	1165		15°F	16364	1.74	2751.6
	25°F	10469	6491	2.59	1185		17°F	17353	1.84	2757.4
	30°F	10793	6692	2.61	1210		20°F	17725	1.97	2637.0
	35°F	11243	7195	2.64	1250		25°F	18097	2.03	2612.8
	40°F	11711	7495	2.66	1290		30°F	18469	2.25	2405.8
	45°F	12199	7807	2.72	1315		35°F	18841	2.37	2328.1
	50°F	12576	8049	2.73	1350		40°F	18615	2.44	2236.0
	55°F	13100	8412	2.78	1380		45°F	18413	2.61	2067.6
	60°F	14778	9606	2.74	1580		47°F	18200	2.60	2051.6
	65°F	15556	10111	2.80	1630		50°F	18546	2.68	2031.2
	70°F	16375	10644	2.91	1650		55°F	18916	2.75	2012.7
	75°F	16879	10941	2.96	1670		60°F	18645	2.97	1840.0
	80°F	18322	11909	3.01	1785		65°F	17117	2.94	1707.5
	85°F	20058	13236	2.98	1970		70°F	16321	2.92	1638.4
	90°F	19917	13079	2.95	1980		75°F	15499	2.86	1587.3
	95°F	18000	11880	3.00	1760		80°F	14877	2.79	1563.7
	100°F	19476	12854	2.91	1960		86°F	13259	2.71	1433.6
	105°F	18307	12449	2.71	1980					
110°F	16843	11453	2.52	1960						
115°F	15159	10308	2.33	1910						
120°F	12127	8246	2.02	1760						
122°F	10065	6945	1.89	1560						

LEGEND: W - Watts
 DB - Dry Bulb
 TC - Total Capacity
 SHR - Sensible Heat Ratio
 COP - Coefficient of Performance

FEATURES & FUNCTIONS SUMMARY

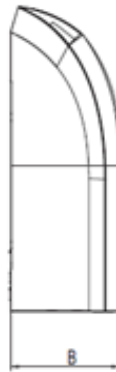
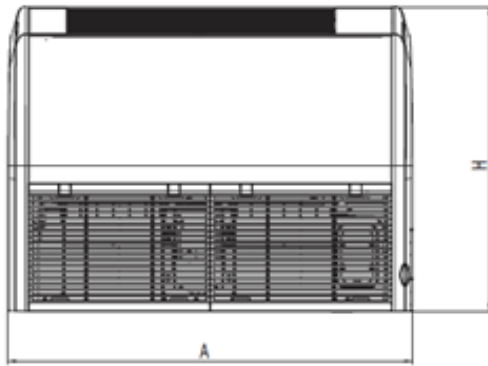
3VIR18HP230V1AO / FLR18HP230V1BF

SYSTEM FEATURES

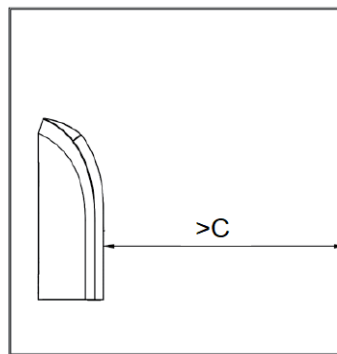
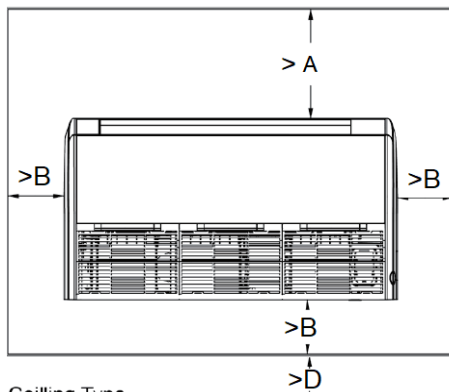
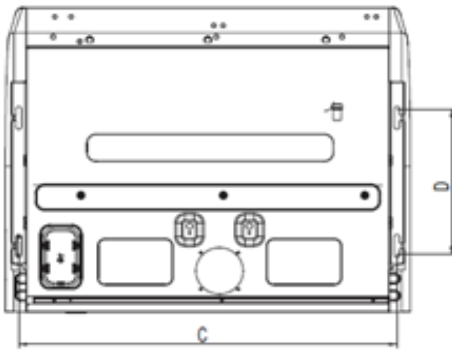
Inverter Type	G10
Ultra Low Frequency Torque Control	Yes
Power Factor Correction	Yes
Compressor Type - Inverter	High Efficiency Rotary
Basepan With Electric Heater	Yes
Indoor & Outdoor Fin Coating (Blue Fin)	Yes
Intelligent Defrosting	Yes
Intelligent Preheating	Yes
Low Voltage Startup	Yes
Memory/Power Failure Recovery	Yes
Self Diagnosis	Yes
Wired Controller Interface	Yes
WiFi Included	No
Indoor Fan Type	Centrifugal
Multi Fan Speeds	4 Speeds
Indoor Unit Display	Yes
Auxiliary Electrical Heater	No
Ventilation (Outdoor Air)	No

REMOTE CONTROLLER FUNCTIONS

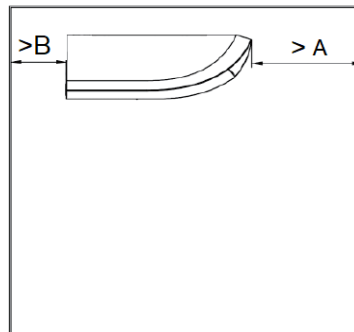
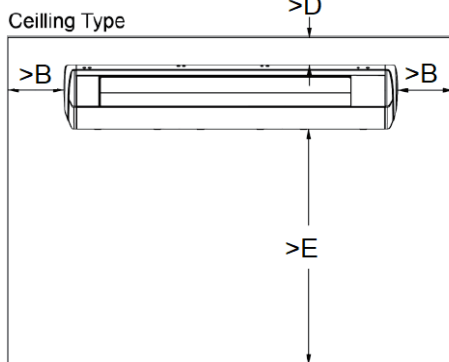
Auto Mode	Yes
Auto Fan	Yes
Auto Swing - (Horizontal Auto Swing)	No
Auto Swing - (Vertical Auto Swing)	Yes
Clock	Yes
Dry Mode	Yes
Dry Anti-Mildew (X-Fan) Mode	Yes
Energy Saving Mode	Yes
Dirty Filter Alert	No
Fan Speed Control (4 Speeds)	Yes
I Feel Function	Yes
Privacy Lock	Yes
Quiet Mode	Yes
Room Temperature Display	No
Sleep Mode (Normal Sleep)	Yes
4 Sleep Mode Options	No
Timer Mode	Yes
Turbo Mode	Yes
Display On/Off Control	Yes
Freeze Guard Mode	Yes
Power Failure Mode	Yes

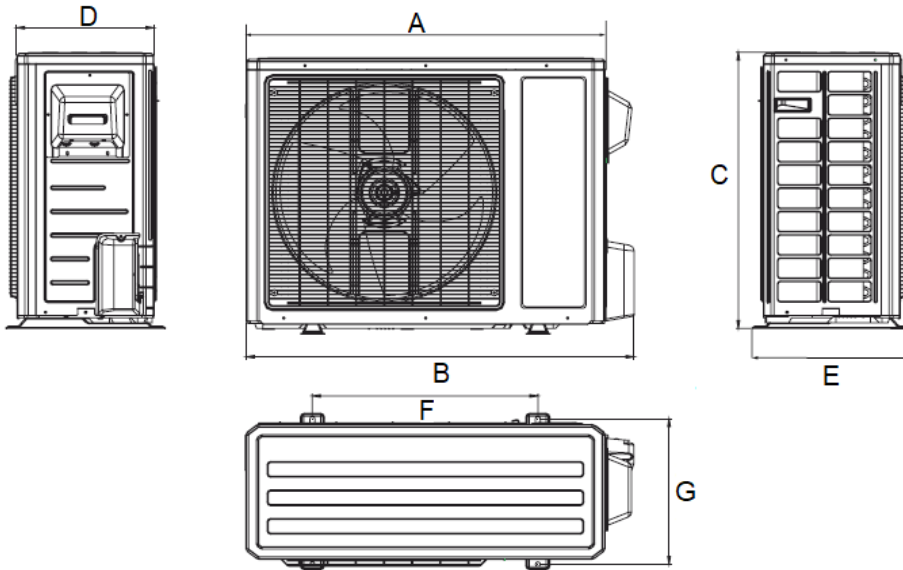


Dimensions	
A	34 1/4
B	9 1/4
C	32
D	12 1/2
H	26 1/4

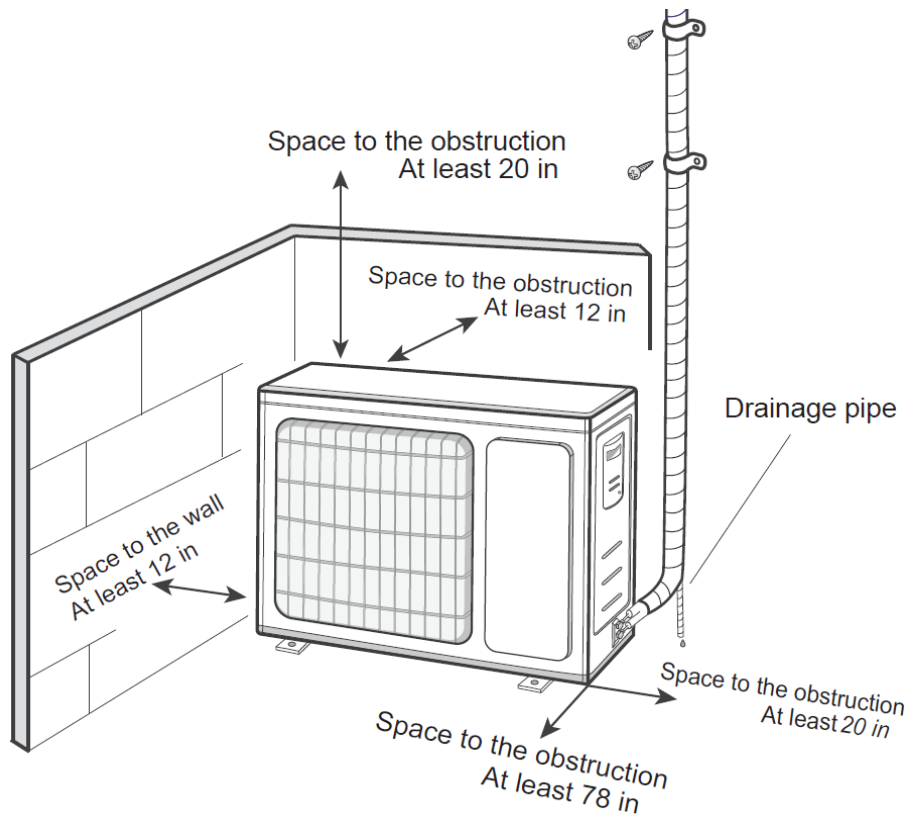


Dimensions	
A	60
B	12
C	39
D	6
E	90





Dimensions	
A	35
B	38
C	27 5/8
D	13 7/16
E	15 5/8
F	22
G	14 5/16



Specifications are subject to change without notice. Manufacturer reserves the right to discontinue or modify specifications or designs without notice or without incurring obligations. All Rights reserved.