



Air comfort for all

vireo+ ULTRA



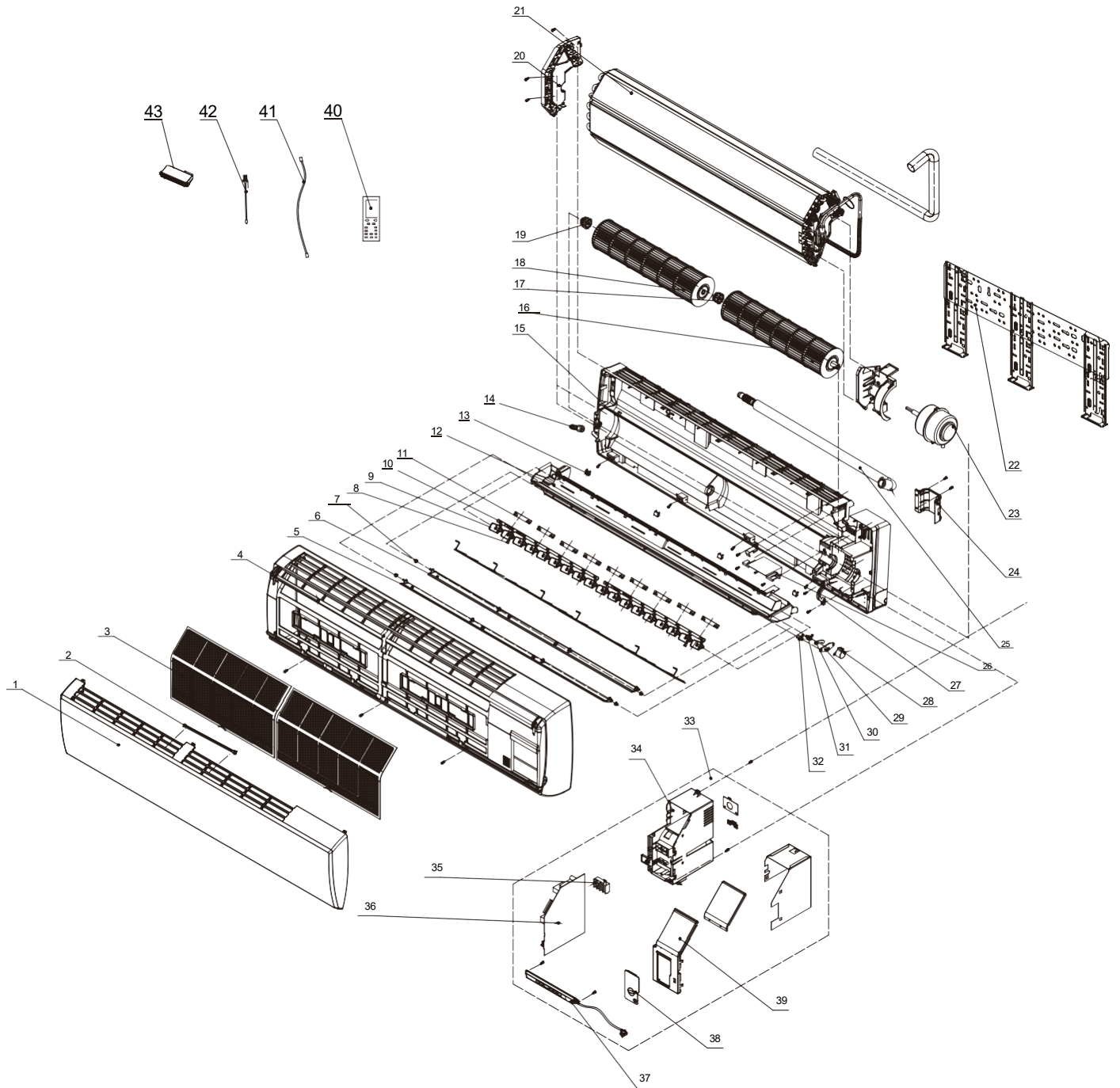
## Parts Manual

Models:

**VIRU30HP230V1AH**  
**VIRU36HP230V1AH**  
(Refrigerant R410A)

**GREE ELECTRIC APPLIANCES, INC. OF ZHUHAI**

VIRU36HP230V1AH VIRU30HP230V1AH



The component picture is only for reference; please refer to the actual product.





VIRU36HP230V1AH



NO.	Part Description	Qty	Part Code
1	Front Panel	1	20000300022S
2	Stand Bar	1	2421212001
3	Filter Sub-Assy	2	1112210601
4	Front Case Sub-Assy	1	20900700005
5	Upper Guide Louver	1	001051216601
6	Lower Guide Louver	1	001051216701
7	Axile Bush	6	000010542704
8	Air Louver 2	2	1051216902
9	Air Louver 1	16	1051216802
10	Connecting Rod	2	00000010582086
11	Louver Clamp	9	000026112158
12	Water Tray	1	2018213802
13	Screw Cover	4	2425200506
14	Rubber Plug (Water Tray)	1	76712012
15	Rear Case Assy	1	00000100113
16	Cross Flow Fan 1	1	10352039
17	Bearing Holder Sub-Assy	1	26152028
18	Cross Flow Fan 2	1	10352040
19	O-Gasket Sub-Assy of Bearing	1	76512051
20	Left Evaporator Support	1	24212041
21	Evaporator Assy	1	01100100014001
22	Wall Mounting Frame	1	01252398
23	Fan Motor	1	1501213401
24	Pipe Clamp	1	26112071
25	Drainage Hose	1	0523001404
26	Cover Plate	1	2012212402
27	Motor Fixed Clip 1	1	26112324
28	Stepping Motor	1	1521210701
29	Press Plate (Crank)	1	26112070
30	Crank-guide	1	10582041
31	Upper Crank	1	10562004
32	Lower Crank	1	10562005



VIRU36HP230V1AH



No.	Part Description	Qty	Part Code
33	Electric Box Assy	1	100002003292
34	Electric Box	1	201022502
35	Terminal Board	1	42011233
36	Main Board	1	30138001017
37	Display Board	1	30565277
38	Electric Box Cover	1	201022523
39	Electric Box Cover	1	2011204404S
40	Remote Controller	1	305001000085
41	Temperature Sensor	1	390000592
42	Temperature Sensor	1	390000453
43	Detecting Plate (WIFI)	1	30070077



VIRU30HP230V1AH



NO.	Part Description	Qty	Part Code
1	Front Panel	1	20000300022S
2	Stand Bar	1	2421212001
3	Filter Sub-Assy	1	1112210602
4	Front Case Sub-Assy	1	20900700005
5	Upper Guide Louver	1	001051216601
6	Lower Guide Louver	1	001051216701
7	Axile Bush	1	000010542704
8	Air Louver 2	1	1051216902
9	Air Louver 1	1	1051216802
10	Connecting Rod	1	00000010582086
11	Louver Clamp	1	000026112158
12	Water Tray	1	2018213802
13	Screw Cover	1	2425200506
14	Rubber Plug (Water Tray)	1	76712012
15	Rear Case Assy	1	00000100113
16	Cross Flow Fan 1	1	10352039
17	Bearing Holder Sub-Assy	1	26152028
18	Cross Flow Fan 2	1	10352040
19	O-Gasket Sub-Assy of Bearing	1	76512051
20	Left Evaporator Support	1	24212041
21	Evaporator Assy	1	01100100014001
22	Wall Mounting Frame	1	01252398
23	Fan Motor	1	1501213401
24	Pipe Clamp	1	26112071
25	Drainage Hose	1	0523001404
26	Cover Plate	1	2012212402
27	Motor Fixed Clip 1	1	26112324
28	Stepping Motor	1	1521210701
29	Press Plate (Crank)	1	26112070
30	Crank-guide	1	10582041
31	Upper Crank	1	10562004
32	Lower Crank	1	10562005

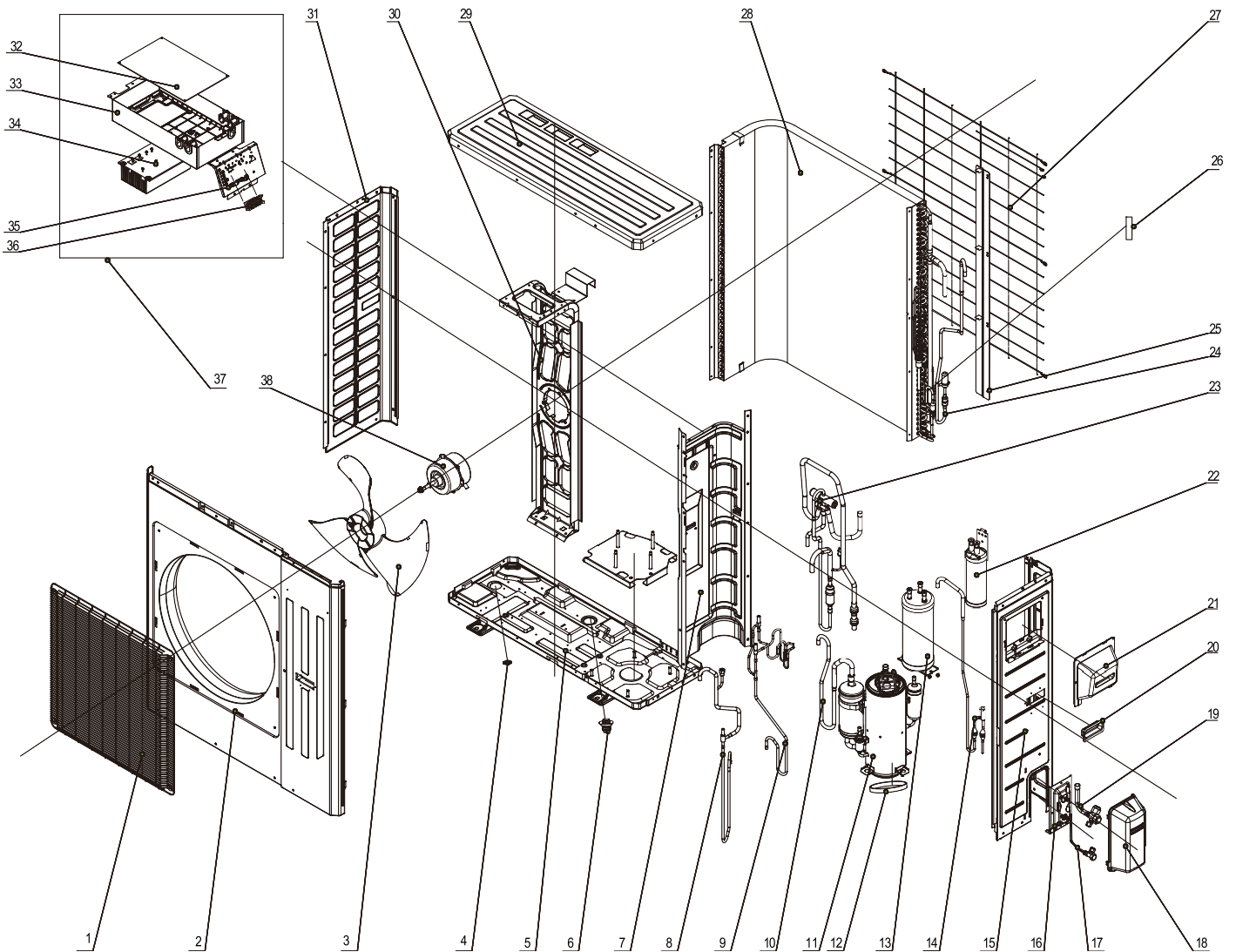


VIRU30HP230V1AH



No.	Part Description	Qty	Part Code
33	Electric Box Assy	1	100002003292
34	Electric Box	1	201022502
35	Terminal Board	1	42011233
36	Main Board	1	30138001017
37	Display Board	1	30565277
38	Electric Box Cover	1	201022523
39	Electric Box Cover	1	2011204404S
40	Remote Controller	1	305001000085
41	Temperature Sensor	1	390000592
42	Temperature Sensor	1	390000453
43	Detecting Plate (WIFI)	1	30070077

VIRU36HP230V1AO VIRU30HP230V1AO



The component picture is only for reference; please refer to the actual product.





VIRU36HP230V1AO



NO.	Part Description	Qty	Part Code
1	Front Grille	1	1574106
2	Cabinet	1	01435007P
3	Axial Flow Fan	1	10335014
4	Drainage hole Cap	1	76715005
5	Electrical Heater (Chassis)	1	7651000413
6	Drainage Joint	1	000026113009
7	Clapboard Sub-Assy	1	000124525304
8	Magnet Valve Sub-Assy	1	030025000055
9	Magnet Valve Sub-Assy	1	030025000056
10	Inhalation Tube Sub-Assy	1	00030010000570
11	Compressor and Fittings	1	000204100030
12	Electrical Heater (Compressor)	1	7651873209
13	Accumulator	1	07424100031
14	Electronic Expansion Valve B	1	030174000139
15	Right side plate	1	01738000055
16	Valve Support Sub-Assy	1	01805200222P
17	Cut off Valve Sub-Assy	1	030057000153
18	Valve Cover	1	22245005
19	Cut off Valve	1	07133157
20	Handle	1	2623305301
21	Handle Assy	1	02113109
22	Gas-liquid Separator	1	07223048
23	4-Way Valve Assy	1	030152000370
24	Baffle Plate Sub-Assy	1	01355200016P
25	Electronic Expansion Valve A	1	030174000138
26	Temperature Sensor 2 (20k)	1	3900007201
27	Rear Grill	1	01475012
28	Condenser Assy	1	011002000628
29	Top Cover	1	0125500901P
30	Motor Support Sub-Assy	1	017012000155
31	Left Side Plate	1	01305064P
32	Main Board	1	300027000042





VIRU36HP230V1AO



No.	Part Description	Qty	Part Code
33	Electric Box Sub-Assy	1	017007000632
34	Radiator	1	43003400001601
35	Terminal Board Support sub	1	01715016
36	Terminal Board	1	420001000004
37	Electric Box Assy	1	100002003294
38	Brushless DC Motor	1	15010400000102
NS	Sensor Assy (15K,20K,50K)	1	3900825401G
NS	High Pressure Switch	1	4602000603
NS	Low Pressure Switch	1	46020003



VIRU30HP230V1AO



NO.	Part Description	Qty	Part Code
1	Front Grille	1	01574106
2	Cabinet	1	01435007P
3	Axial Flow Fan	1	10335014
4	Drainage hole Cap	1	76715005
5	Electrical Heater (Chassis)	1	7651000413
6	Drainage Joint	1	000026113009
7	Clapboard Sub-Assy	1	000124525304
8	Magnet Valve Sub-Assy	1	030025060028
9	Magnet Valve Sub-Assy	1	030025060027
10	Inhalation Tube Sub-Assy	1	030010060043
11	Compressor and Fittings	1	009001000013
12	Electrical Heater (Compressor)	1	7651873209
13	Accumulator	1	07424100031
14	Electronic Expansion Valve B	1	030174060018
15	Right side plate	1	01738000055
16	Valve Support Sub-Assy	1	01805200222P
17	Cut off Valve Sub-Assy	1	030057000153
18	Valve Cover	1	22245005
19	Cut off Valve	1	07133157
20	Handle	1	2623305301
21	Handle Assy	1	02113109
22	Gas-liquid Separator	1	07223048
23	4-Way Valve Assy	1	030152060015
24	Baffle Plate Sub-Assy	1	01355200016P
25	Electronic Expansion Valve A	1	030174000138
26	Temperature Sensor 2 (20k)	1	3900007201
27	Rear Grill	1	01475012
28	Condenser Assy	1	011002060047
29	Top Cover	1	0125500901P
30	Motor Support Sub-Assy	1	017012000155
31	Left Side Plate	1	01305064P
32	Main Board	1	300027000519



VIRU30HP230V1AO



No.	Part Description	Qty	Part Code
33	Electric Box Sub-Assy	1	017007000632
34	Radiator	1	43003400001601
35	Terminal Board Support sub	1	01715016
36	Terminal Board	1	420001000004
37	Electric Box Assy	1	100002004090
38	Brushless DC Motor	1	15010400000102
NS	Sensor Assy (15K,20K,50K)	1	3900825401G
NS	High Pressure Switch	1	4602000603
NS	Low Pressure Switch	1	46020003

