

## SUBMITTAL DATA

GK-H04TC/NaA-T(U)  
48000 BTU/H Packaged Heat Pump System

Job Name	Location	Date
Purchaser	Engineer	
Submitted to	For	
Unit Designation	Schedule No.	



GK-H04TC/NaA-T(U)

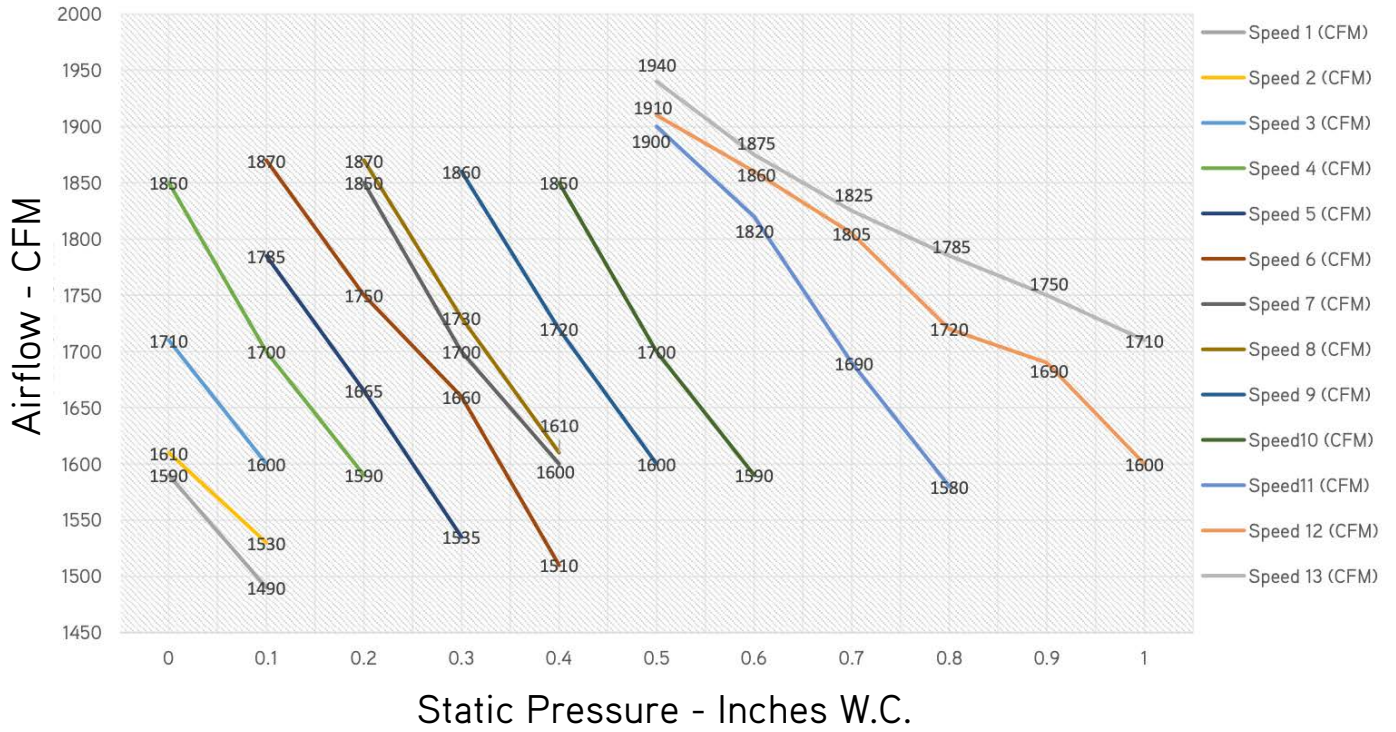
### GENERAL FEATURES

- AHRI Certificate: [213088005](#)
- High efficiency, up to 17.8 SEER2 / 8.8 HSPF2
- Cooling range: 23°F - 125°F
- Heating range: -22°F - 75°F
- Sound levels down to 65 dB(A)
- Conventional, 24 VAC thermostat control
- Eco-friendly R410A refrigerant
- Intelligent Defrost Technology
- External Static Pressure can be up to 0.8 In W.c. with electric heater, 1.0 In W.c. without electric heater
- Golden Fin Equipment - 1500 Hrs Salt Spray Rating

## SPECIFICATIONS, FEATURES & FUNCTION SUMMARY

SPECIFICATIONS		GK-H04TC/NaA-T(U)		FEATURES & FUNCTIONS SUMMARY		GK-H04TC/NaA-T(U)	
System Type		HEAT PUMP					
<b>SYSTEM PERFORMANCE</b>				<b>SYSTEM FEATURES</b>			
Cooling	Min - Max	Btu/h	-	Compressor	Inverter		
	Capacity @95°F	Btu/h	47000	Ultra Low Frequency Torque Control	Yes		
Heating	Min - Max	Btu/h	-	Power Factor Correction	Yes		
	Capacity @5°F	Btu/h	46000	Compressor Type	Rotary		
	Capacity @17°F	Btu/h	36000	Refrigerant Type	R410A		
	Capacity @47°F	Btu/h	47000	Electronic Expansion Valve (EEV)	Yes		
SEER2			17.8	Fin Coating	Acrylic Resin		
EER2			11	Intelligent Defrosting	Yes		
HSPF2			8.8	Intelligent Preheating	Yes		
COP @5°F			1.8	Low Voltage Startup	Yes		
COP @47°F			3.2	Low Ambient Cooling	Yes		
<b>OUTDOOR UNIT</b>		<b>GK-H04TC/NaA-T(U)</b>		24VAC Thermostat Compatible	Yes		
Cooling Temperature Range	°F	23 - 125		Indoor Fan Type	Centrifugal		
Heating Temperature Range	°F	-22 - 75		Multi Fan Speeds	Yes		
Refrigerant Type	R410A			Auxiliary Electrical Heater	Optional		
Refrigerant Charge	oz	236.4					
Compressor Type	Inverter Rotary						
Sound Pressure Level	A	65					
External Static Pressure ( Min - Max)	In W.c.	0 - 0.8					
Drain Connection Size	in	3/4					
External Dimensions (W x H x D)	in	44 x 49-1/4 x 44					
Package Dimension (W x H x D)	in	44-5/8 x 50-13/16 x 44-5/8					
Net Weight	lbs	628					
Gross Weight	lbs	650					
<b>ELECTRICAL</b>							
Power Supply	208-230V / 1Ph / 60Hz						
MCA	A	39.1					
MOCP	A	45					
Control Voltage	VAC	24					
Main Power Wire Size	AWG	Per Local Code					
Interconnecting Wire Size	AWG	18/2 Stranded. Shielding Recommended.					

## FAN PERFORMANCE WITHOUT ELECTRIC HEATER

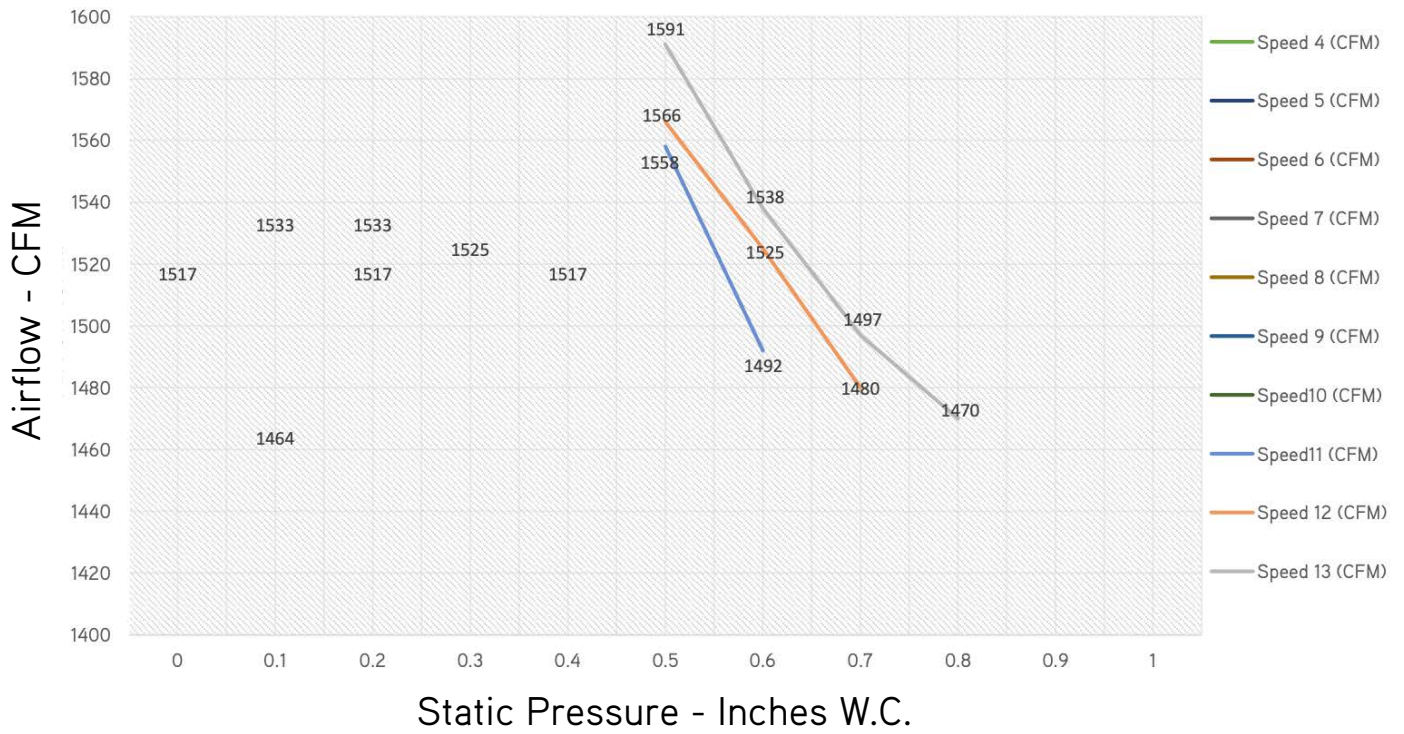


Static Pressure (Inches W.C.)	0	0.1	0.2	0.3	0.4	0.5	0.6	0.7	0.8	0.9	1		
Speed 1 (CFM)	1590	1490											
Speed 2 (CFM)	1610	1530											
Speed 3 (CFM)	1710	1600											
Speed 4 (CFM)	1850	1700	1590										
Speed 5 (CFM)		1785	1665	1535									
Speed 6 (CFM)		1870	1750	1660	1510								
Speed 7 (CFM)			1850	1700	1600								
Speed 8 (CFM)			1870	1730	1610								
Speed 9 (CFM)				1860	1720	1600							
Speed10 (CFM)					1850	1700	1590						
Speed11 (CFM)						1900	1820	1690	1580				
Speed 12 (CFM)							1910	1860	1805	1720	1690	1600	
Speed 13 (CFM)								1940	1875	1825	1785	1750	1710

**NOTE:**

Empty cells in the table above represent out of range static pressure and air volume

## FAN PERFORMANCE WITH ELECTRIC HEATER



Static Pressure (Inches W.C.)	0	0.1	0.2	0.3	0.4	0.5	0.6	0.7	0.8	0.9	1		
Speed 4 (CFM)	1517												
Speed 5 (CFM)		1464											
Speed 6 (CFM)			1533										
Speed 7 (CFM)				1517									
Speed 8 (CFM)					1533								
Speed 9 (CFM)						1525							
Speed10 (CFM)							1517						
Speed11 (CFM)								1558	1492				
Speed 12 (CFM)									1566	1525	1480		
Speed 13 (CFM)										1591	1538	1497	1470

### NOTE:

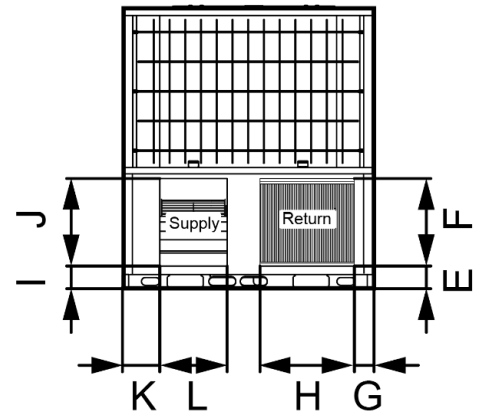
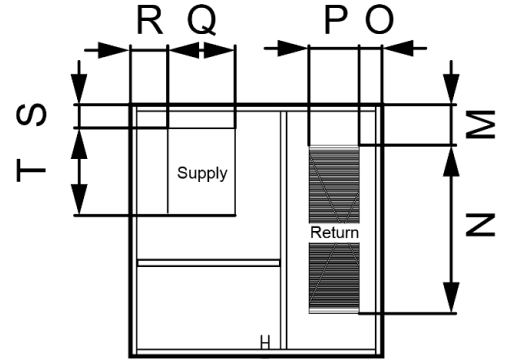
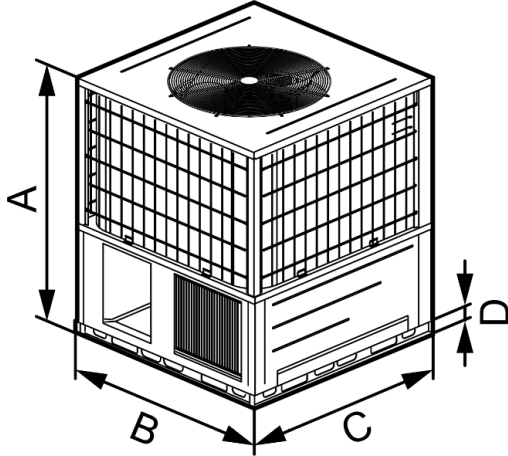
Empty cells in the table above represent out of range static pressure and air volume

# DIMENSIONS

## OUTDOOR UNIT

Unit: inch

A	B	C	D
49 - 1/4	44	44	2 - 1/2



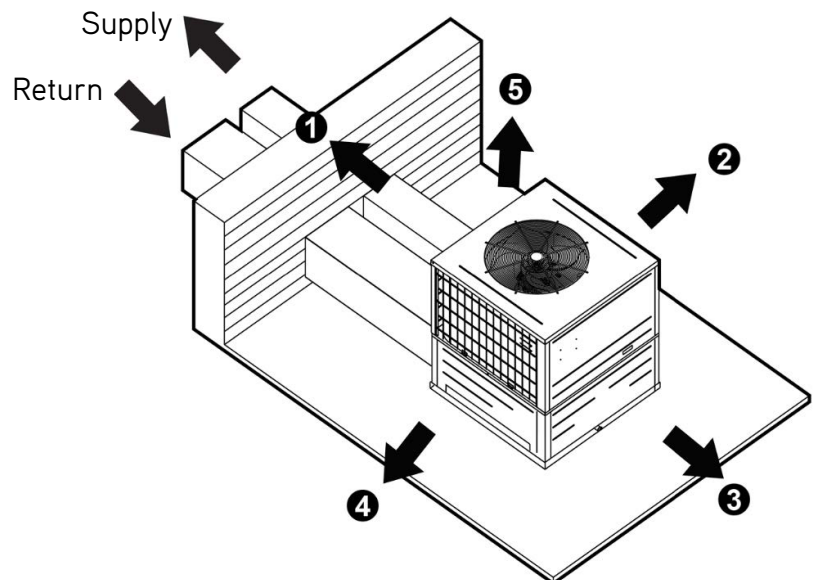
SIDE AIR VENTS							
E	SIDE OF AIR RETURN		G	I	SIDE OF AIR SUPPLY		K
	F	H			J	LA	
4	15 - 3/8	16 - 1/2	3 - 3/8	4	15 - 3/8	11 - 3/4	6 - 1/2

BOTTOM AIR VENTS							
M	SIDE OF AIR RETURN		O	R	SIDE OF AIR SUPPLY		S
	N	P			Q	T	
7 - 7/8	28	9	3 - 3/4	6 - 1/2	11 - 3/4	15 - 3/8	4

## CLEARANCES

DIMENSION (Minimum)	Installation Clearances
1	24
2	8
3	20
4	24
5	60



Specifications are subject to change without notice. Manufacturer reserves the right to discontinue or modify specifications or designs without notice or without incurring obligations. All Rights reserved.